

US00D759759S

(12) **United States Design Patent**
Woodward et al.

(10) **Patent No.:** **US D759,759 S**
(45) **Date of Patent:** **** Jun. 21, 2016**

(54) **TARGET BOX FOR A BALL THROWING GAME**

(71) Applicants: **Warren Woodward**, Chatswood (AU);
Malcolm Woodward, Chatswood (AU)

(72) Inventors: **Warren Woodward**, Chatswood (AU);
Malcolm Woodward, Chatswood (AU)

(**) Term: **14 Years**

(21) Appl. No.: **29/522,713**

(22) Filed: **Apr. 1, 2015**

(51) **LOC (10) Cl.** **21-01**

(52) **U.S. Cl.**
USPC **D21/302**

(58) **Field of Classification Search**
USPC D21/300, 302, 303, 318, 334; 273/317,
273/331, 336, 398, 400, 402, 407, 408, 410,
273/118 R, 123 R, 236, 348, 386, 287;
473/569, 578, 592, 454
CPC A63B 63/00; A63B 67/00; A63B 71/00
See application file for complete search history.

(56) **References Cited**

U.S. PATENT DOCUMENTS

823,507	A	6/1906	Carr	
2,770,460	A	11/1956	Deasy	
D214,456	S *	6/1969	Linne	D21/302
3,578,326	A *	5/1971	Brown	A63F 7/066 273/356
3,822,063	A	7/1974	Rea	
5,112,048	A *	5/1992	Kienle	A63F 7/025 273/118 R
5,169,158	A	12/1992	Neville	
5,351,968	A	10/1994	Starnes	
5,566,948	A	10/1996	Kidd	
5,775,694	A	7/1998	Jonsson	
D404,080	S *	1/1999	Parker	D21/302
6,319,145	B1 *	11/2001	Coughlan	A63B 63/00 273/407

6,554,284	B2	4/2003	Chou	
D489,769	S *	5/2004	Holgate	D21/302
6,843,478	B1	1/2005	Hoepelman	
7,207,565	B1	4/2007	Masty	
7,494,128	B2 *	2/2009	Byram	F41J 1/10 273/394
7,549,433	B2 *	6/2009	Zheng	A63B 9/00 135/126
D708,674	S *	7/2014	Gilligan	D21/302
8,888,097	B2 *	11/2014	Norrell	A63F 7/34 273/126 R
D736,320	S *	8/2015	Shadle	D21/302
D739,468	S *	9/2015	Champ	D21/302
2003/0227137	A1 *	12/2003	Girard	A63B 67/06 273/404

FOREIGN PATENT DOCUMENTS

EM 0860185 A1 8/1998

* cited by examiner

Primary Examiner — Prabhakar Deshmukh
(74) *Attorney, Agent, or Firm* — Darren Gardner

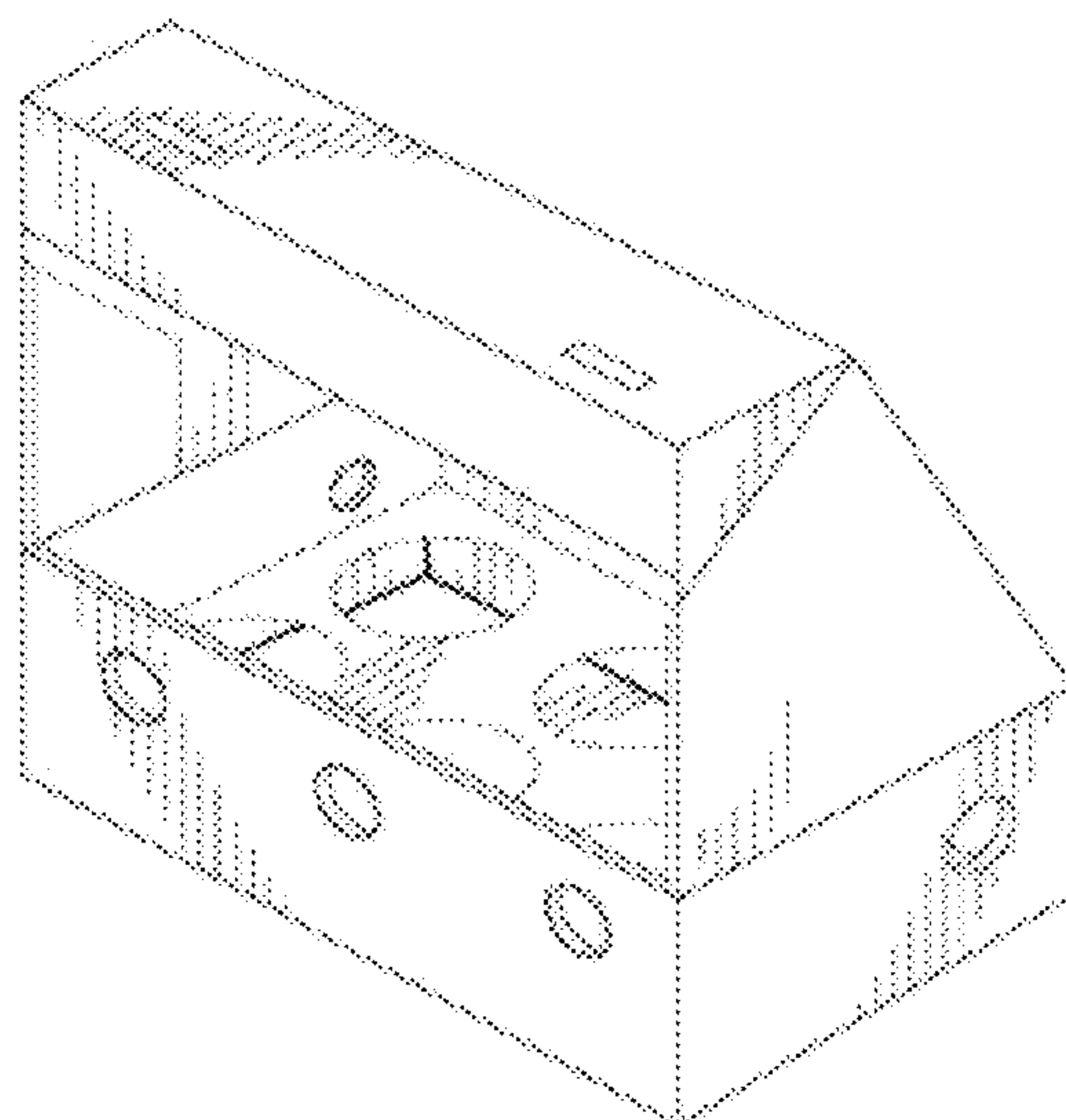
(57) **CLAIM**

The ornamental design for a target box for a ball throwing game, as shown and described.

DESCRIPTION

FIG. 1 is a perspective view of a target for a ball throwing game showing our new design;
FIG. 2 is a perspective view thereof, shown in folded position;
FIG. 3 is a front elevational view of FIG. 1;
FIG. 4 is a left side elevational view of FIG. 1;
FIG. 5 is a top plan view of FIG. 1;
FIG. 6 is a rear elevational view of FIG. 1;
FIG. 7 is a right side elevational view of FIG. 1; and,
FIG. 8 is a perspective view thereof, shown in unfolded position and the tray removed for clarity of illustration.
The broken lines in the drawing indicates fold lines.

1 Claim, 4 Drawing Sheets



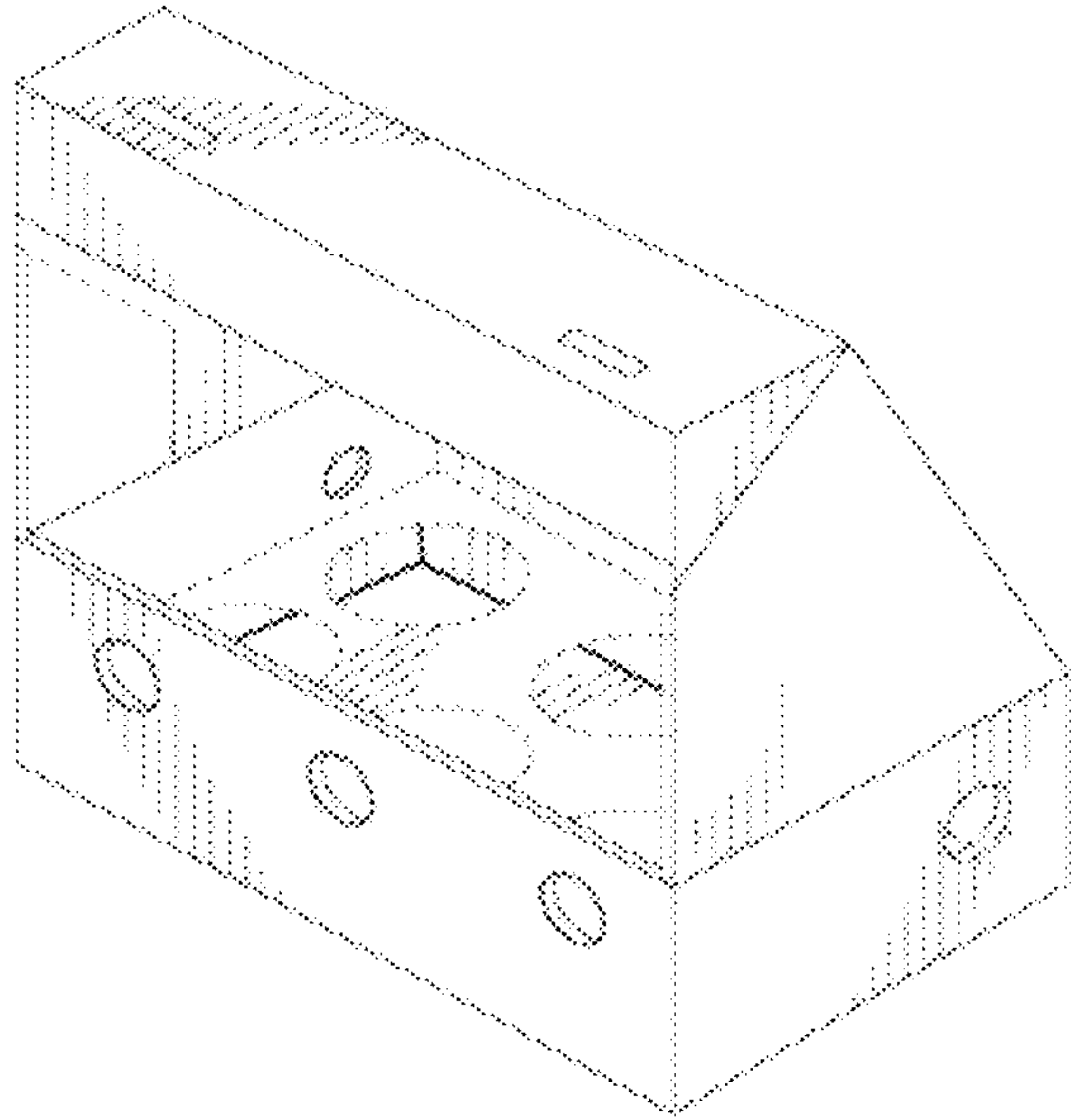


Figure 1

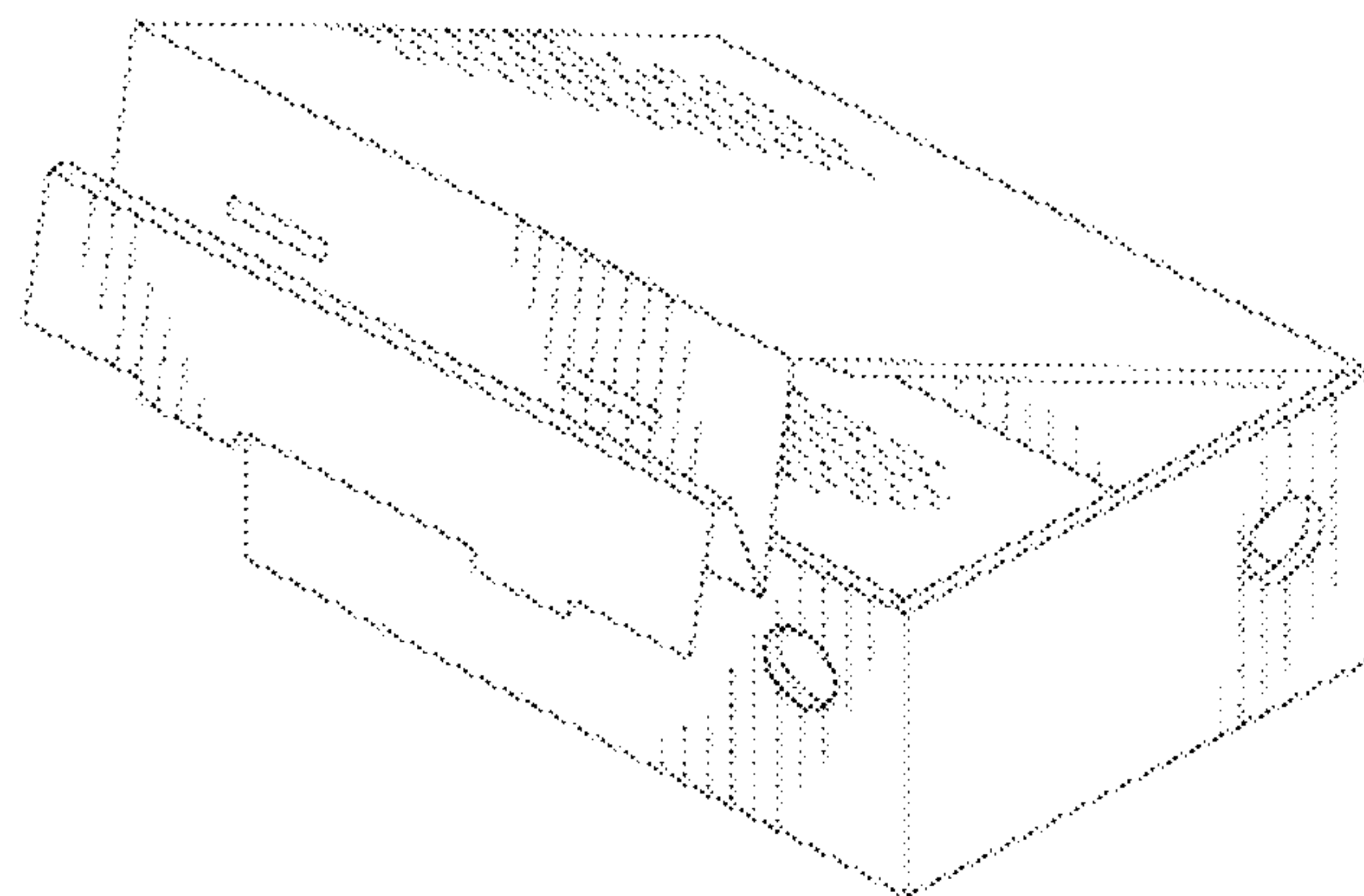


Figure 2

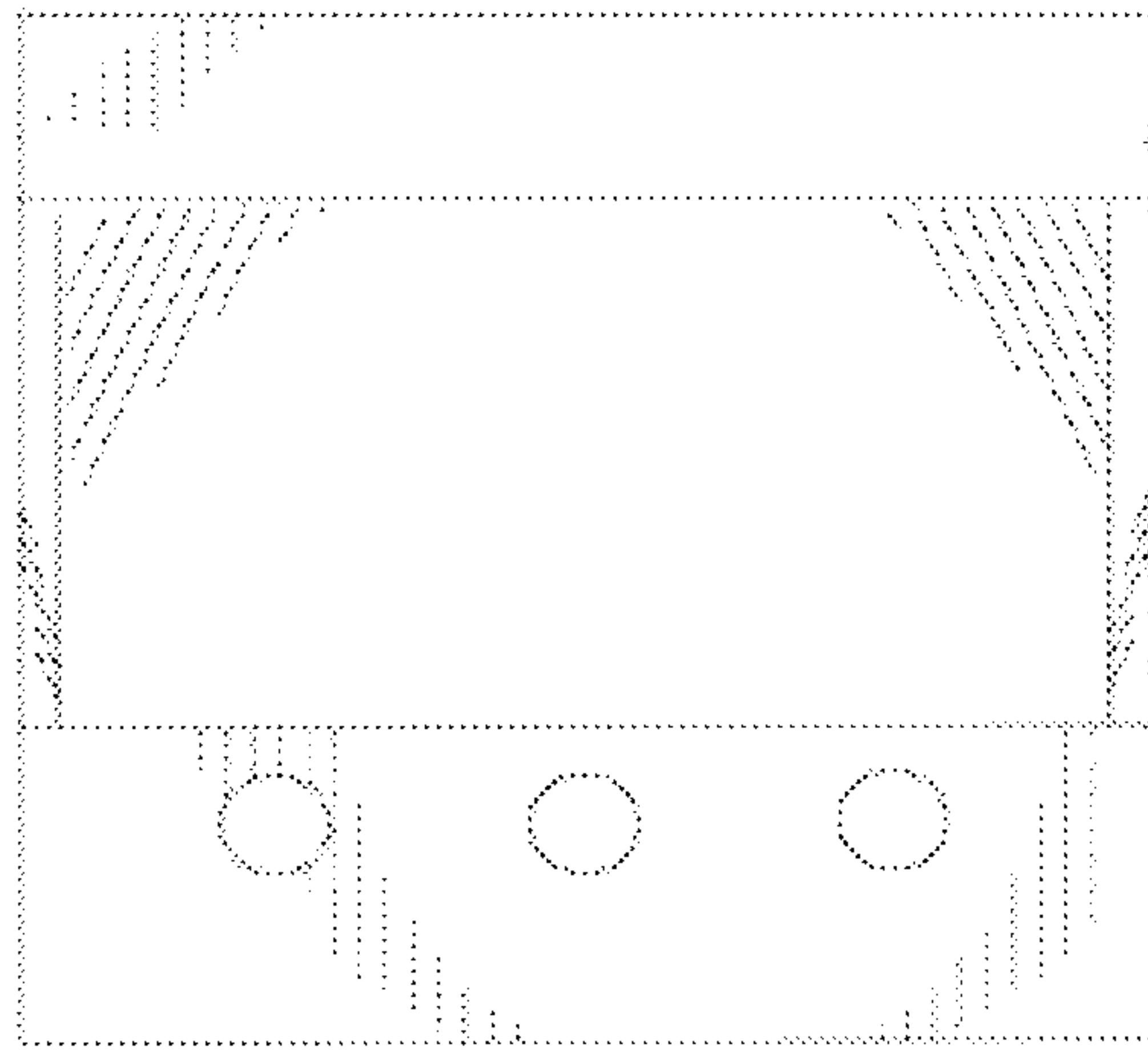


Figure 3

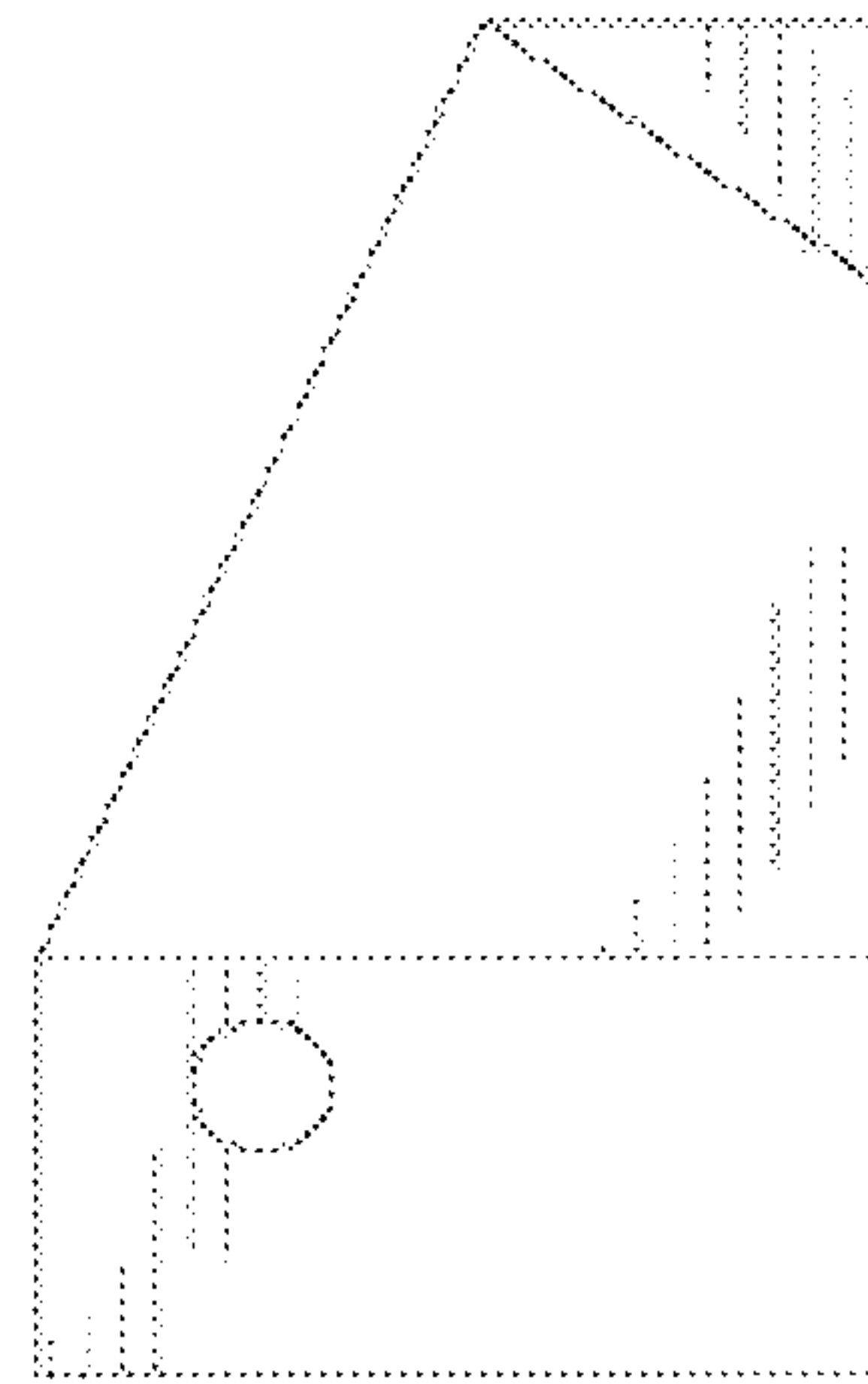


Figure 4

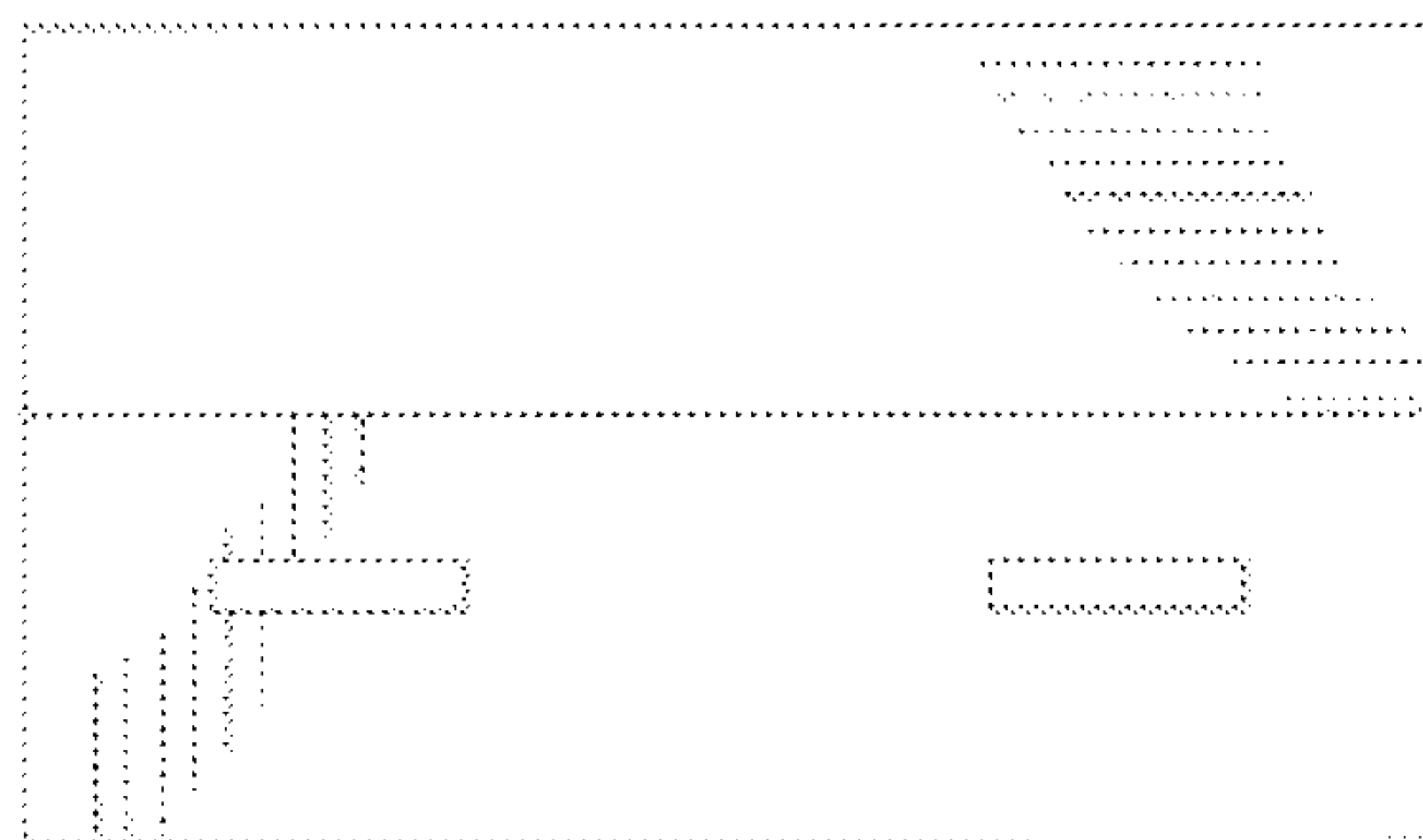


Figure 5

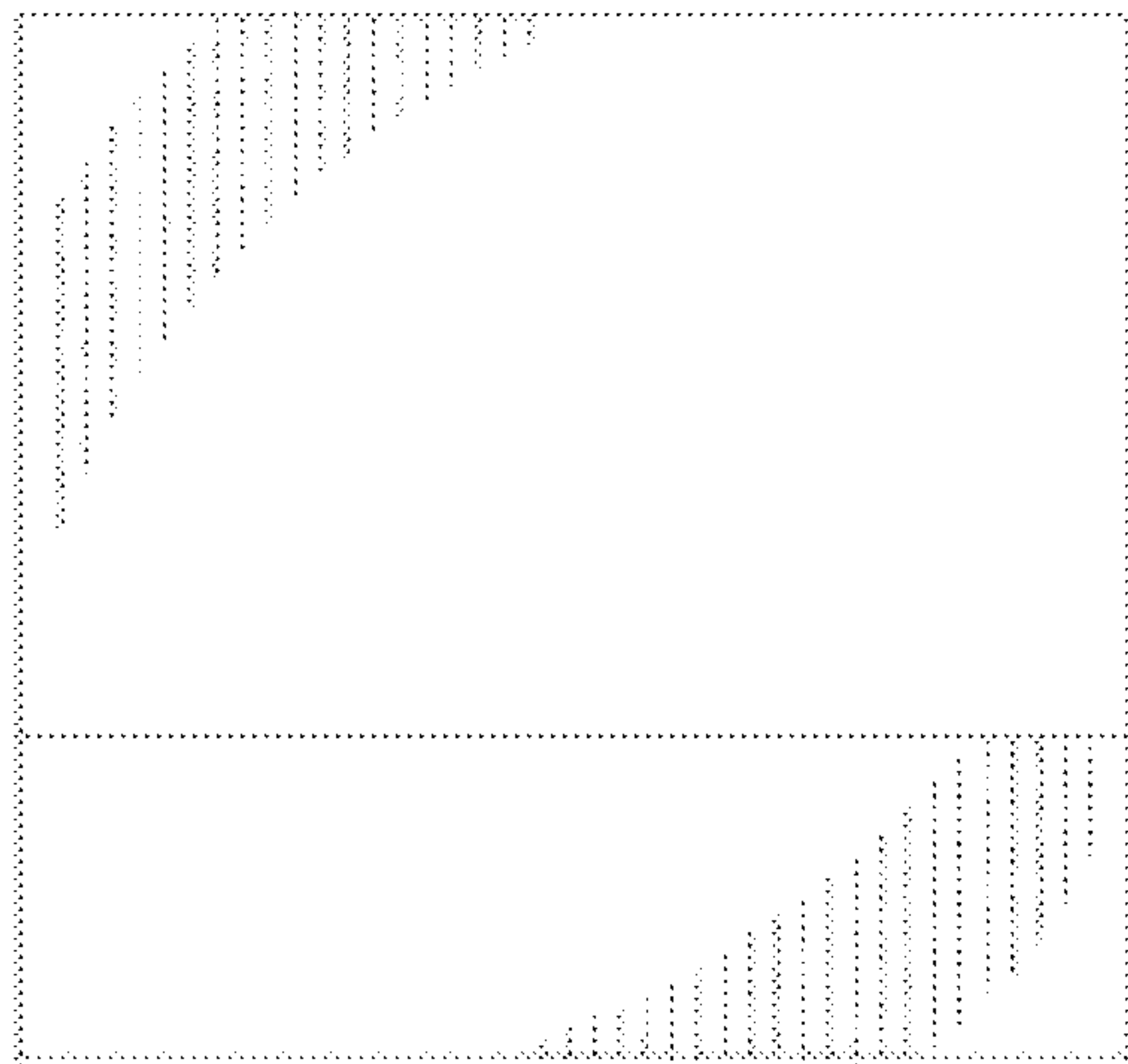


Figure 6

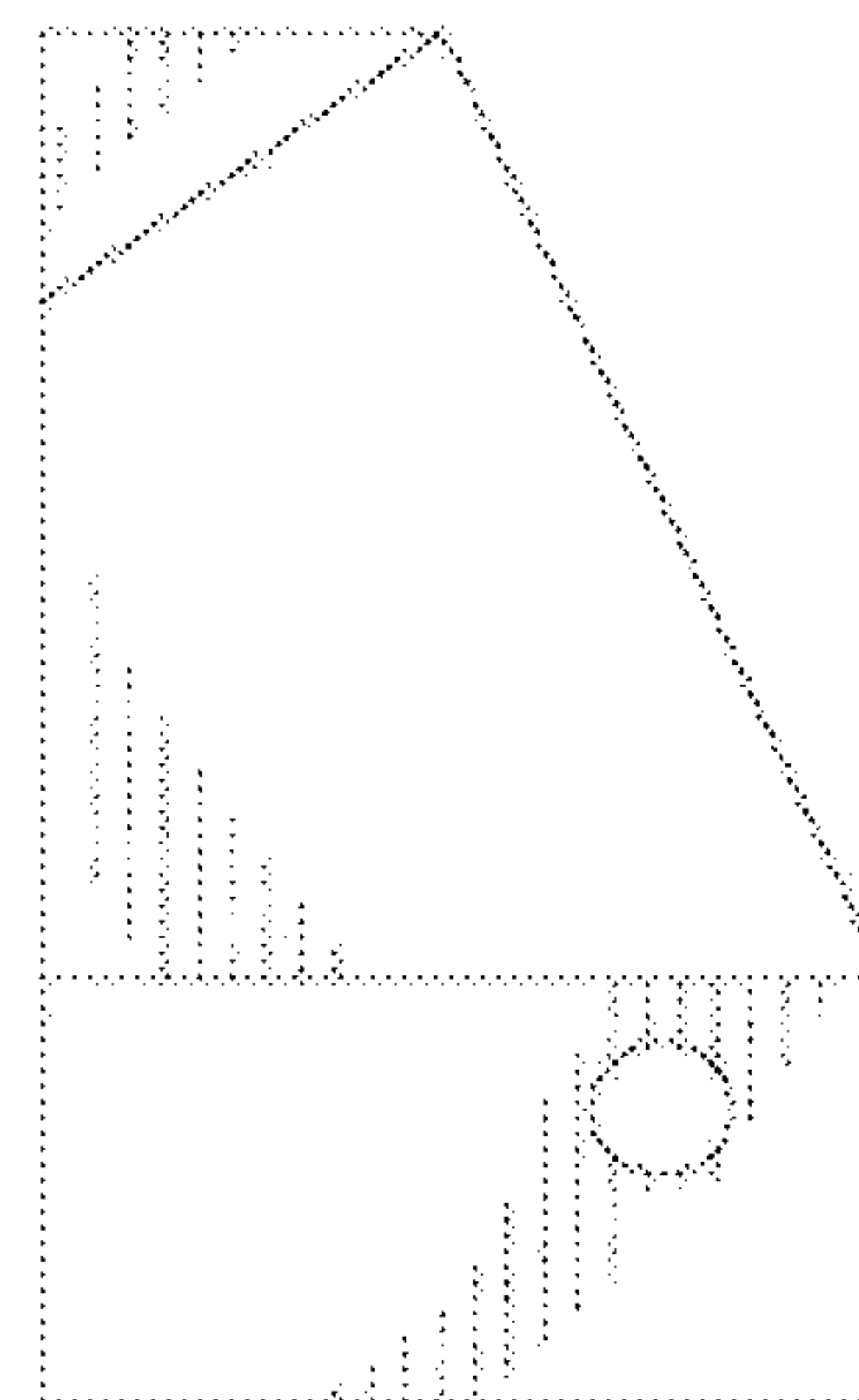


Figure 7

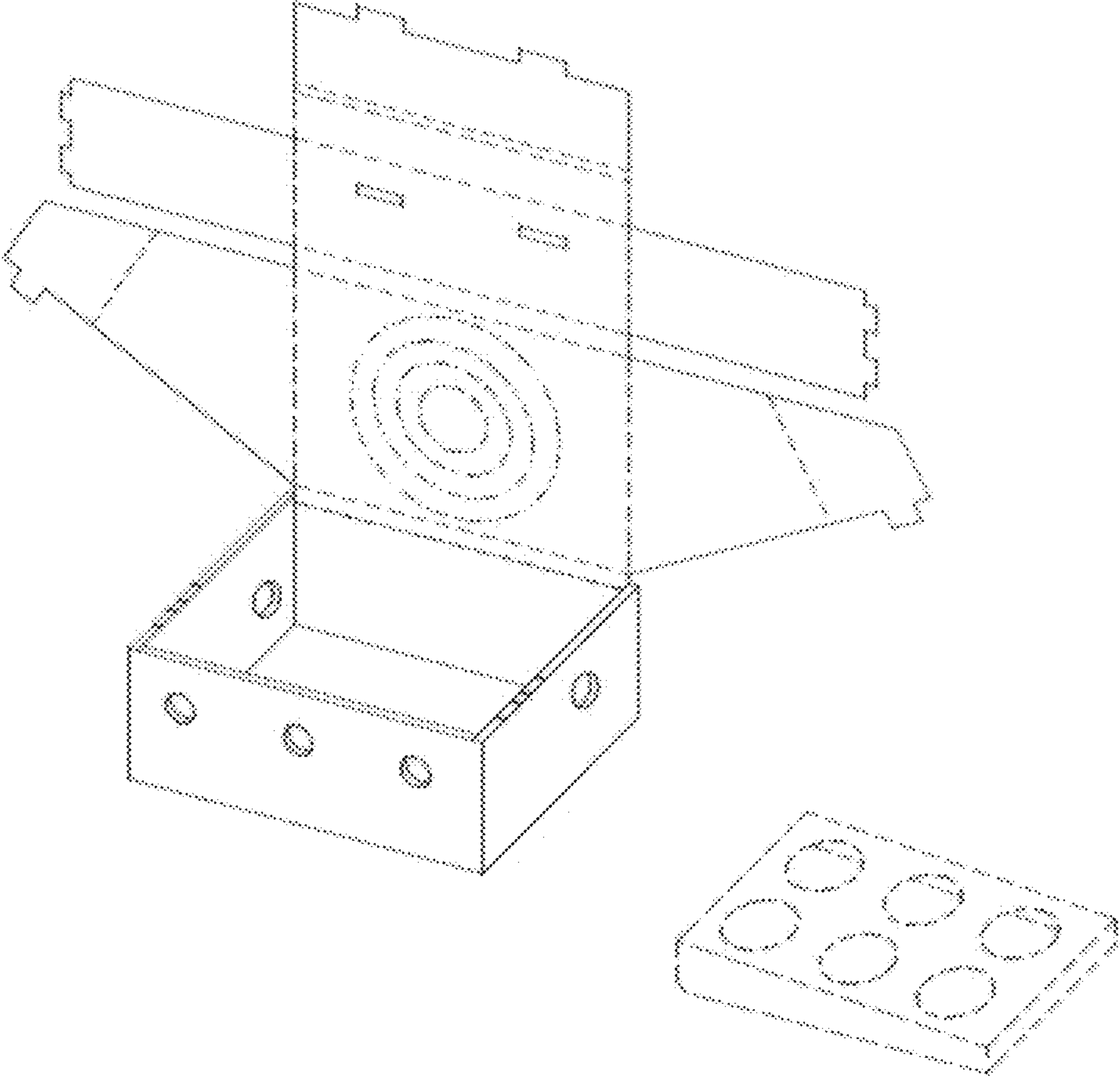


Figure 8