



US00D759757S

(12) **United States Design Patent**
Chen et al.

(10) **Patent No.:** **US D759,757 S**
(45) **Date of Patent:** **** Jun. 21, 2016**

(54) **BEVERAGE MACHINE**

(71) Applicants: **Jia Chen**, Guangdong (CN); **Xiang Wu**,
Guangdong (CN); **Xianhui Xu**,
Guangdong (CN)

(72) Inventors: **Jia Chen**, Guangdong (CN); **Xiang Wu**,
Guangdong (CN); **Xianhui Xu**,
Guangdong (CN)

(**) Term: **15 Years**

(21) Appl. No.: **29/546,234**

(22) Filed: **Nov. 20, 2015**

Related U.S. Application Data

(62) Division of application No. 29/499,618, filed on Aug. 18, 2014, now Pat. No. Des. 747,414.

(30) **Foreign Application Priority Data**

Feb. 19, 2014 (CN) 2014 3 0029991

(51) **LOC (10) Cl.** **20-01**

(52) **U.S. Cl.**
USPC **D20/1**

(58) **Field of Classification Search**
USPC D20/1-10; D99/28; D7/306-312
CPC G09F 11/00; G09F 11/02; G09F 11/04;
G09F 11/10; G09F 11/16; G09F 11/30;
G09F 11/38; G09F 11/62; A47F 3/0434

See application file for complete search history.

(56) **References Cited**

U.S. PATENT DOCUMENTS

D185,148 S *	5/1959	Hebel	D20/1
5,584,547 A *	12/1996	Trulaske, Sr.	A47F 3/0434 312/114
D597,605 S *	8/2009	Davis	D20/1
D716,093 S *	10/2014	Jakeman	D7/306
D728,026 S *	4/2015	Broen	D20/1
D728,027 S *	4/2015	Plakas	D20/1
D737,376 S *	8/2015	Klein	D20/1
D747,414 S *	1/2016	Chen	D20/1
2009/0277604 A1 *	11/2009	Kang	G07F 9/105 165/56
2011/0301749 A1 *	12/2011	Hammonds	G07F 11/38 700/232
2012/0330461 A1 *	12/2012	Doom	G07F 11/16 700/232

* cited by examiner

Primary Examiner — Mary Ann Calabrese

(74) *Attorney, Agent, or Firm* — Prakash Nama; Global IP Services, PLLC

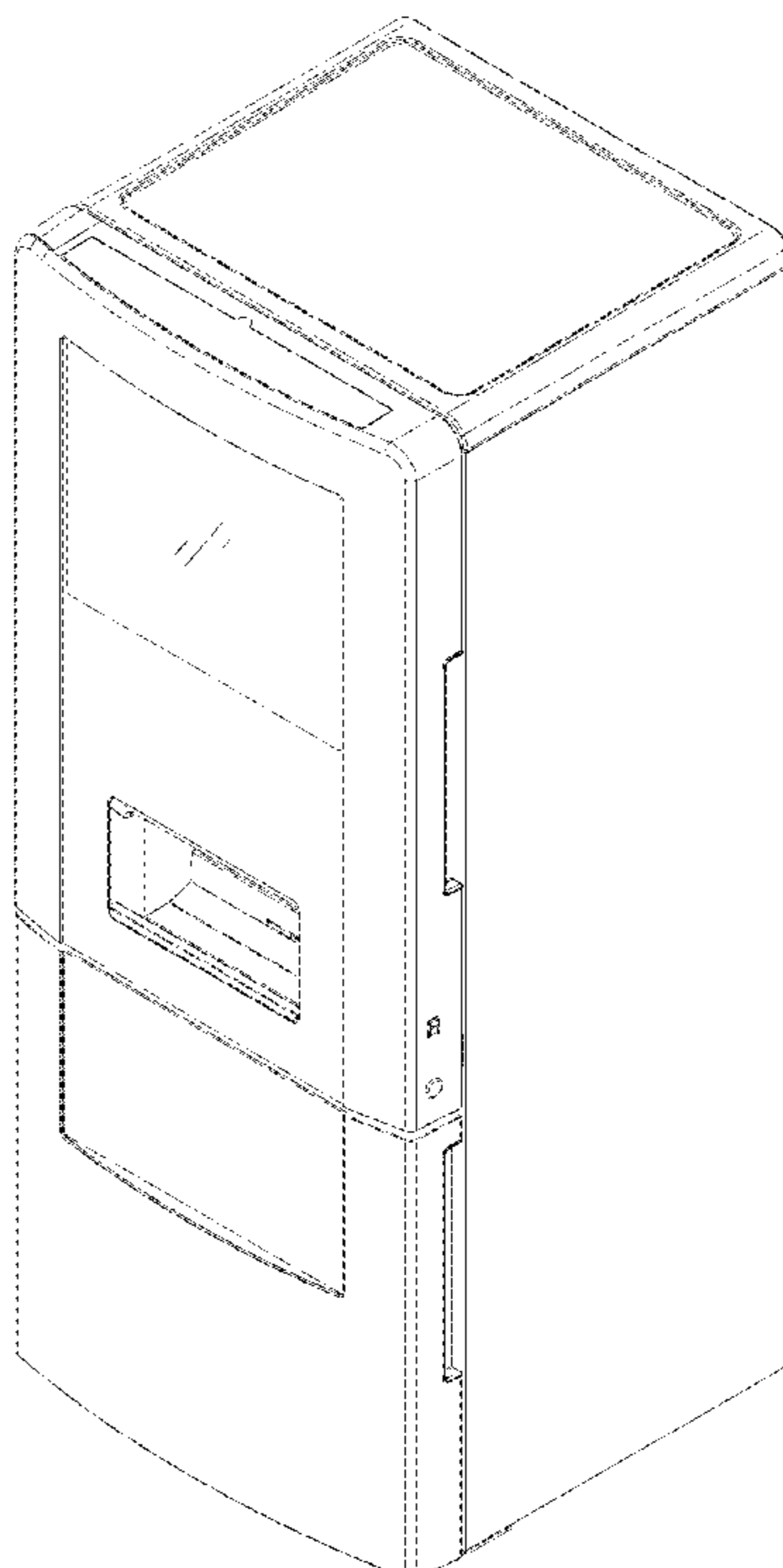
(57) **CLAIM**

The ornamental design for a beverage machine, as shown.

DESCRIPTION

FIG. 1 is a front elevational view of a beverage machine showing my new design;
FIG. 2 is a left side view thereof;
FIG. 3 is a right side view thereof;
FIG. 4 is atop plan view thereof; and,
FIG. 5 is a perspective view thereof.

1 Claim, 5 Drawing Sheets



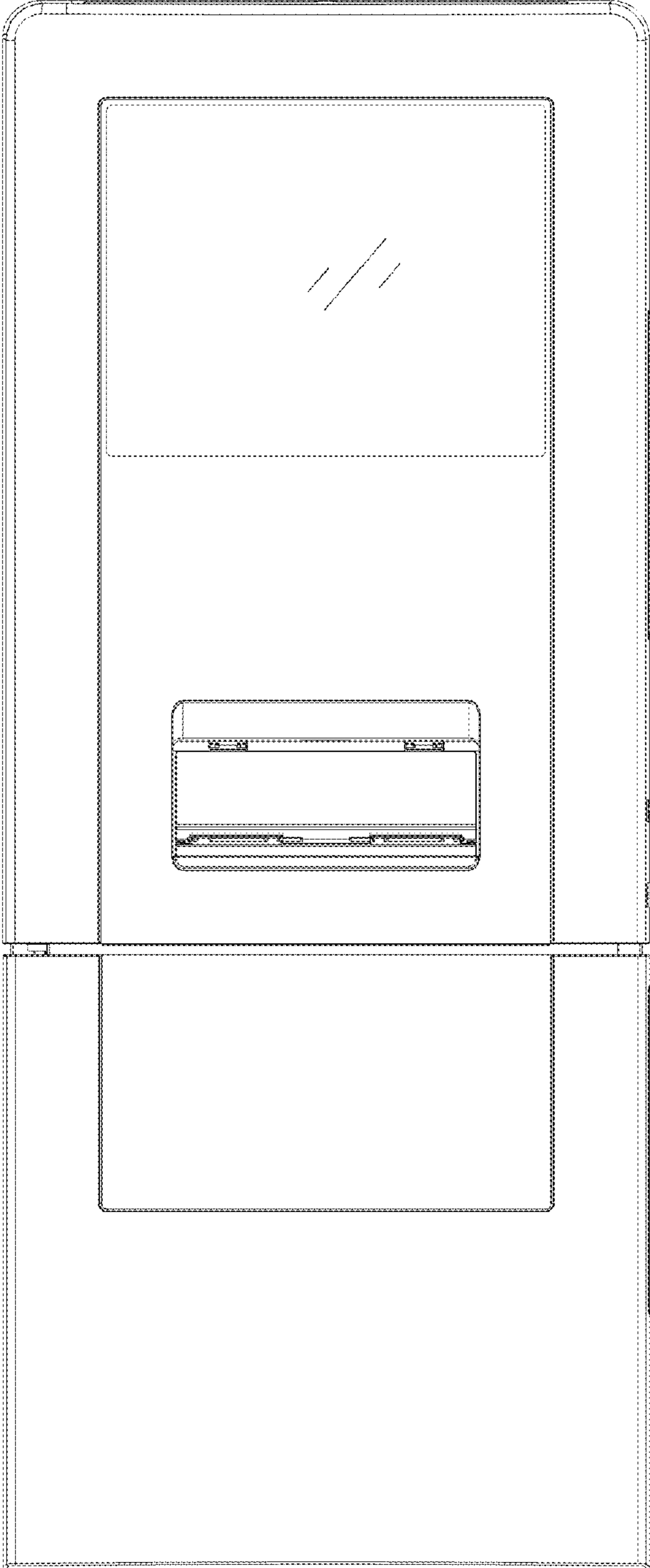


FIG. 1

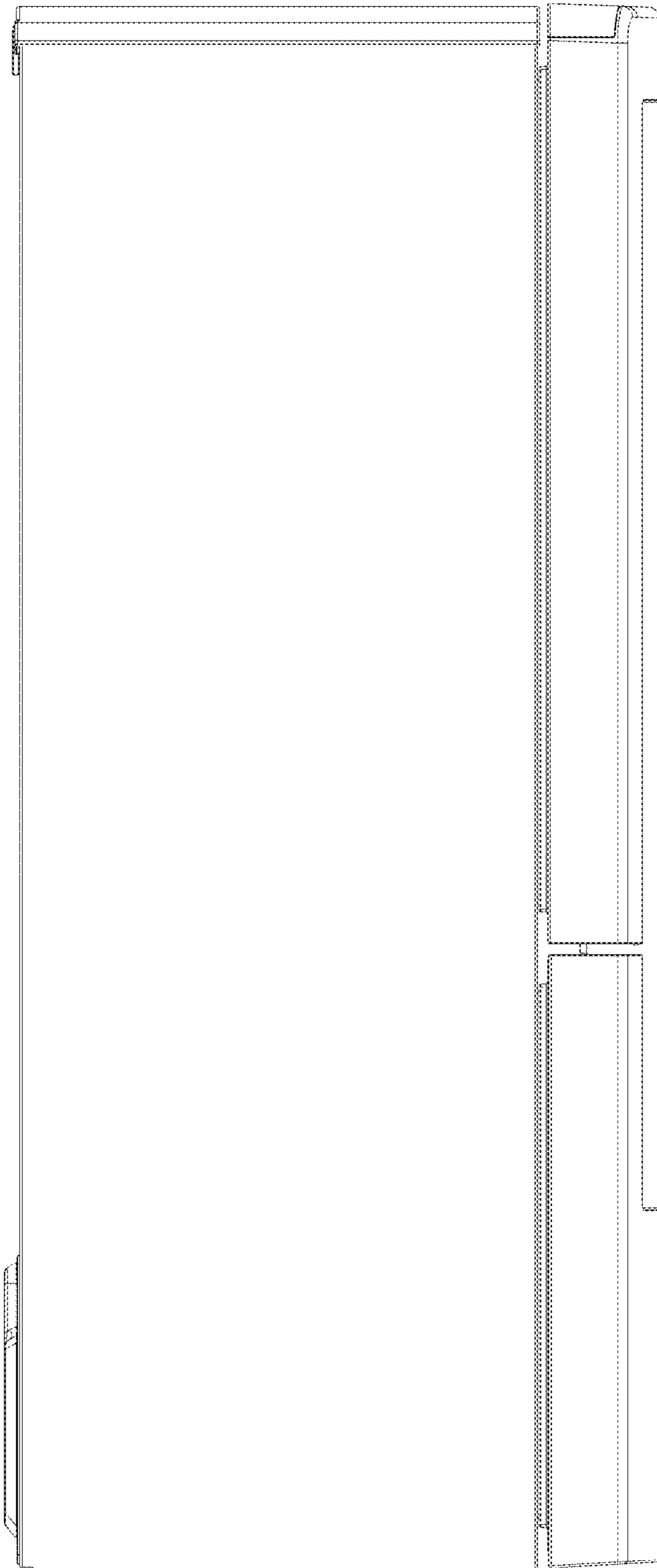


FIG. 2

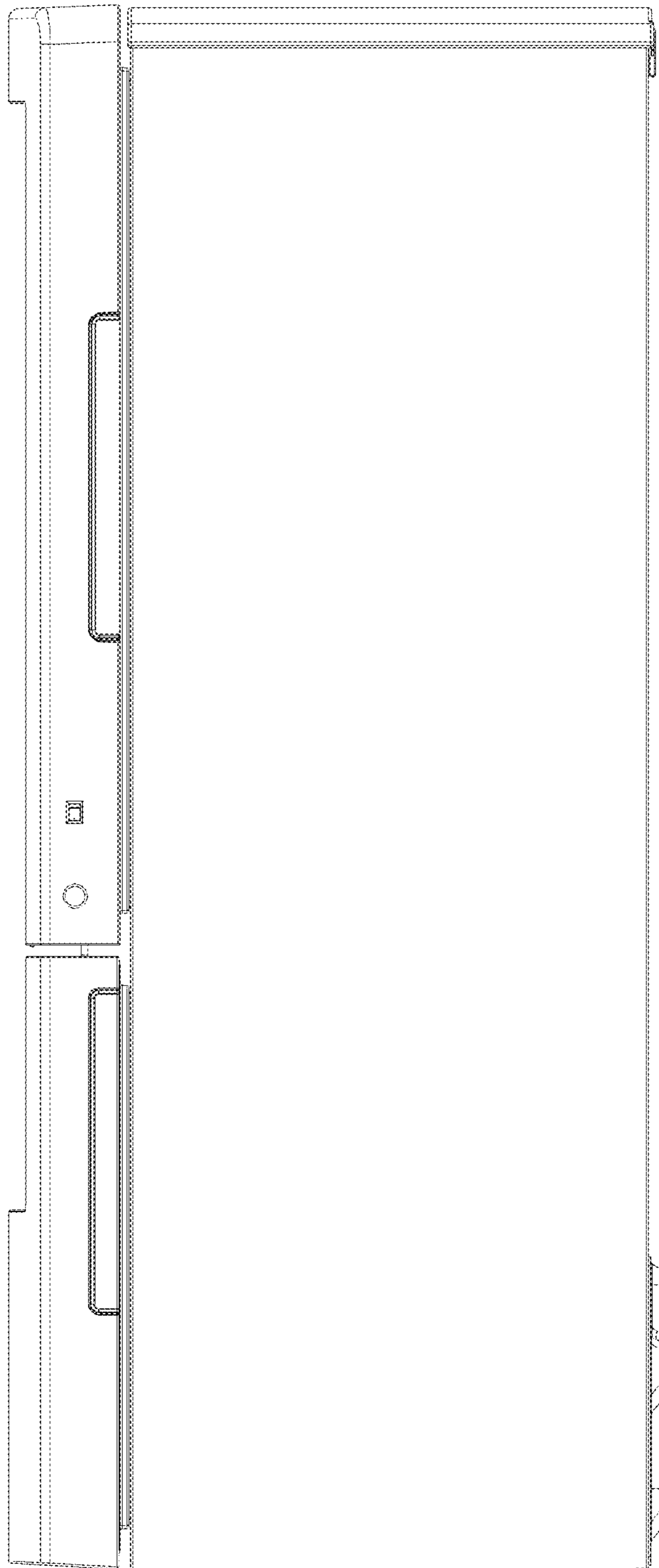


FIG. 3

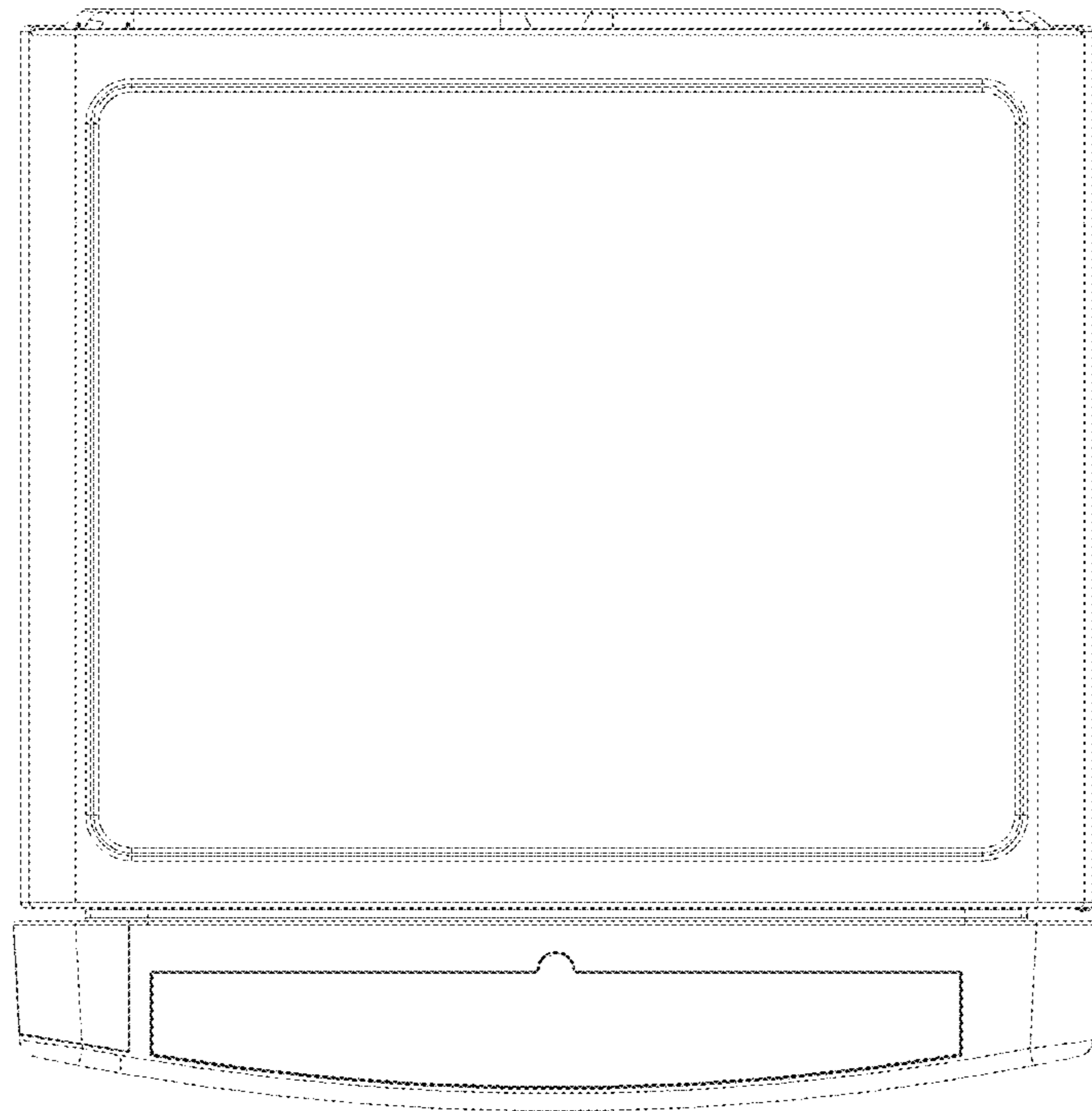


FIG. 4

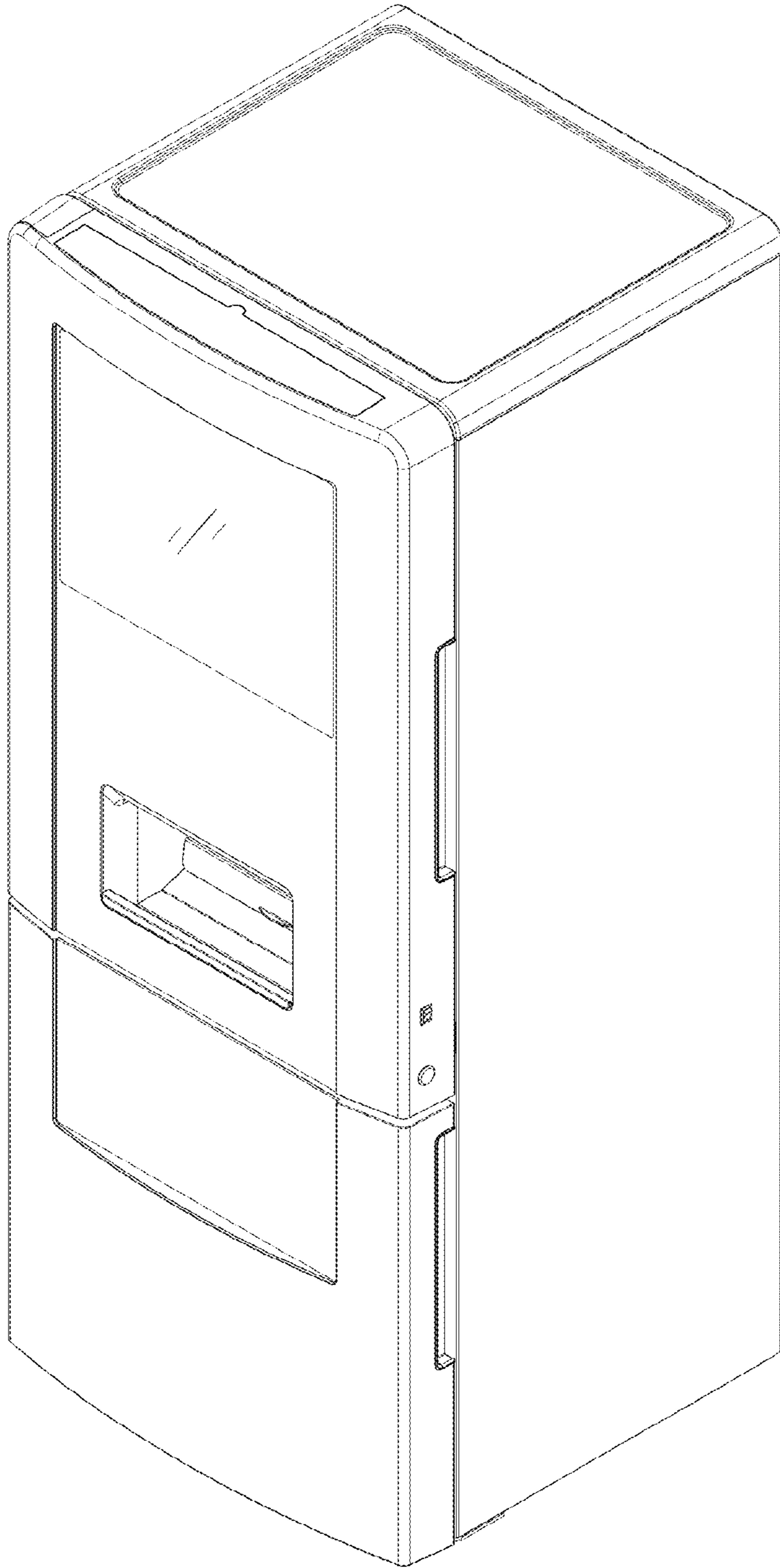


FIG. 5

UNITED STATES PATENT AND TRADEMARK OFFICE
CERTIFICATE OF CORRECTION

PATENT NO. : D759,757 S
APPLICATION NO. : 29/546234
DATED : June 21, 2016
INVENTOR(S) : Jia Chen et al.

Page 1 of 1

It is certified that error appears in the above-identified patent and that said Letters Patent is hereby corrected as shown below:

On the Title Page

In Item (71), Applicants, in Column 1, Lines 1, 2 and 3, delete “Jia Chen, Guangdong (CN); Xiang Wu, Guangdong (CN); Xianhui Xu, Guangdong (CN)” and insert --Hisense Ronshen (Guangdong) Refrigerator Co. Ltd, Guangdong, (CN)--, therefor.

Signed and Sealed this
Twenty-ninth Day of August, 2017



Joseph Matal
*Performing the Functions and Duties of the
Under Secretary of Commerce for Intellectual Property and
Director of the United States Patent and Trademark Office*