



US00D759756S

(12) **United States Design Patent**
Benedikt

(10) **Patent No.:** **US D759,756 S**
(45) **Date of Patent:** **** Jun. 21, 2016**

(54) **WRITING, DRAWING OR PAINTING INSTRUMENT**

(71) Applicant: **J.S. STAEDTLER GMBH & CO. KG,**
Nürnberg (DE)

(72) Inventor: **Schindler Benedikt,** Nürnberg (DE)

(73) Assignee: **STAEDTLER Mars GMBH & CO. KG,** Nuremberg (DE)

(**) Term: **15 Years**

(21) Appl. No.: **35/500,286**

(22) Filed: **May 22, 2015**

(80) **Hague Agreement Data**

Int. Filing Date: **May 22, 2015**

Int. Reg. No.: **DM/086858**

Int. Reg. Date: **May 22, 2015**

Int. Reg. Pub. Date: **Nov. 27, 2015**

(51) **LOC (10) Cl.** **19-06**

(52) **U.S. Cl.**
USPC **D19/186**

(58) **Field of Classification Search**
USPC D14/411; D19/115-204
CPC B43K 5/00; B43K 5/005; B43K 7/00;
B43K 7/10; B43K 7/12; B43K 8/04
See application file for complete search history.

(56) **References Cited**

U.S. PATENT DOCUMENTS

86,101 A * 1/1869 Reckendorfer B43K 29/0875
40/335
D37,431 S * 5/1905 McIntyre D19/186
D37,869 S * 3/1906 Faber D19/186
D37,870 S * 3/1906 Faber D19/186

1,509,255 A * 9/1924 Pollak B43K 21/085
401/63
1,728,128 A * 9/1929 Kodama B43K 23/00
24/11 CT
1,767,948 A * 6/1930 Taylor B43K 29/18
30/169
D87,010 S * 5/1932 Kreutzer D19/186
D97,555 S * 11/1935 Koerper D19/186
2,231,410 A * 2/1941 Kern B43K 19/02
401/54
D132,773 S * 6/1942 Saulsbury D19/186
D166,161 S * 3/1952 Hanle D19/163
2,734,838 A * 2/1956 Clancy et al. B43K 19/145
156/187
D184,699 S * 3/1959 Young D19/186
2,893,109 A * 7/1959 Young B43K 19/02
29/90.01
2,954,628 A * 10/1960 Baldwin et al. G09F 23/00
40/334
3,520,627 A * 7/1970 Suzuki B43K 19/16
401/96
D474,240 S * 5/2003 Alderson D19/186
6,837,637 B1 * 1/2005 Beck A61K 8/8152
15/443
D587,310 S * 2/2009 Paslawski D19/185
D660,910 S * 5/2012 Carpenter D19/133
D667,878 S * 9/2012 Xie D19/163

* cited by examiner

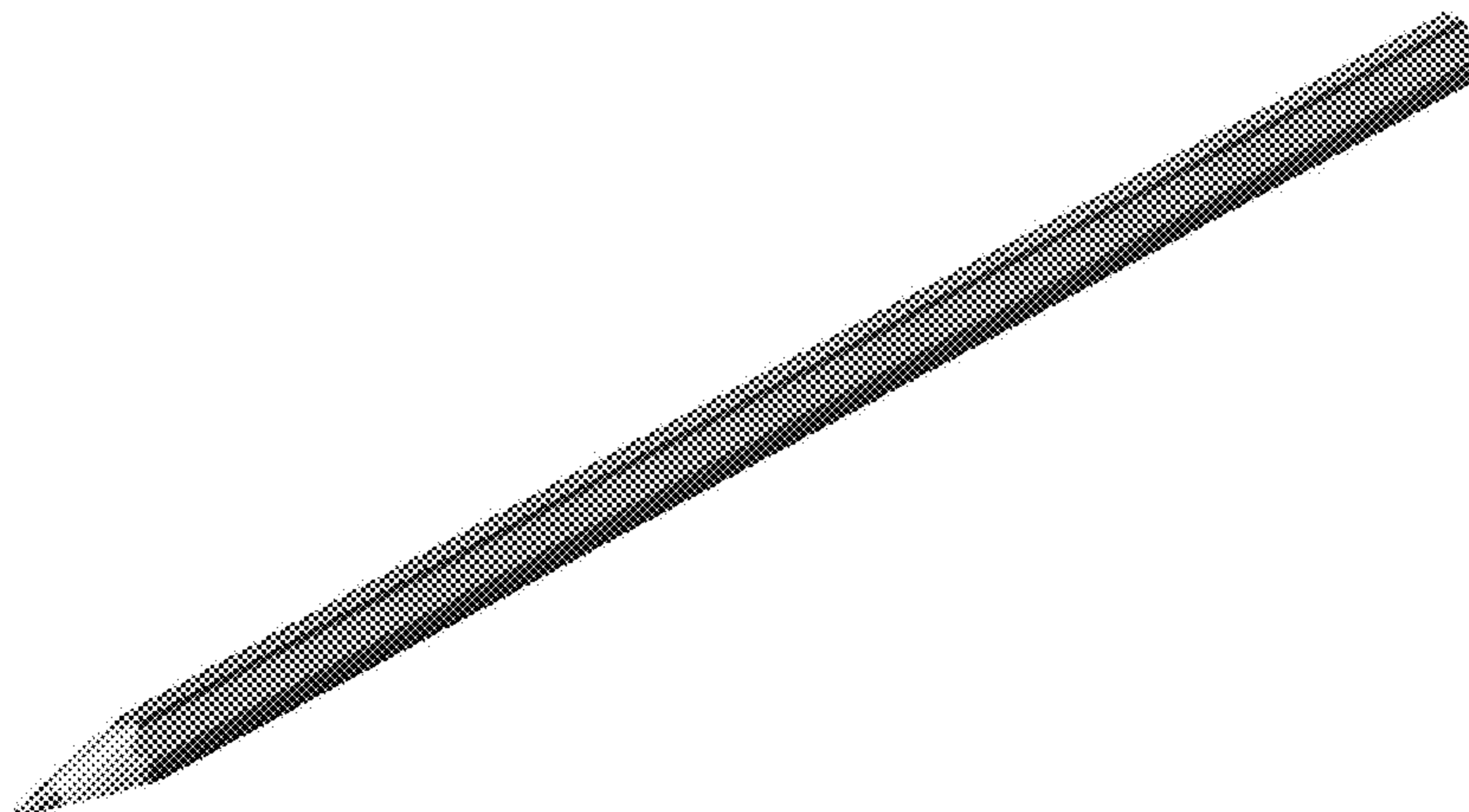
Primary Examiner — Elizabeth Albert

(57) **CLAIM**
The ornamental design for writing, drawing or painting instrument, as shown and described.

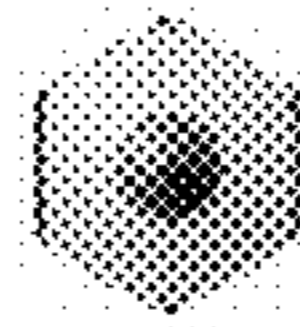
DESCRIPTION

- 1. Writing, drawing or painting instrument
- 1.1 is a front view of a writing, drawing or painting instrument showing my new design;
- 1.2 is a rear view thereof;
- 1.3 is a side view thereof;
- 1.4 is a top view thereof; and,
- 1.5 is a perspective view thereof.

1 Claim, 5 Drawing Sheets



1.1



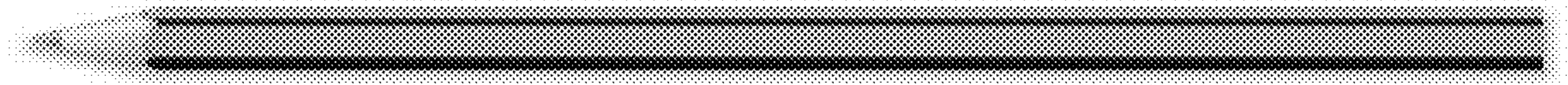
1.2



1.3



1.4



1.5

