



US00D759754S

(12) **United States Design Patent**  
Stevens et al.

(10) **Patent No.:** US D759,754 S  
(45) **Date of Patent:** \*\* Jun. 21, 2016

(54) **ADHESIVE TAPE**

(71) Applicants: **Chad Alan Stevens**, Sarasota, FL (US);  
**Ellis Robinson Giles**, Houston, TX (US)

(72) Inventors: **Chad Alan Stevens**, Sarasota, FL (US);  
**Ellis Robinson Giles**, Houston, TX (US)

(\*\*) Term: **14 Years**

(21) Appl. No.: **29/495,246**

(22) Filed: **Jun. 28, 2014**

**Related U.S. Application Data**

(62) Division of application No. 29/398,142, filed on Jul. 26, 2011, now Pat. No. Des. 708,255.

(51) **LOC (10) Cl.** ..... **19-02**

(52) **U.S. Cl.**  
USPC ..... **D19/69**

(58) **Field of Classification Search**  
USPC ..... D10/71; D19/69; D24/189; D5/99;  
33/494, 758, 562, 759; 101/288;  
206/390; 40/638, 641; 428/43; D7/585;  
D20/22, 42; D13/182  
CPC ..... C08F 220/18  
See application file for complete search history.

(56) **References Cited**

**U.S. PATENT DOCUMENTS**

6,617,007 B1 \* 9/2003 Cram ..... B65H 19/2207  
156/184  
D571,859 S \* 6/2008 Harmston ..... D19/69

D572,156 S \* 7/2008 Payne ..... D10/71  
D602,988 S \* 10/2009 Alicea ..... D19/69  
D602,989 S \* 10/2009 Alicea ..... D19/69  
D634,128 S \* 3/2011 Alicea ..... D5/7  
D647,565 S \* 10/2011 Pourian ..... D19/69  
D656,548 S \* 3/2012 Packard ..... D19/69  
D663,778 S \* 7/2012 Fung ..... D19/69  
D708,255 S \* 7/2014 Stevens ..... D19/69  
D713,452 S \* 9/2014 Goldmeier ..... D19/69  
D730,444 S \* 5/2015 Hansen ..... D19/69  
D741,406 S \* 10/2015 Doucette ..... D19/69

\* cited by examiner

*Primary Examiner* — Austin Murphy

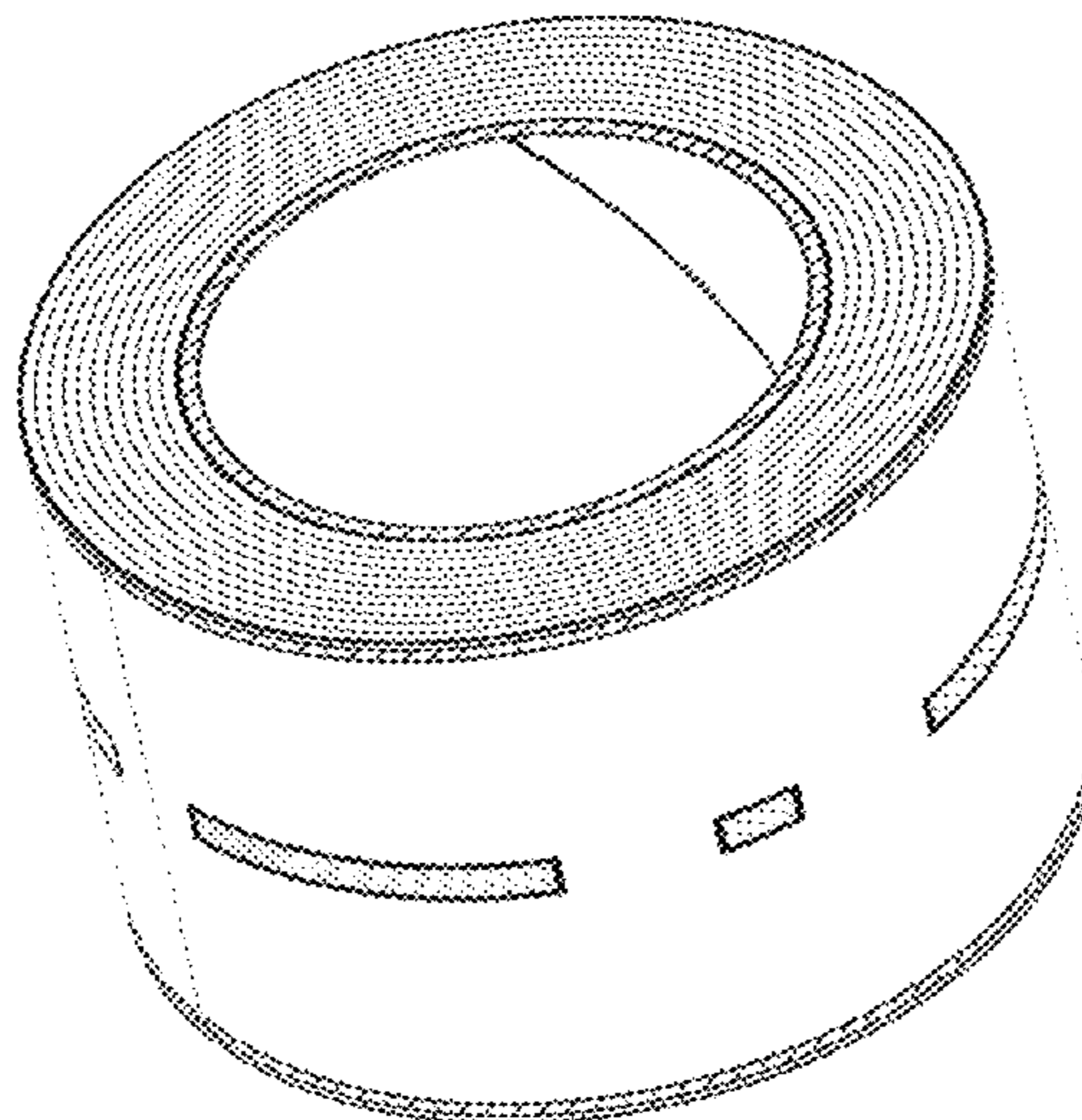
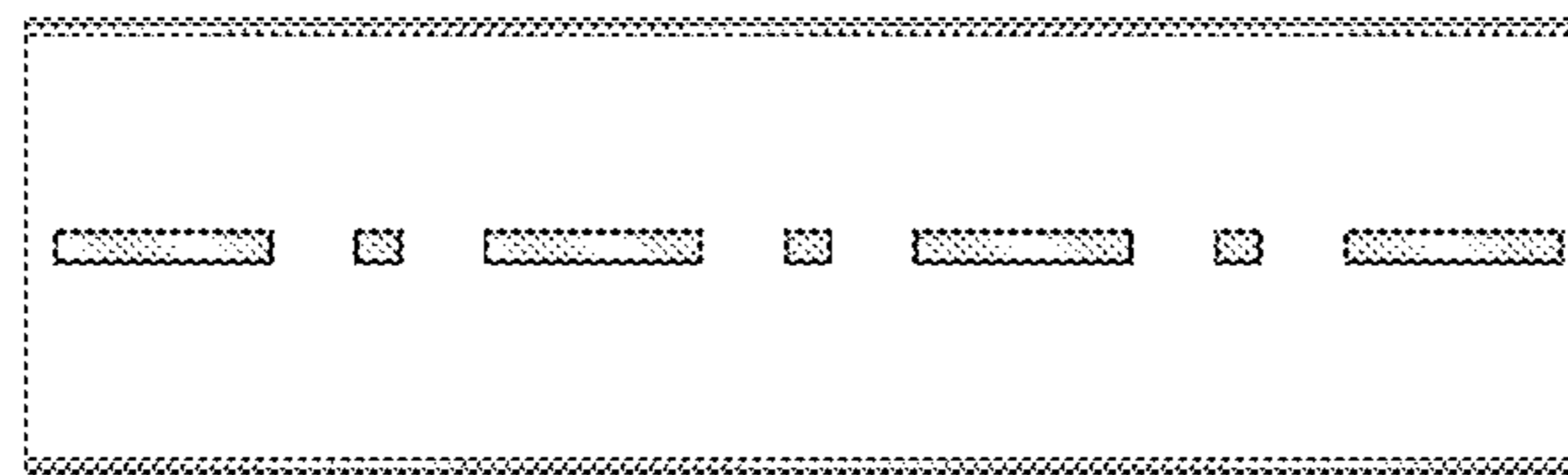
(57) **CLAIM**

The ornamental design for an adhesive tape, as shown and described.

**DESCRIPTION**

FIG. 1 is a front view of an embodiment of a section of an adhesive tape showing the claimed design;  
FIG. 2 is a back view thereof;  
FIG. 3 is a top view thereof, which is a mirror image to a bottom view;  
FIG. 4 is a right side view thereof, which is a mirror image to a left side view;  
FIG. 5 is a front perspective view thereof; and,  
FIG. 6 is a perspective view of an embodiment of a roll of an adhesive tape showing the claimed design.

**1 Claim, 3 Drawing Sheets**



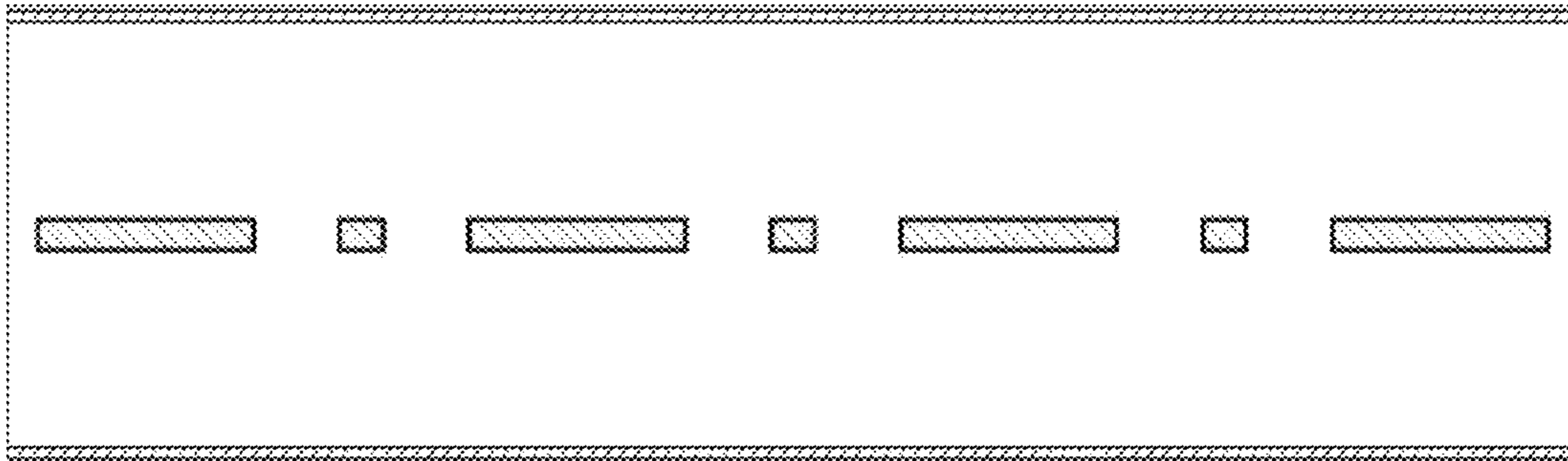


FIG. 1



FIG. 2

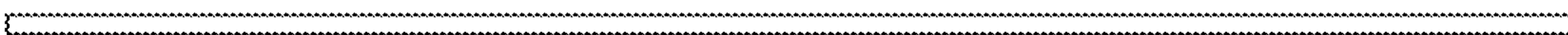


FIG. 3

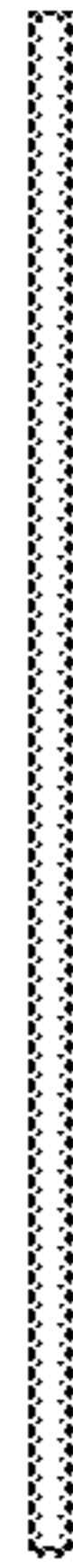


FIG. 4

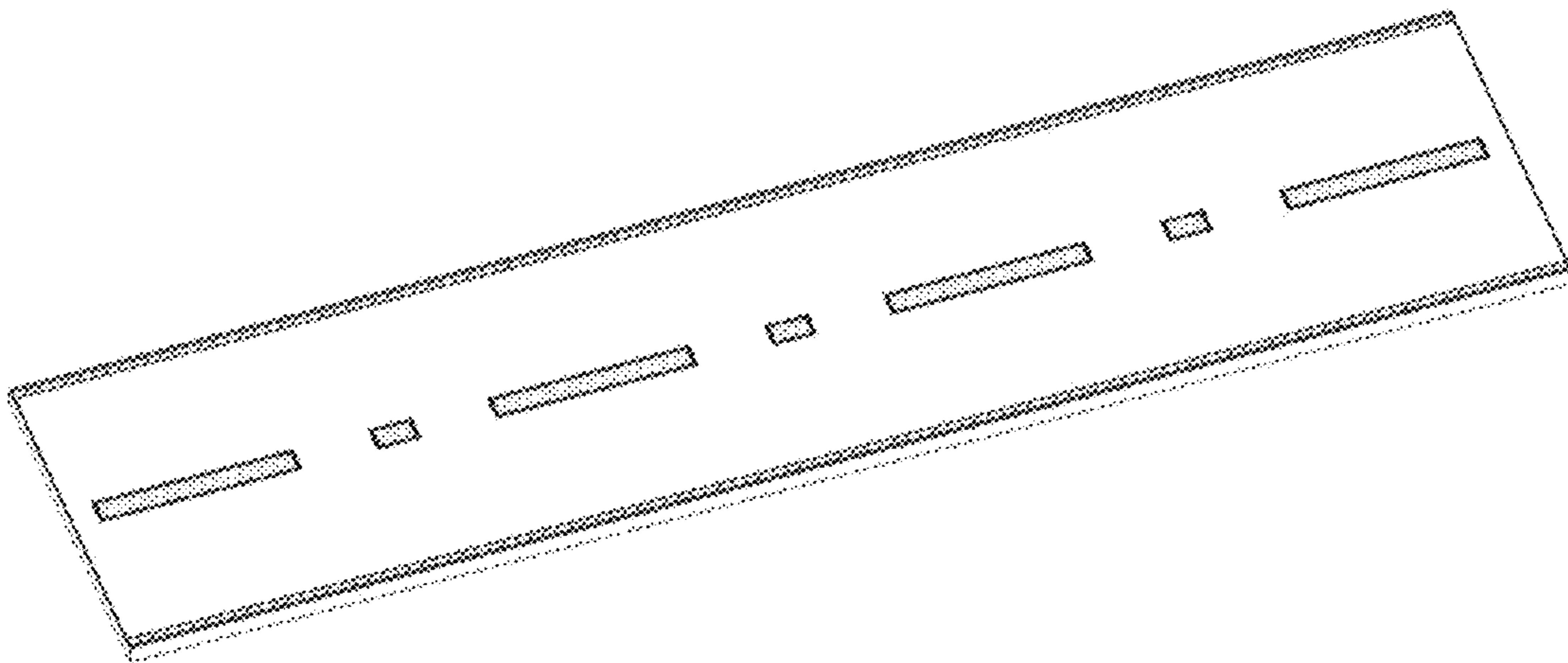


FIG. 5

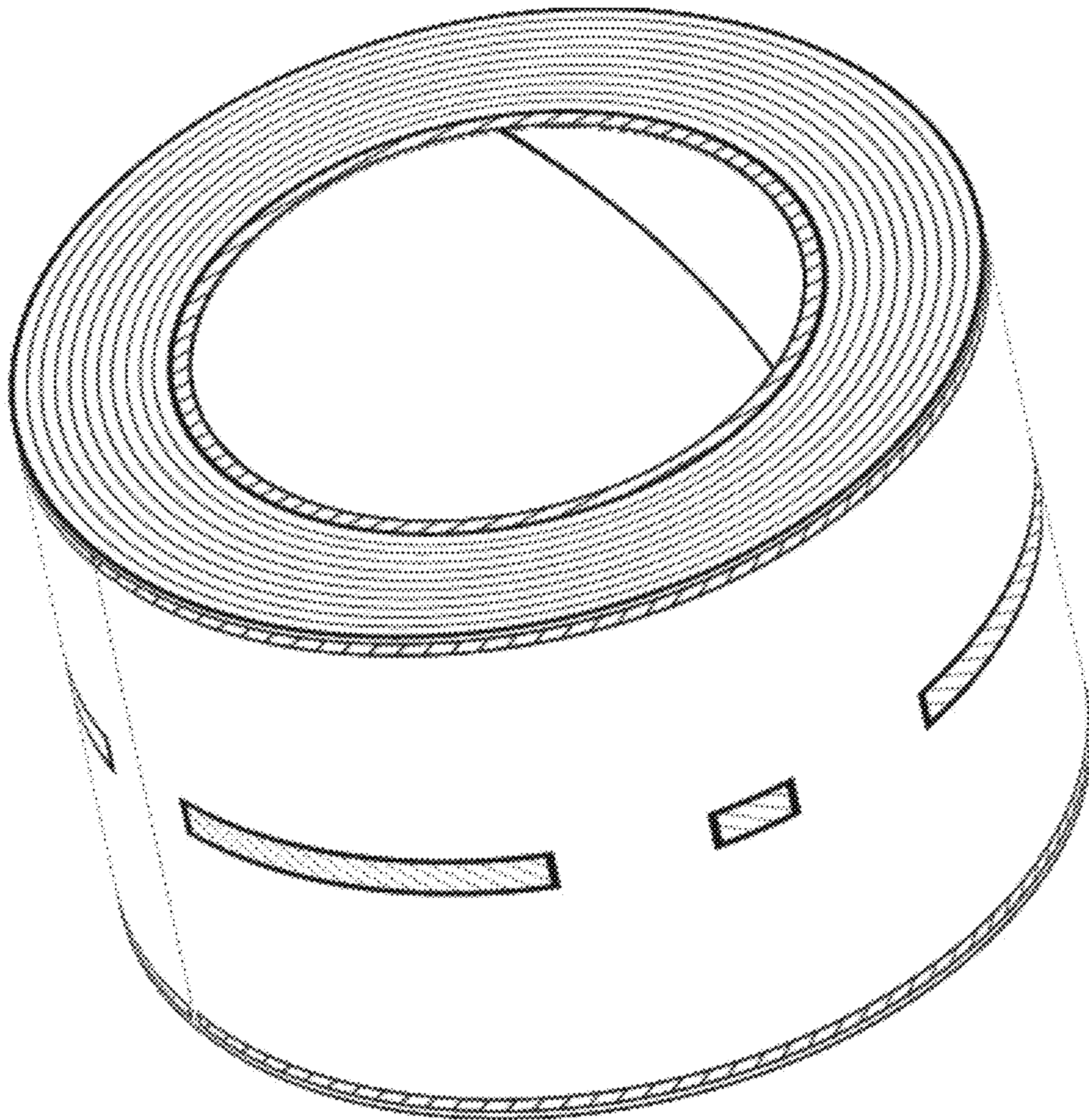


FIG. 6