



US00D759746S

(12) **United States Design Patent**
Mangano

(10) **Patent No.:** **US D759,746 S**
(45) **Date of Patent:** **** Jun. 21, 2016**

(54) **CONTROL PANEL FOR A MUSICAL INSTRUMENT**

(71) Applicant: **Ingenious Designs LLC**, Ronkonkoma, NY (US)

(72) Inventor: **Joy Mangano**, St. James, NY (US)

(73) Assignee: **INGENIOUS DESIGNS LLC**, Ronkonkoma, NY (US)

(**) Term: **14 Years**

(21) Appl. No.: **29/504,225**

(22) Filed: **Oct. 3, 2014**

(51) **LOC (10) Cl.** **17-03**

(52) **U.S. Cl.**
USPC **D17/20**

(58) **Field of Classification Search**
USPC D10/18, 21, 24, 25, 27, 28, 46, 93, D10/104.1, 106, 113, 114, 116.1; D17/9, D17/13, 20, 22, 23, 24, 99, 4, 12, 14, 15, 16, D17/17, 18, 19, 21; D21/586; D28/7; D6/582, 583, 585, 592, 595, 596, 597, D6/601, 602, 603, 606, 608, 610, 617
CPC H05K 7/20727; H05K 7/20581; F04D 25/166; F04D 15/00; F04D 29/664; F24F 3/044; F24F 7/06; F24F 7/065; F24F 13/24; G10D 13/00; G10D 3/00; G10D 3/18; G10D 3/043; G10D 1/08; G10G 5/00; A63H 5/00; A47G 9/00; B60N 2/00; G10H 1/02; G10H 1/0091; G10H 1/32

See application file for complete search history.

(56) **References Cited**

U.S. PATENT DOCUMENTS

3,296,916 A * 1/1967 Palmer G10H 3/18
455/66.1
D212,389 S * 10/1968 Gambella et al. D17/14
3,482,028 A * 12/1969 Cox G10H 1/342
84/722

3,555,166 A * 1/1971 Gasser G10H 1/342
84/600
3,610,086 A * 10/1971 Gasser G09B 15/08
84/470 R
3,611,202 A * 10/1971 Van Leer G10K 15/10
333/144
3,742,114 A * 6/1973 Barkan G10H 1/342
84/737
4,244,261 A * 1/1981 Adachi G10H 1/055
338/69

(Continued)

OTHER PUBLICATIONS

Fender Mustang, image post date Nov. 28, 2010, site visited Mar. 7, 2016, (online), <<http://www.amazon.com/dp/B0042EZH6W/?tag=reviewsofbo0a-20>>.*

(Continued)

Primary Examiner — Kevin Rudzinski

Assistant Examiner — Sean D Lough

(74) *Attorney, Agent, or Firm* — Galgano IP Law PLLC; Thomas M. Galgano; Jessica G. McDonald

(57) **CLAIM**

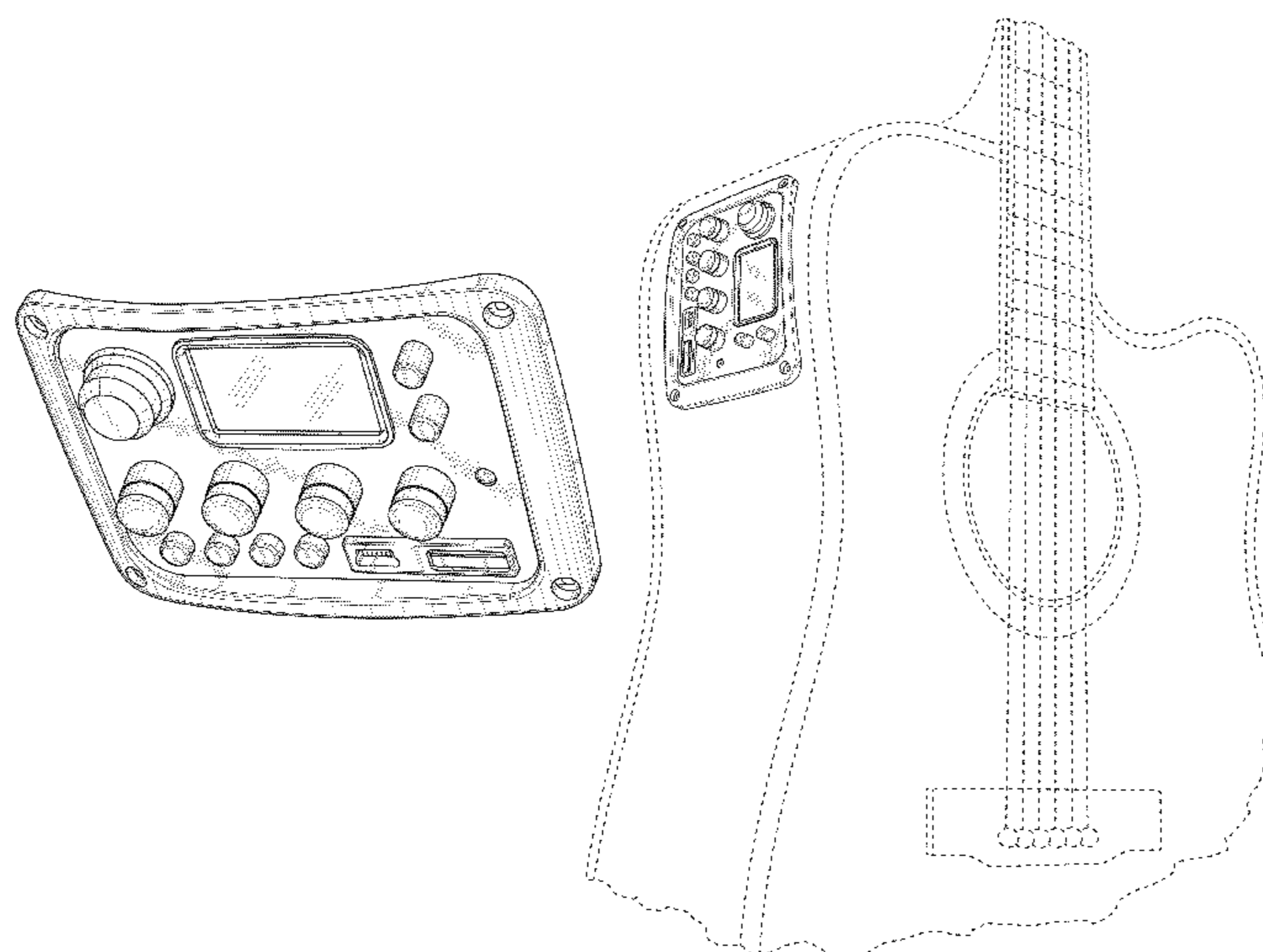
The ornamental design for a control panel for a musical instrument, as shown and described.

DESCRIPTION

FIG. 1 is a top and right side perspective view of the control panel for a musical instrument, showing my new design; FIG. 2 is a top plan view thereof; FIG. 3 is a left side elevation view thereof; FIG. 4 is a right side elevation view thereof; FIG. 5 is a rear elevation view thereof; FIG. 6 is a front elevation view thereof; and, FIG. 7 is a perspective view of the control panel for the musical instrument, shown mounted on a guitar illustrated as environment in broken lines.

The broken lines are included in FIG. 7 for the purpose of illustrating environment of the control panel for a musical instrument that forms no part of the claimed design.

1 Claim, 5 Drawing Sheets



(56)

References Cited

U.S. PATENT DOCUMENTS

D265,405 S * 7/1982 Lane D17/14
 D325,742 S * 4/1992 Phillips D17/14
 5,576,507 A * 11/1996 LaMarra G10H 1/0066
 84/645
 5,834,671 A * 11/1998 Phoenix G10H 1/0066
 84/477 R
 7,304,233 B2 * 12/2007 Suzuki G10H 3/18
 84/718
 7,323,633 B2 * 1/2008 Shaffer G10H 3/125
 84/464 A
 7,442,865 B2 * 10/2008 Moghaddam G10D 1/085
 84/267
 7,525,039 B2 * 4/2009 Steele G10H 3/146
 84/743
 8,084,680 B2 * 12/2011 Kato G10H 1/32
 84/13
 8,084,681 B2 * 12/2011 Schon G10H 1/348
 84/615
 8,283,550 B2 * 10/2012 Chu G10H 1/321
 434/307 A
 8,324,494 B1 * 12/2012 Packouz G10H 1/0066
 84/635
 8,338,688 B2 * 12/2012 Shinjo G10H 1/32
 84/423 R
 8,338,689 B1 * 12/2012 Beaty G10H 1/0091
 84/718
 8,362,350 B2 * 1/2013 Kockovic G10H 1/34
 84/743
 8,420,923 B1 * 4/2013 Choi G10H 1/32
 84/476
 8,609,973 B2 * 12/2013 D'Amours G10H 1/0083
 84/626
 8,891,791 B2 * 11/2014 Olswang G06F 1/1632
 381/119
 9,012,756 B1 * 4/2015 Goldman G10H 1/0066
 84/610
 D735,146 S * 7/2015 Sawada D13/167
 9,093,057 B2 * 7/2015 Mejia G10H 1/02

9,111,517 B2 * 8/2015 Webman G10H 3/18
 9,117,431 B1 * 8/2015 Rudes G10H 1/32
 D750,183 S * 2/2016 Heath D21/686
 9,263,004 B1 * 2/2016 Brown G10D 3/00
 2005/0235813 A1 * 10/2005 Barry G10H 1/342
 84/723
 2005/0252363 A1 * 11/2005 Rockett G10H 1/348
 84/723
 2006/0000347 A1 * 1/2006 Preece G10H 1/36
 84/741
 2006/0159291 A1 * 7/2006 Fliegler G10H 1/0066
 381/118
 2007/0234880 A1 * 10/2007 Adams G10H 1/0066
 84/601
 2008/0105108 A1 * 5/2008 Saenz G09B 15/06
 84/485 R
 2008/0156180 A1 * 7/2008 Bagale G10H 1/40
 84/743
 2008/0184864 A1 * 8/2008 Holt G10H 3/186
 84/267
 2008/0295676 A1 * 12/2008 Yamada G10H 3/186
 84/741
 2009/0120267 A1 * 5/2009 Baggs G09B 15/00
 84/464 R
 2009/0277321 A1 * 11/2009 Sturch G09B 15/003
 84/477 R
 2011/0211713 A1 * 9/2011 Cavallo-Romano ... G10H 3/183
 381/118
 2013/0145922 A1 * 6/2013 Shinoda G10H 1/125
 84/604
 2014/0013929 A1 * 1/2014 El-Khadem G10H 3/18
 84/726
 2015/0059561 A1 * 3/2015 Mejia G10H 1/02
 84/737

OTHER PUBLICATIONS

Fishman, image post date 1999, site visited Mar. 7, 2016, (online),
 <http://produto.mercadolivre.com.br/MLB-673268409-captador-fishman-isys-completo-cavaquinho-e-violo-_JM>.*

* cited by examiner

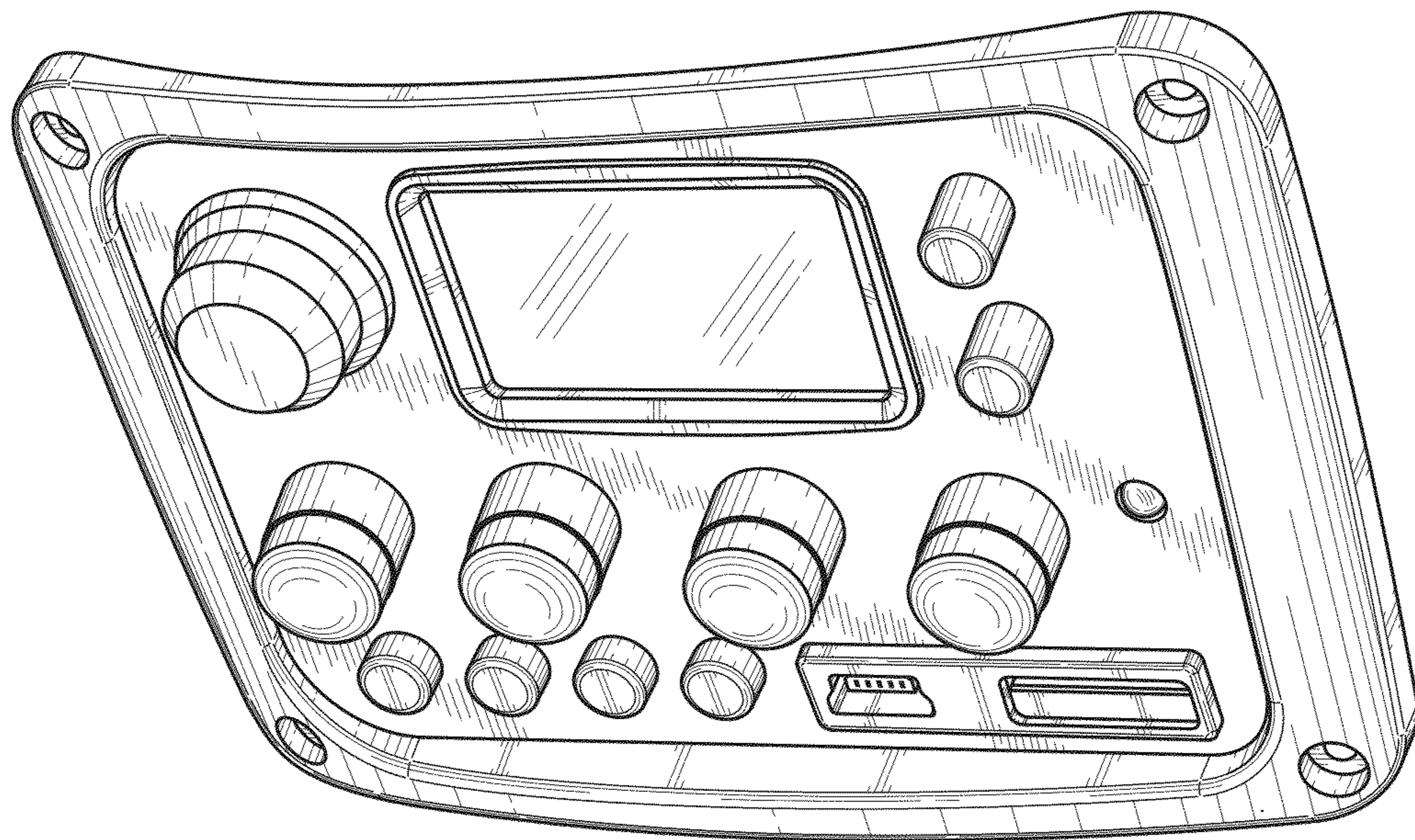


FIG. 1

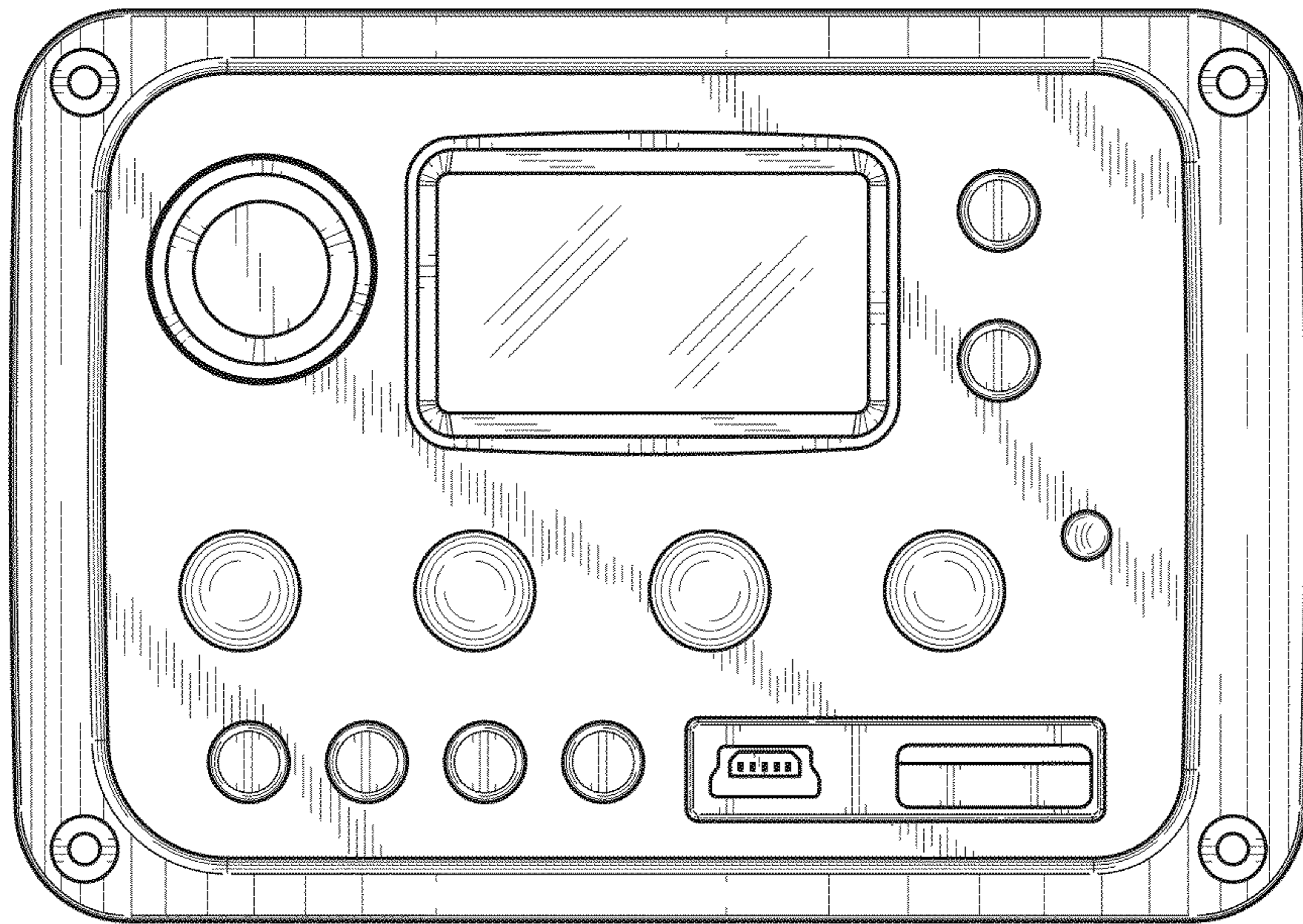


FIG. 2

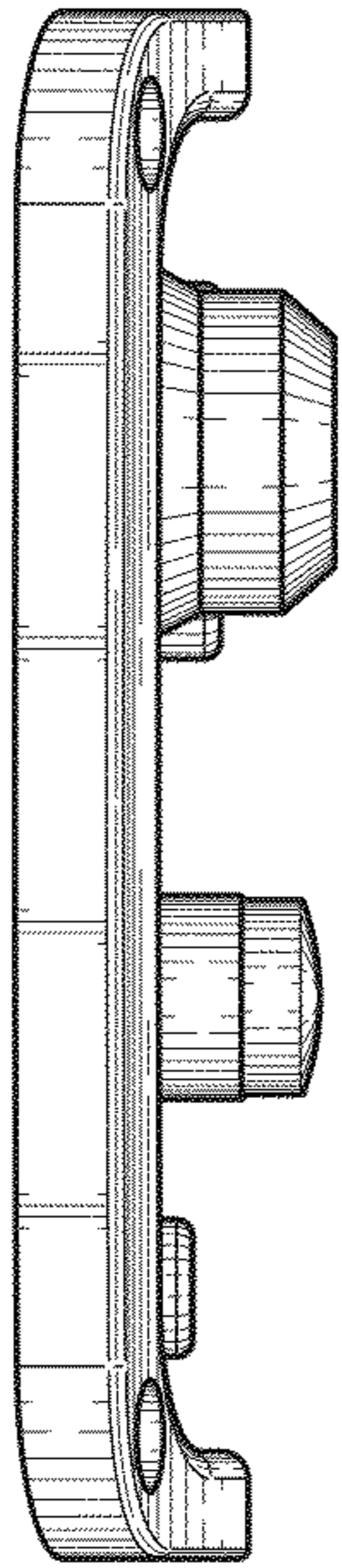


FIG. 3

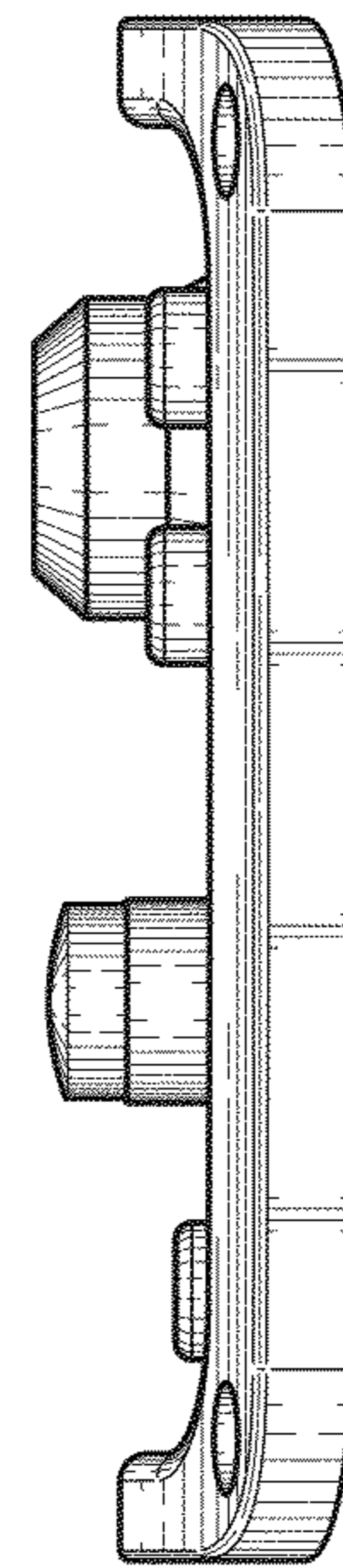


FIG. 4

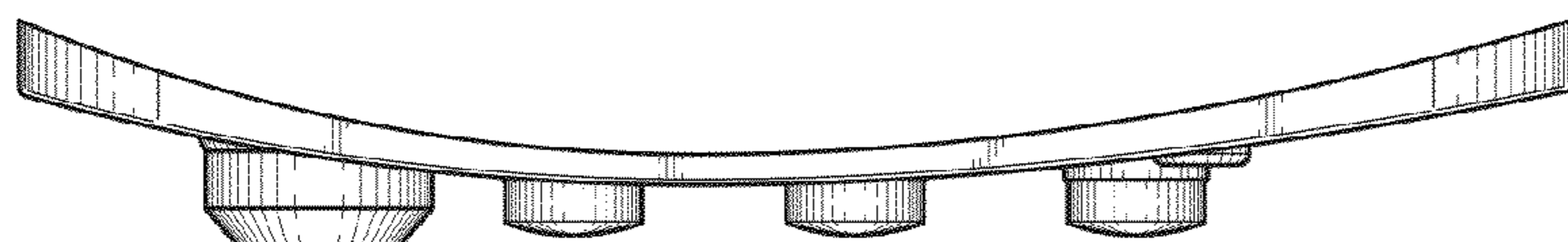


FIG. 5

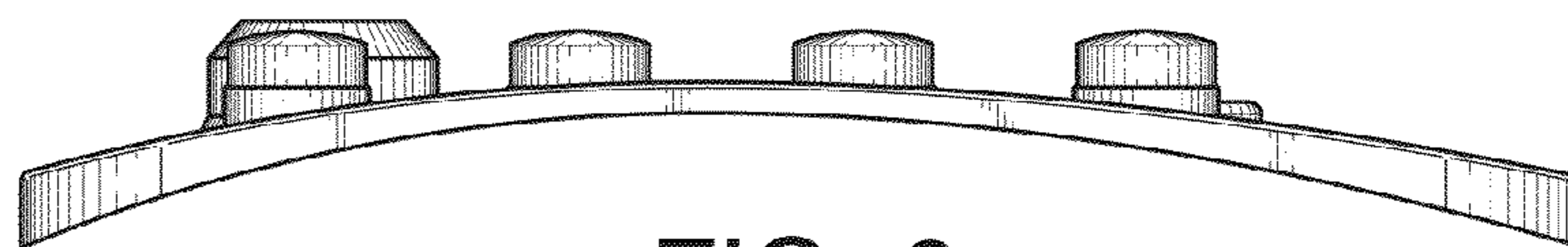


FIG. 6

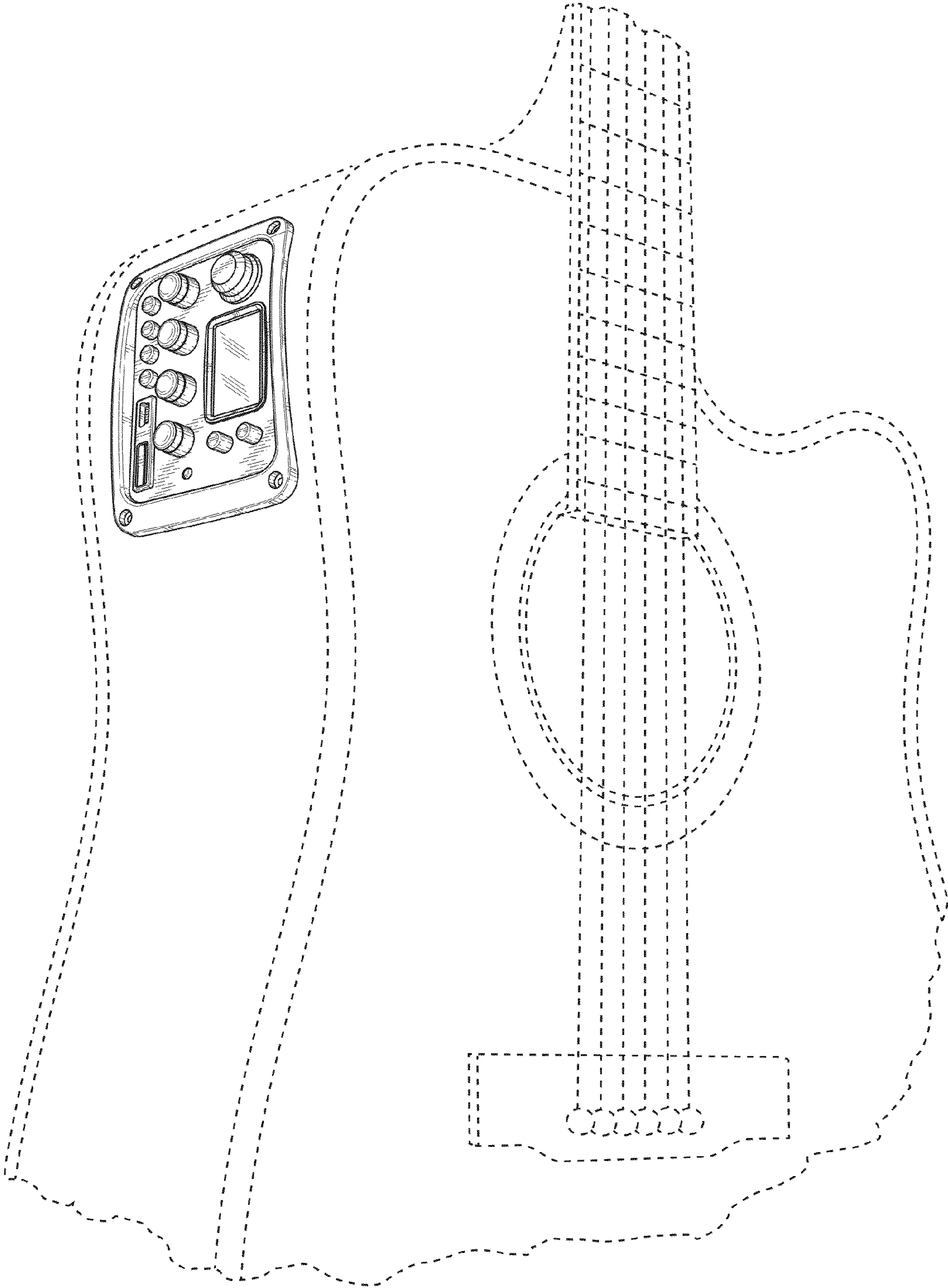


FIG. 7