



US00D759745S

(12) **United States Design Patent**
Fishman

(10) **Patent No.:** **US D759,745 S**
(45) **Date of Patent:** **** Jun. 21, 2016**

- (54) **LOW PROFILE PREAMPLIFIER**
- (71) Applicant: **Lawrence Fishman**, Andover, MA (US)
- (72) Inventor: **Lawrence Fishman**, Andover, MA (US)
- (**) Term: **14 Years**
- (21) Appl. No.: **29/494,330**
- (22) Filed: **Jun. 19, 2014**
- (51) **LOC (10) Cl.** **17-03**
- (52) **U.S. Cl.**
USPC **D17/20**
- (58) **Field of Classification Search**
USPC D10/18, 21, 24, 25, 27, 28, 46, 93,
D10/104.1, 106, 113, 114, 116.1; D17/9,
D17/13, 20, 22, 23, 24, 99, 4, 12, 14, 15, 16,
D17/17, 18, 19, 21; D21/586; D28/7;
D6/582, 583, 585, 592, 595, 596, 597,
D6/601, 602, 603, 606, 608, 610, 617
CPC H05K 7/20727; H05K 7/20581; F04D
25/166; F04D 15/00; F04D 29/664; F24F
3/044; F24F 7/06; F24F 7/065; F24F 13/24;
G10D 13/00; G10D 3/00; G10D 3/18; G10G
5/00; A63H 5/00; A47G 9/00; B60N 2/00
See application file for complete search history.

(56) **References Cited**
U.S. PATENT DOCUMENTS

- D244,717 S * 6/1977 Schneider D17/22
- 4,179,974 A * 12/1979 Trankle G10D 13/029
84/411 P
- D258,068 S * 1/1981 Ostrom D14/197
- 4,479,412 A * 10/1984 Klynas G10H 3/143
84/730
- D297,945 S * 10/1988 Seiler D17/22
- D298,951 S * 12/1988 Benson D17/22

- D316,422 S * 4/1991 Mine D17/22
- D322,271 S * 12/1991 Chen D17/22
- D324,048 S * 2/1992 Tanaka D14/217

(Continued)

OTHER PUBLICATIONS

Fishman Presys 301 Mic Blend Dual Model Guitar Preamp EQ Tuner Piezo Pickup Beat, image post date 2012, site visited Feb. 26, 2016, (online), <<http://www.lazada.com.ph/fishman-presys-301-mic-blend-dual-model-guitar-preamp-eq-tuner-piezo-pickup-beat-2833951.html>>.*

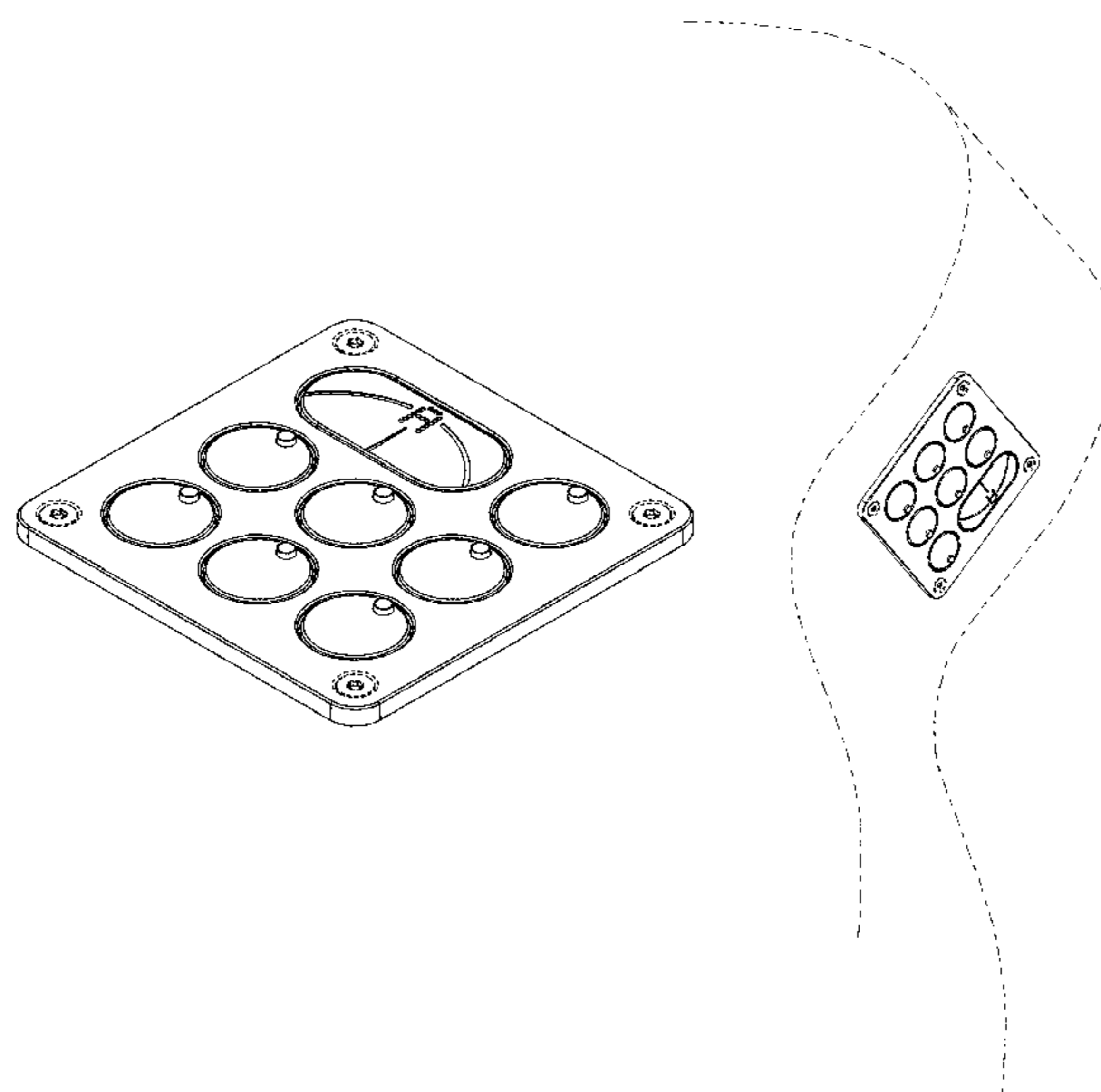
Primary Examiner — Kevin Rudzinski
Assistant Examiner — Sean D Lough
(74) *Attorney, Agent, or Firm* — Buche & Associates, P.C.;
John K. Buche; Bryce A. Johnson

(57) **CLAIM**
I claim the ornamental design for the low profile preamplifier, as shown and described.

DESCRIPTION

FIG. 1 is a perspective view of the low profile preamplifier. FIG. 2 is a top view of the low profile preamplifier of FIG. 1. FIG. 3 is a right-side view of the low profile preamplifier of FIG. 1. FIG. 4 is a left-side view of the low profile preamplifier of FIG. 1. FIG. 5 is a front view of the low profile preamplifier of FIG. 1. FIG. 6 is a back view of the low profile preamplifier of FIG. 1. FIG. 7 is an environmental view of the low profile preamplifier of FIG. 1 that shows a position of use on a guitar. A back view of the low profile preamplifier is not shown because the back forms no part of the claimed design. In the figures, features of the low profile preamplifier drawn in broken lines form no part of the claimed design. In FIG. 7, a guitar body is shown in broken lines as environment forming no part of the claimed design.

1 Claim, 4 Drawing Sheets



(56)

References Cited

U.S. PATENT DOCUMENTS

D329,451 S *	9/1992	Chen	D18/6	7,442,865 B2 *	10/2008	Moghaddam	G10D 1/085
5,225,616 A *	7/1993	Bakeman	G10K 1/072				84/267
			116/141	7,476,799 B2 *	1/2009	Purchon	G10H 1/0091
D338,011 S *	8/1993	Carter	D14/137				84/694
D339,351 S *	9/1993	Matsuoka	D14/217	7,488,877 B2 *	2/2009	Cheng	G10D 3/18
D343,186 S *	1/1994	Omuro	D17/24				84/278
D344,523 S *	2/1994	Kanno	D14/192	D615,978 S *	5/2010	Sogabe	D14/400
D346,339 S *	4/1994	Lintick	D10/104.1	D616,869 S *	6/2010	Skillings	D14/217
D354,494 S *	1/1995	Schumaker	D10/49	D622,724 S *	8/2010	Burke	D14/218
D359,978 S *	7/1995	Eagle	D17/22	D630,616 S *	1/2011	Vex	D14/217
D375,515 S *	11/1996	Takeda	D14/347	D631,048 S *	1/2011	Adriano	D14/399
D378,826 S *	4/1997	Dijkstra	D18/7	D633,094 S *	2/2011	Adriano	D14/399
D384,698 S *	10/1997	Chan	D14/346	D660,808 S *	5/2012	McMillen	D13/167
5,929,354 A *	7/1999	Davis	G10D 13/029	D669,117 S *	10/2012	de Neufville	D17/20
			84/411 P	D674,374 S *	1/2013	Roberts	D14/217
D444,493 S *	7/2001	Behringer	D14/217	D703,263 S *	4/2014	D'Addario	D17/99
D464,995 S *	10/2002	Griffin	D21/329	8,704,065 B2 *	4/2014	Korfker	G10D 3/18
D471,559 S *	3/2003	De Saulles	D14/247				84/280
D477,625 S *	7/2003	Hsu	D18/7	D706,230 S *	6/2014	McMillen	D13/164
D487,905 S *	3/2004	Nelson	D17/99	D711,963 S *	8/2014	Gilmore	D17/20
D495,756 S *	9/2004	Carley	D21/405	8,895,827 B1 *	11/2014	Grossman	G10D 13/02
D516,073 S *	2/2006	Boswell	D14/399				84/411 M
D533,173 S *	12/2006	Lee	D14/247	9,153,214 B2 *	10/2015	Korfker	G10D 3/18
D535,321 S *	1/2007	Butler	D17/20	2003/0188622 A1 *	10/2003	Wilson	G10D 1/085
D540,396 S *	4/2007	Kawanobe	D14/401				84/267
D552,613 S *	10/2007	Tan	D14/436	2004/0080810 A1 *	4/2004	Martin	H01L 23/66
D555,715 S *	11/2007	Butler	D17/20				359/333
D559,891 S *	1/2008	Kent	D18/7	2005/0252363 A1 *	11/2005	Rockett	G10H 1/348
7,326,849 B2 *	2/2008	Adams	G10H 1/0066				84/723
			84/743	2011/0203441 A1 *	8/2011	Naylor	G10G 5/005
D568,884 S *	5/2008	Kawanobe	D14/401				84/327
7,417,184 B2 *	8/2008	Weathersby	G10D 3/163	2014/0202316 A1 *	7/2014	Szalay	G10H 1/0066
			84/322				84/645
				2015/0380235 A1 *	12/2015	Hanna	H01L 21/02002
							156/285

* cited by examiner

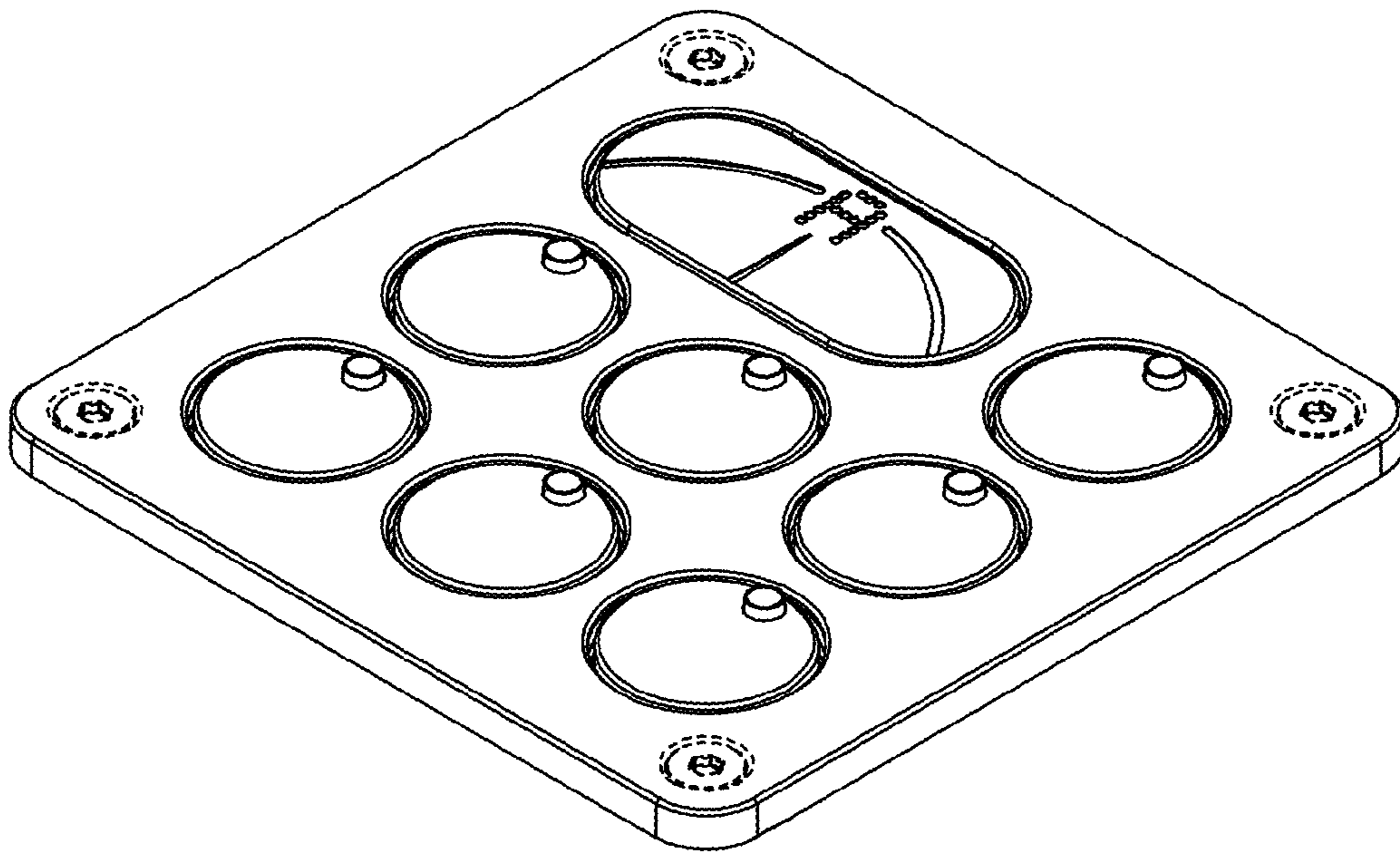


FIG. 1

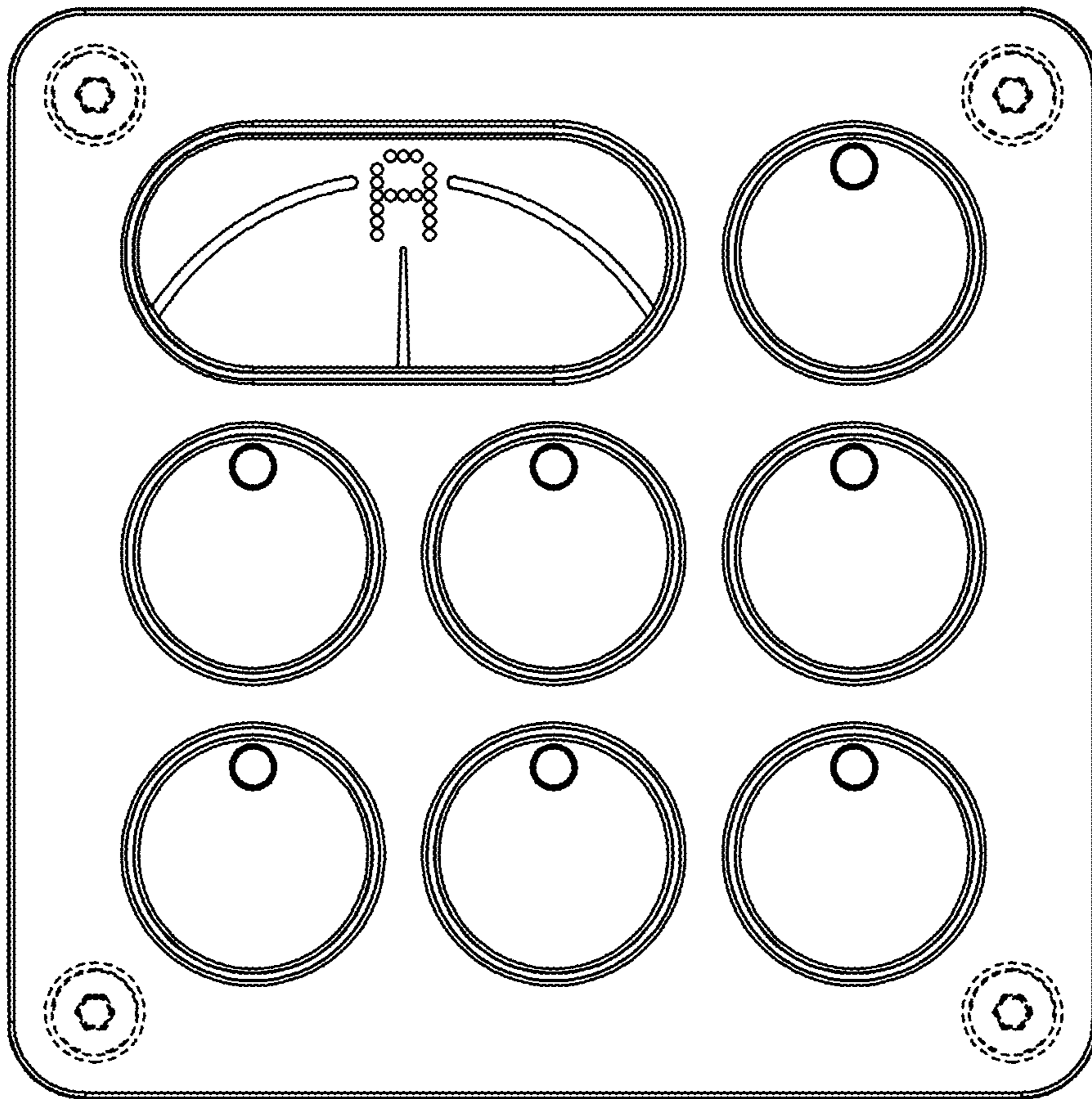


FIG. 2

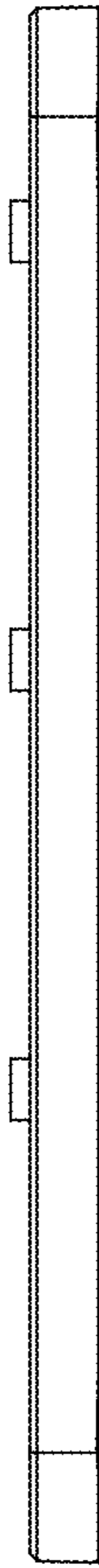


FIG. 3

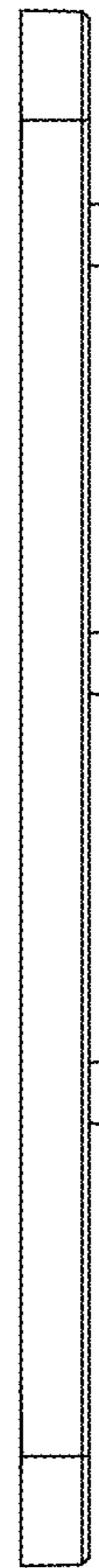


FIG. 4



FIG. 5



FIG. 6

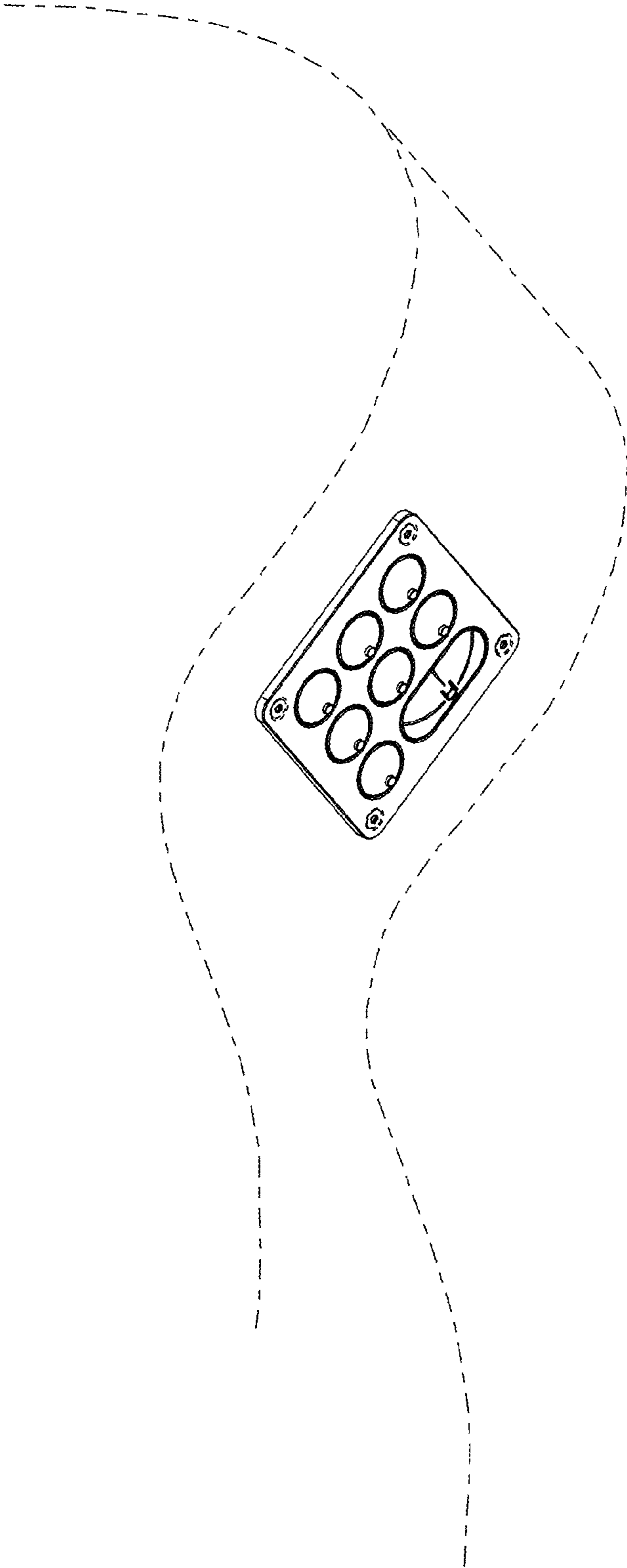


FIG. 7