



US00D759743S

(12) **United States Design Patent**
Tajima

(10) **Patent No.:** **US D759,743 S**
(45) **Date of Patent:** **** Jun. 21, 2016**

(54) **SIGHTING DEVICE**

(71) Applicant: **OLYMPUS CORPORATION**,
Shibuya-ku, Tokyo (JP)
(72) Inventor: **Kenji Tajima**, Hachioji (JP)
(73) Assignee: **OLYMPUS CORPORATION**, Tokyo
(JP)

(**) Term: **14 Years**

(21) Appl. No.: **29/524,688**

(22) Filed: **Apr. 22, 2015**

(30) **Foreign Application Priority Data**

Feb. 2, 2015 (JP) 2015-001969

(51) **LOC (10) Cl.** **16-05**

(52) **U.S. Cl.**
USPC **D16/220**

(58) **Field of Classification Search**
USPC D16/200, 202-205, 208, 218, 219, 220,
D16/237; 348/333.06, 373-376; 396/296,
396/373-378, 535, 539-541
CPC G03B 17/02; G03B 19/04; G03B 17/56;
G03B 17/04; G03B 15/03; G03B 17/14;
G02B 7/02; G02B 7/04; G02B 7/14; H04N
5/2251; H04N 5/2252; H04N 5/2253; H04N
5/2254

See application file for complete search history.

(56) **References Cited**

U.S. PATENT DOCUMENTS

D124,236 S * 12/1940 Mihaly D16/220
D224,941 S * 10/1972 Kanno D16/220
3,967,299 A * 6/1976 Shono G03B 19/12

396/384
D400,226 S * 10/1998 Tenne D16/220
D412,925 S * 8/1999 Tashiro D16/220
D418,531 S * 1/2000 Hayashi D16/220
D554,170 S * 10/2007 Grotto D16/203
D629,826 S * 12/2010 Funakoshi D16/220
D647,939 S * 11/2011 Jannard D16/219
D686,267 S * 7/2013 Mihara D16/202
D723,608 S * 3/2015 Kim D16/219
2004/0042783 A1 * 3/2004 Diana F16M 11/10
396/427

* cited by examiner

Primary Examiner — Philip S Hyder

Assistant Examiner — Ramzi Almatrahi

(74) *Attorney, Agent, or Firm* — Holtz, Holtz & Volek PC

(57) **CLAIM**

The ornamental design for a sighting device, as shown.

DESCRIPTION

FIG. 1 is a front, top and right side perspective view of a sighting device showing my new design;
FIG. 2 is a front elevational view thereof;
FIG. 3 is a rear elevational view thereof;
FIG. 4 is a top plan view thereof;
FIG. 5 is a bottom plan view thereof;
FIG. 6 is a right side elevational view thereof;
FIG. 7 is a left side elevational view thereof;
FIG. 8 is a front, top and right side perspective view thereof, showing the sighting device in an open position;
FIG. 9 is a front elevational view of FIG. 8;
FIG. 10 is a rear elevational view of FIG. 8;
FIG. 11 is a top plan view of FIG. 8;
FIG. 12 is a bottom plan view of FIG. 8;
FIG. 13 is a right side elevational view of FIG. 8; and,
FIG. 14 is a left side elevational view of FIG. 8.

1 Claim, 8 Drawing Sheets

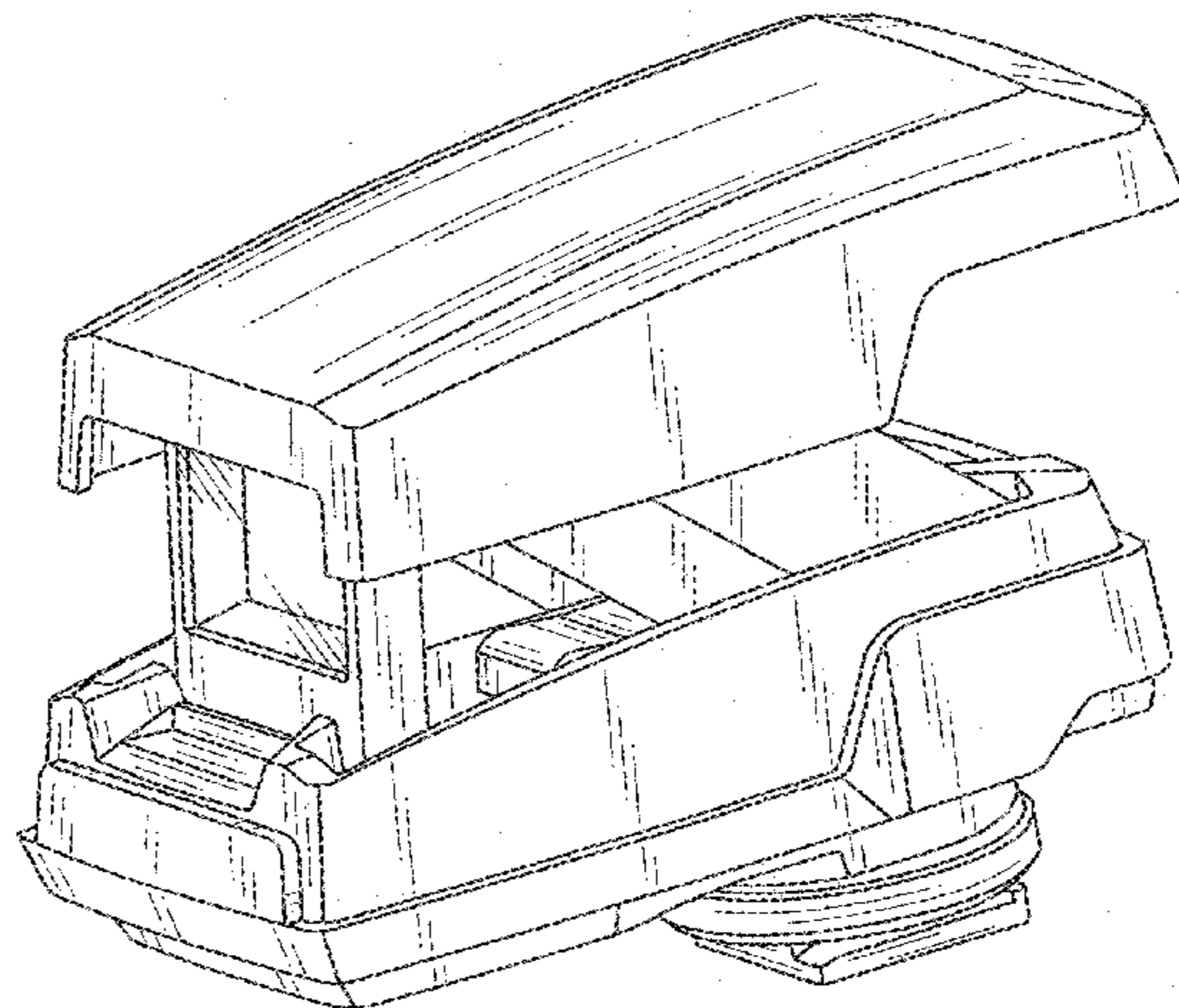
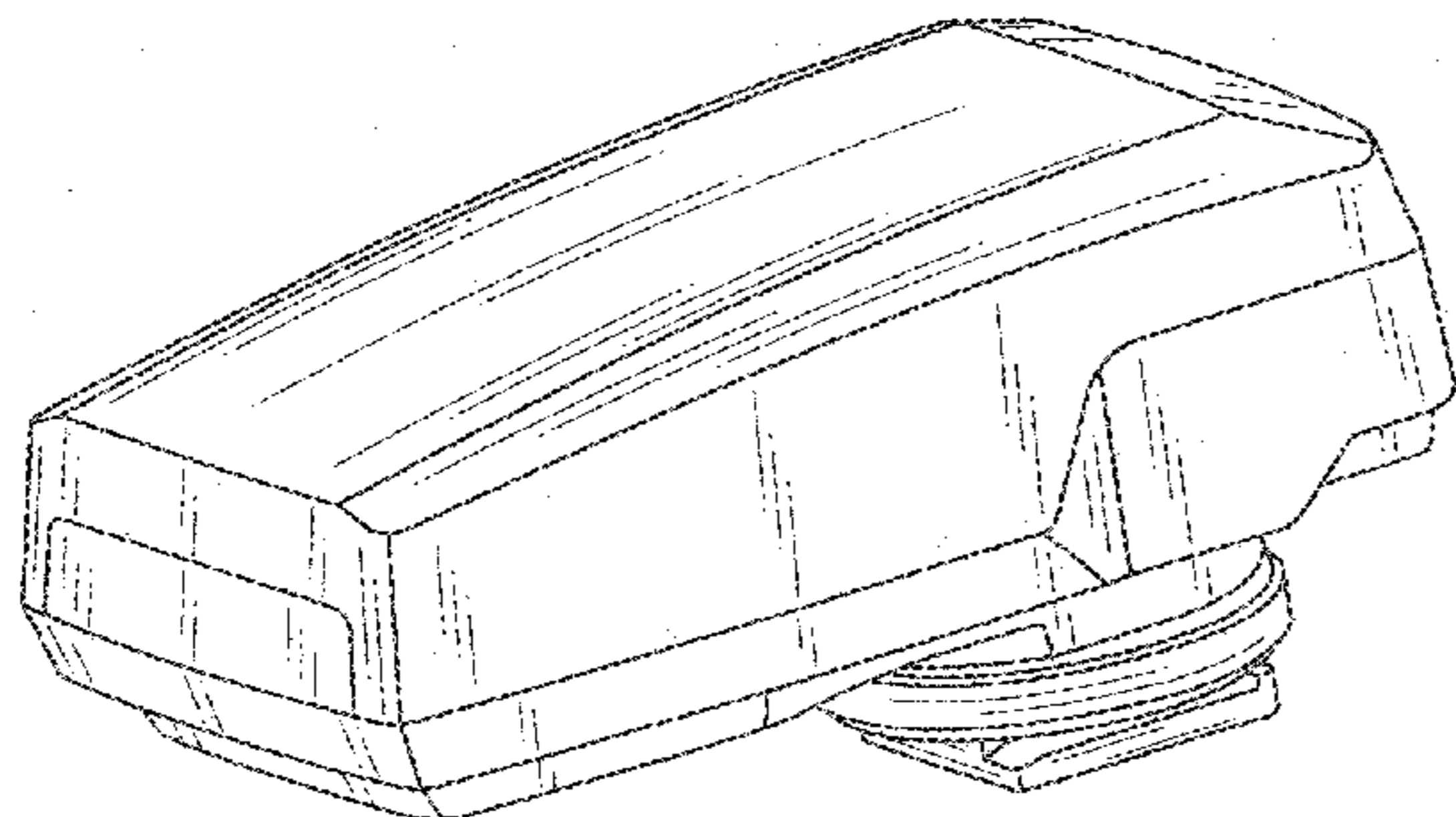


FIG.1

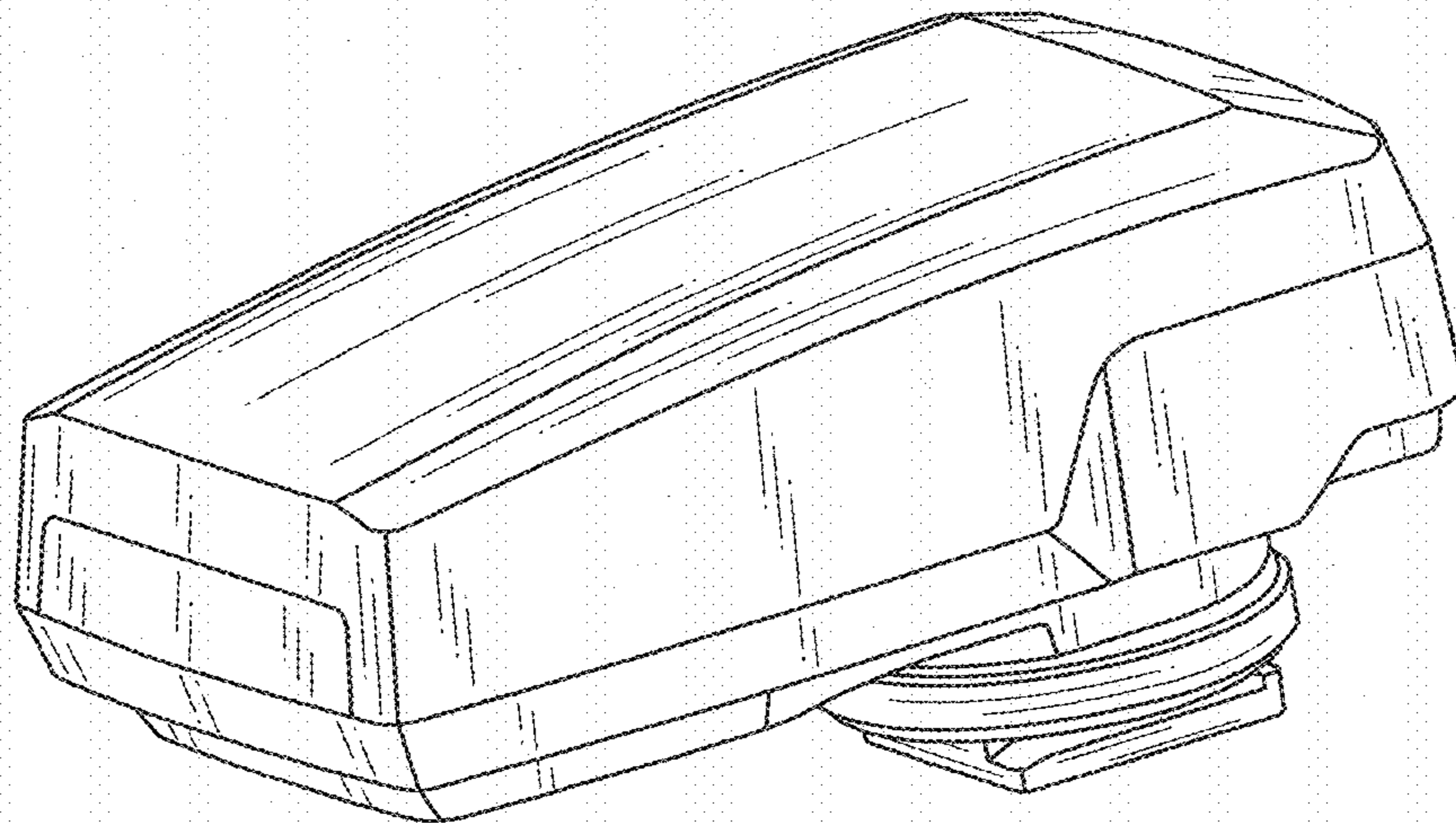


FIG.2

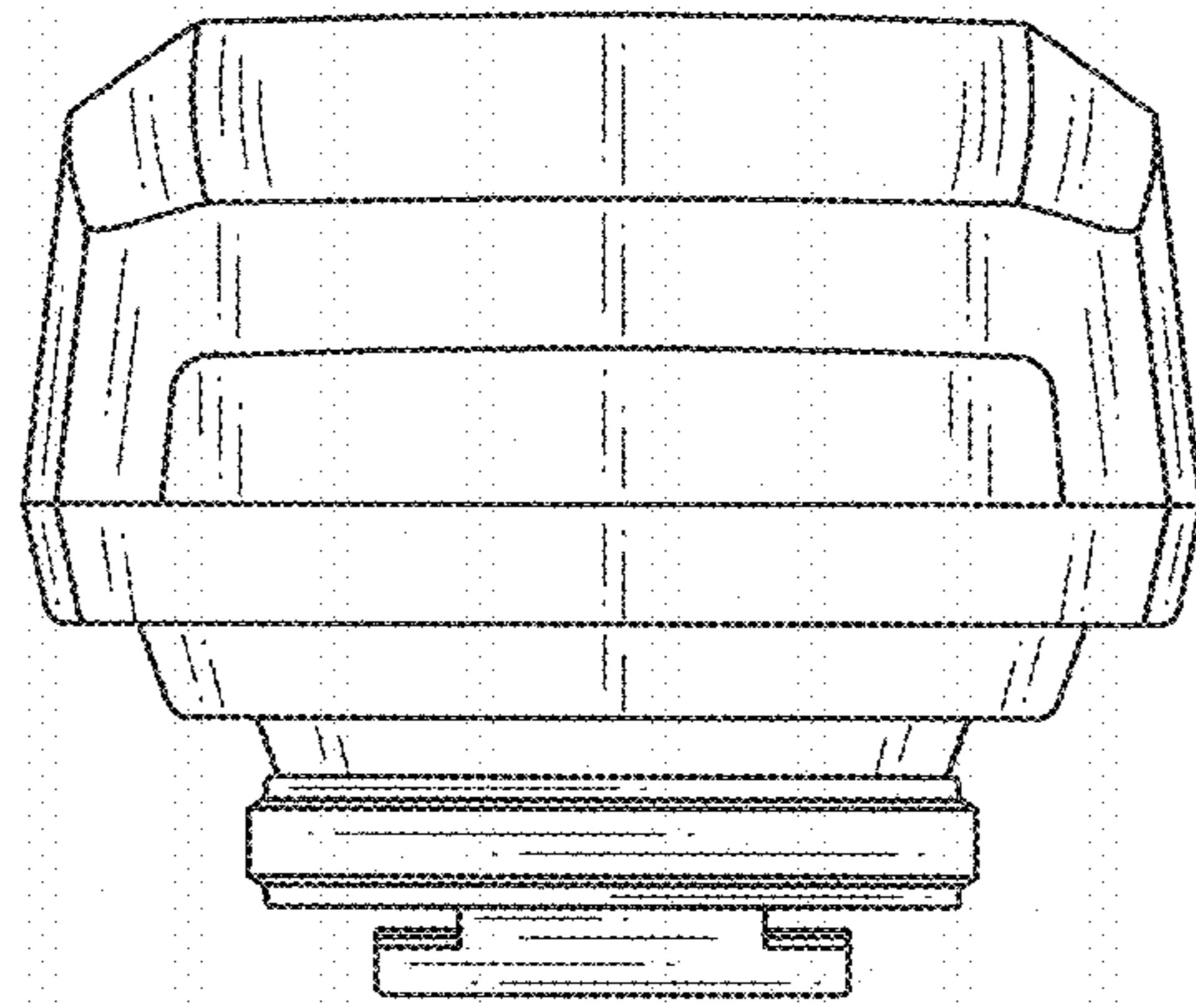


FIG.3

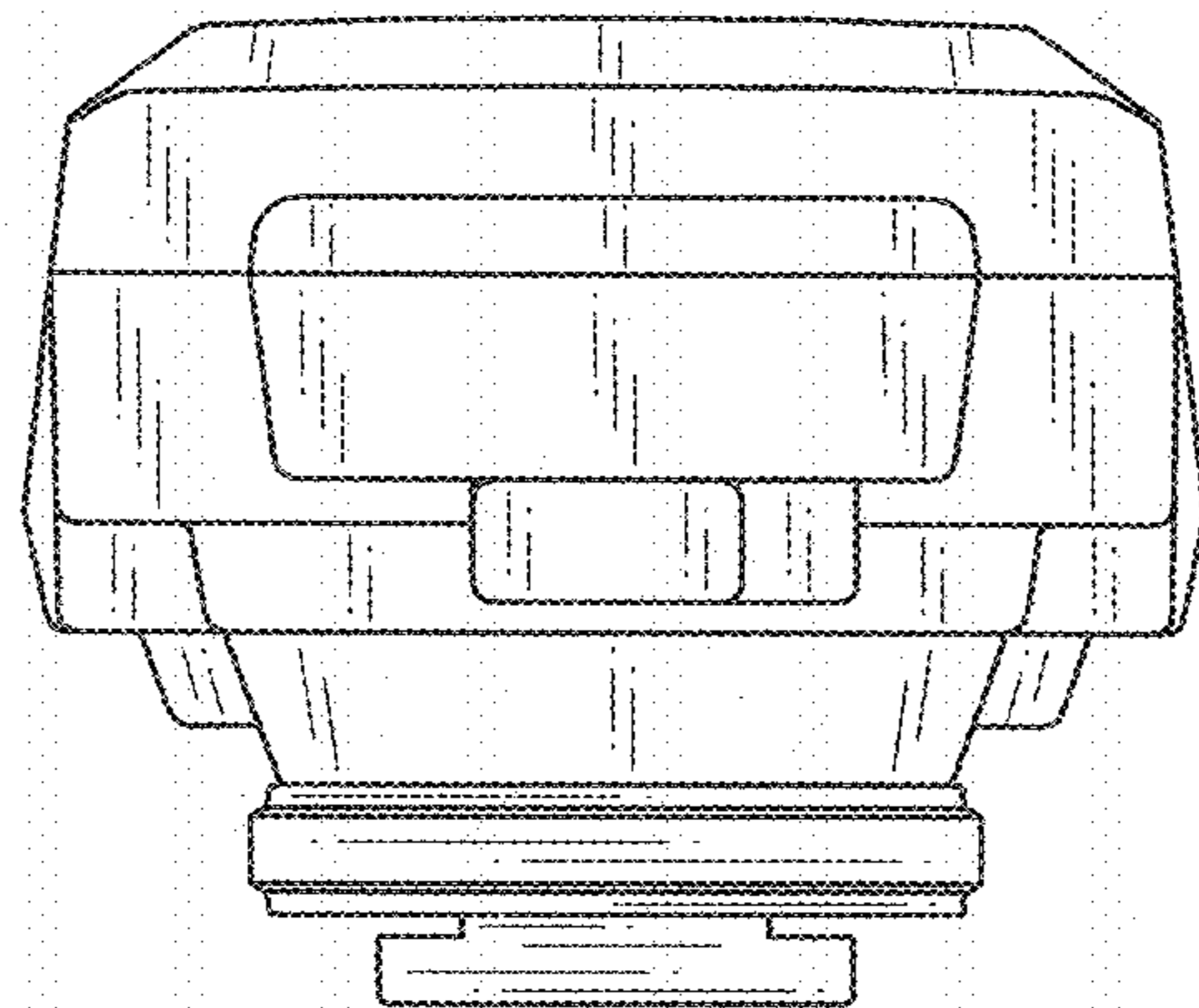


FIG.4

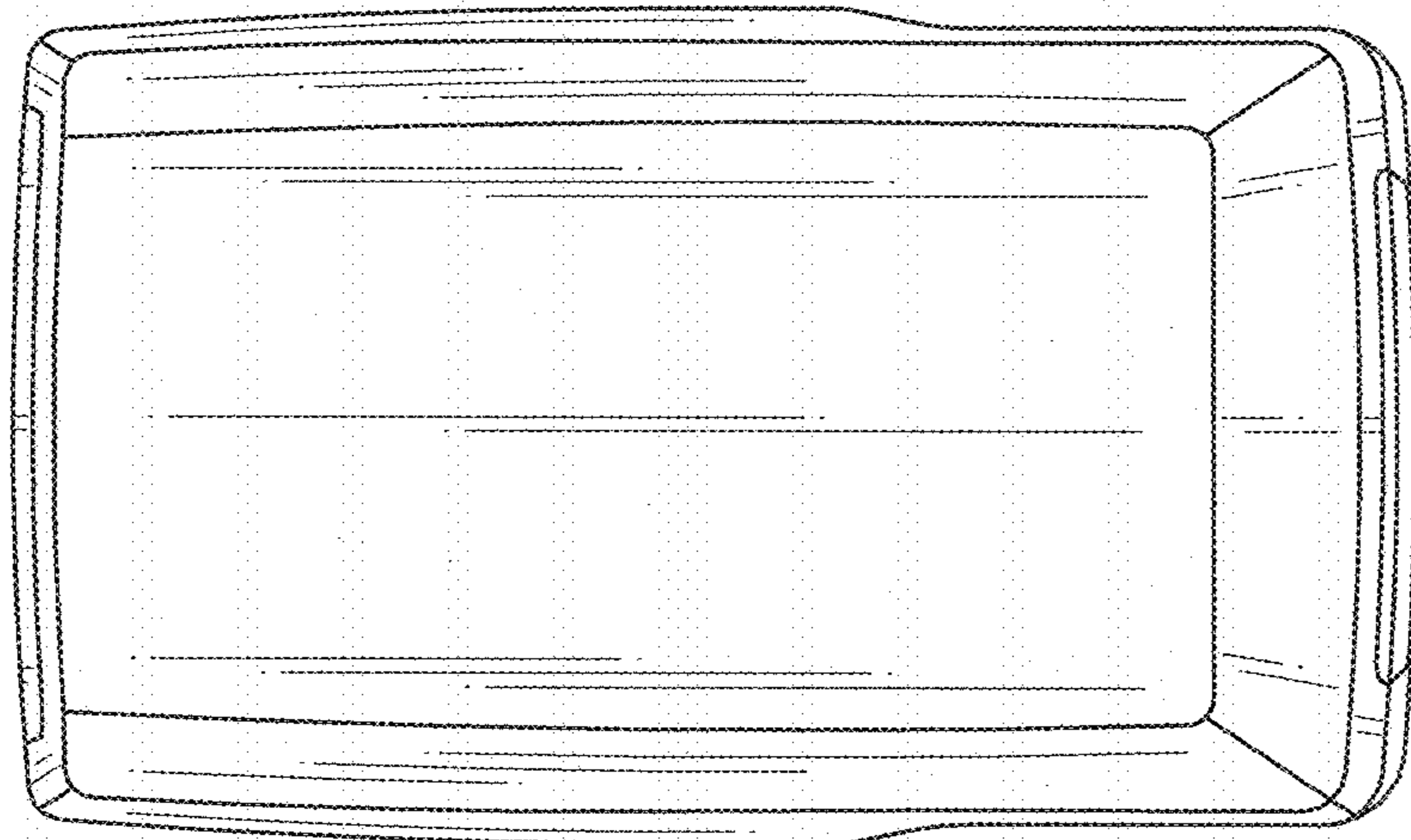


FIG.5

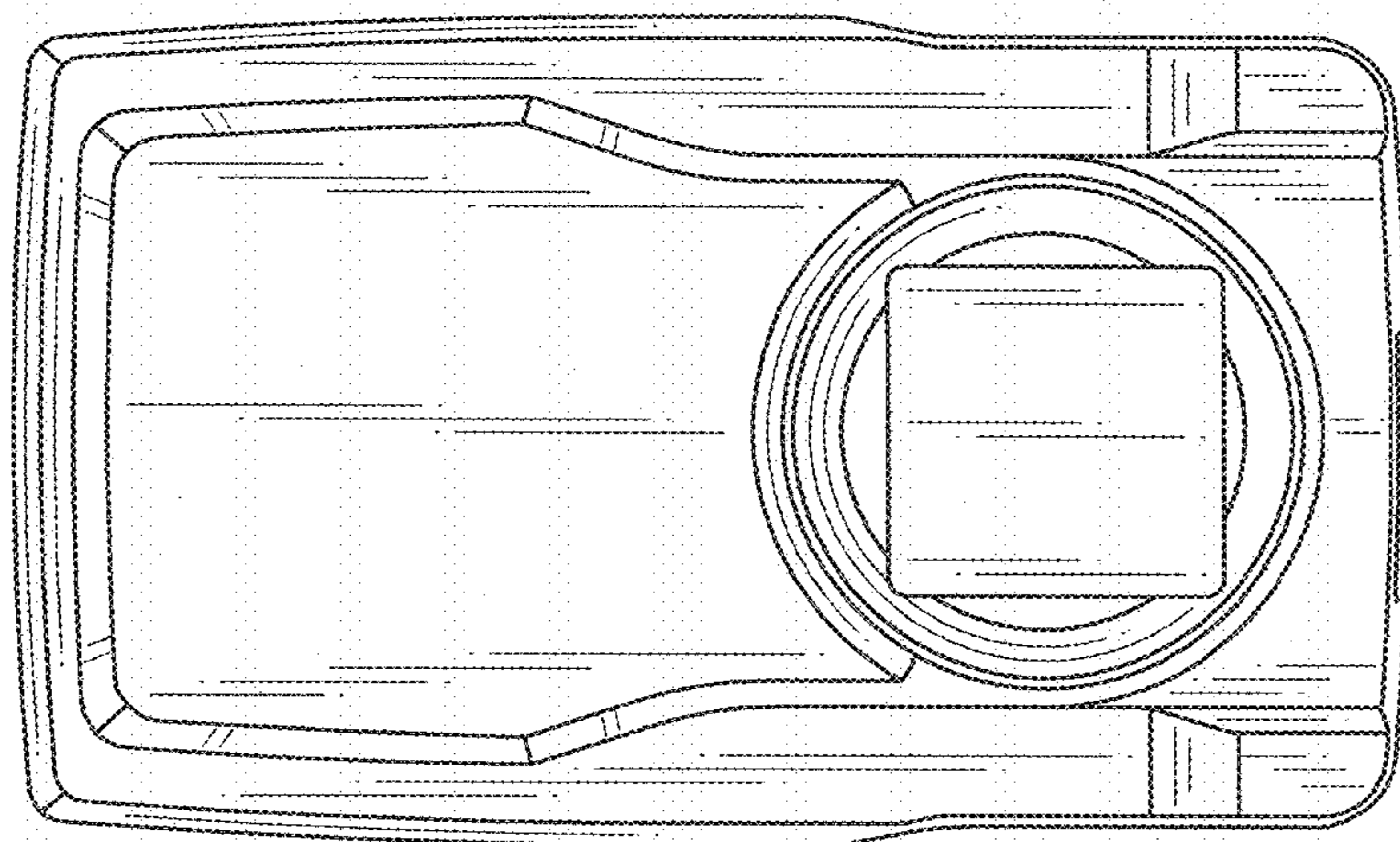


FIG.6

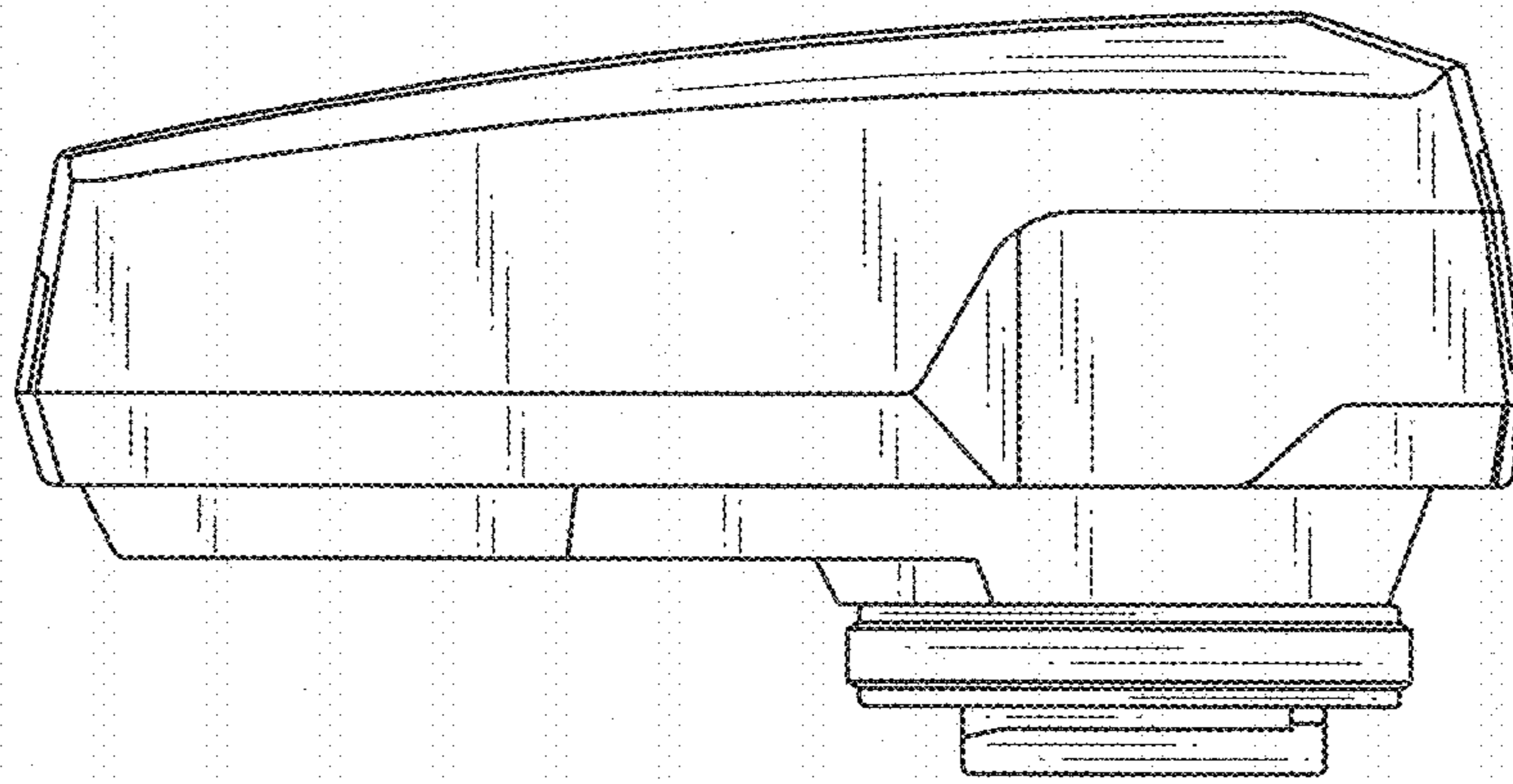


FIG.7

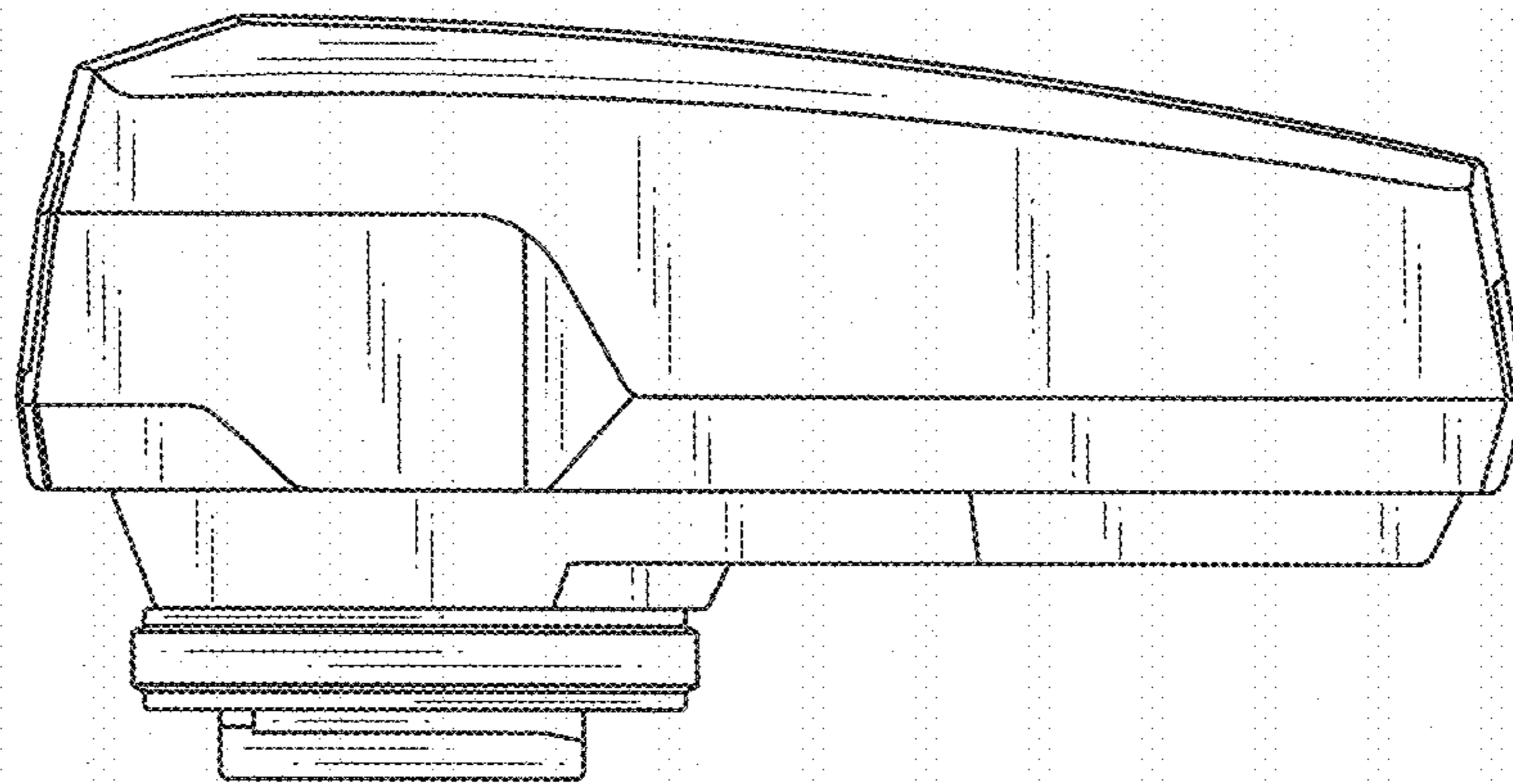


FIG.8

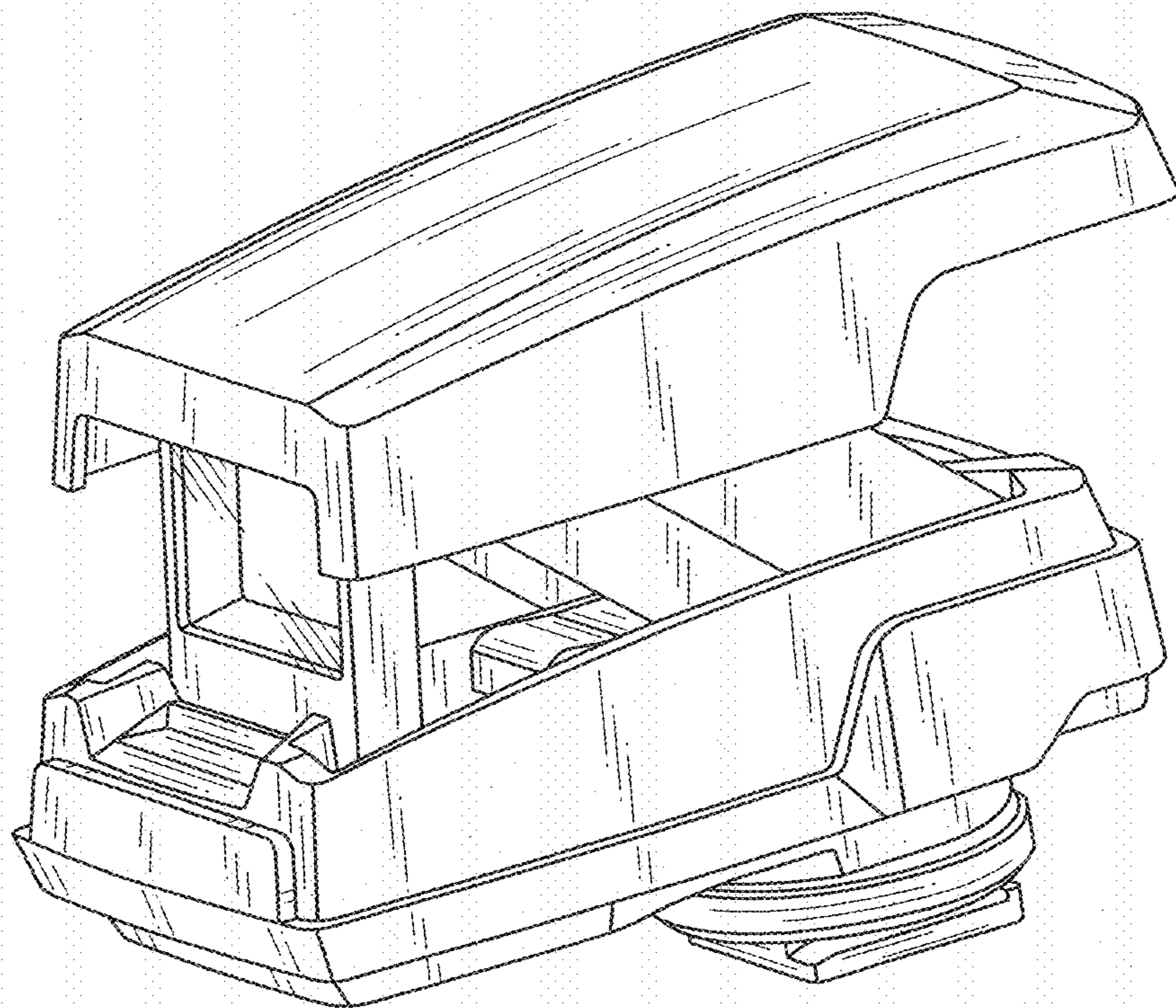


FIG.9

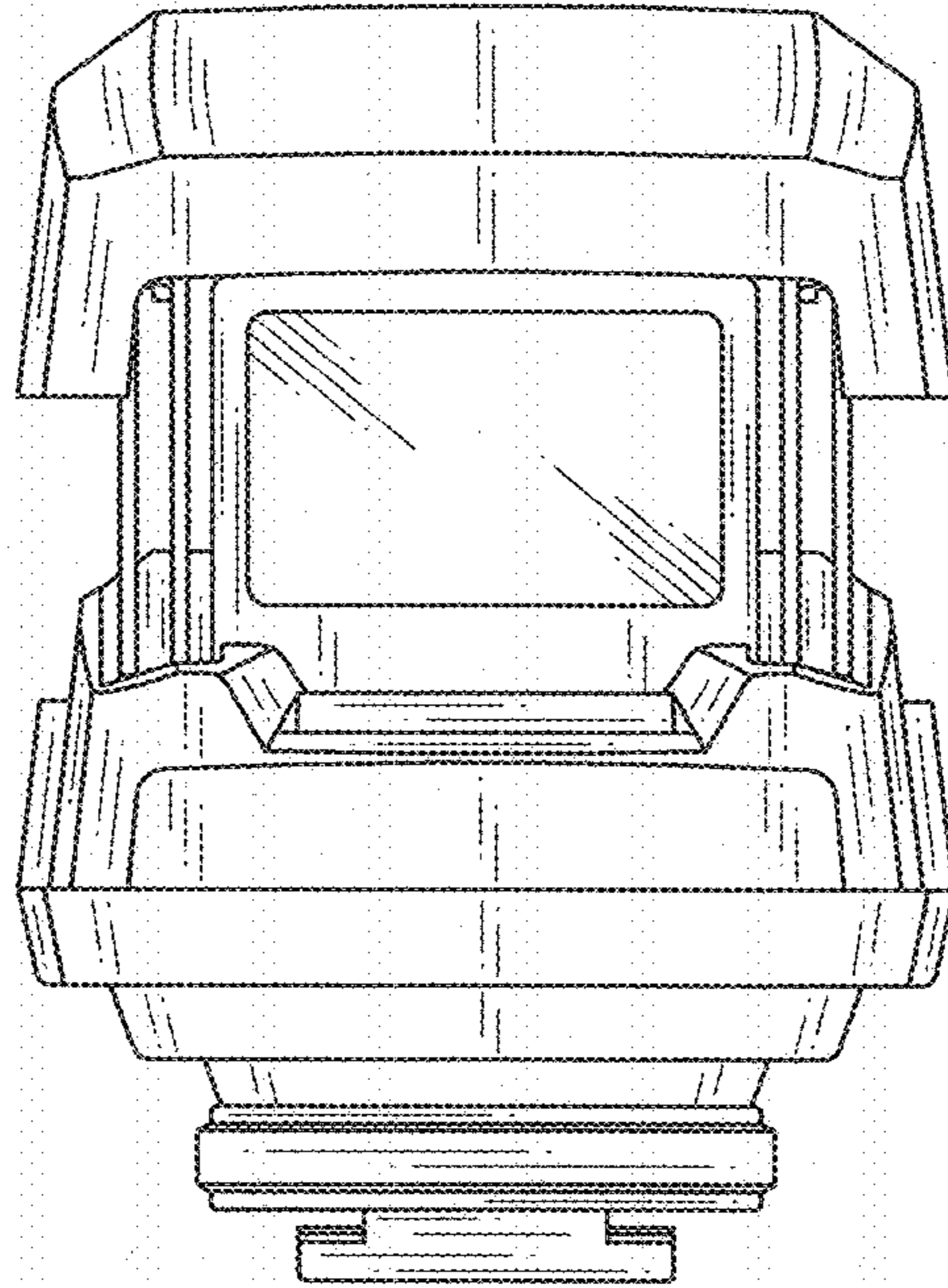


FIG.10

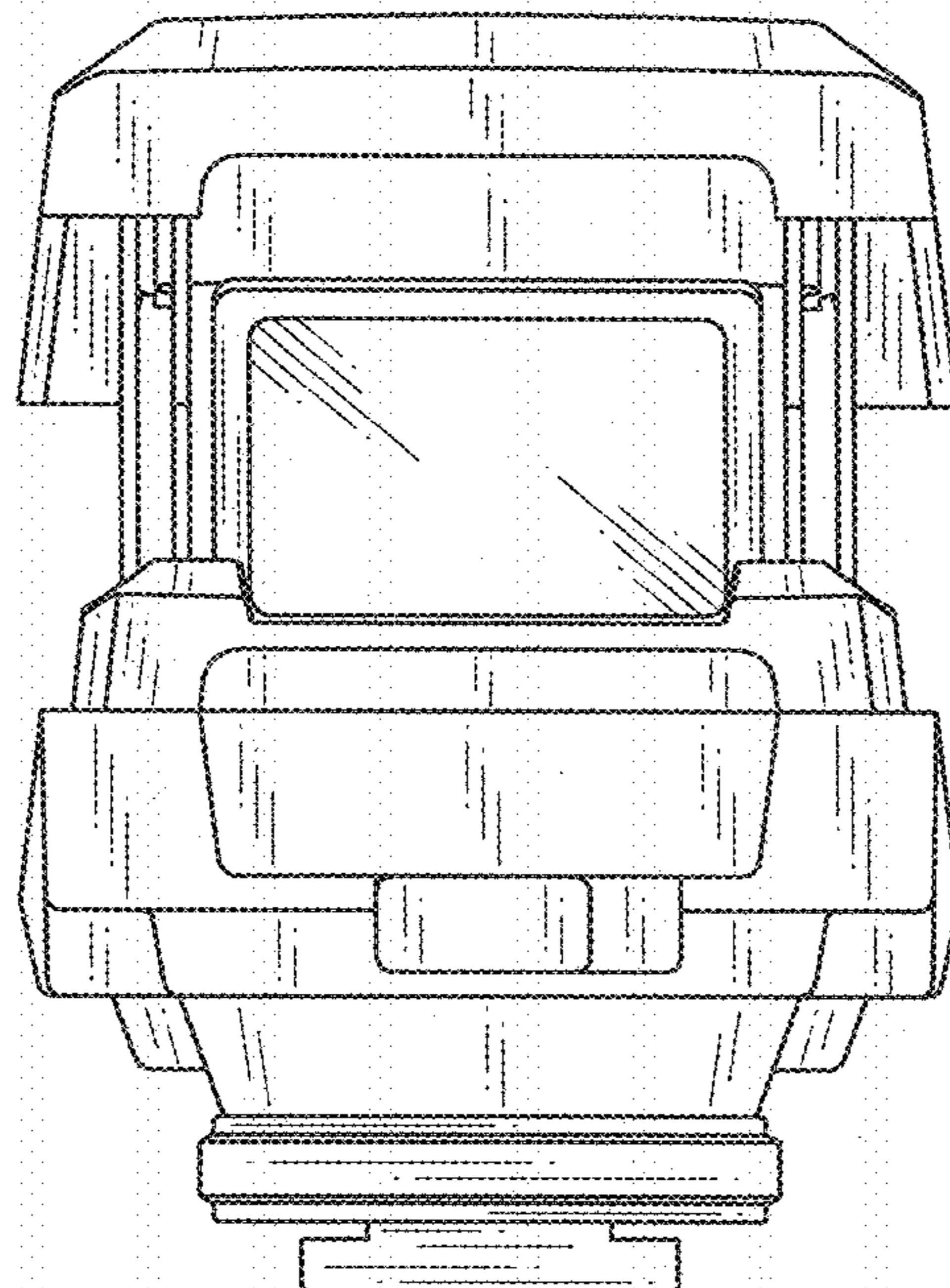


FIG. 11

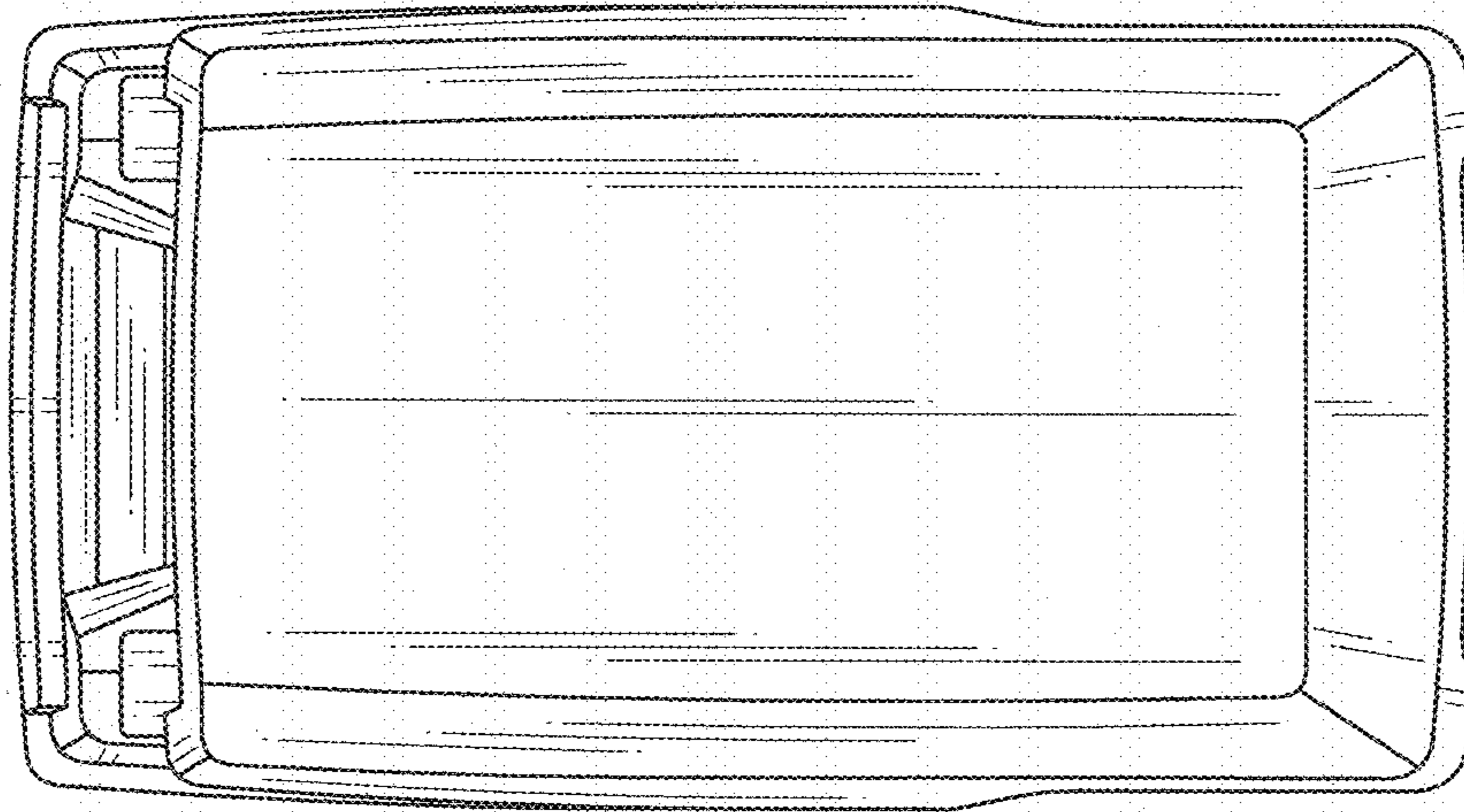


FIG. 12

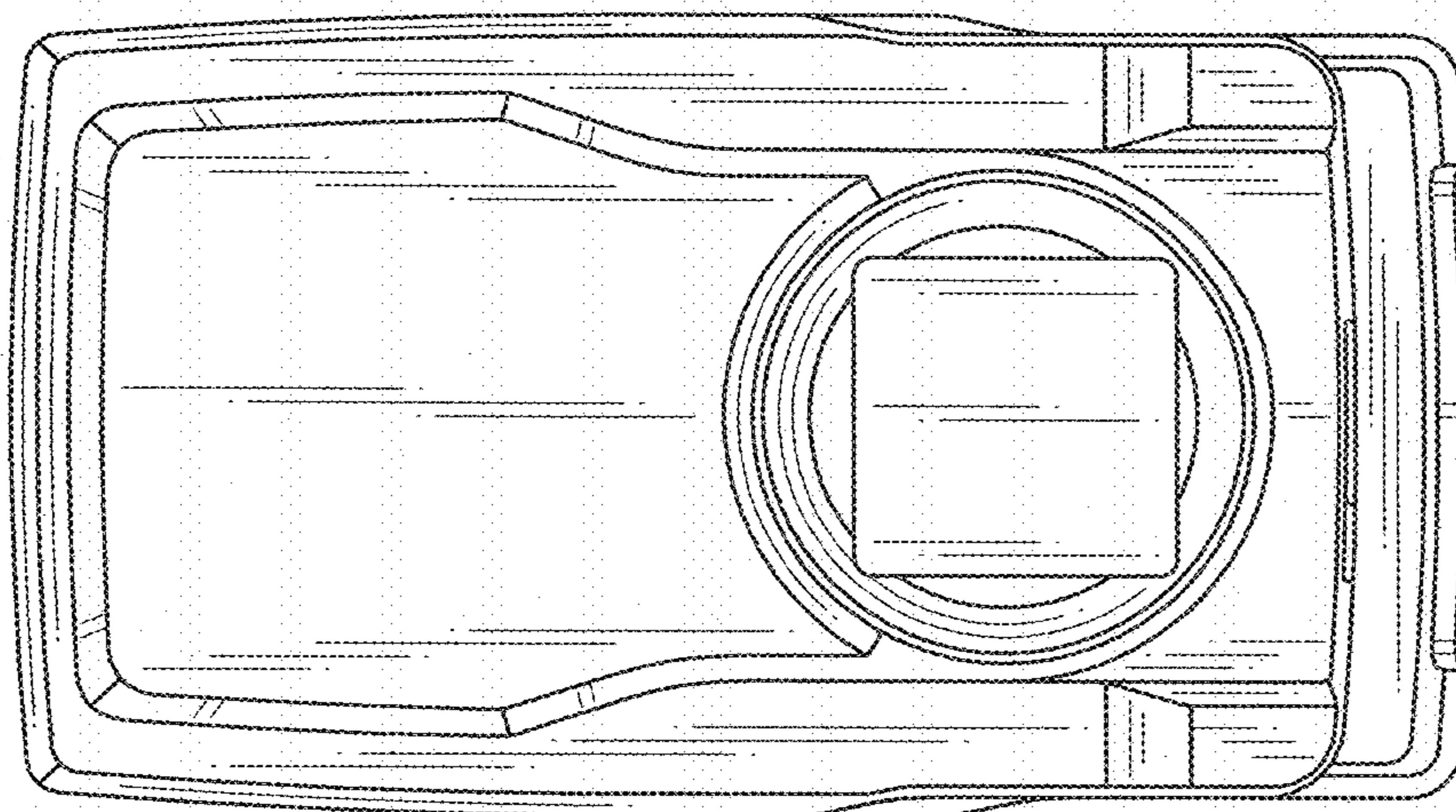


FIG. 13

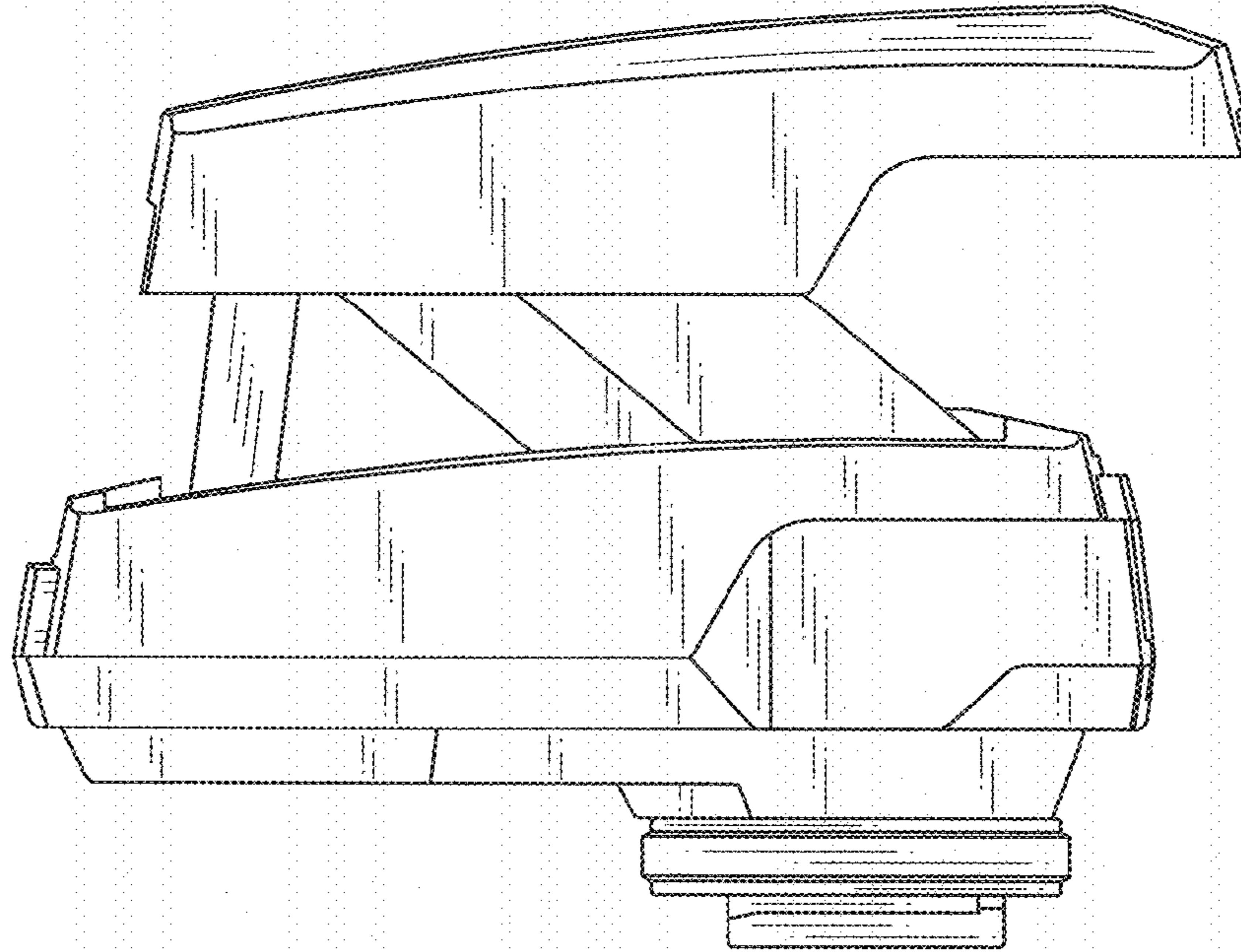


FIG. 14

