

US00D759742S

(12) **United States Design Patent**  
**Kim et al.**

(10) **Patent No.:** **US D759,742 S**  
(45) **Date of Patent:** **\*\* Jun. 21, 2016**

(54) **DIGITAL CAMERA**

(71) Applicant: **SAMSUNG ELECTRONICS CO., LTD.**, Gyeonggi-Do (KR)

(72) Inventors: **Joo-Hyung Kim**, Seoul (KR); **Min Ki Ham**, Seoul (KR)

(73) Assignee: **Samsung Electronics Co., Ltd.**, Suwon-si (KR)

(\*\*) Term: **14 Years**

(21) Appl. No.: **29/471,452**

(22) Filed: **Oct. 31, 2013**

**Related U.S. Application Data**

(63) Continuation of application No. 29/423,341, filed on May 31, 2012, now Pat. No. Des. 695,802.

(51) **LOC (10) Cl.** ..... **16-01**

(52) **U.S. Cl.**  
USPC ..... **D16/200; D16/219**

(58) **Field of Classification Search**  
USPC ..... D16/134, 200, 202, 204, 218, 219;  
348/373, 374, 375, 376; 358/909.1;  
396/535-541

See application file for complete search history.

(56) **References Cited**

**U.S. PATENT DOCUMENTS**

D338,028 S \* 8/1993 Takahashi ..... D16/134  
D427,221 S \* 6/2000 Ono ..... D16/134

D496,379 S \* 9/2004 Do ..... D16/134  
7,106,963 B2 \* 9/2006 Shibata ..... 396/535  
D552,646 S \* 10/2007 Bai ..... D16/202  
D555,689 S \* 11/2007 Yoo et al. .... D16/202  
D556,229 S \* 11/2007 Bai ..... D16/202  
7,983,557 B2 \* 7/2011 Misawa et al. .... 396/541  
D683,381 S \* 5/2013 Asano ..... D16/219  
D693,869 S \* 11/2013 Asano ..... D16/219  
D695,802 S \* 12/2013 Kim et al. .... D16/200  
2004/0155966 A1 \* 8/2004 Jang et al. .... 348/207.1  
2012/0002069 A1 \* 1/2012 Takagi ..... 348/222.1

\* cited by examiner

*Primary Examiner* — Philip S Hyder

*Assistant Examiner* — Darlington Ly

(74) *Attorney, Agent, or Firm* — Ladas & Parry LLP

(57) **CLAIM**

The ornamental design for a digital camera, as shown and described.

**DESCRIPTION**

FIG. 1 is a front perspective view of a digital camera showing our new design;

FIG. 2 is a front view thereof;

FIG. 3 is a rear view thereof;

FIG. 4 is a left-side view thereof;

FIG. 5 is a right-side view thereof;

FIG. 6 is a top view thereof; and,

FIG. 7 is a bottom view thereof.

The broken lines shown in the drawings illustrate portions of the digital camera that Form no part of the claimed design.

**1 Claim, 7 Drawing Sheets**

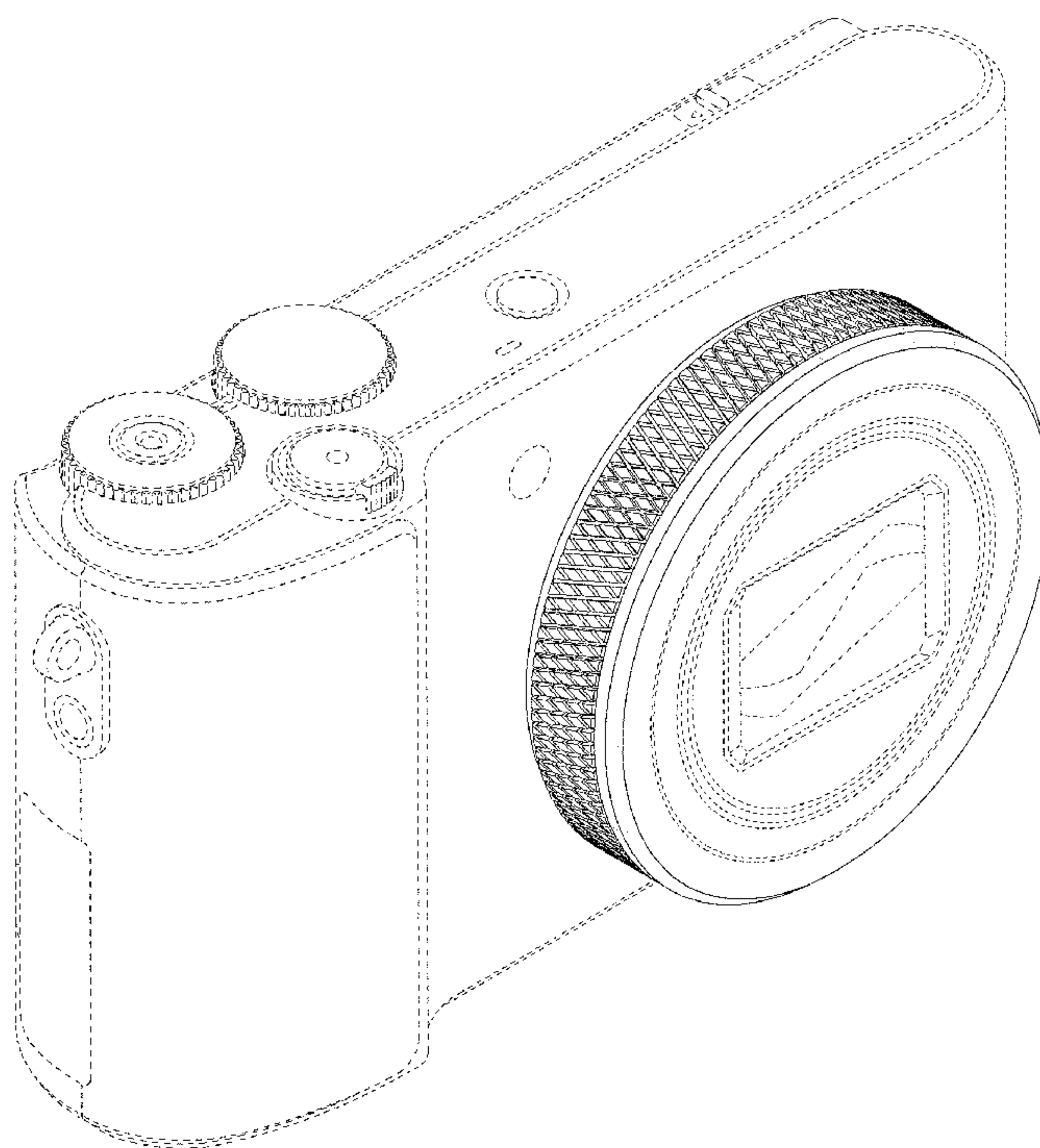


FIG.1

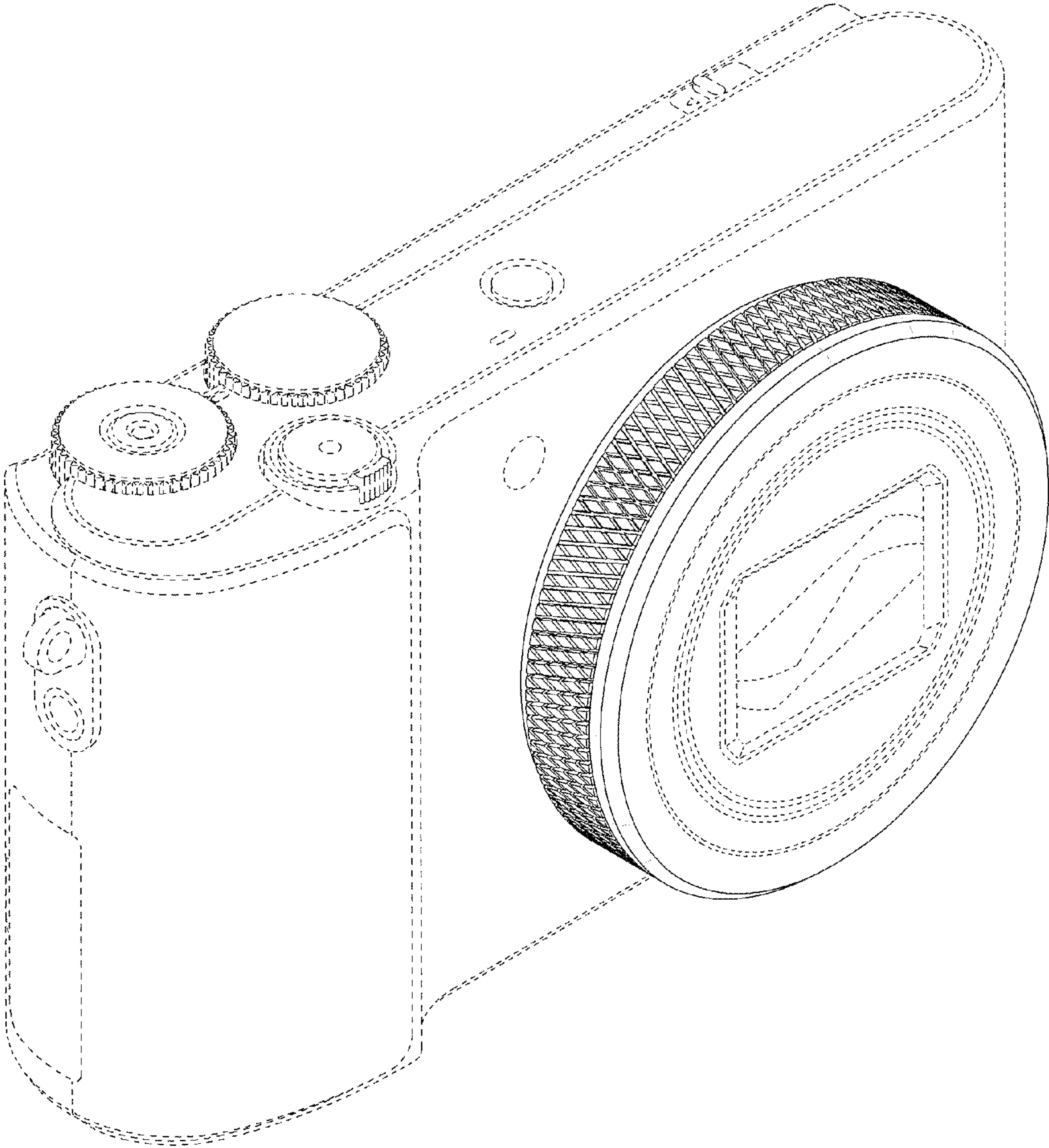


FIG.2

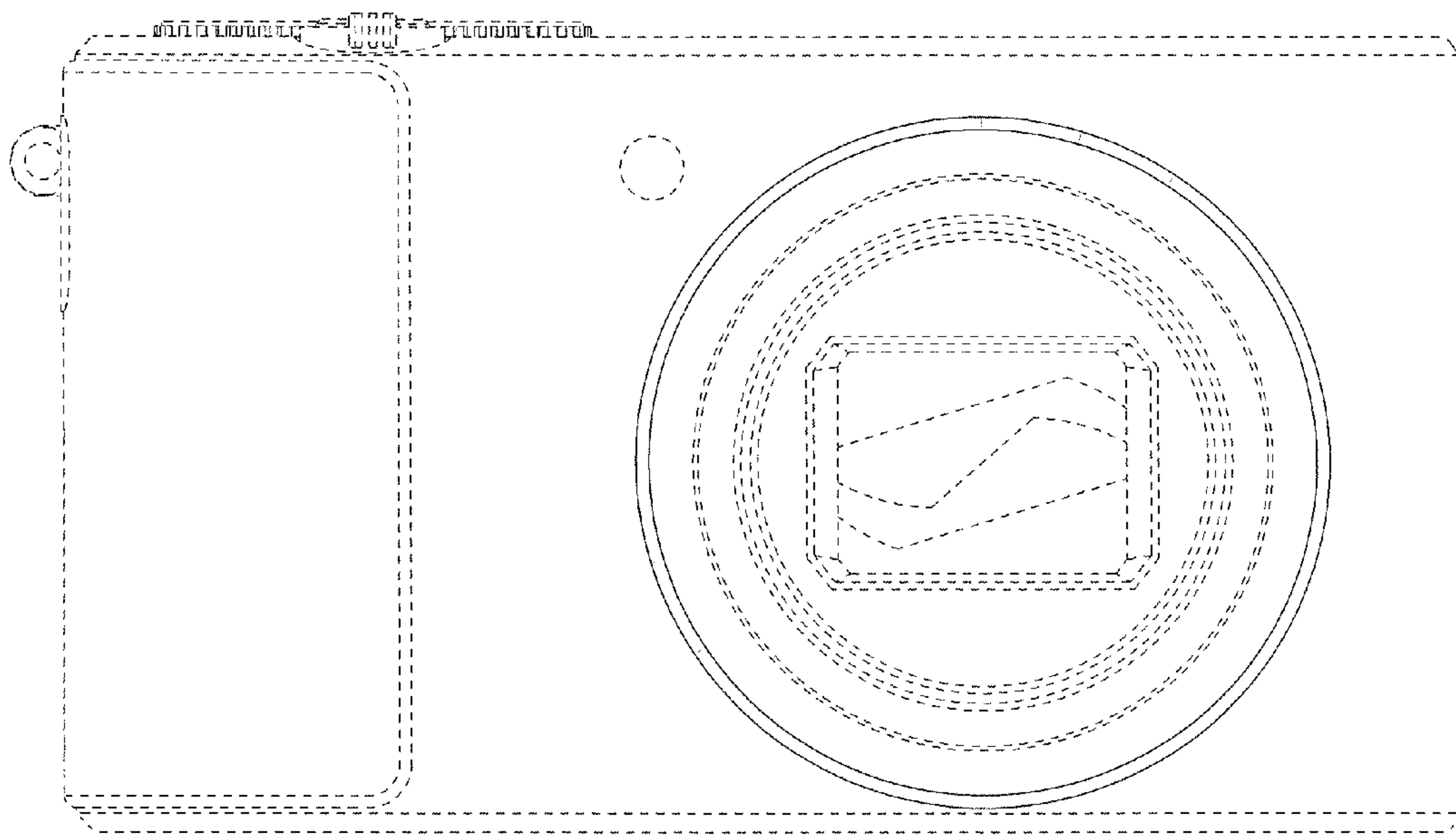


FIG.3



FIG.4

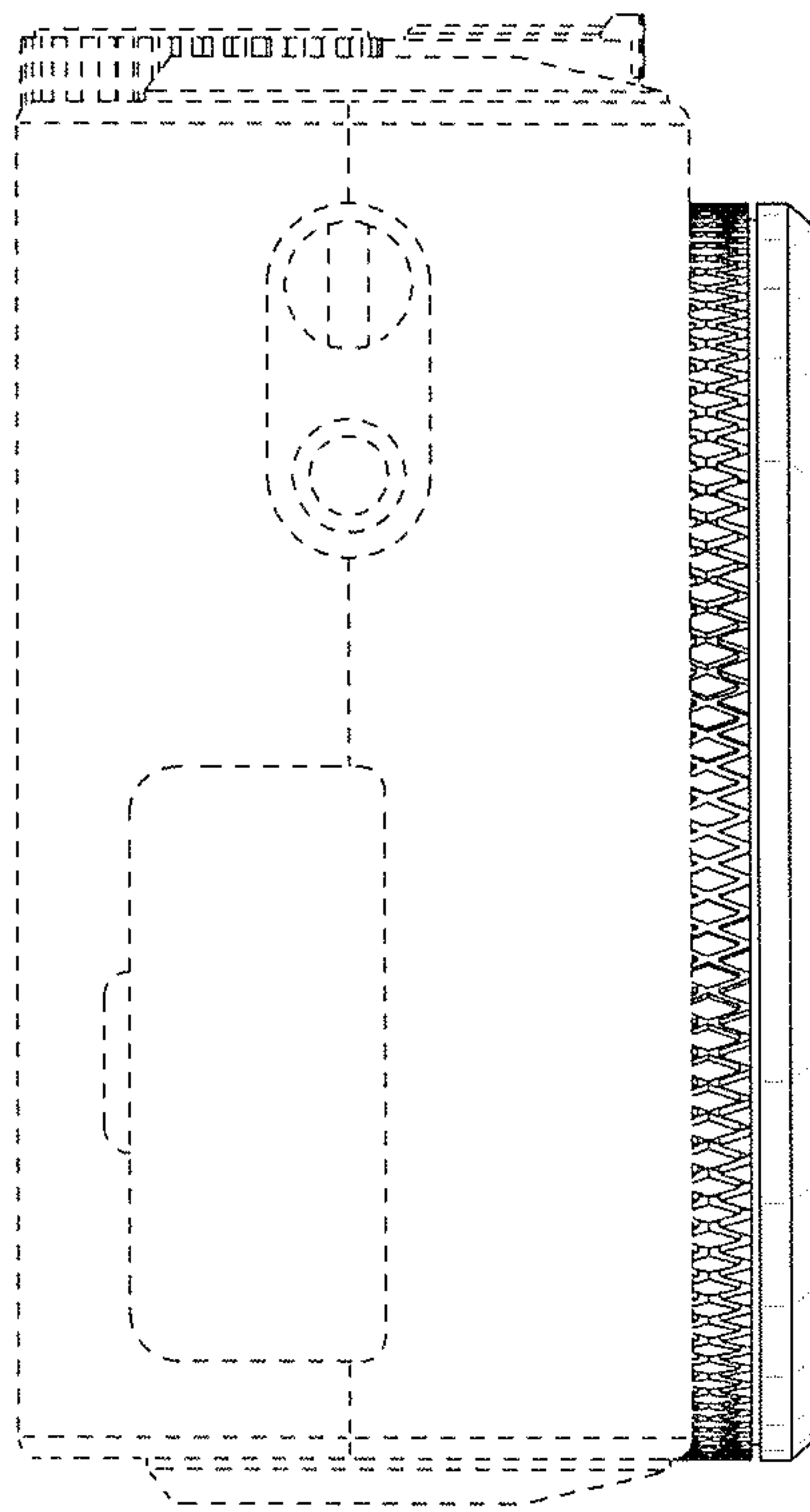




FIG.5

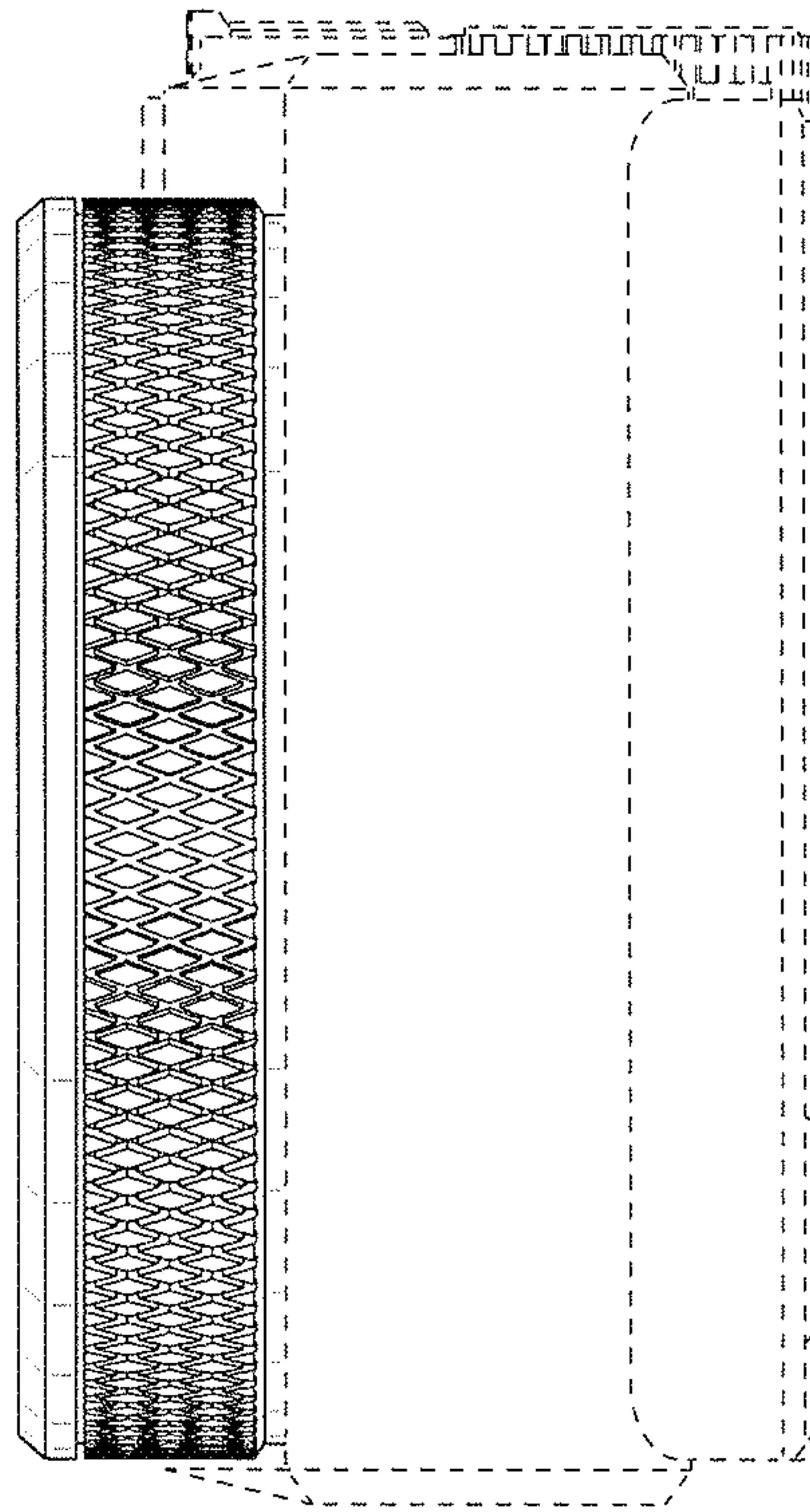


FIG.6

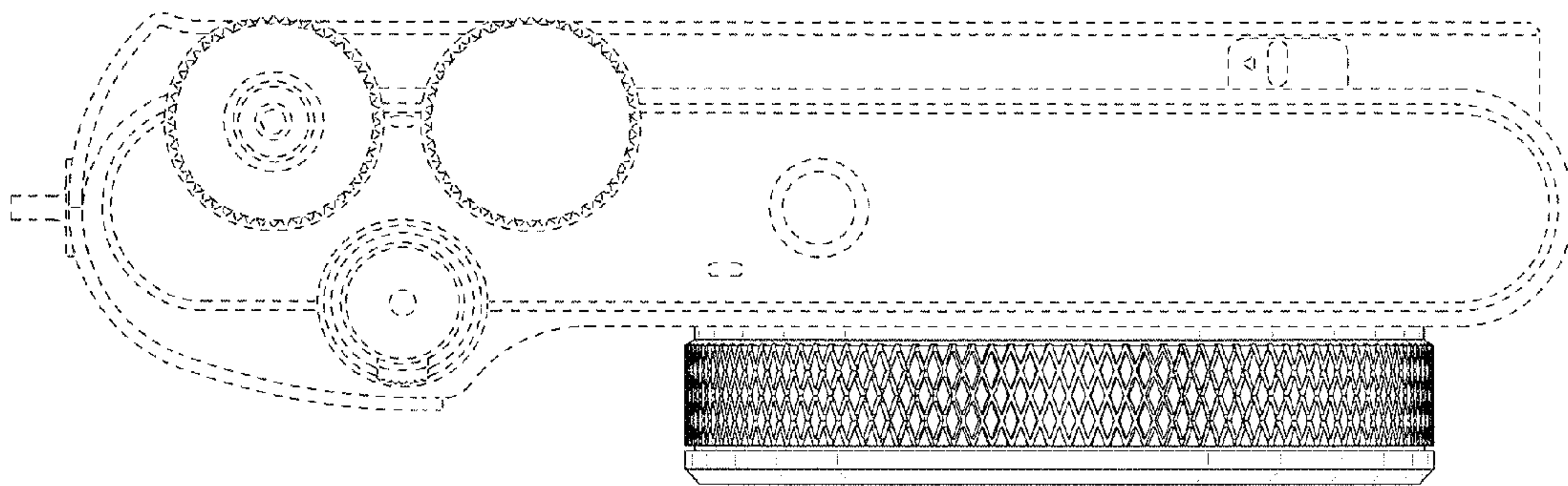


FIG.7

