



US00D759741S

(12) **United States Design Patent**  
**Wu et al.**

(10) **Patent No.:** **US D759,741 S**  
(45) **Date of Patent:** **\*\* Jun. 21, 2016**

- (54) **DOMESTIC AND INDUSTRIAL ROBOT**
- (71) Applicants: **Bryan Wu**, Palo Alto, CA (US);  
**Newman Hu**, San Martin, CA (US);  
**Jerry Ding Xu**, Cupertino, CA (US);  
**Patrick Ding Xu**, Cupertino, CA (US);  
**Yibo Zhu**, Alamo, CA (US)
- (72) Inventors: **Bryan Wu**, Palo Alto, CA (US);  
**Newman Hu**, San Martin, CA (US);  
**Jerry Ding Xu**, Cupertino, CA (US);  
**Patrick Ding Xu**, Cupertino, CA (US);  
**Yibo Zhu**, Alamo, CA (US)
- (73) Assignees: **Bryan Wu**, Palo Alto, CA (US);  
**Newman Hu**, San Martin, CA (US);  
**Jerry Ding Xu**, Cupertino, CA (US);  
**Patrick Ding Xu**, Cupertino, CA (US);  
**Yibo Zhu**, Alamo, CA (US)

8,776,977	B2 *	7/2014	Lansberry	.....	B25J 5/005
					192/150
2001/0029406	A1 *	10/2001	Okamoto	.....	B25J 9/0003
					700/258
2009/0060684	A1 *	3/2009	Nakamoto	.....	B25J 9/0003
					414/1
2009/0320638	A1 *	12/2009	Lee	.....	B25J 9/1045
					74/490.04
2010/0158656	A1 *	6/2010	Seavey	.....	B25J 5/005
					74/490.04
2014/0060224	A1 *	3/2014	Amino	.....	B25J 17/00
					74/89
2015/0297299	A1 *	10/2015	Yeung	.....	A61B 19/2203
					600/102
2015/0360865	A1 *	12/2015	Massey	.....	B25J 9/0003
					414/275

\* cited by examiner

*Primary Examiner* — Susan Bennett Hattan

*Assistant Examiner* — Brett Miller

(74) *Attorney, Agent, or Firm* — James Cai; SAC Attorneys LLP

- (\*\*) Term: **14 Years**
- (21) Appl. No.: **29/504,742**
- (22) Filed: **Oct. 9, 2014**
- (51) **LOC (10) Cl.** ..... **15-99**
- (52) **U.S. Cl.**  
USPC ..... **D15/199**

(57) **CLAIM**

We claim the ornamental design for domestic and industrial robot, as shown.

- (58) **Field of Classification Search**  
USPC ..... D15/199; 74/490.01–490.06; D10/63;  
D24/158, 184, 128; D21/578  
CPC ..... B25J 17/00; B25J 9/06; B25J 9/102;  
B25J 18/00; B25J 19/0029; B25J 19/0009;  
B25J 9/0003; A61B 19/2203; A61B 19/5212;  
A61B 1/008; A61B 2019/2234; A61B  
2019/2242; A61B 2019/2223; A61B  
2019/223; A61B 2019/2238  
See application file for complete search history.

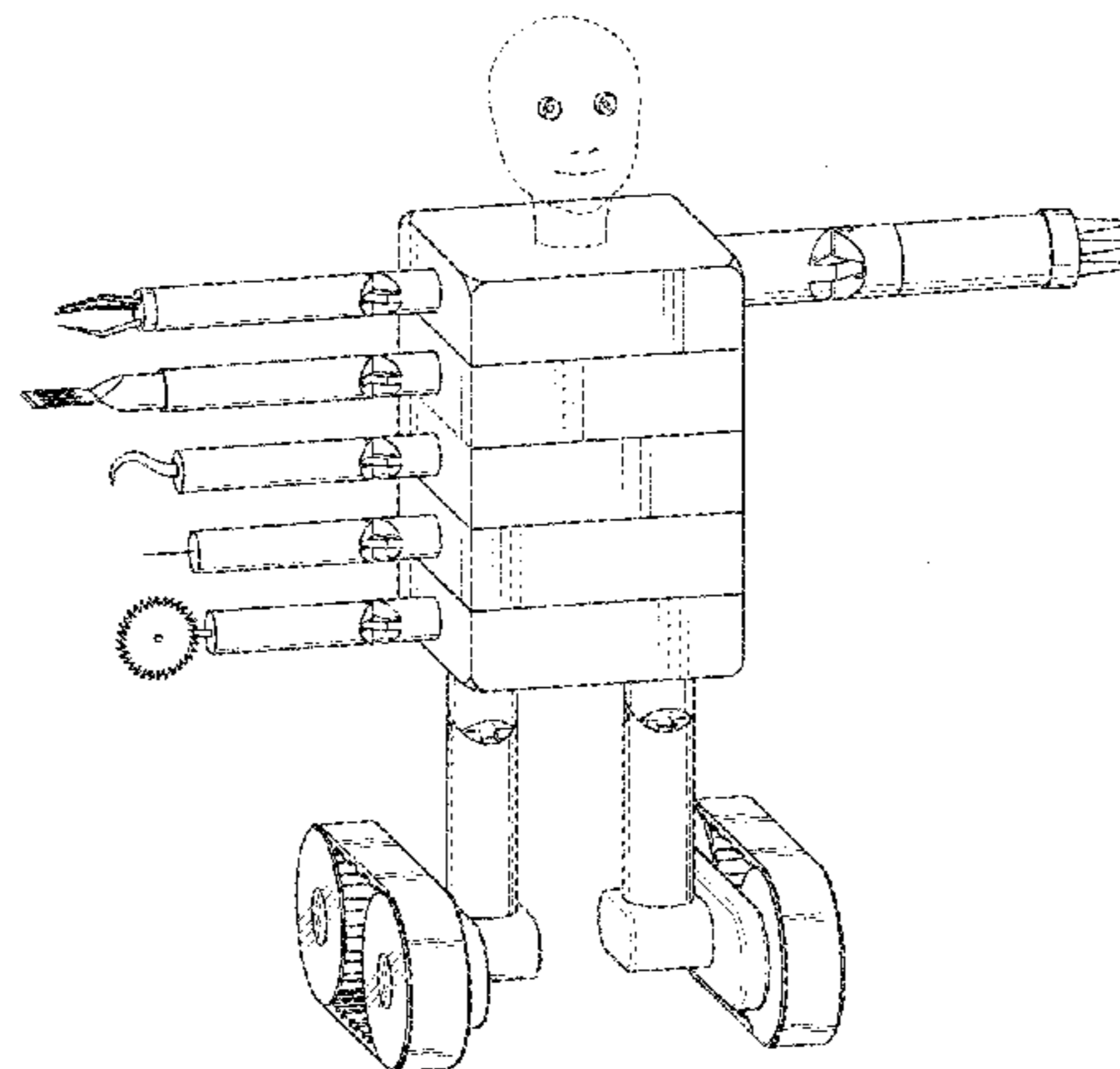
**DESCRIPTION**

FIG. 1 is a front left perspective view thereof;  
 FIG. 2 is a front right perspective view thereof;  
 FIG. 3 is a front view thereof;  
 FIG. 4 is a rear view thereof;  
 FIG. 5 is a right side view thereof;  
 FIG. 6 is a right side view thereof with dispenser rotated;  
 FIG. 7 is a left side view thereof;  
 FIG. 8 is a left side view of thereof with arms rotated and knees bent;  
 FIG. 9 is a front perspective view thereof with arms bent and/or rotated;  
 FIG. 10 is a top view thereof with arms bent and/or rotated;  
 FIG. 11 is a bottom view thereof with arms bent and/or rotated; and,  
 FIG. 12 is a front left perspective view thereof with arms bent and/or rotated and body rotated.

(56) **References Cited**  
U.S. PATENT DOCUMENTS

D298,766	S *	11/1988	Tanno	.....	D21/578
D559,288	S *	1/2008	Matsuda	.....	D15/199
D579,035	S *	10/2008	Kim	.....	D15/199
D628,609	S *	12/2010	Linn	.....	D15/199
8,245,594	B2 *	8/2012	Rogers	.....	A61B 17/29
					74/490.04

**1 Claim, 9 Drawing Sheets**



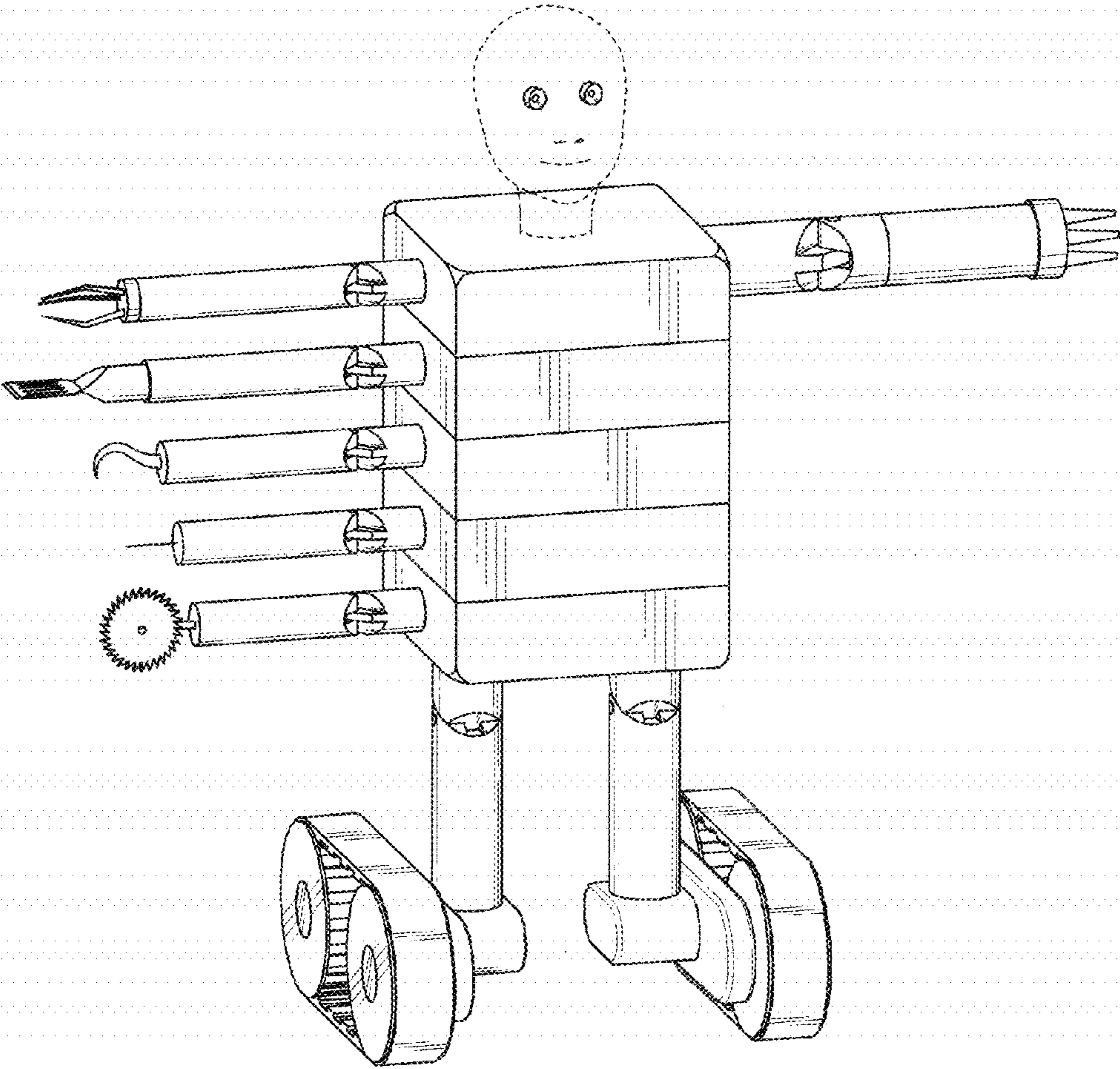


FIG. 1

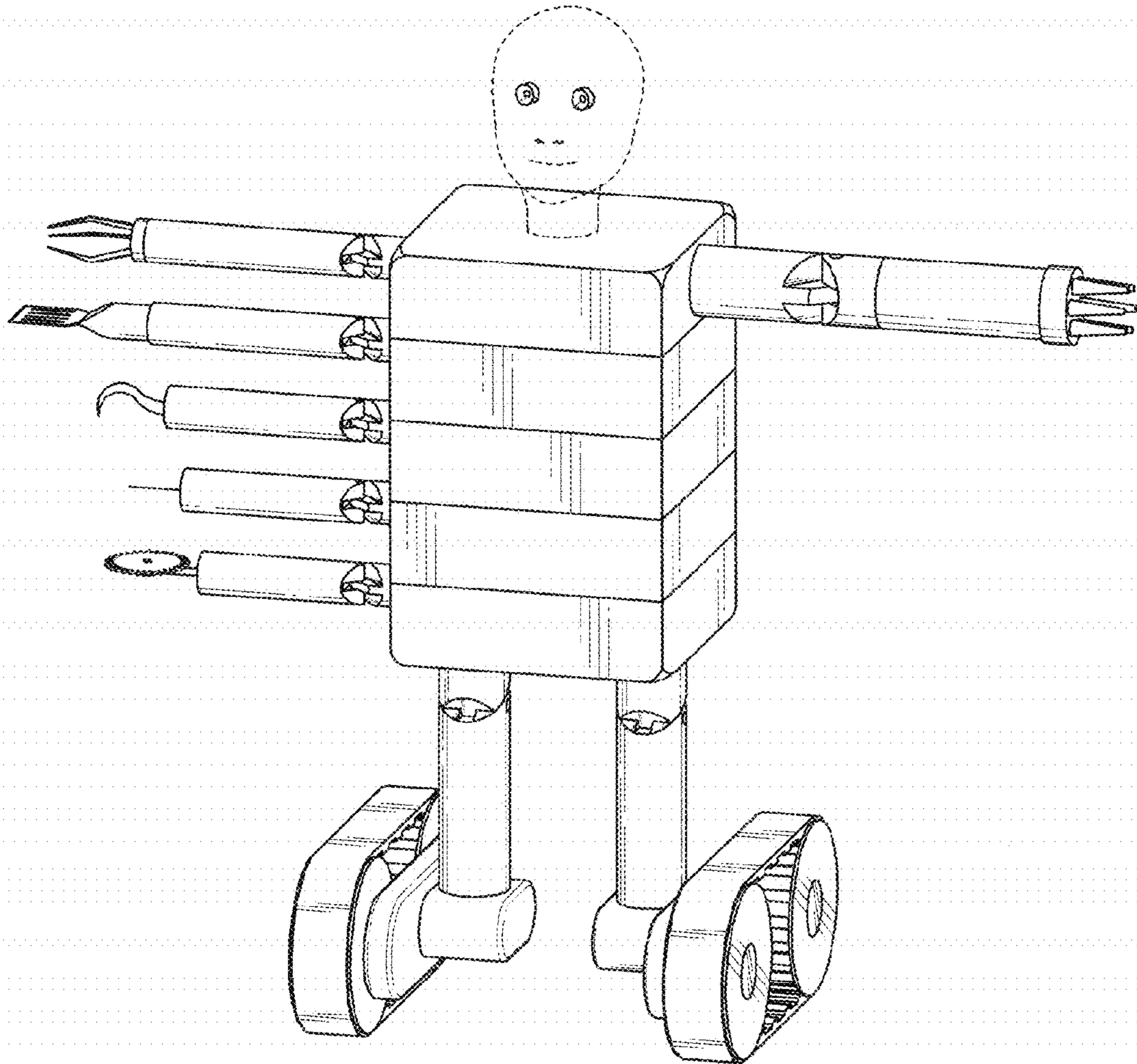


FIG. 2

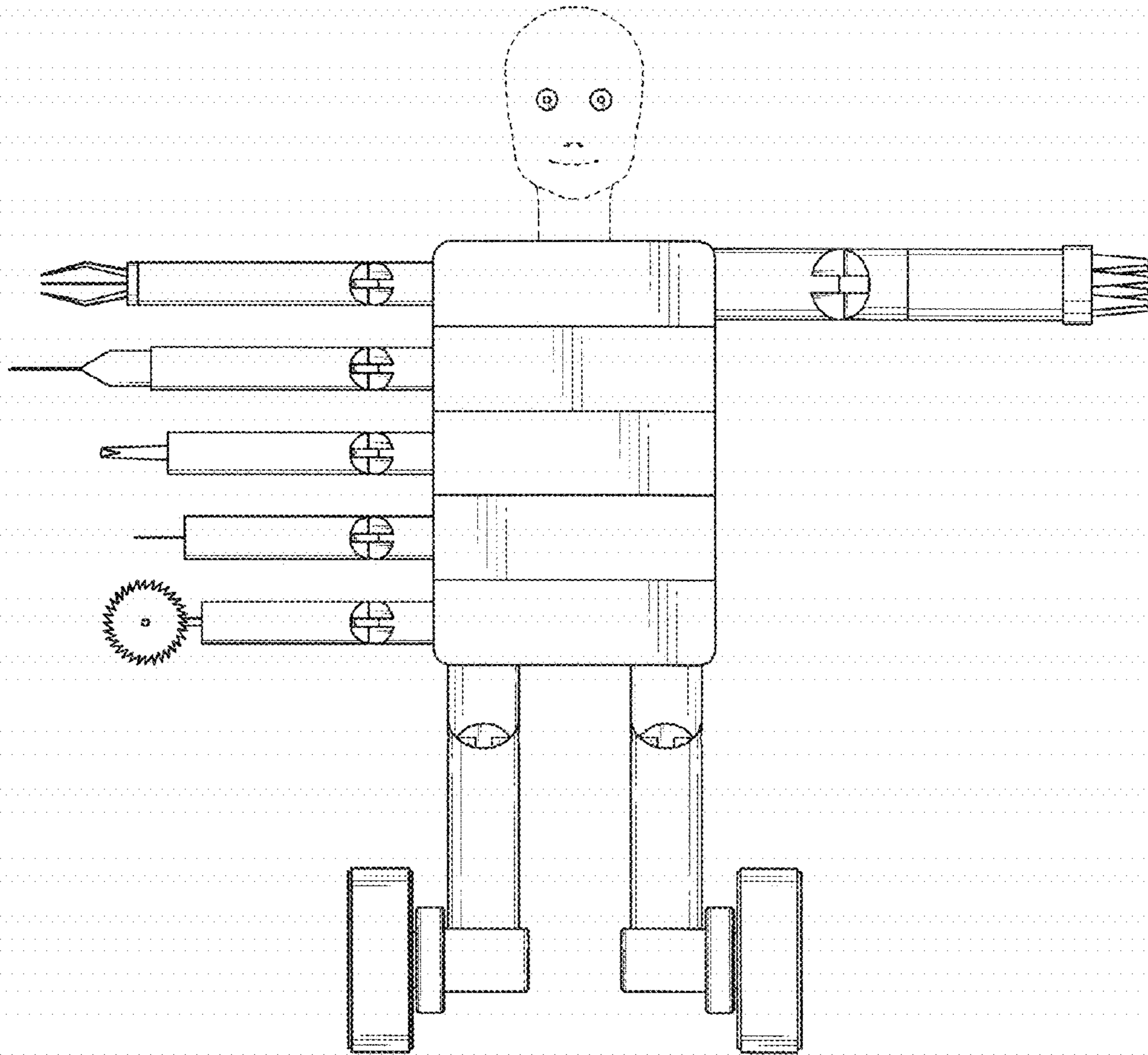


FIG. 3

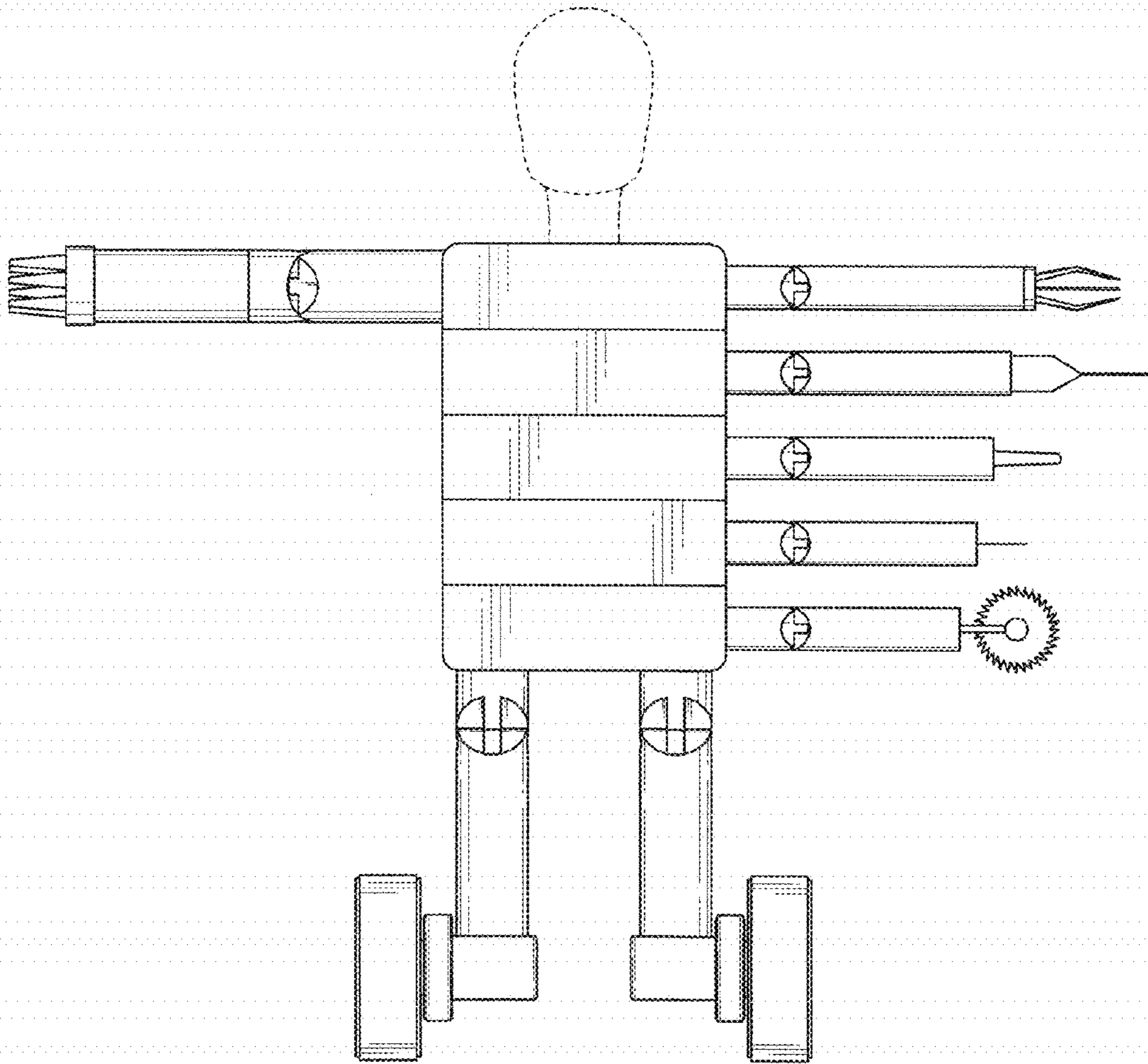


FIG. 4

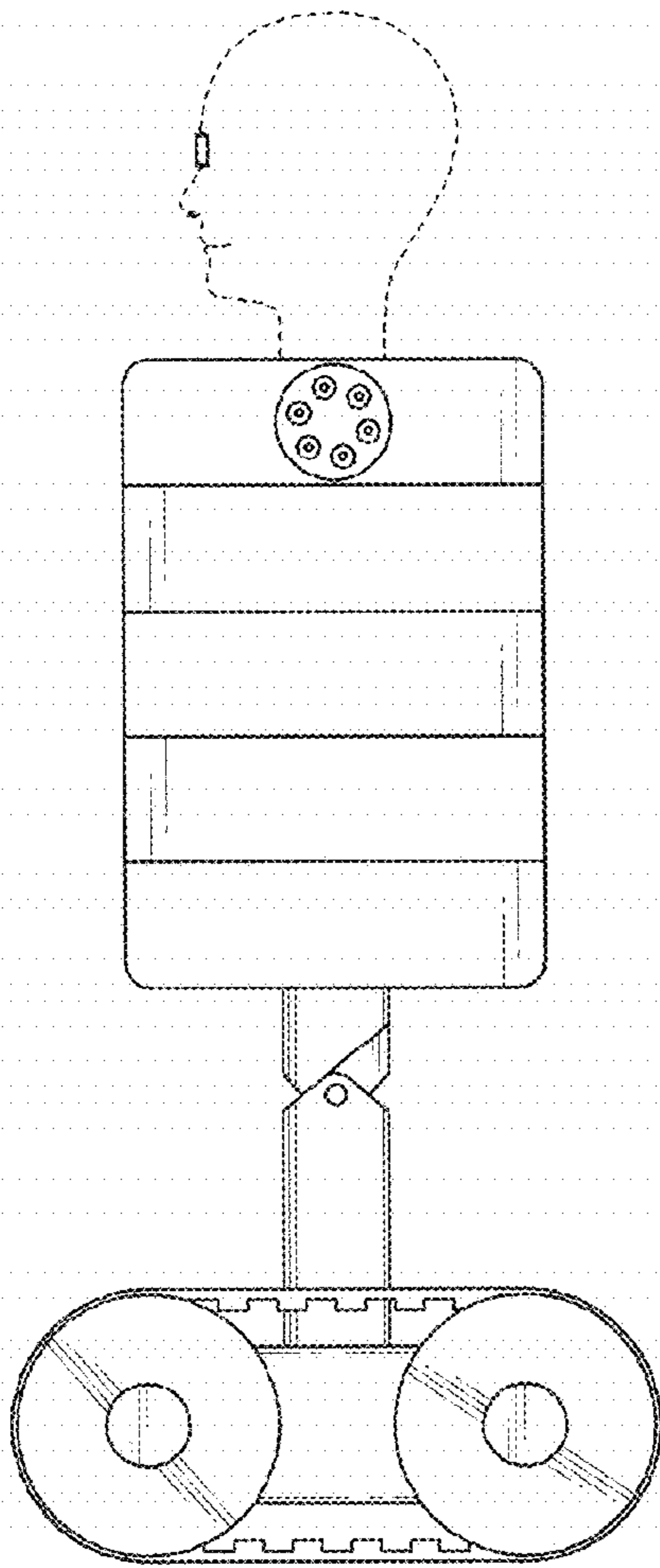


FIG. 5

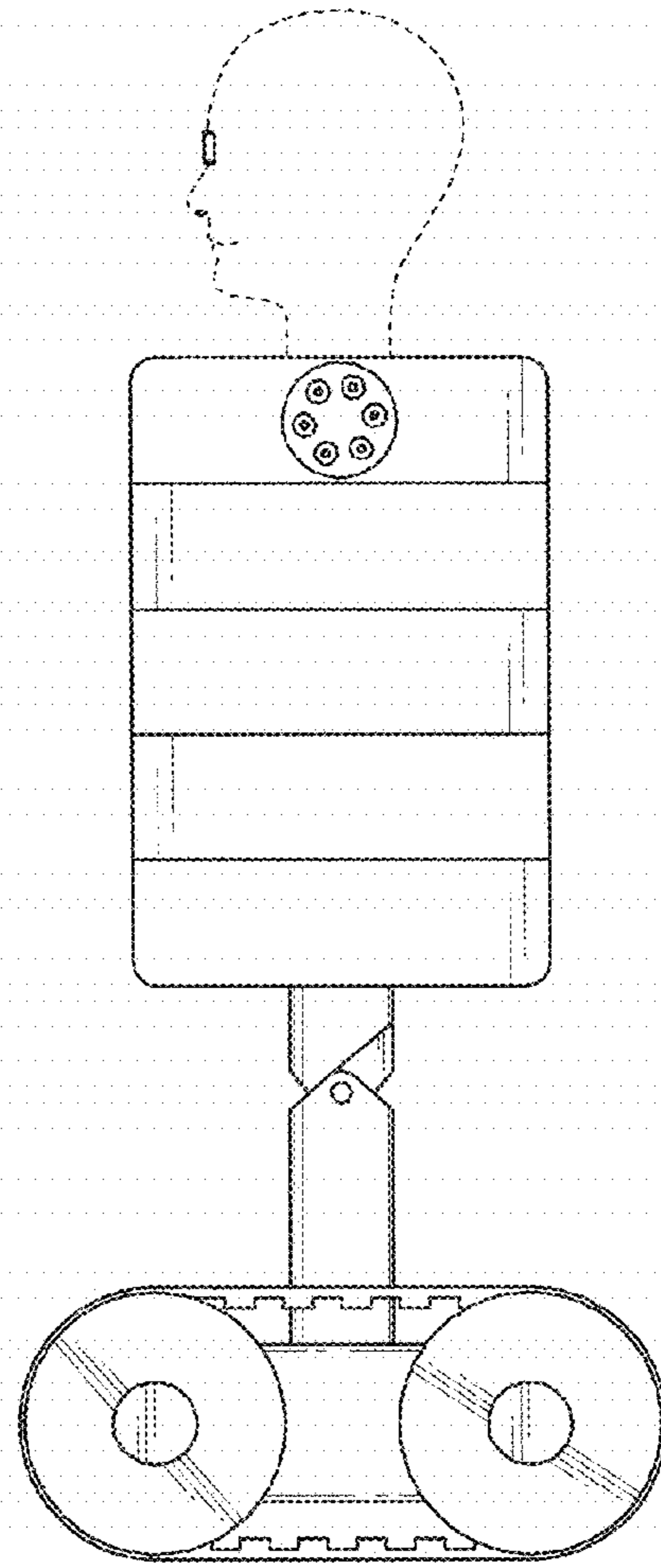


FIG. 6

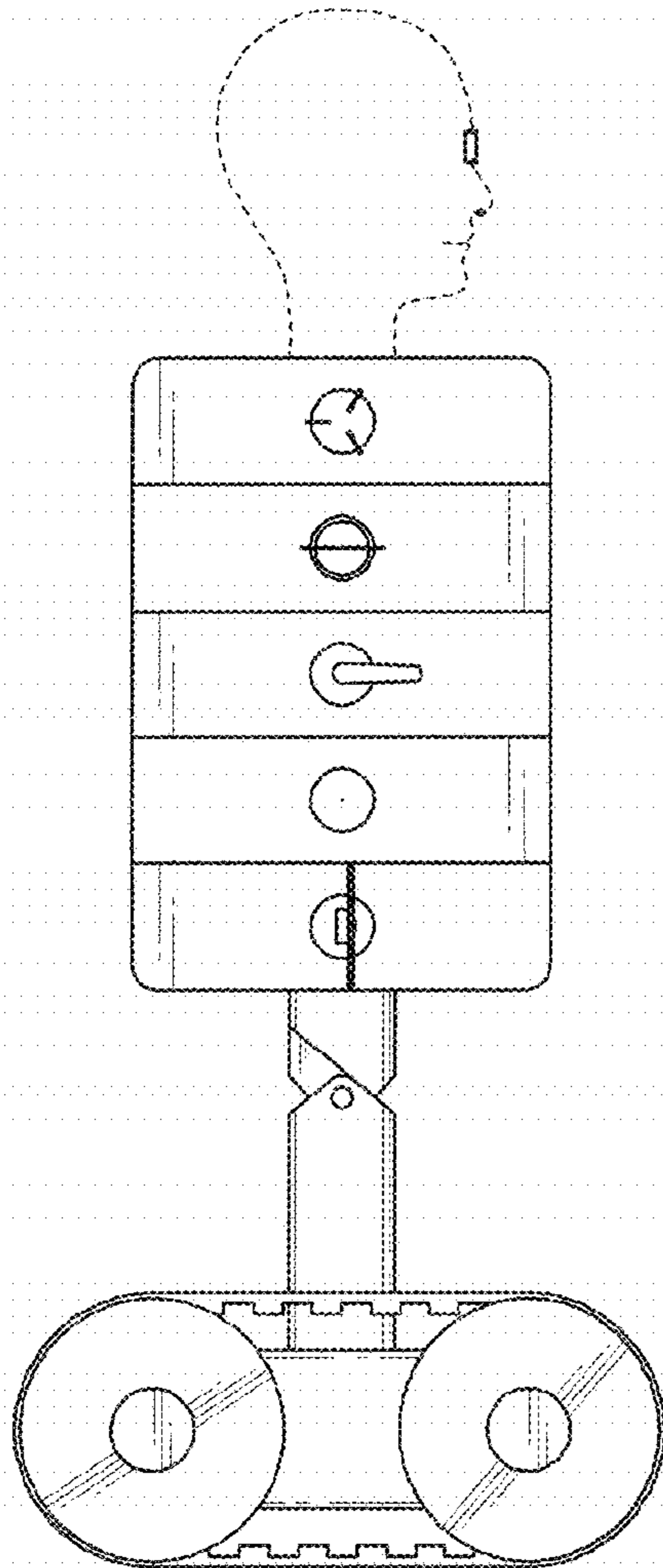


FIG. 7

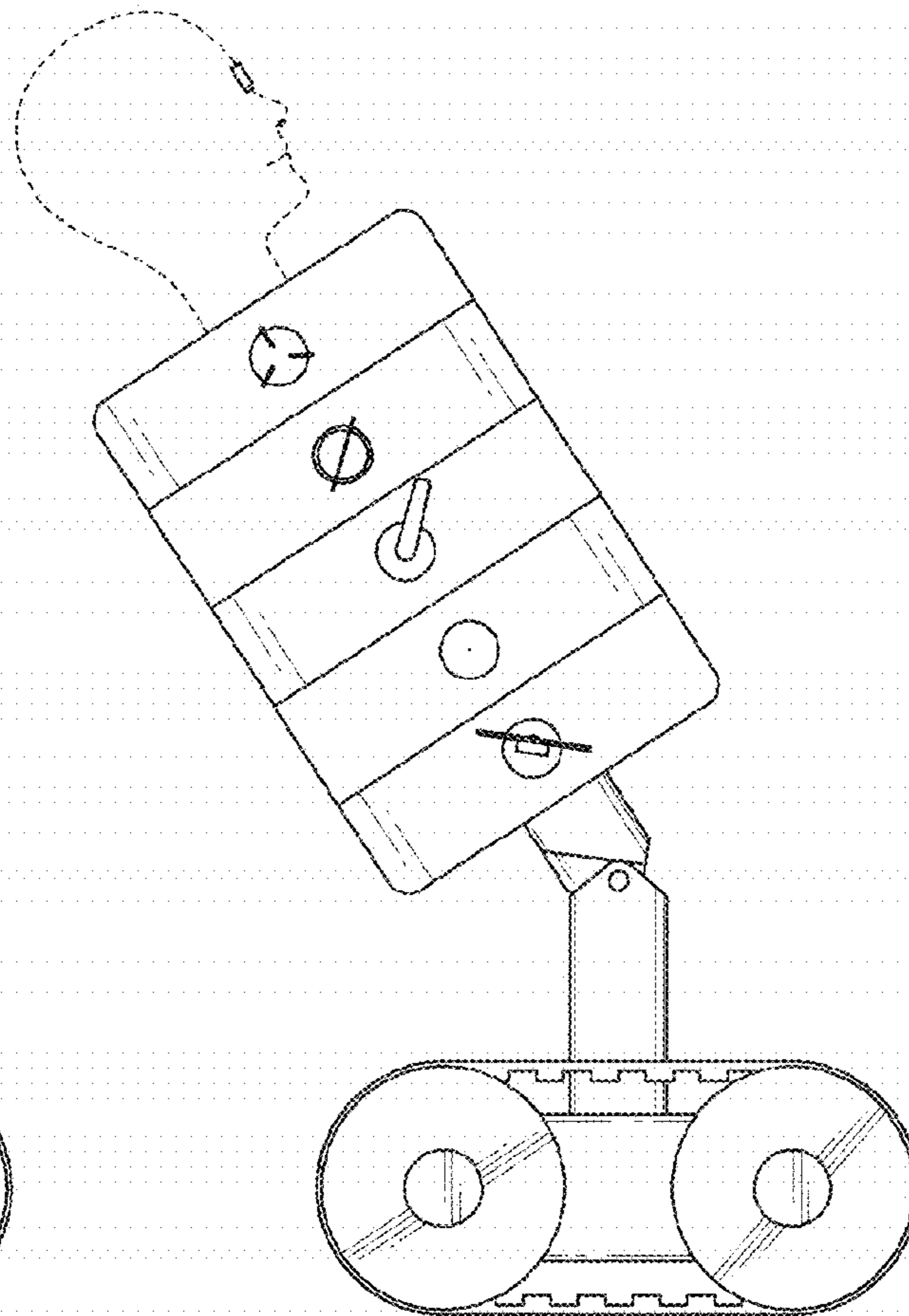


FIG. 8

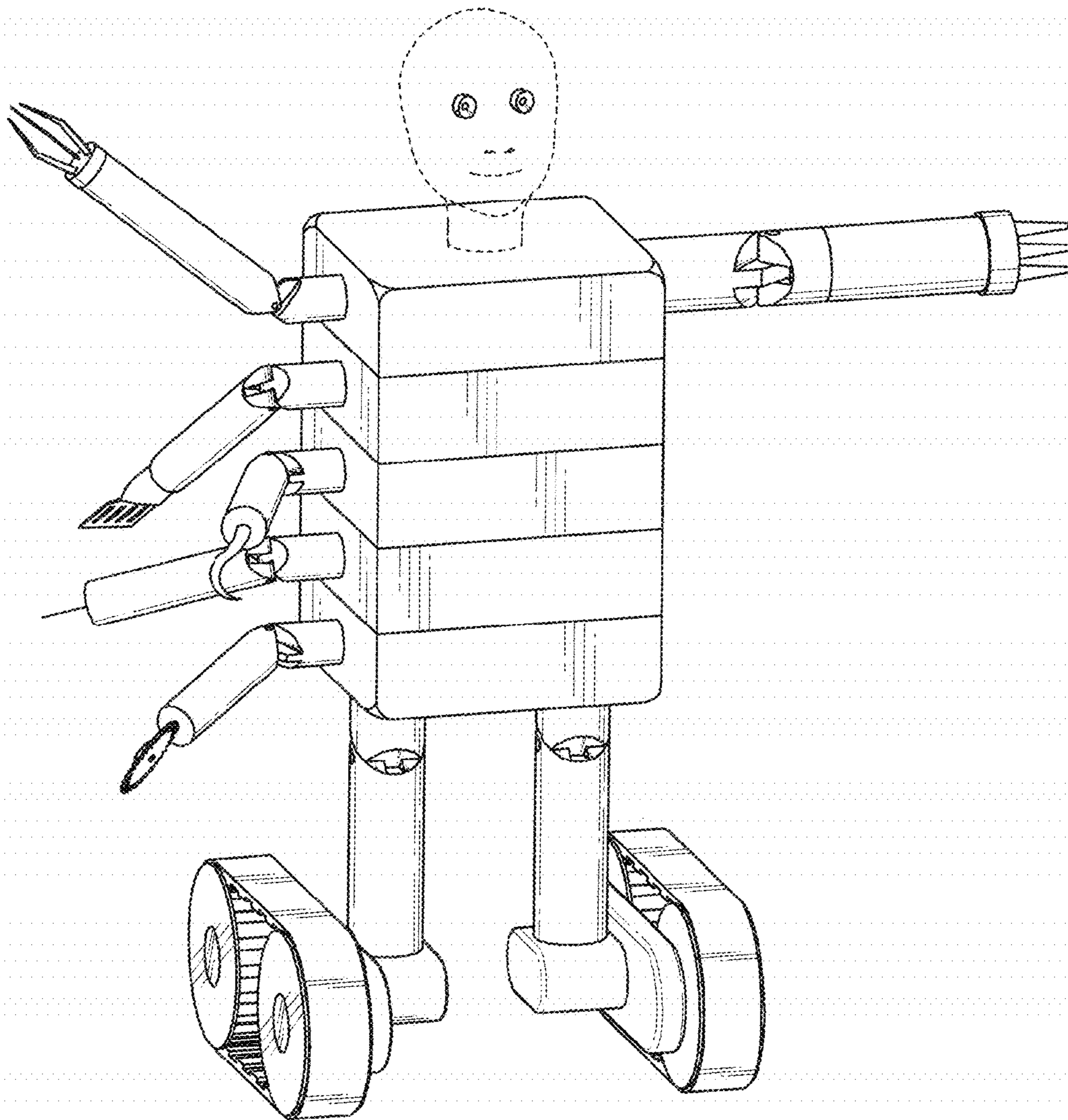


FIG. 9



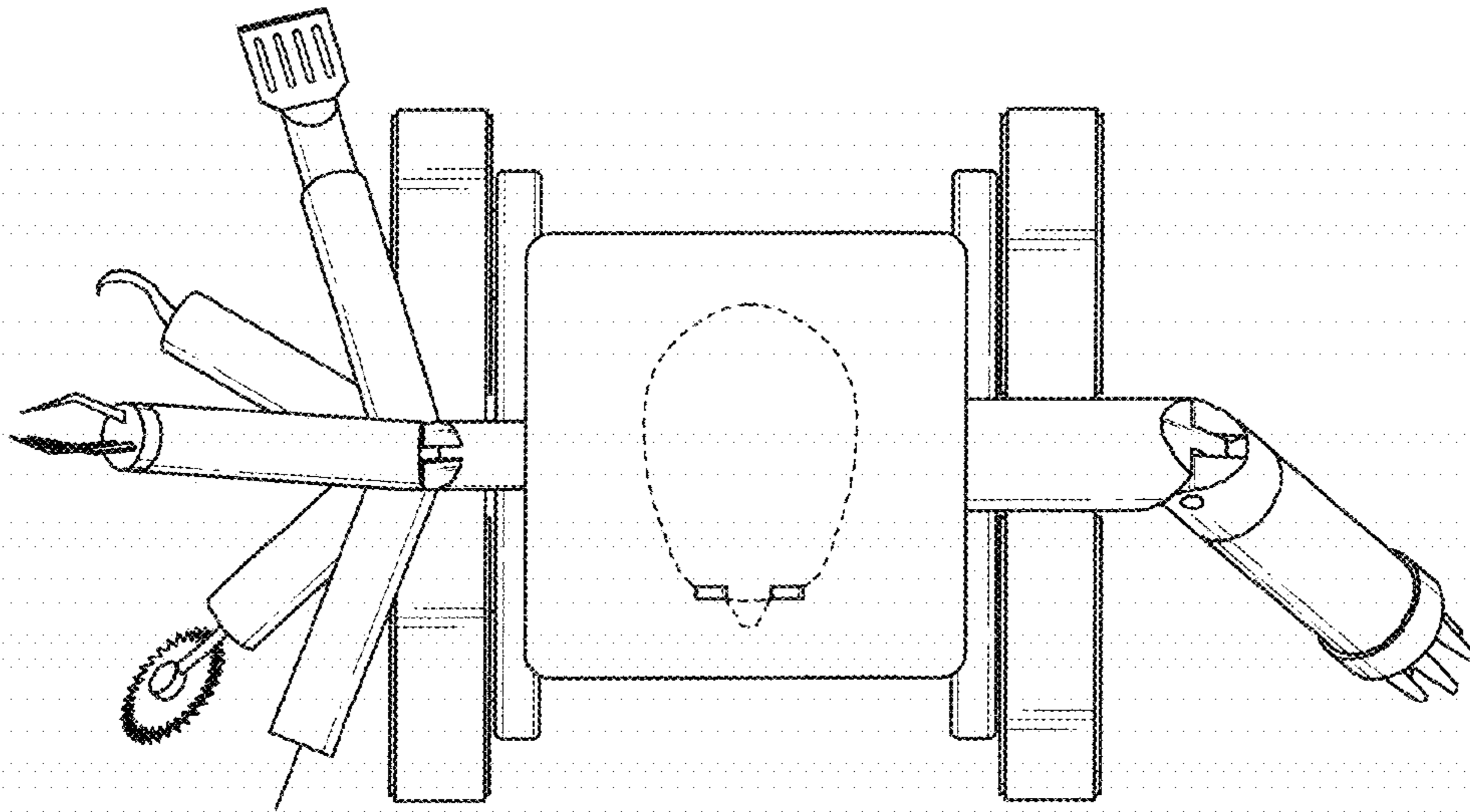


FIG. 10

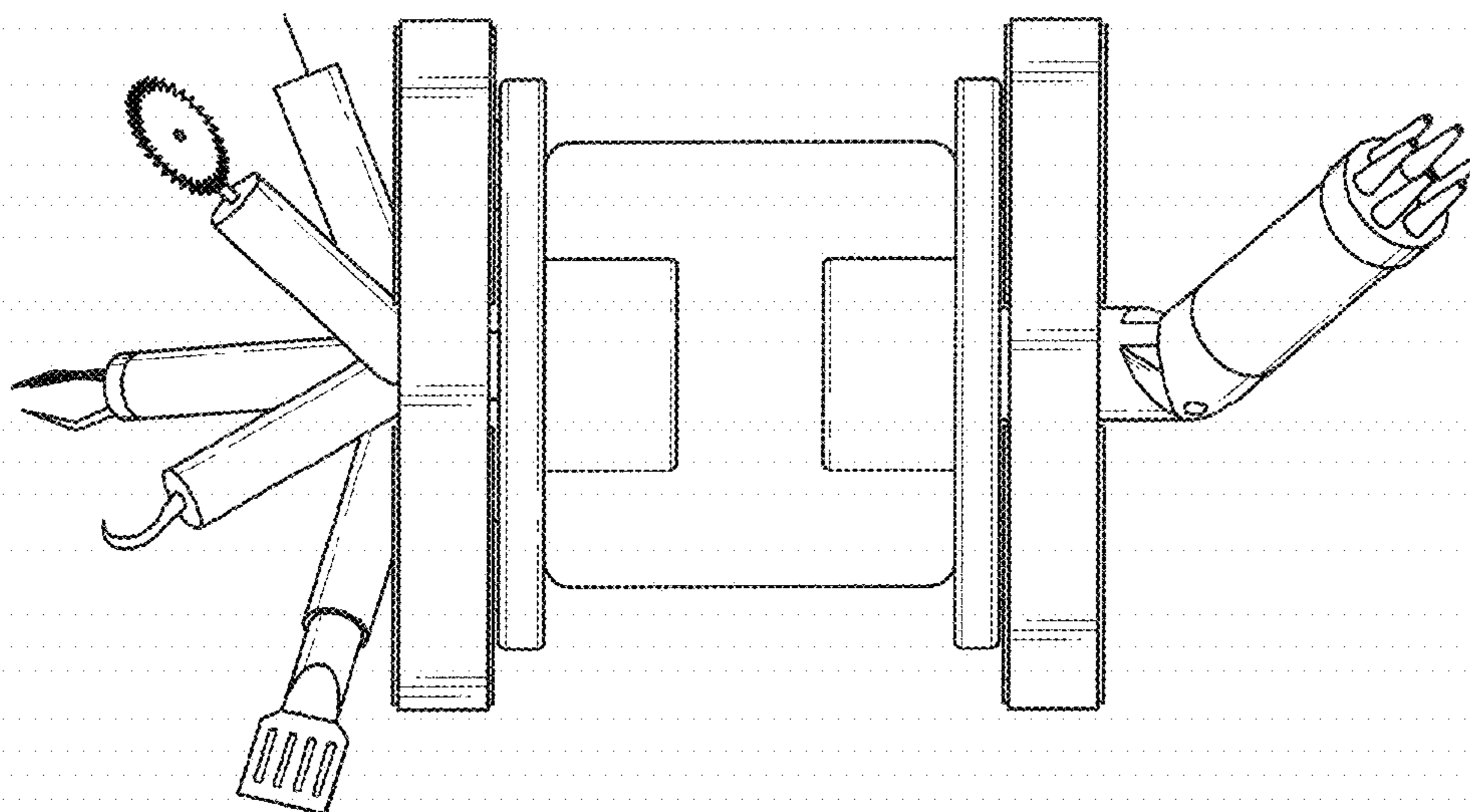


FIG. 11

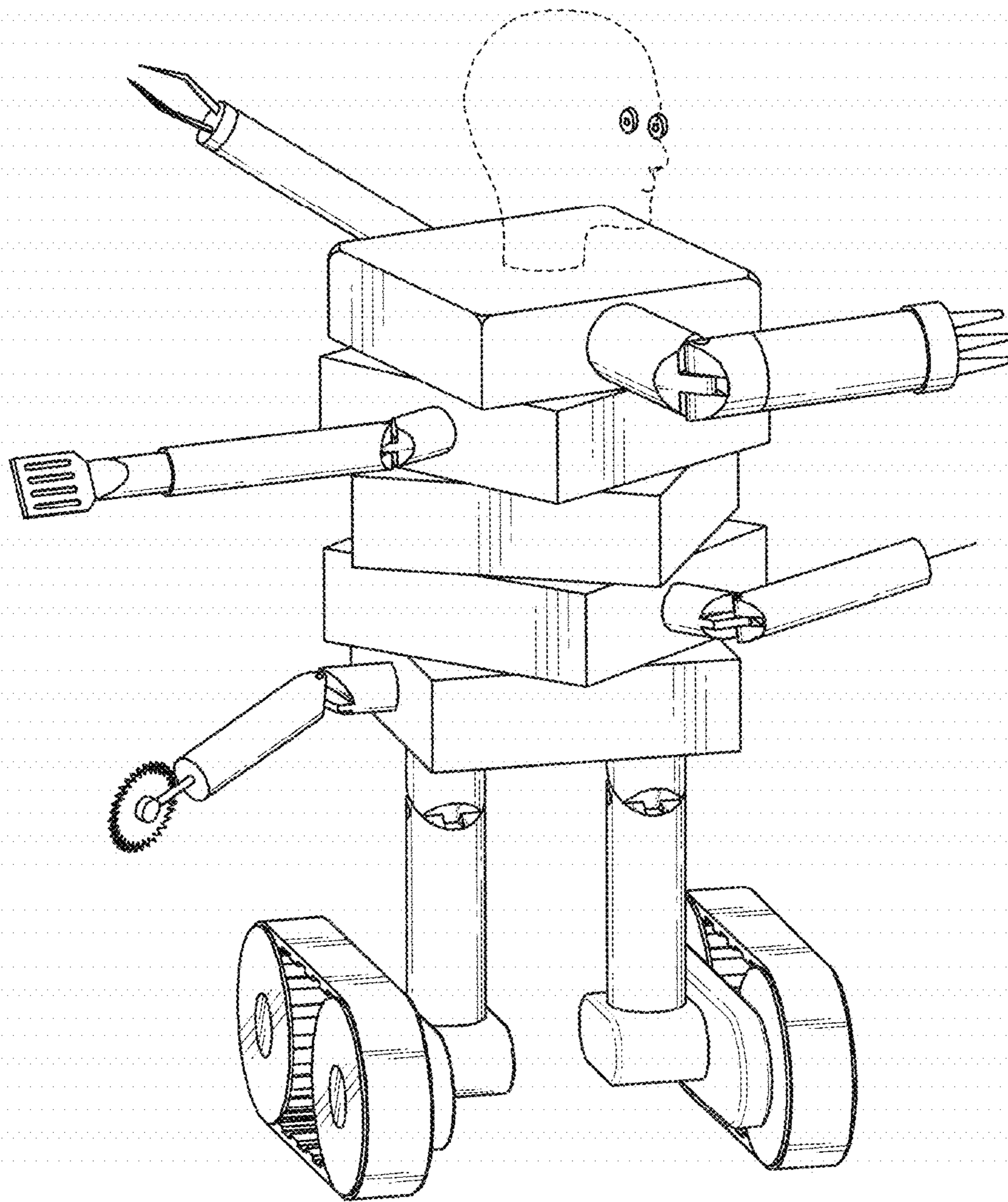


FIG. 12