



US00D759736S

(12) **United States Design Patent**
Huang

(10) **Patent No.:** **US D759,736 S**
(45) **Date of Patent:** **** Jun. 21, 2016**

- (54) **MULTI-PURPOSE MACHINE TOOL**
- (71) Applicant: **JINN FA MACHINE INDUSTRIAL CO., LTD.,** Changhua Hsien (TW)
- (72) Inventor: **Jinn-Fa Huang,** Changhua Hsien (TW)
- (73) Assignee: **JINN FA MACHINE INDUSTRIAL CO., LTD.,** Changhua Hsien (TW)
- (**) Term: **14 Years**
- (21) Appl. No.: **29/516,299**
- (22) Filed: **Jan. 30, 2015**
- (51) **LOC (10) Cl.** **15-09**
- (52) **U.S. Cl.**
USPC **D15/122**
- (58) **Field of Classification Search**
USPC D15/122, 145, 146
See application file for complete search history.

- D559,871 S * 1/2008 Kittaka D15/122
- D567,263 S * 4/2008 Sugihara D15/122
- D578,144 S * 10/2008 Arisue D15/122
- D635,595 S * 4/2011 Hiroshima D15/122
- D635,596 S * 4/2011 Hiroshima D15/122
- D636,796 S * 4/2011 Hiroshima D15/122
- D637,631 S * 5/2011 Hiroshima D15/122
- D638,449 S * 5/2011 Schindler D15/122
- 7,954,216 B2 * 6/2011 Sturm B32B 39/16
144/35.1
- D654,099 S * 2/2012 Schindler D15/122
- D667,030 S * 9/2012 Hiroshima D15/122
- D667,032 S * 9/2012 Egami D15/122
- D680,563 S * 4/2013 Yang D15/122
- D690,331 S * 9/2013 Kitamura D15/122
- D690,744 S * 10/2013 Koide D15/122
- D690,745 S * 10/2013 Koide D15/122
- D693,859 S * 11/2013 Kitamura D15/122
- D696,315 S * 12/2013 Schmid D15/122
- D716,351 S * 10/2014 Kitamura D15/122
- D716,857 S * 11/2014 Shimano D15/122
- D736,839 S * 8/2015 Shimano D15/122
- 9,120,192 B2 * 9/2015 Krieg B23Q 39/024
- 9,126,266 B2 * 9/2015 Walz B23B 3/168

* cited by examiner

(56) **References Cited**
U.S. PATENT DOCUMENTS

- D277,679 S * 2/1985 Kitamura D15/122
- D302,164 S * 7/1989 Itoh D15/122
- D306,865 S * 3/1990 Brown D15/122
- D319,834 S * 9/1991 Rutschle D15/131
- 5,542,899 A * 8/1996 Yamada B23Q 3/15526
483/32
- D388,103 S * 12/1997 Gotou D15/122
- D420,686 S * 2/2000 Kunema D15/127
- D427,614 S * 7/2000 Miyake D15/127
- D445,807 S * 7/2001 Baulk D15/127
- 6,609,448 B2 * 8/2003 Nakaminami B23B 3/167
82/120
- 6,674,040 B2 * 1/2004 Wehrli B23H 7/02
204/224 M
- 6,892,613 B2 * 5/2005 Nakaminami B23Q 1/015
82/124
- 7,150,706 B2 * 12/2006 Grob B23Q 1/4857
29/33 P
- D548,754 S * 8/2007 Itabashi D15/122
- D548,755 S * 8/2007 Takeshima D15/122

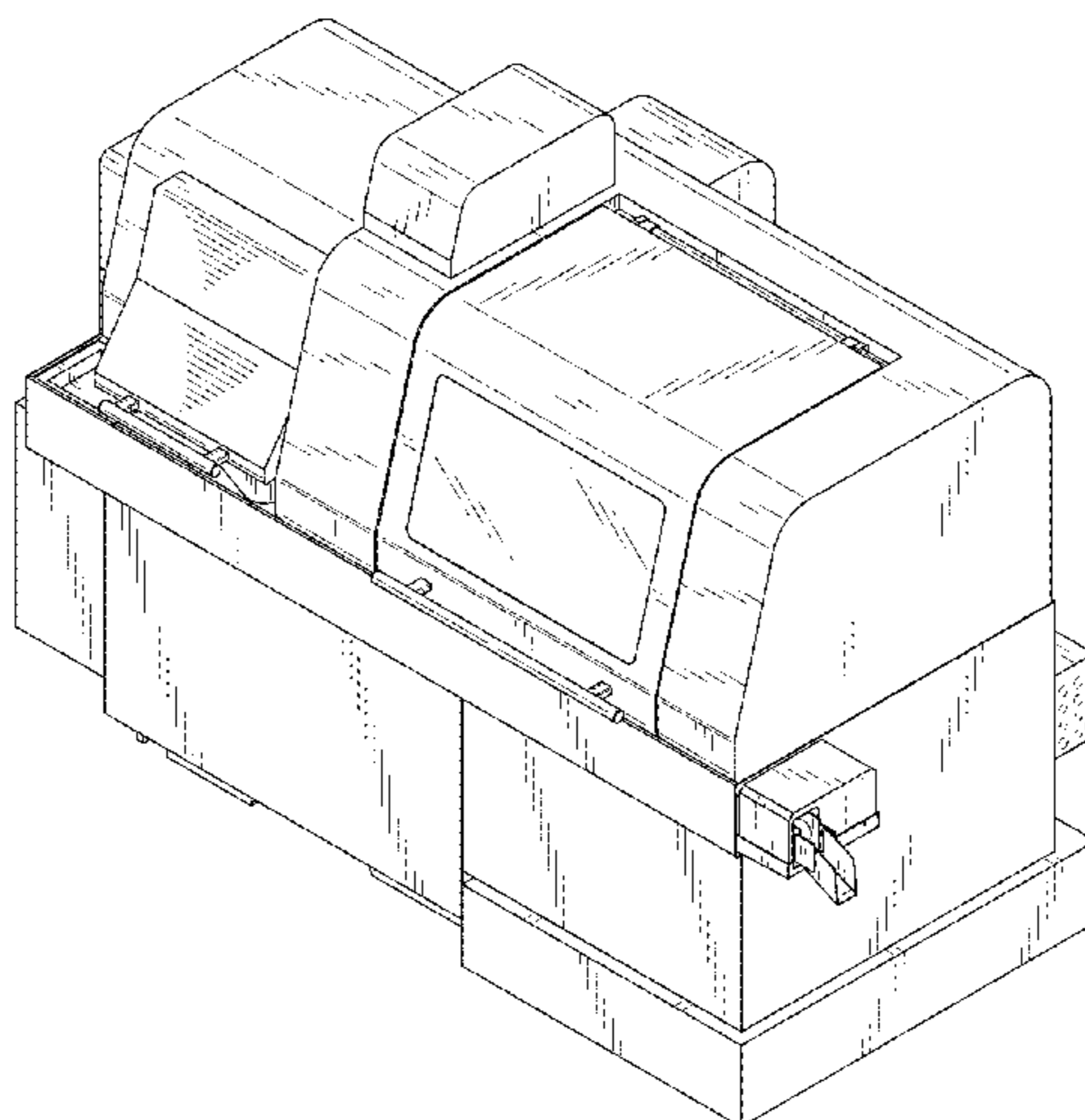
Primary Examiner — Patricia Palasik
(74) *Attorney, Agent, or Firm* — Muncy, Geissler, Olds & Lowe, P.C.

(57) **CLAIM**
The ornamental design for a multi-purpose machine tool, as shown and described.

DESCRIPTION

FIG. 1 is a perspective view of the present design;
FIG. 2 is a front view thereof;
FIG. 3 is a rear view thereof;
FIG. 4 is a left side view thereof;
FIG. 5 is a right side view thereof; and,
FIG. 6 is a top view thereof.
The broken lines in the drawings depict unclaimed environmental subject matter.

1 Claim, 5 Drawing Sheets



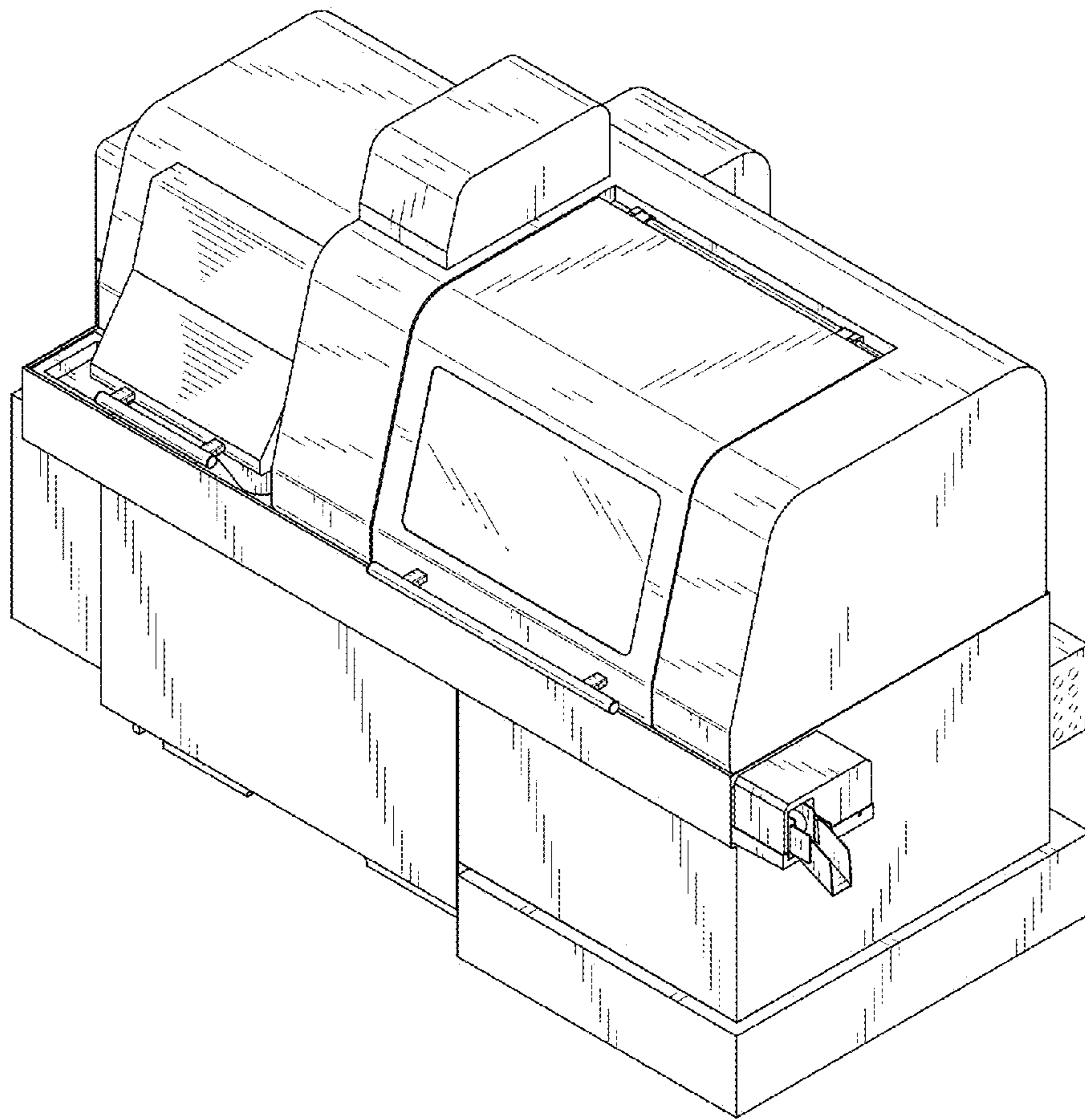


FIG. 1

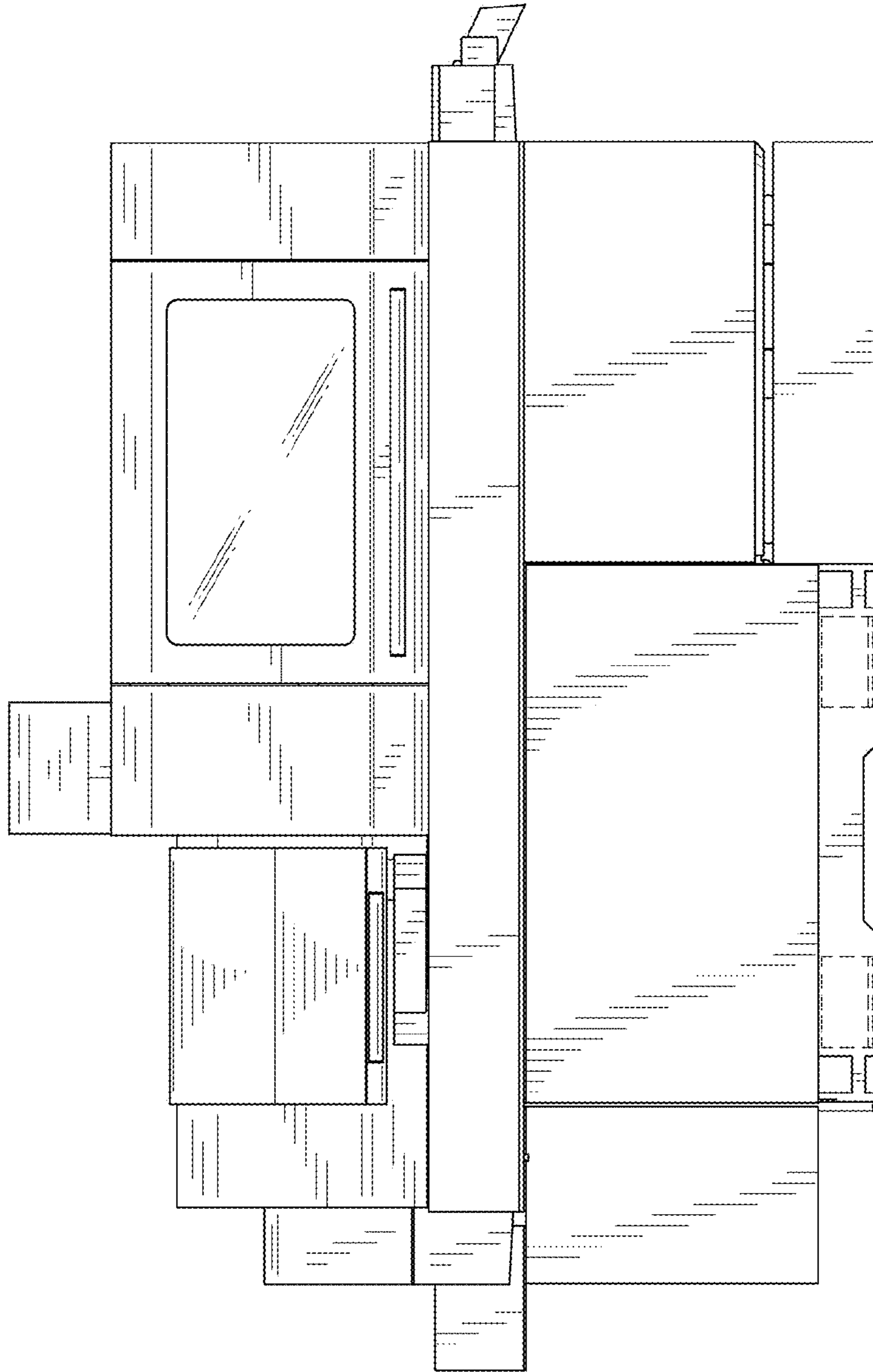


FIG. 2

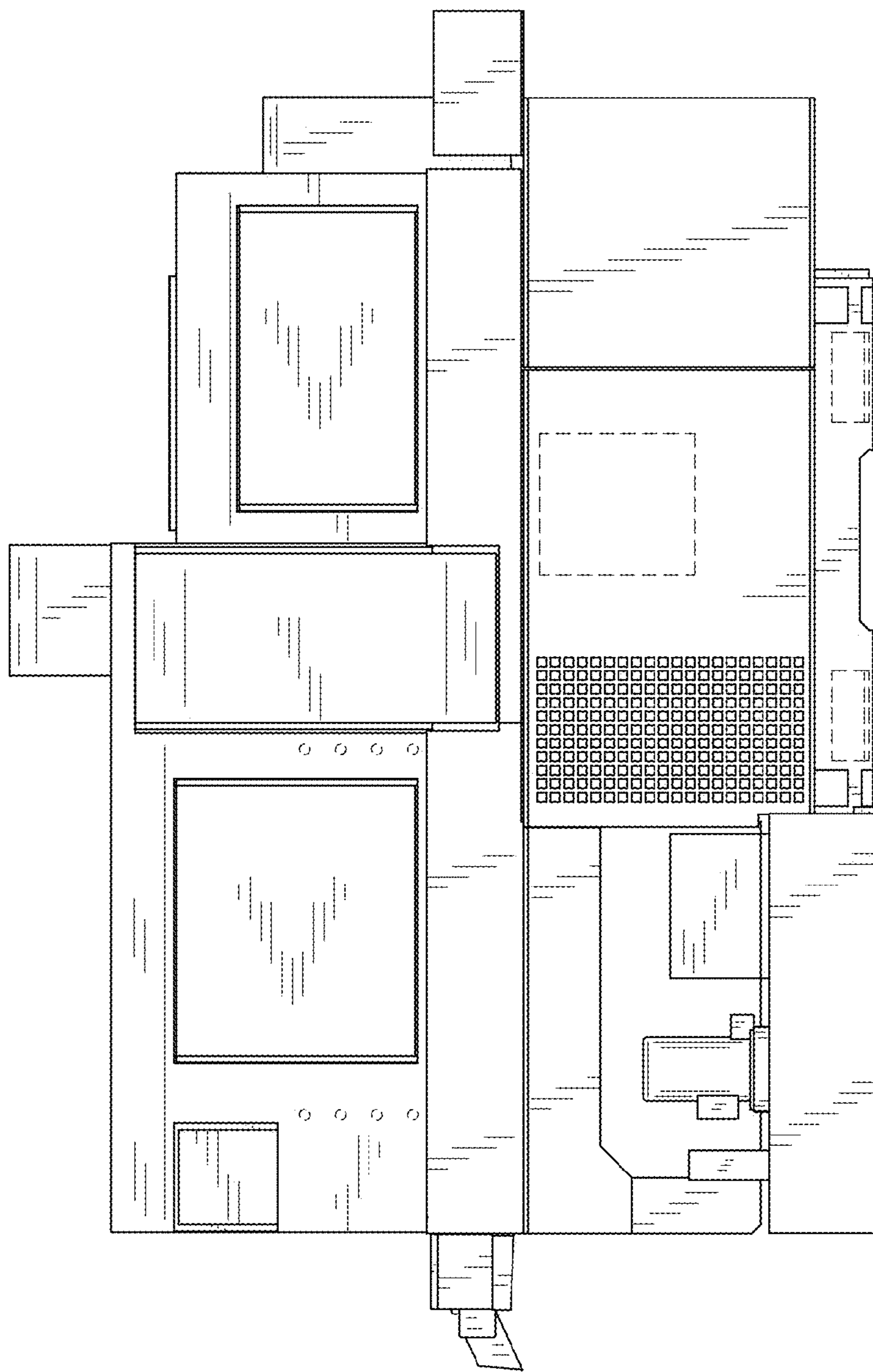


FIG. 3

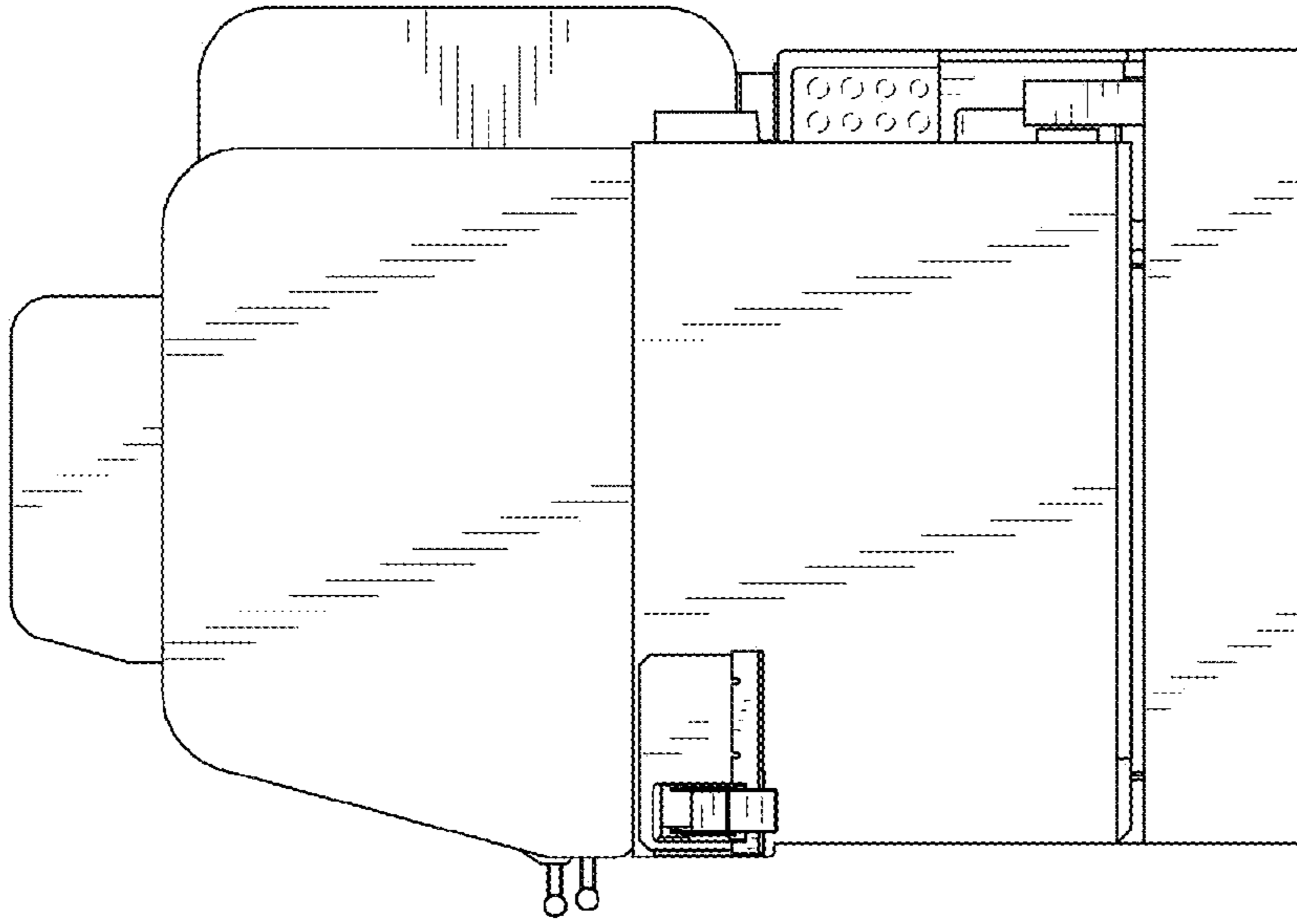


FIG. 5

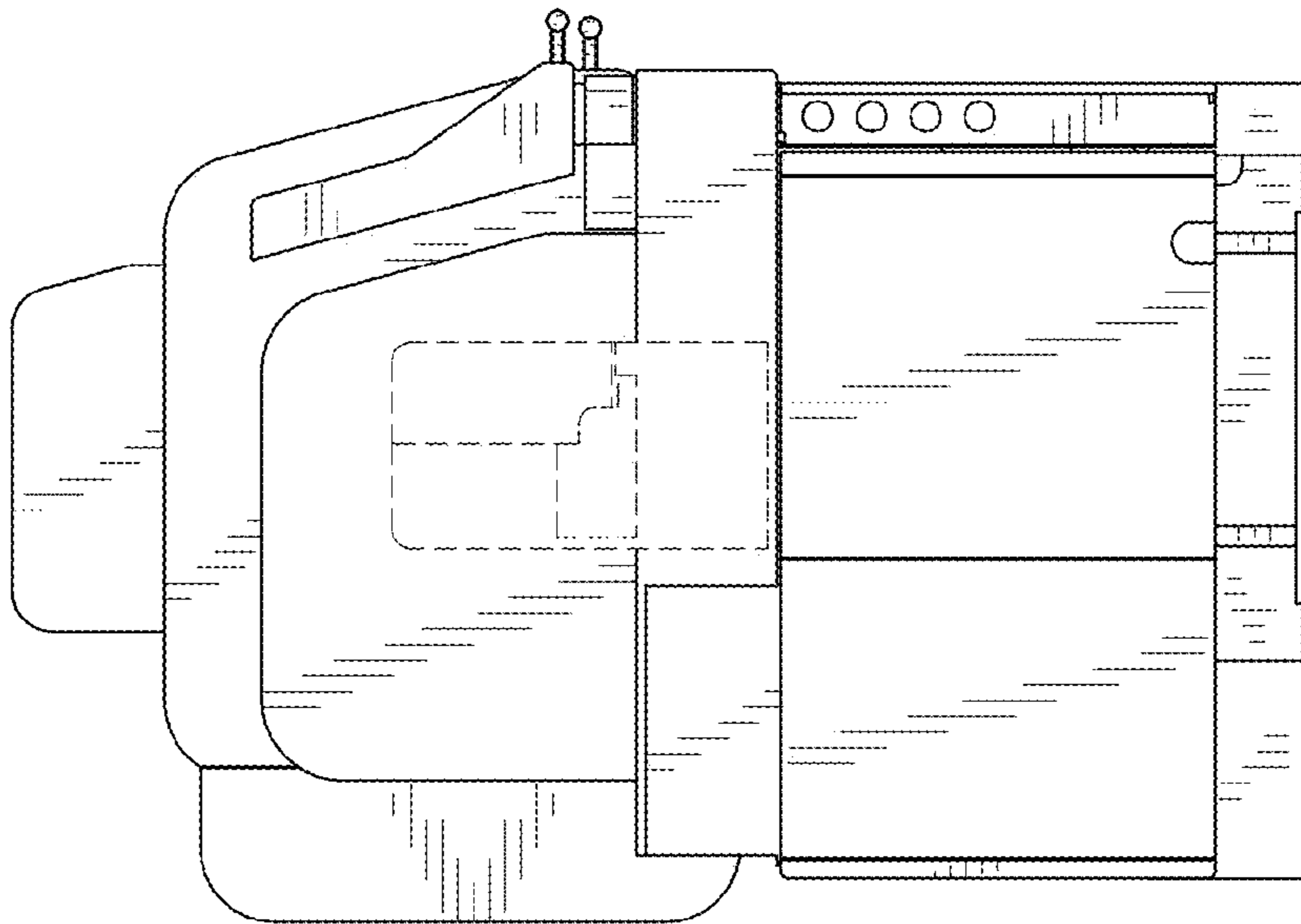


FIG. 4

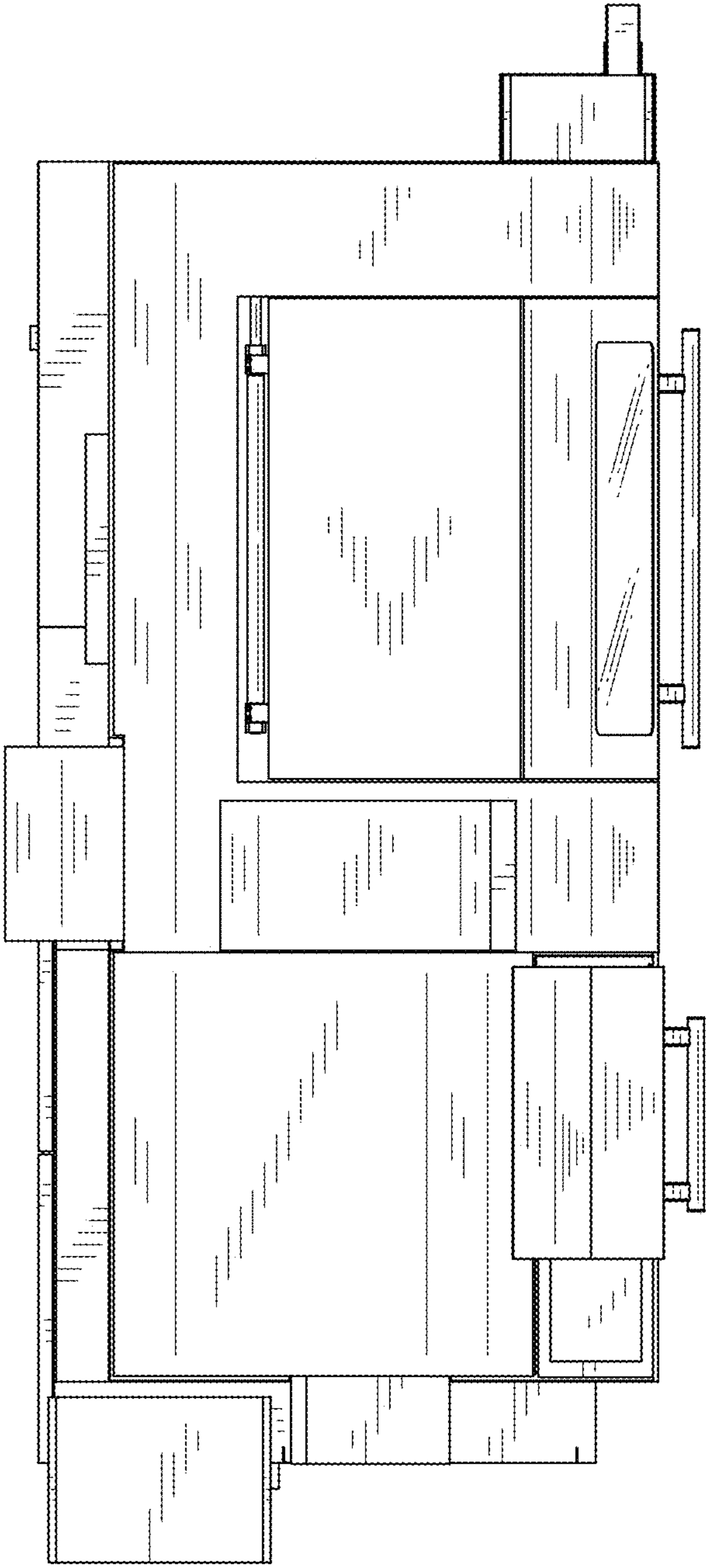


FIG. 6