



US00D759735S

(12) **United States Design Patent**
Tsai

(10) **Patent No.:** **US D759,735 S**
(45) **Date of Patent:** **** Jun. 21, 2016**

(54) **CUBE TRAY**

(71) Applicant: **PRETTY STAR STORE LLC**,
Rowland Heights, CA (US)

(72) Inventor: **Tsung-Yu Tsai**, Changhau (TW)

(73) Assignee: **PRETTY STAR STORE LLC**,
Rowland Heights, CA (US)

(**) Term: **15 Years**

(21) Appl. No.: **29/532,344**

(22) Filed: **Jul. 6, 2015**

(51) **LOC (10) Cl.** **15-07**

(52) **U.S. Cl.**
USPC **D15/90**

(58) **Field of Classification Search**

USPC D15/79, 80, 82, 89, 90; D3/200–201,
D3/203.1, 203.2, 203.3, 205–206, 304–315
CPC F25B 21/02; F25B 2321/02; F25B 1/005;
F25B 2321/0252; F25B 1/00; F25B 1/10;
F25B 21/04; F25B 2339/047; F25B 5/02;
F25B 7/00; F25B 13/00; F25B 1/053; F25B
2309/06; F25B 2321/021; F25B 2321/023;
F25D 23/028; F25D 23/02; F25D 25/025;
F25D 23/00; F25D 2323/021; F25D 11/00;
F25D 2323/024; F25D 23/04; F25D 29/00;
F25D 25/02; F25D 25/024; F25D 27/005;
F25D 23/12; F25D 29/005; F25D 17/042;
F25D 2325/021

See application file for complete search history.

(56) **References Cited**

U.S. PATENT DOCUMENTS

D152,906 S * 3/1949 Richards 220/DIG. 15
D586,830 S * 2/2009 de Groote D15/90
D636,412 S * 4/2011 Misse D15/90
D706,316 S * 6/2014 Hoyord D15/90

* cited by examiner

Primary Examiner — Daniel Bui

Assistant Examiner — Khawaja Anwar

(74) *Attorney, Agent, or Firm* — Muncy, Geissler, Olds &
Lowe PC

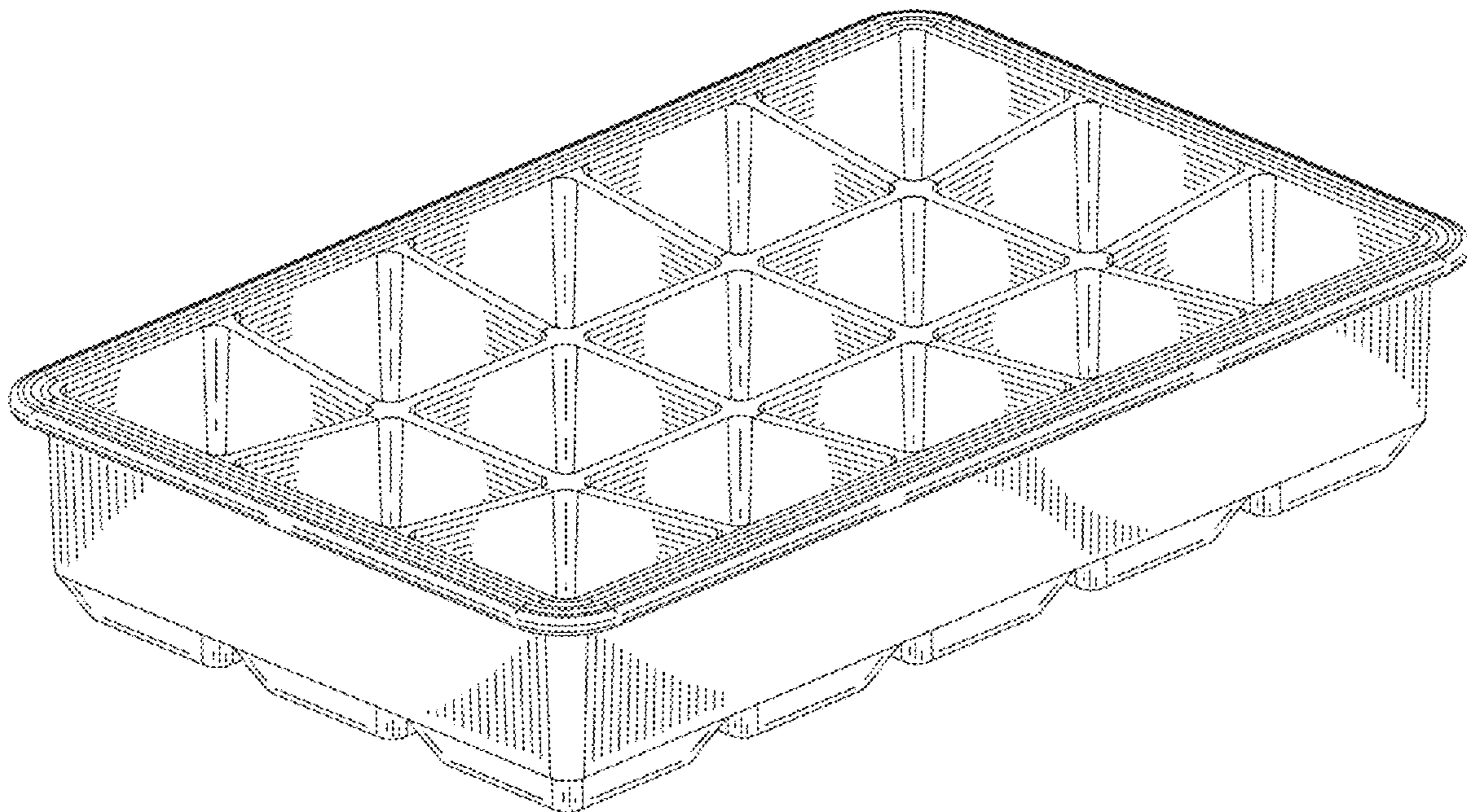
(57) **CLAIM**

The ornamental design for a cube tray, as shown and
described.

DESCRIPTION

FIG. 1 is a perspective view of a cube tray, showing my new
design;
FIG. 2 is a front elevation view thereof, the rear elevation view
being a mirror image thereto;
FIG. 3 is a left side elevation view thereof, the right side
elevation view being a mirror image thereto;
FIG. 4 is a top plan view thereof;
FIG. 5 is a cross sectional view taken along the lines 5-5 of
FIG. 4; and,
FIG. 6 is a bottom plan view thereof.

1 Claim, 5 Drawing Sheets



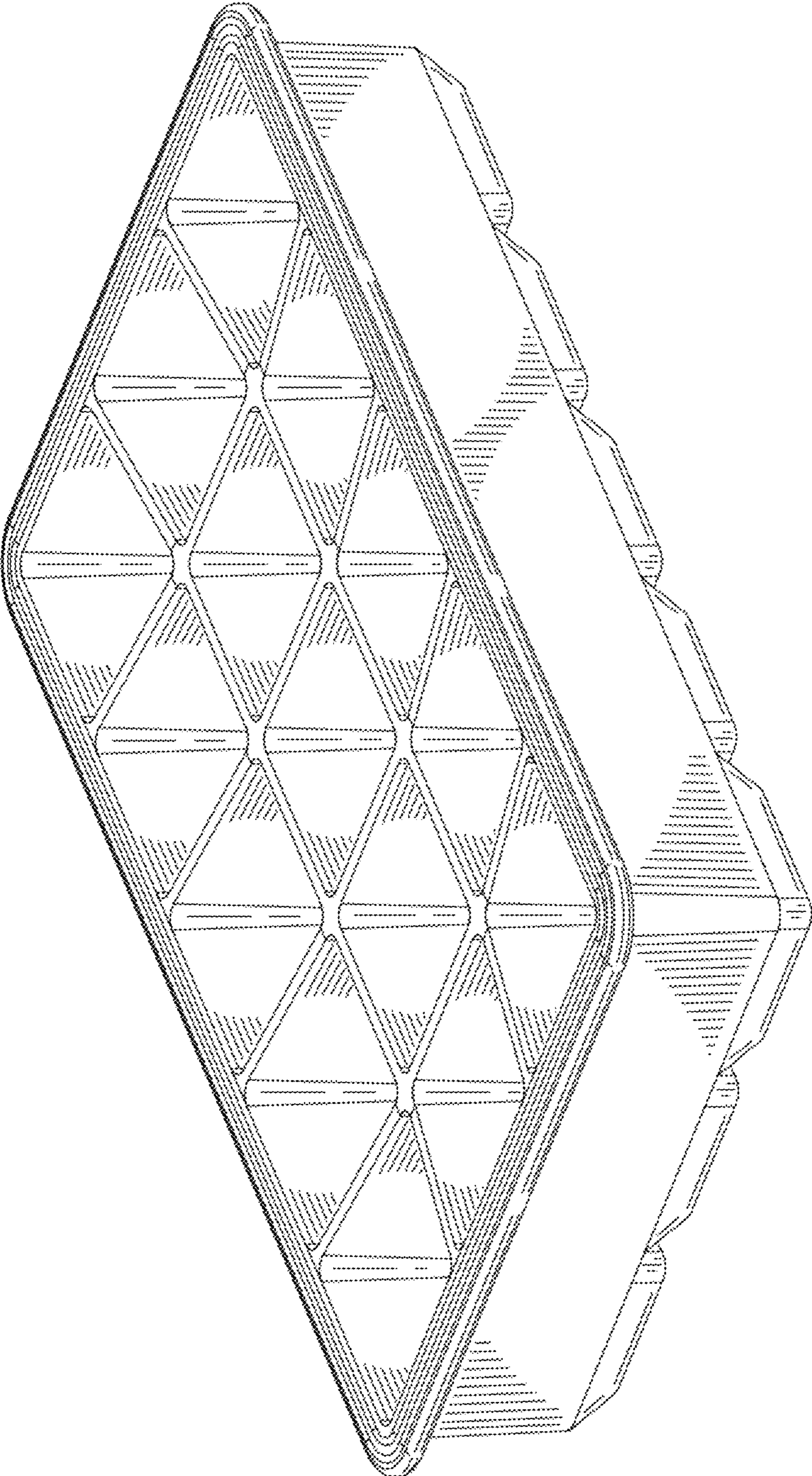


FIG. 1

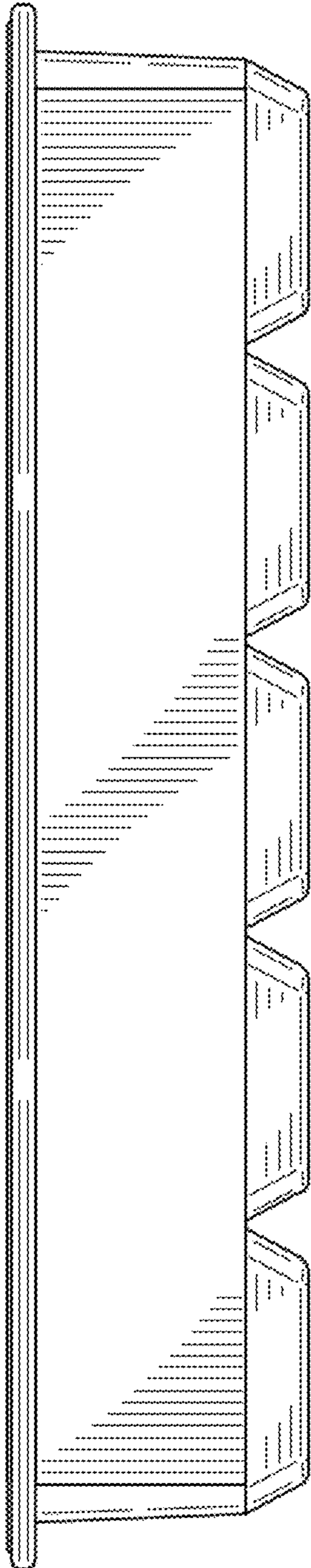


FIG. 2

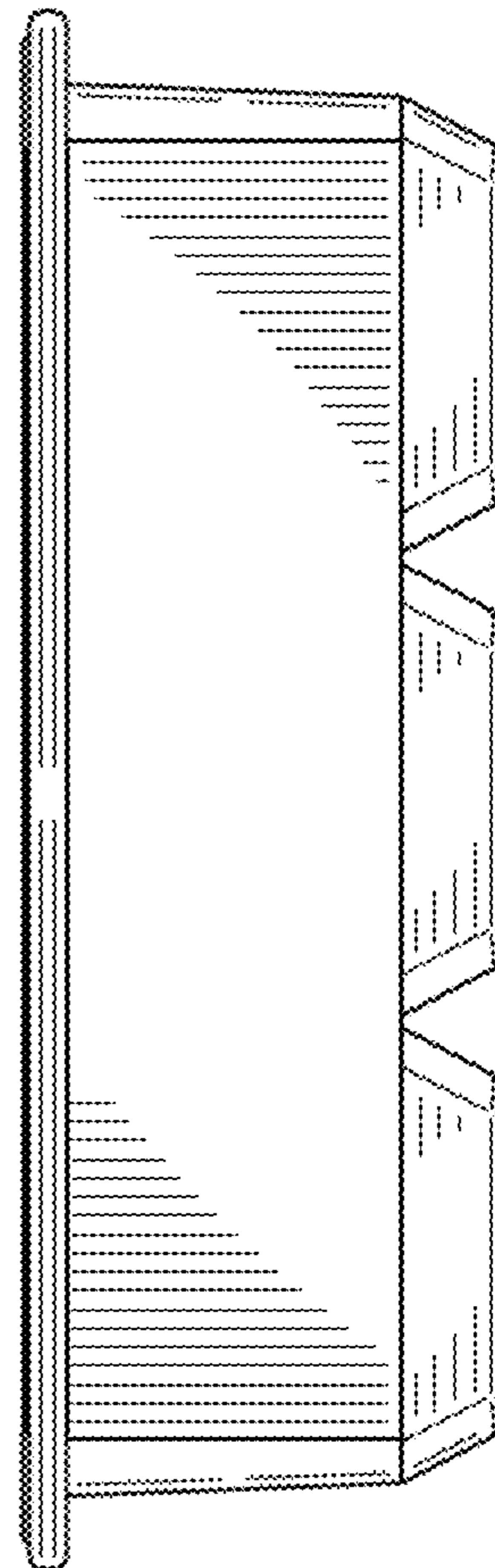


FIG. 3

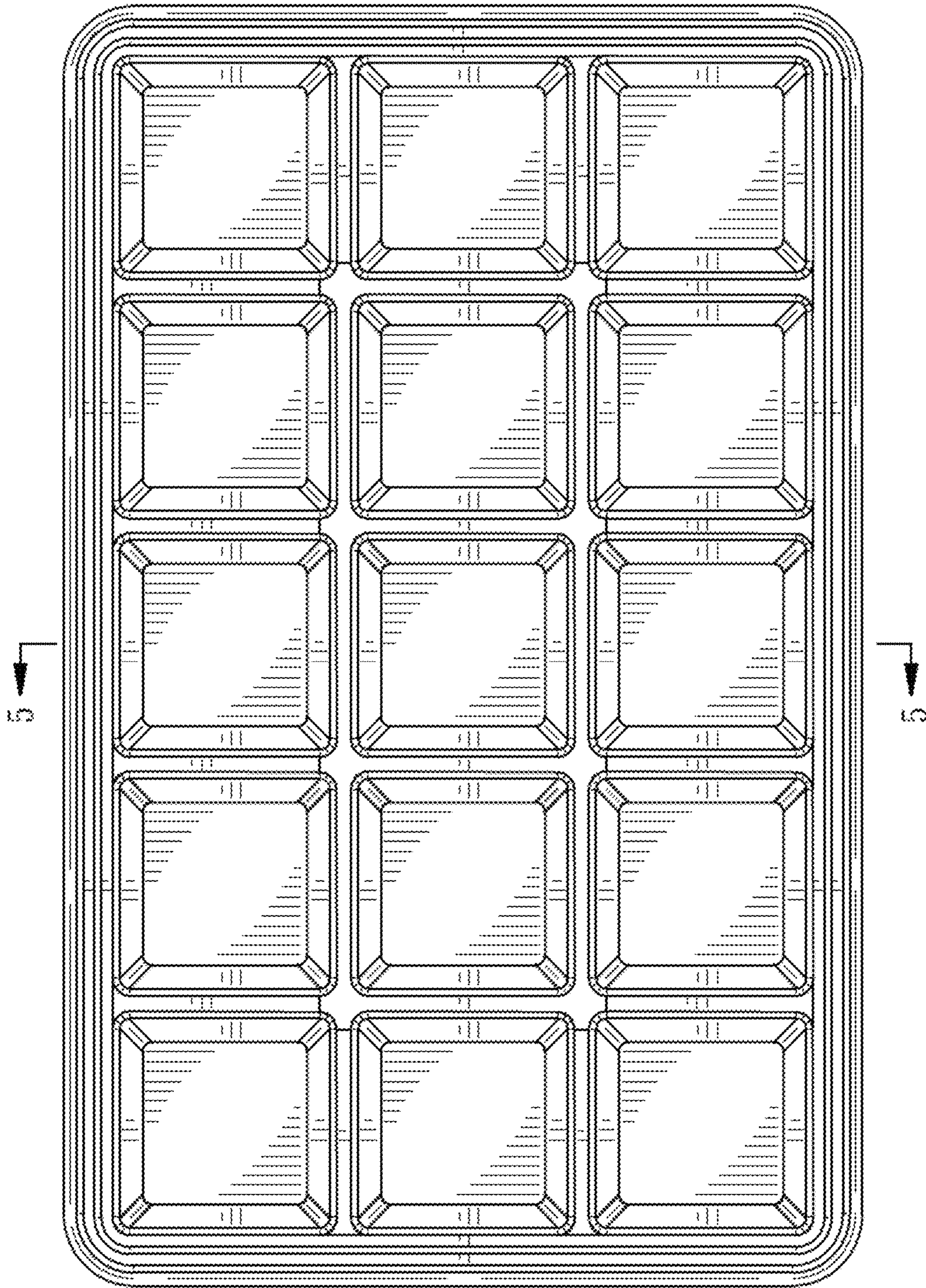


FIG. 4

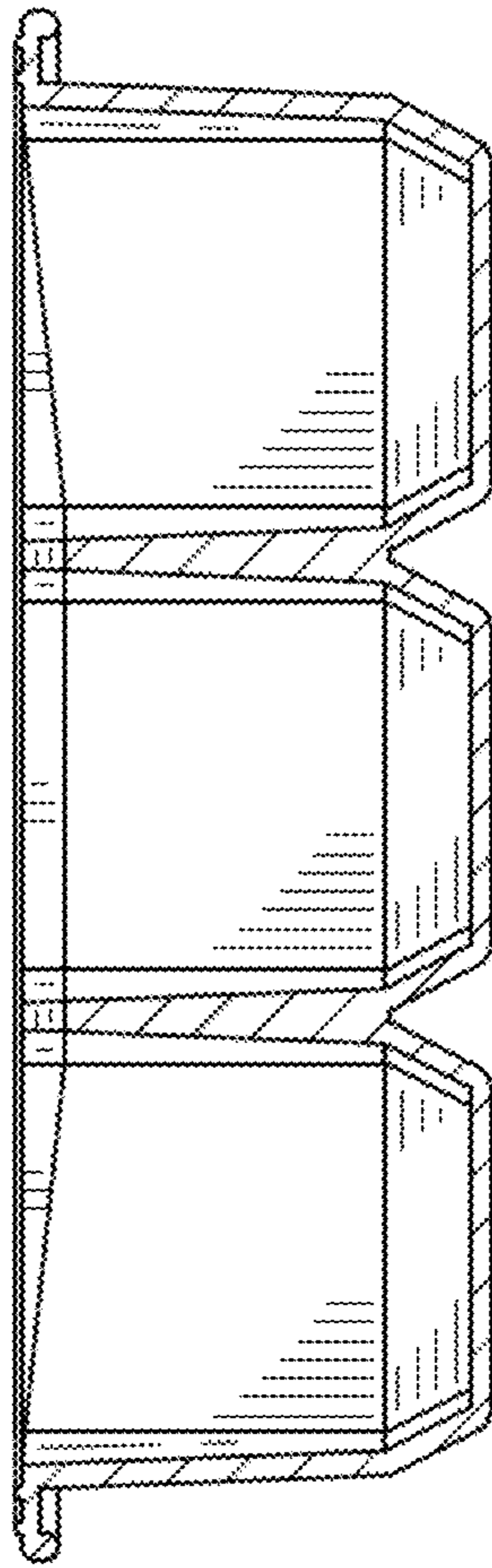


FIG. 5

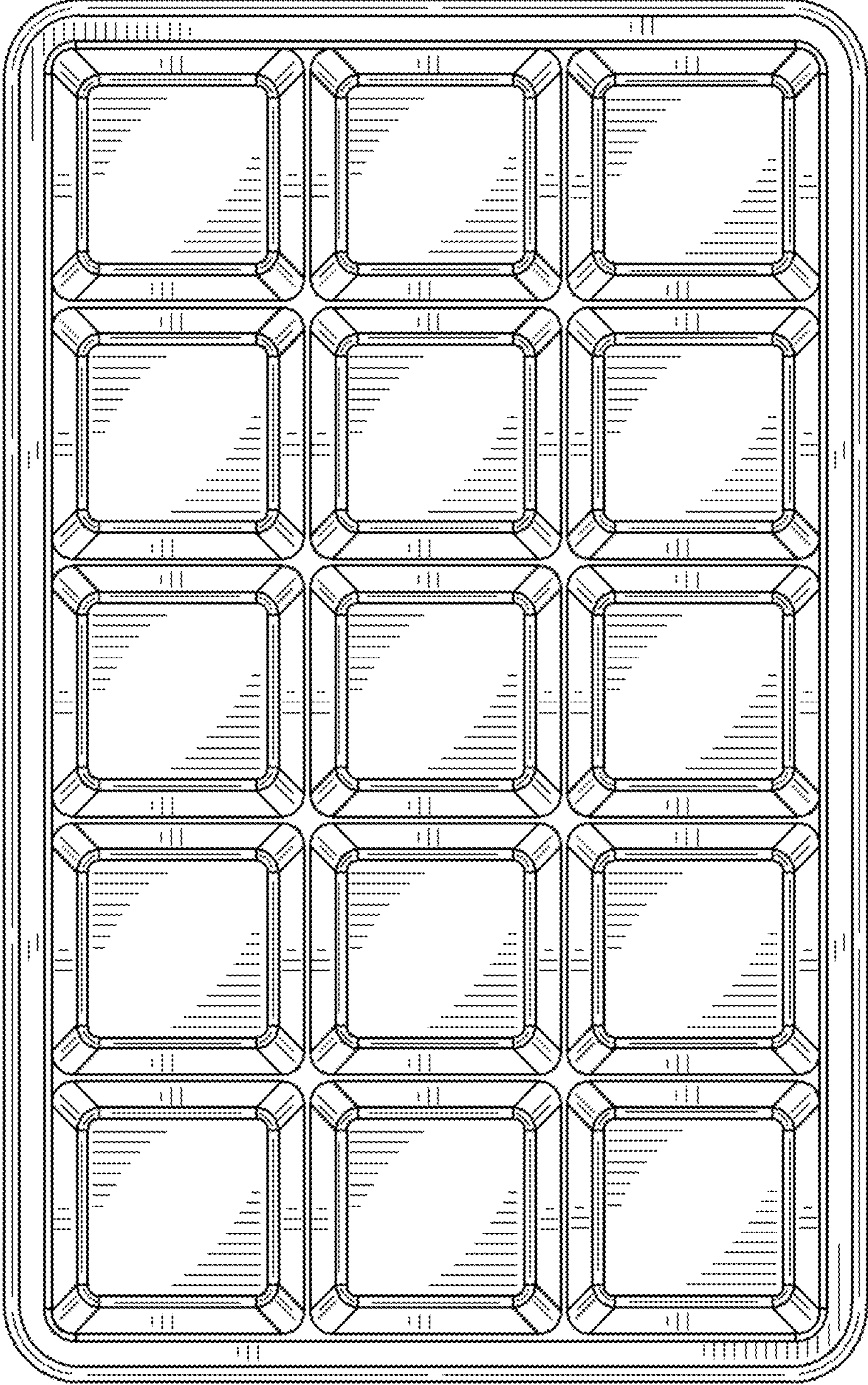


FIG. 6