



US00D759734S

(12) **United States Design Patent**
Lee et al.

(10) **Patent No.:** **US D759,734 S**
(45) **Date of Patent:** **** Jun. 21, 2016**

(54) **CONTAINER FOR REFRIGERATOR**

- (71) Applicant: **Samsung Electronics Co., Ltd.**,
Suwon-si (KR)
- (72) Inventors: **Seon Ju Lee**, Seoul (KR); **Sun Min Lee**,
Seoul (KR)
- (73) Assignee: **Samsung Electronics Co., Ltd.**,
Suwon-si (KR)
- (**) Term: **14 Years**
- (21) Appl. No.: **29/509,838**
- (22) Filed: **Nov. 21, 2014**
- (30) **Foreign Application Priority Data**

May 22, 2014 (KR) 30-2014-0025346

(51) **LOC (10) Cl.** **15-07**

(52) **U.S. Cl.**
USPC **D15/89**

(58) **Field of Classification Search**
USPC D15/79-91
CPC F25B 21/02; F25B 21/04; F25B 29/00;
F25B 2321/025; F25B 2321/0251; F25B
2339/047; F25B 2400/22; F25B 2700/2117;
F25B 1/00; F25B 1/10; F25B 2309/061;
F25B 2321/02; F25B 2347/021; F25B
2400/0411; F25B 2400/06; F25D 23/028;
F25D 23/02; F25D 25/025; F25D 23/00;
F25D 2323/021; F25D 11/00; F25D 23/04;
F25D 25/02; F25D 23/021; F25D 23/067;
F25D 25/024; F25D 17/042; F25D 2323/024;
F25D 23/065

See application file for complete search history.

(56) **References Cited**

U.S. PATENT DOCUMENTS

D709,926 S *	7/2014	Park	D15/89
D709,927 S *	7/2014	Park	D15/89
D738,408 S *	9/2015	Lee	D15/89
D745,068 S *	12/2015	Jeon	D15/89
D745,581 S *	12/2015	Jeon	D15/89

* cited by examiner

Primary Examiner — Daniel Bui

Assistant Examiner — Khawaja Anwar

(74) *Attorney, Agent, or Firm* — NSIP Law

(57) **CLAIM**

We claim the ornamental design for a container for refrigerator, as shown and described.

DESCRIPTION

FIG. 1 is a front perspective view of a container for refrigerator showing our new design;
FIG. 2 is a front view thereof;
FIG. 3 is a rear view thereof;
FIG. 4 is a left-side view thereof;
FIG. 5 is a right-side view thereof;
FIG. 6 is a top view thereof;
FIG. 7 is a bottom view thereof; and,
FIG. 8 is an enlarged cross sectional view taken along line 8-8 of FIG. 2.

1 Claim, 8 Drawing Sheets

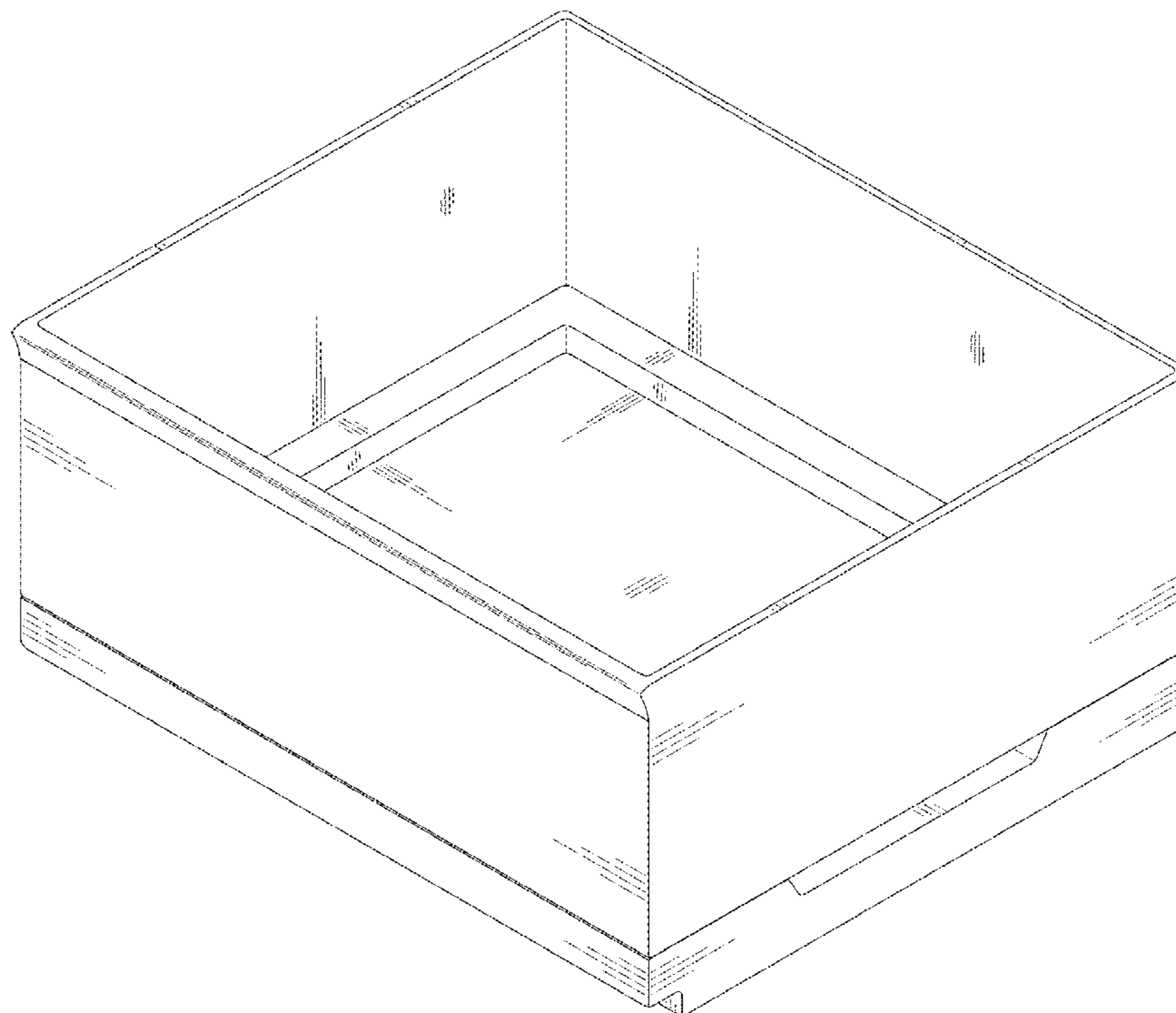


FIG. 1

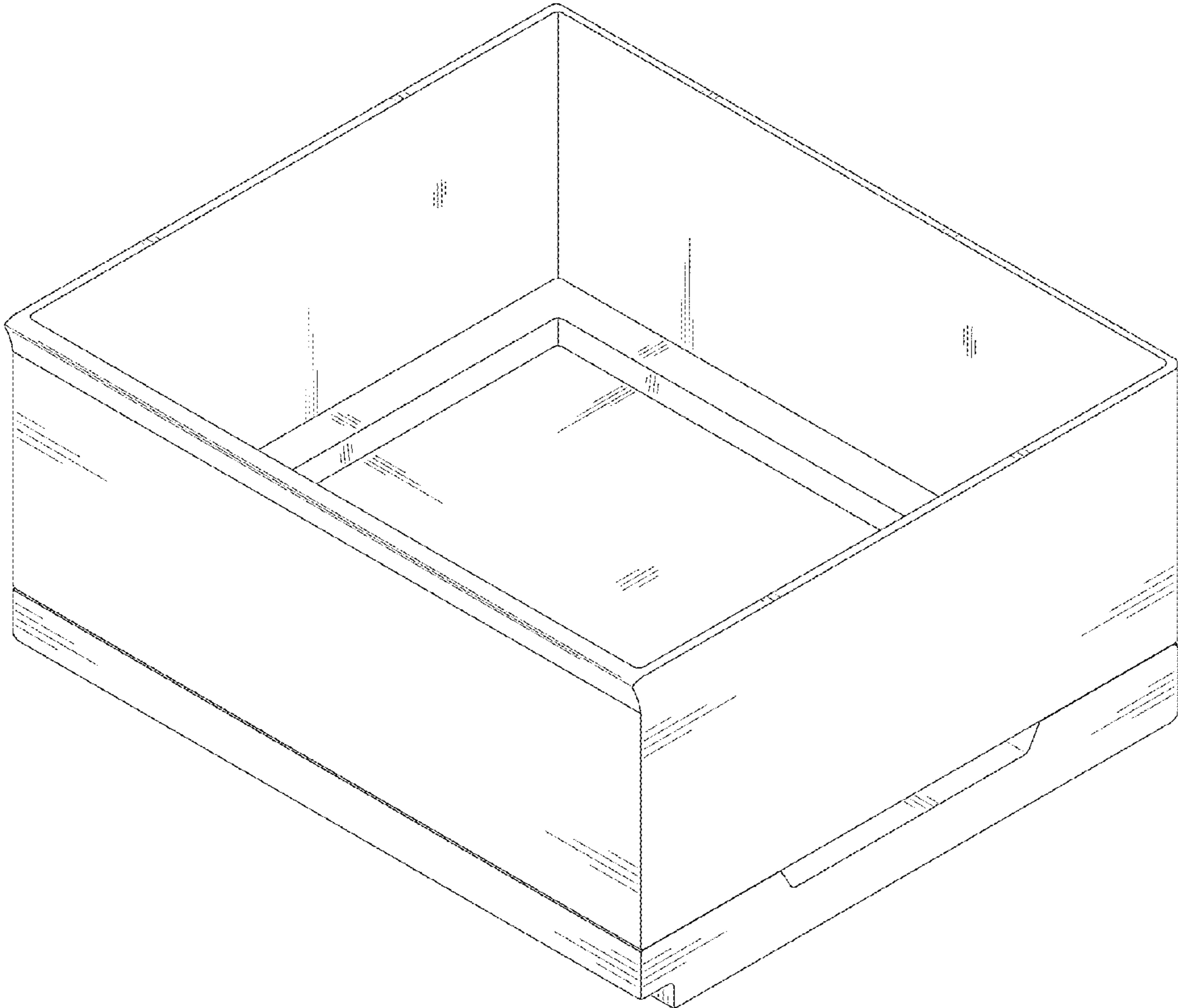


FIG. 2

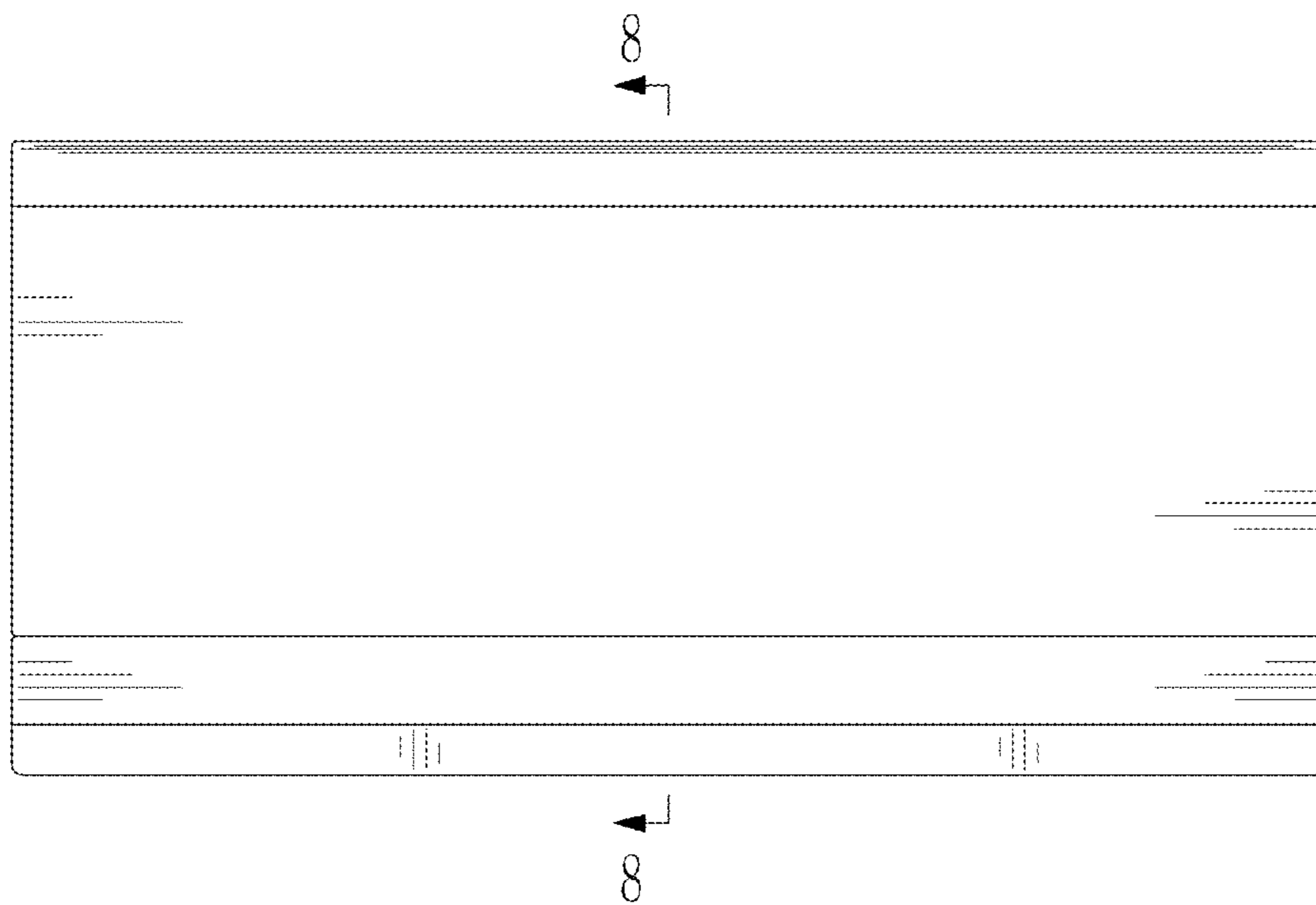


FIG. 3



FIG. 4

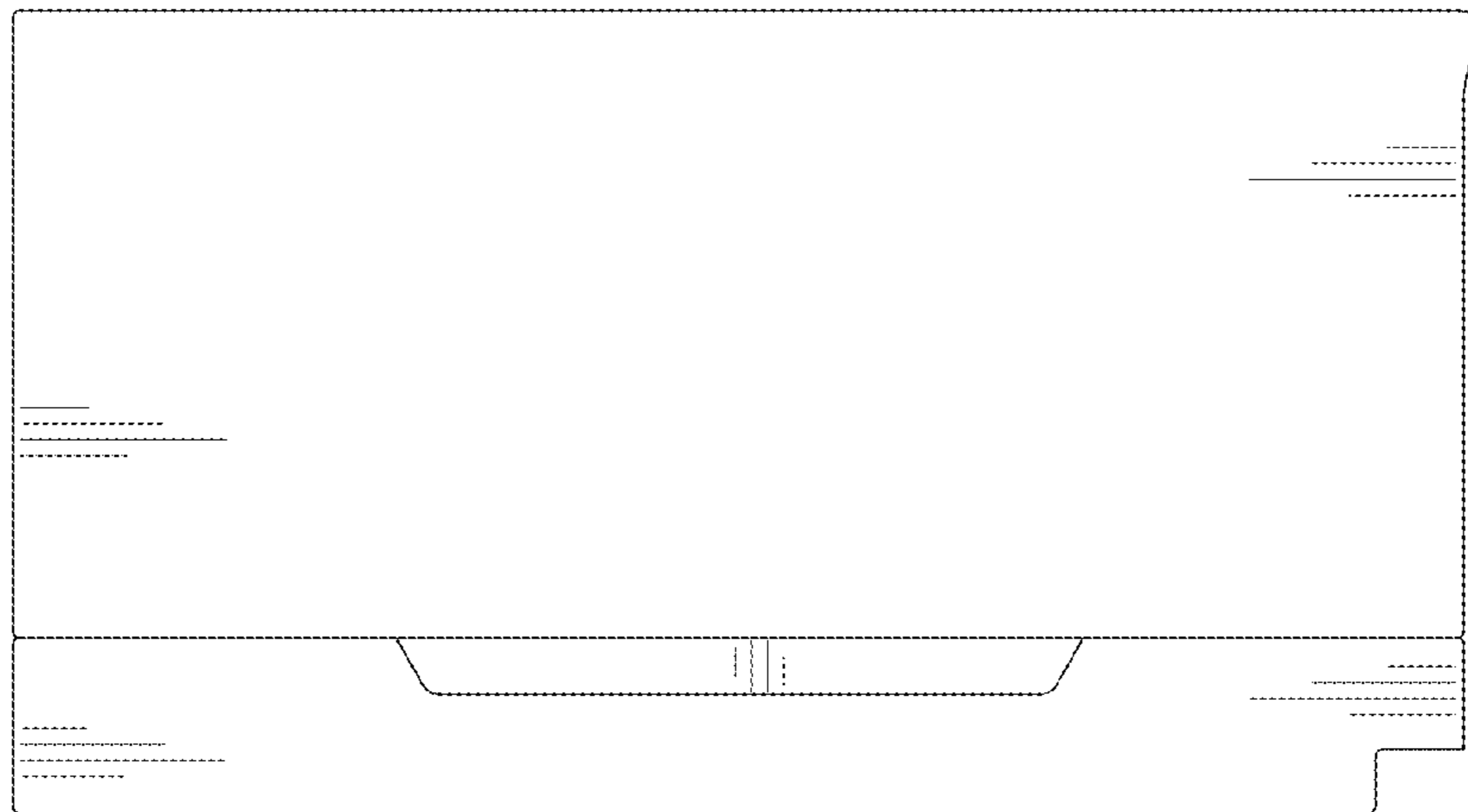


FIG. 5

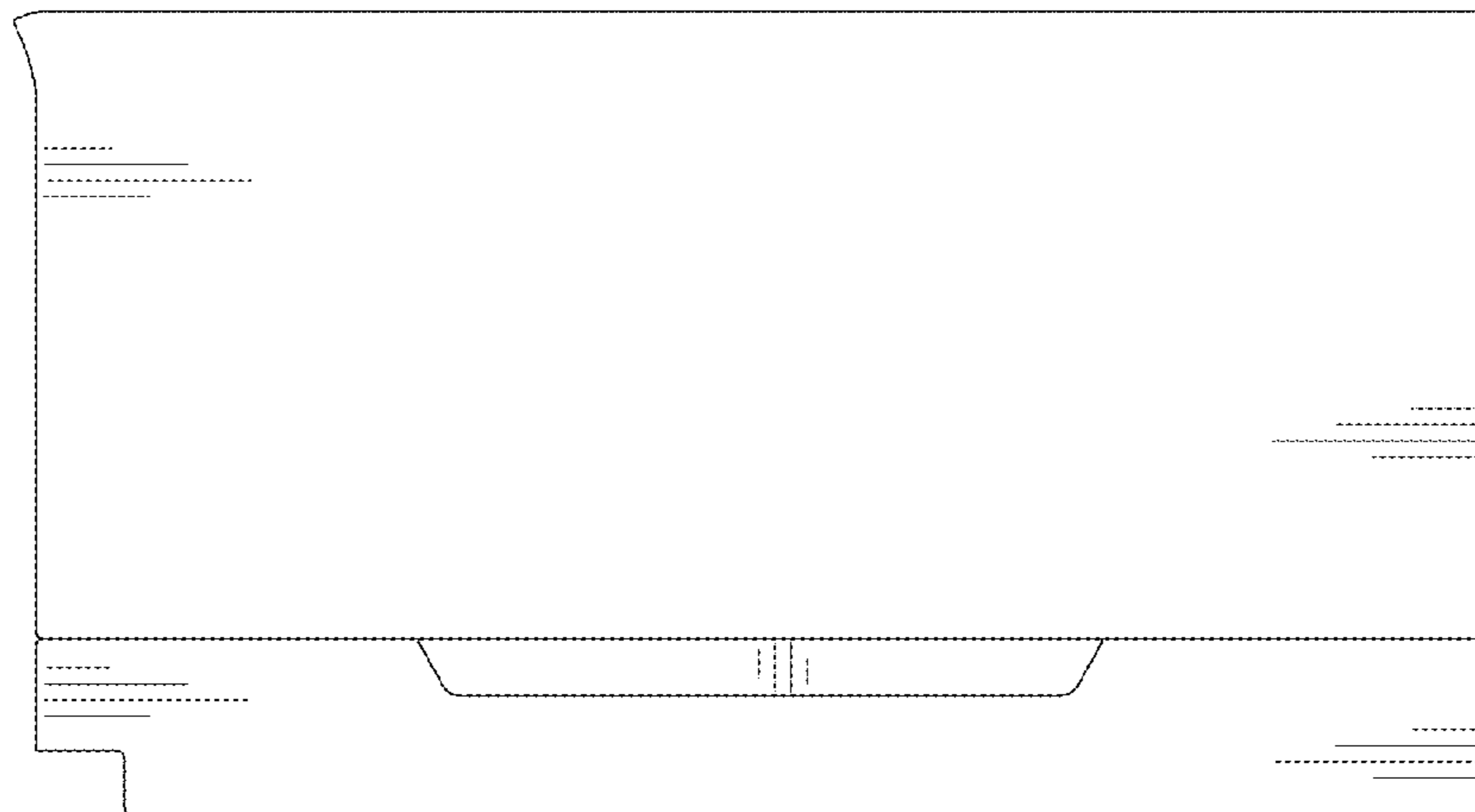


FIG. 6

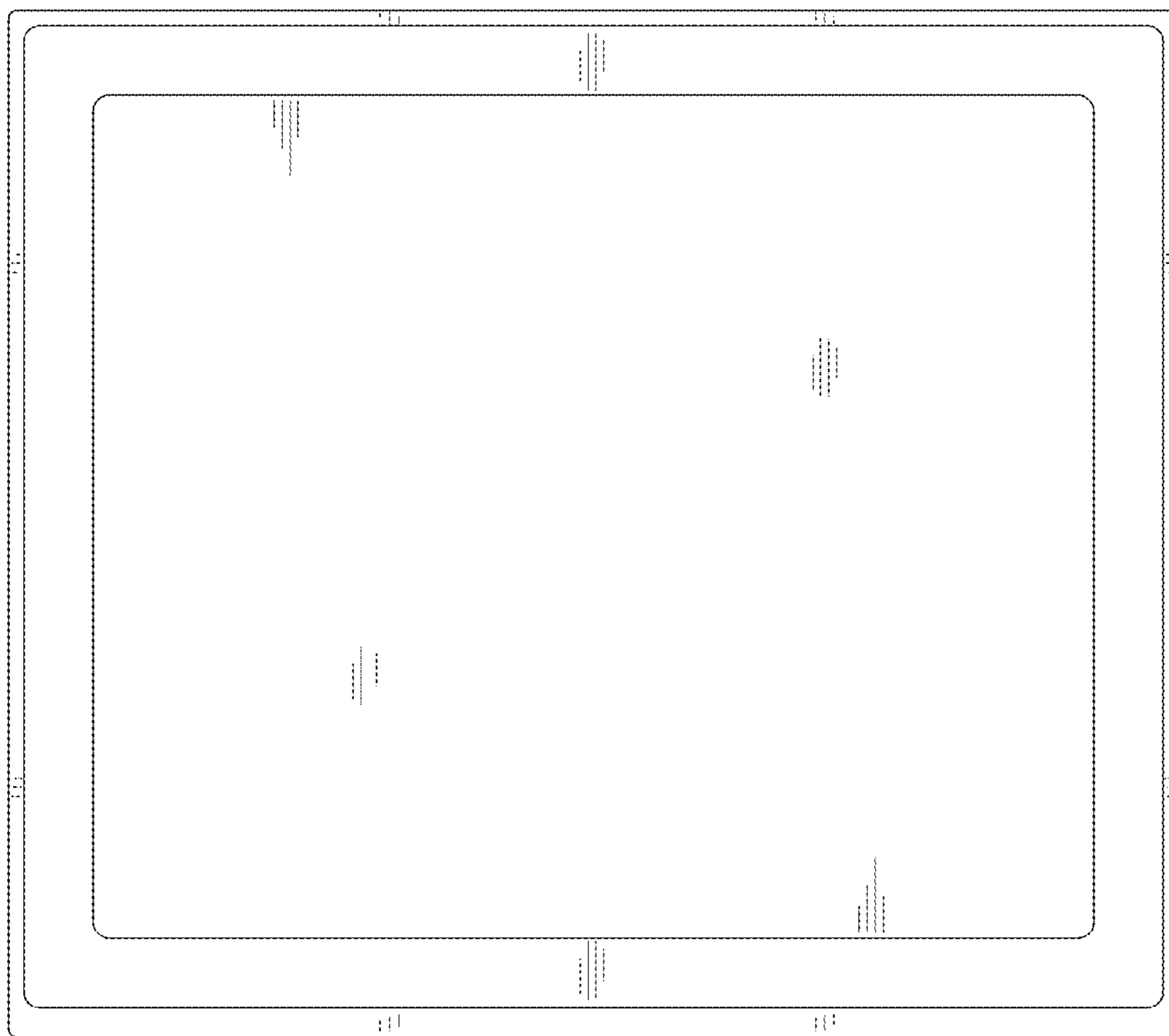


FIG. 7

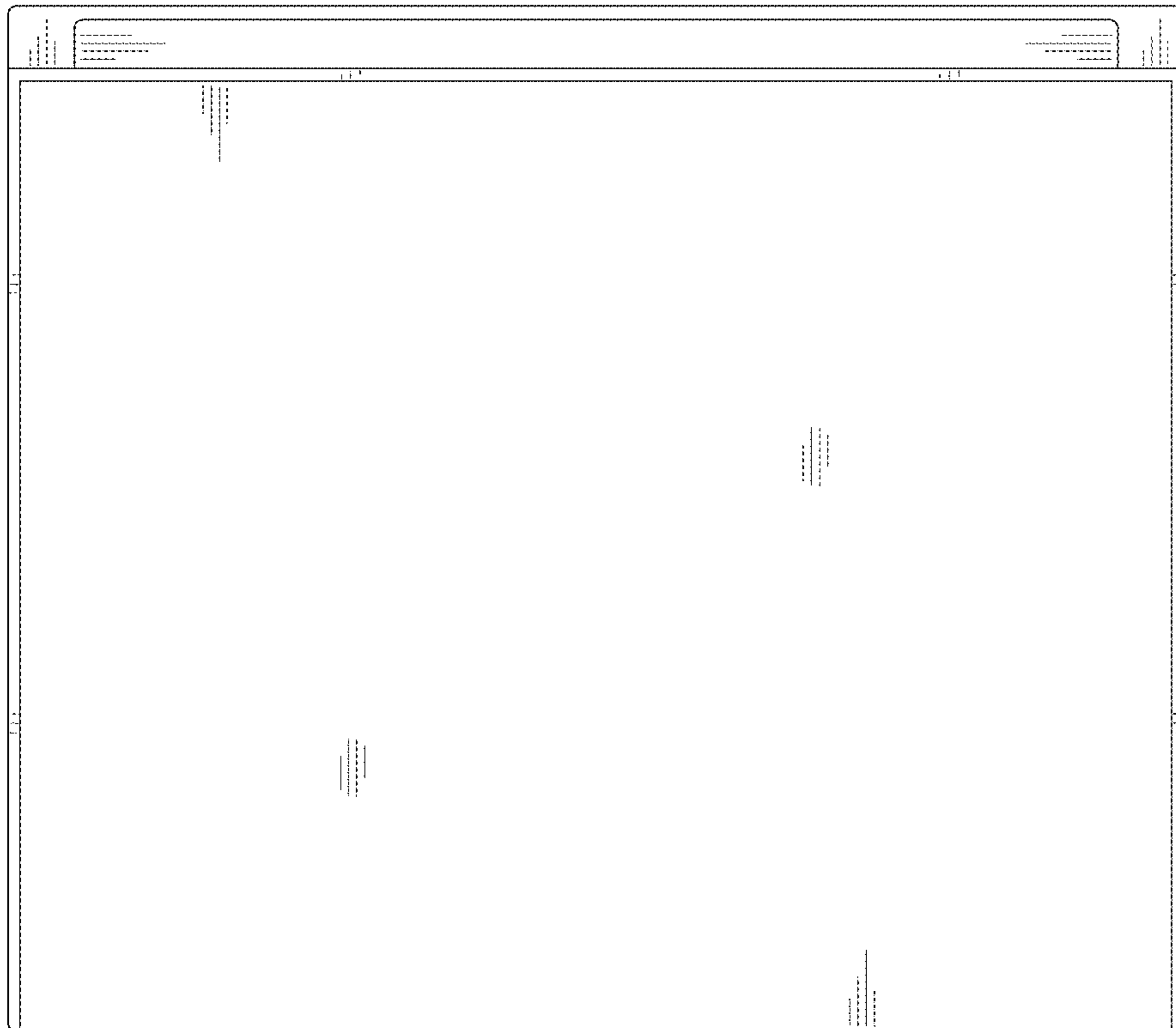


FIG. 8

