



US00D759732S

(12) **United States Design Patent**  
**Crow**

(10) **Patent No.:** **US D759,732 S**  
(45) **Date of Patent:** **\*\* Jun. 21, 2016**

(54) **WIRE YARN CONE HOLDER**  
(71) Applicant: **Mitchell A. Crow**, Dalton, GA (US)  
(72) Inventor: **Mitchell A. Crow**, Dalton, GA (US)  
(\*\*) Term: **14 Years**  
(21) Appl. No.: **29/519,053**  
(22) Filed: **Mar. 2, 2015**  
(51) **LOC (10) Cl.** ..... **15-06**  
(52) **U.S. Cl.**  
USPC ..... **D15/78**  
(58) **Field of Classification Search**  
USPC ..... D15/66-78  
CPC ..... B65H 2701/31; B65H 49/06; D04B 15/40  
See application file for complete search history.

(56) **References Cited**  
U.S. PATENT DOCUMENTS  
412,853 A \* 10/1889 Keene ..... B05C 13/00  
118/503  
666,943 A \* 1/1901 Thompson ..... A47F 13/04  
242/129.4  
2,283,373 A \* 5/1942 Krafft ..... B65H 49/06  
242/130.1  
3,987,979 A \* 10/1976 Knispel ..... B65H 49/22  
242/136  
D275,013 S \* 8/1984 Ballinger ..... D15/72  
4,705,231 A \* 11/1987 Green ..... B65H 49/06  
242/130  
4,824,042 A \* 4/1989 Whitaker ..... B65H 49/06  
242/130

5,125,591 A \* 6/1992 Byars ..... B65H 49/06  
242/129.7  
5,531,392 A \* 7/1996 Weiner ..... B65H 57/12  
112/163  
5,613,643 A \* 3/1997 Weiner ..... B65H 57/12  
112/163  
5,683,056 A \* 11/1997 Gravitt ..... B65H 49/06  
242/130  
D692,928 S \* 11/2013 Crow ..... D15/78  
D738,937 S \* 9/2015 Crow ..... D15/78

\* cited by examiner

*Primary Examiner* — Mitchell Siegel  
(74) *Attorney, Agent, or Firm* — Rodgers & Rodgers

(57) **CLAIM**  
The ornamental design for a wire yarn cone holder, as shown and described.

**DESCRIPTION**

FIG. 1 is a front perspective view of a wire yarn cone holder showing my new design;  
FIG. 2 is a front elevational view thereof;  
FIG. 3 is a right-side elevational view thereof;  
FIG. 4 is a rear elevational view thereof;  
FIG. 5 is a left-side elevational view thereof;  
FIG. 6 is a top plan view thereof;  
FIG. 7 is a bottom plan view thereof;  
FIG. 8 is a rear perspective view thereof; and,  
FIG. 9 is a rear perspective view of a second embodiment of FIG. 1, the only difference being the orientation of the base, it being understood that all other surfaces are the same as those of the first embodiment.

**1 Claim, 3 Drawing Sheets**

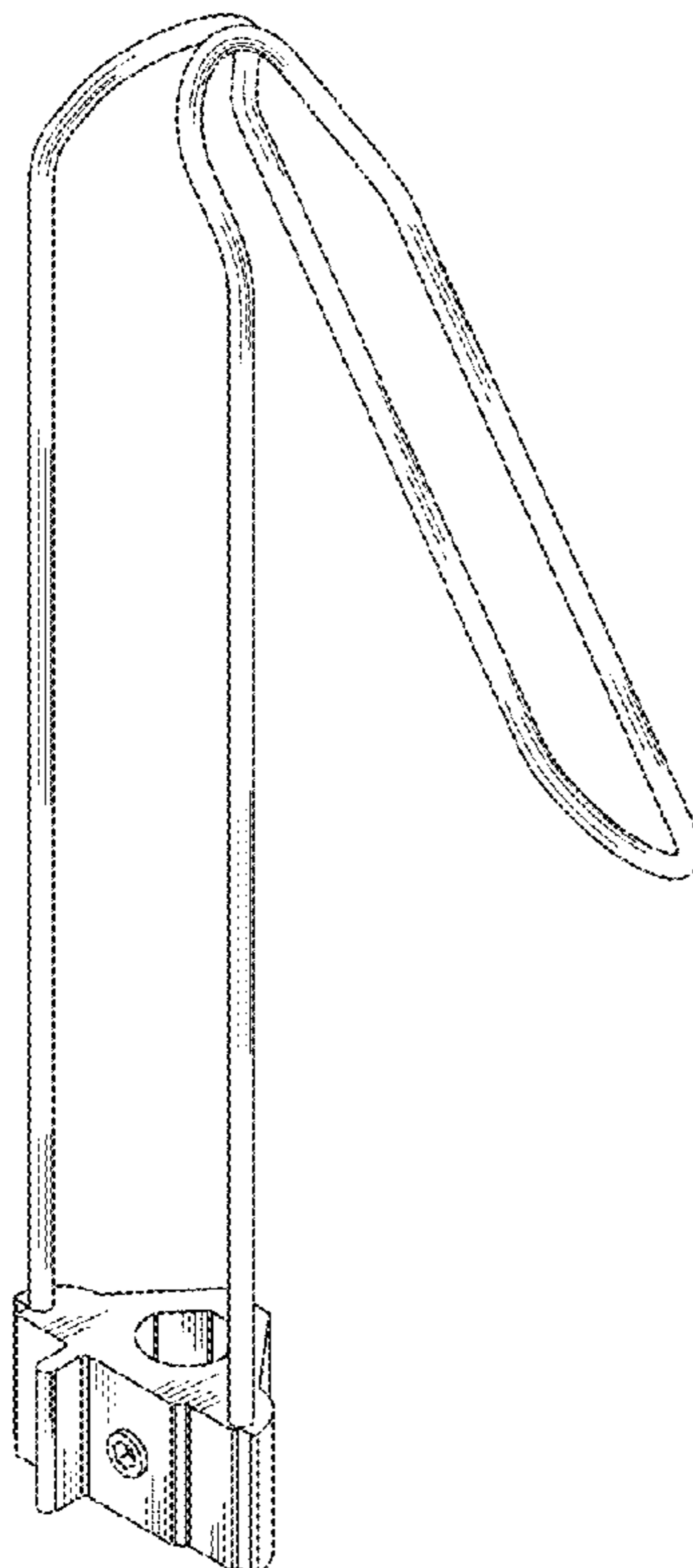


Fig 1

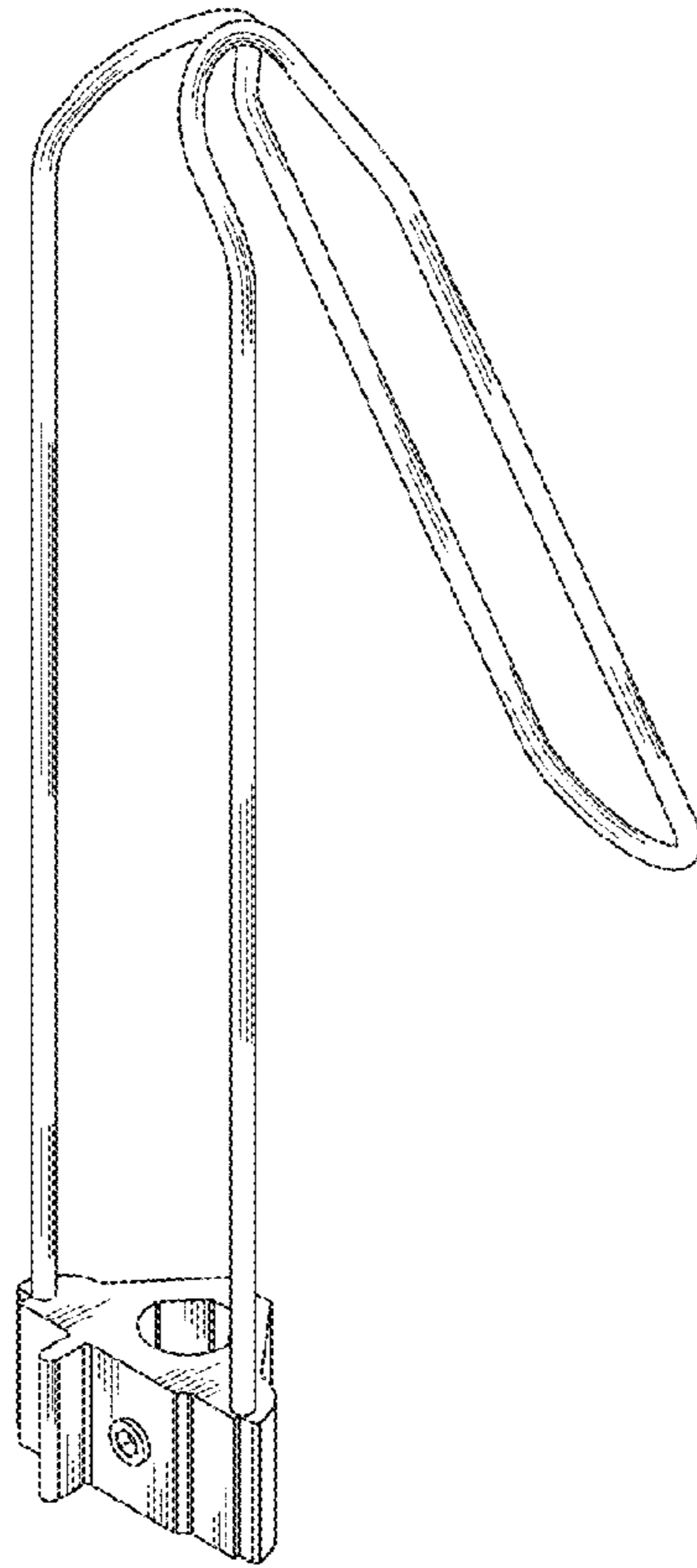


Fig 3

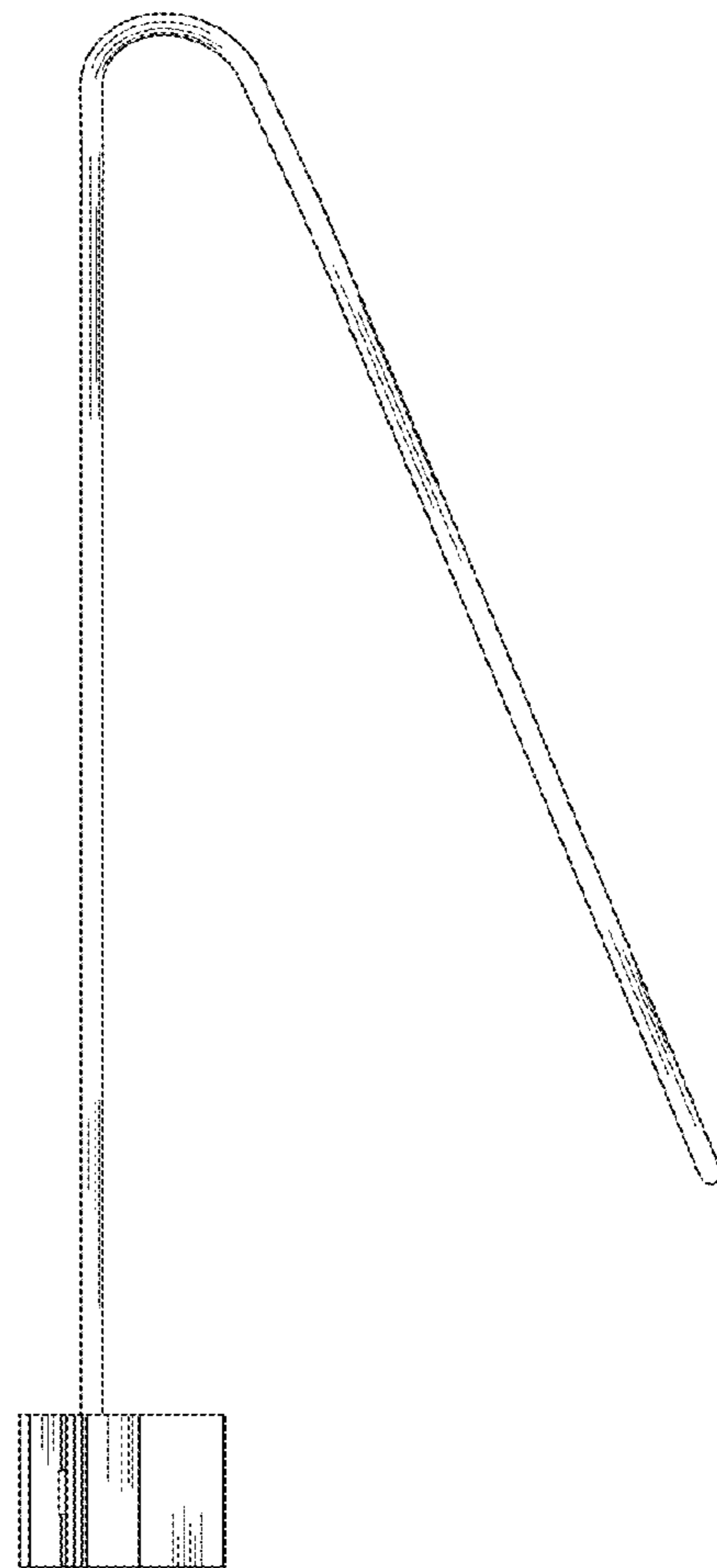
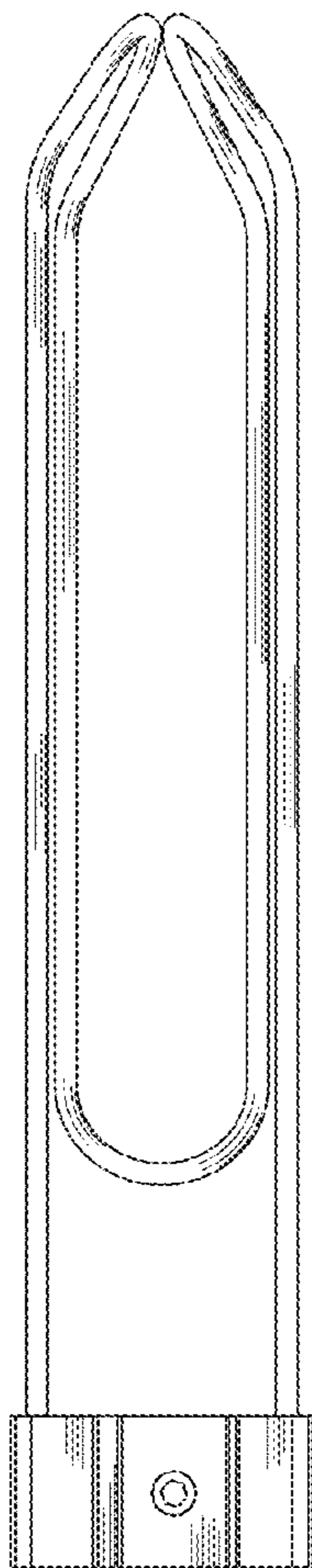


Fig 2



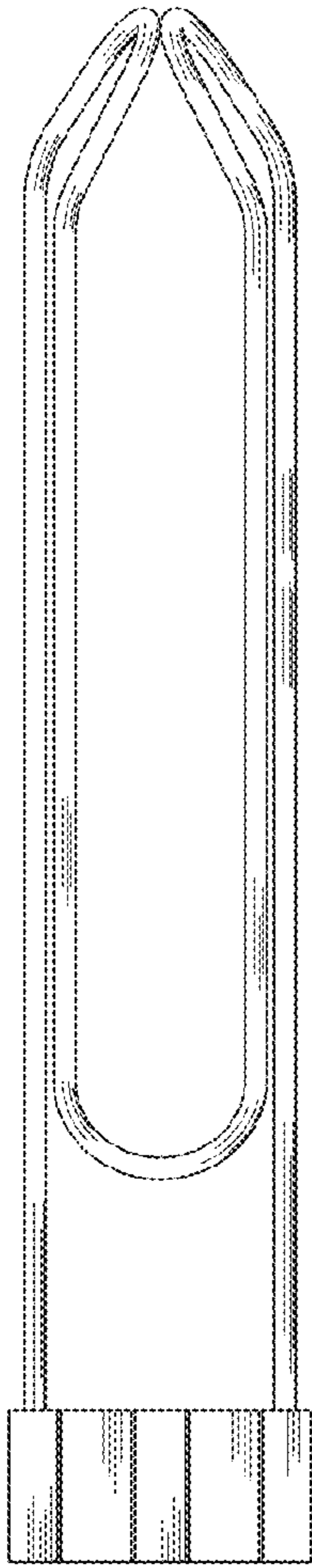


Fig 4

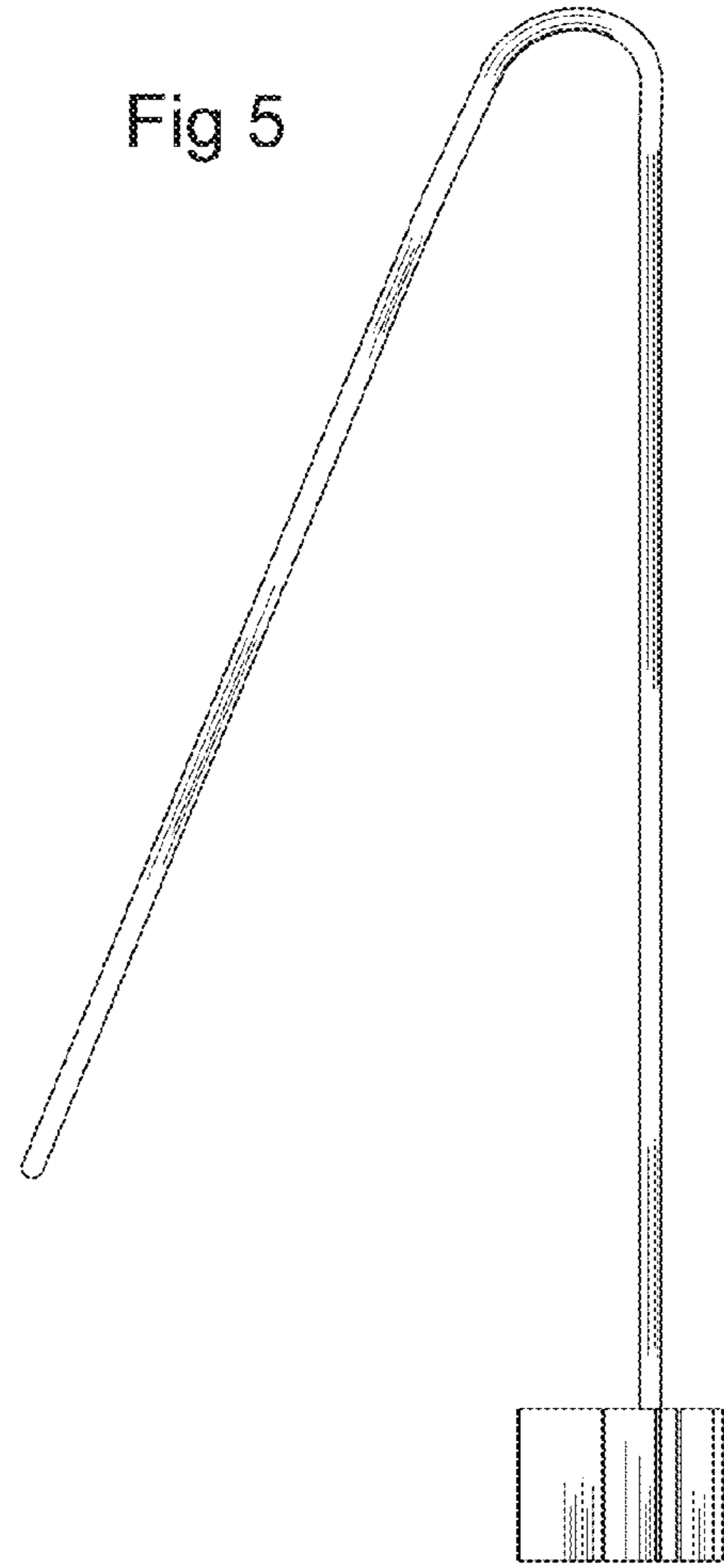


Fig 5

Fig 6

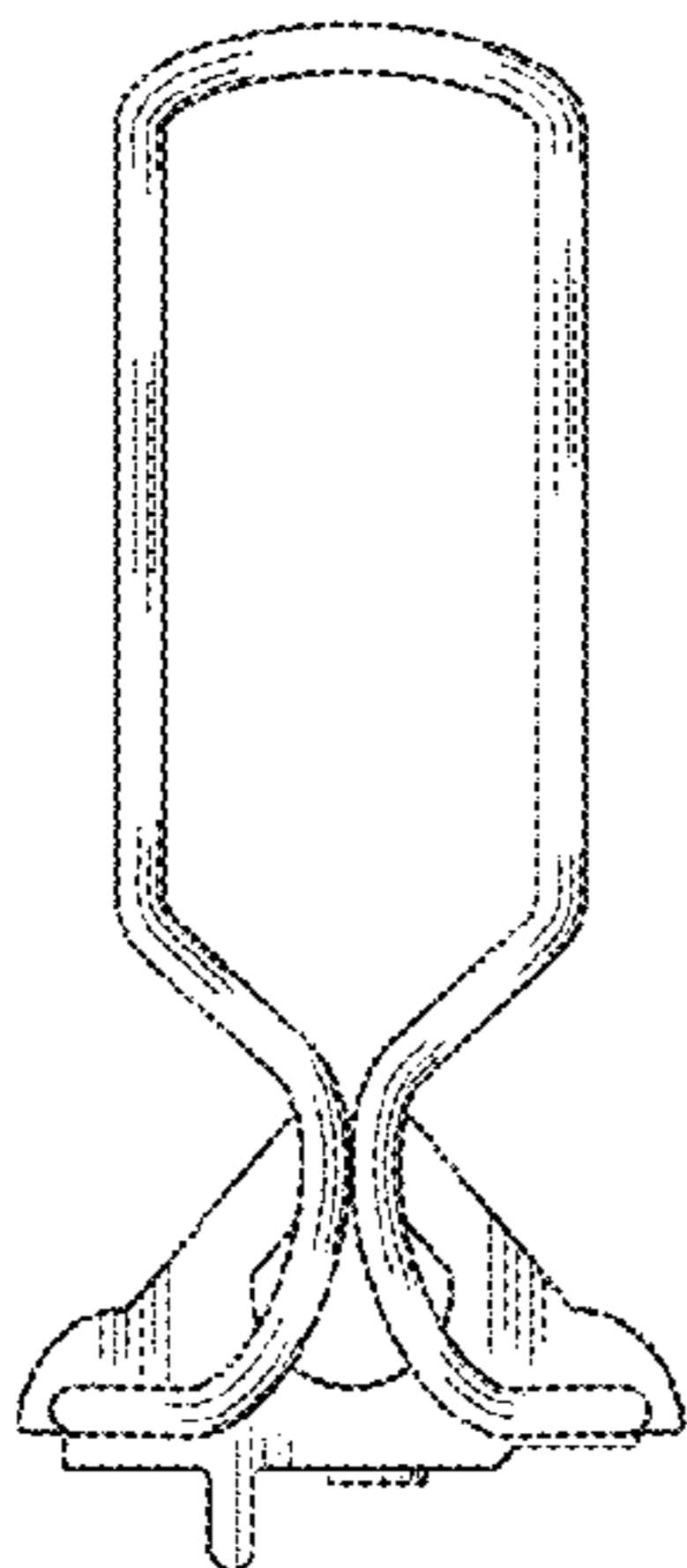


Fig 7

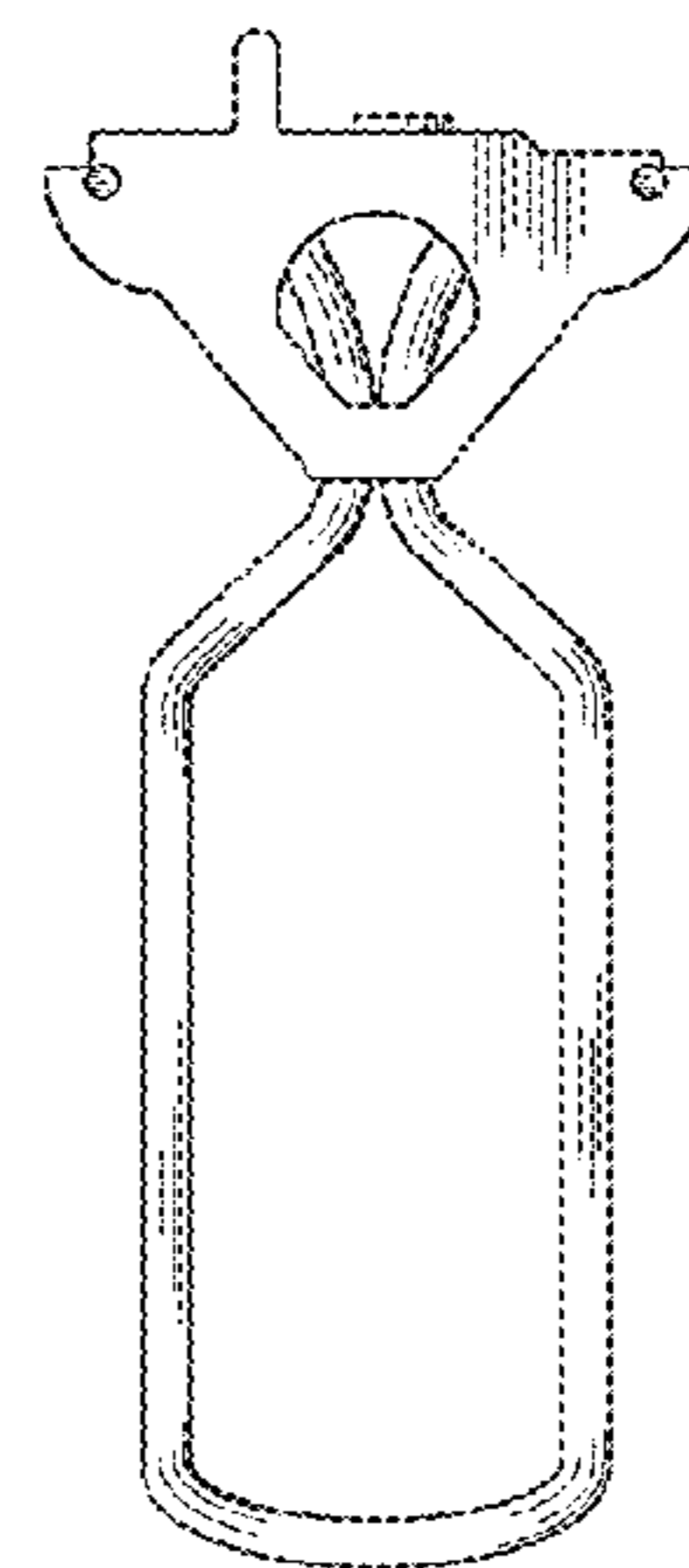


Fig 8

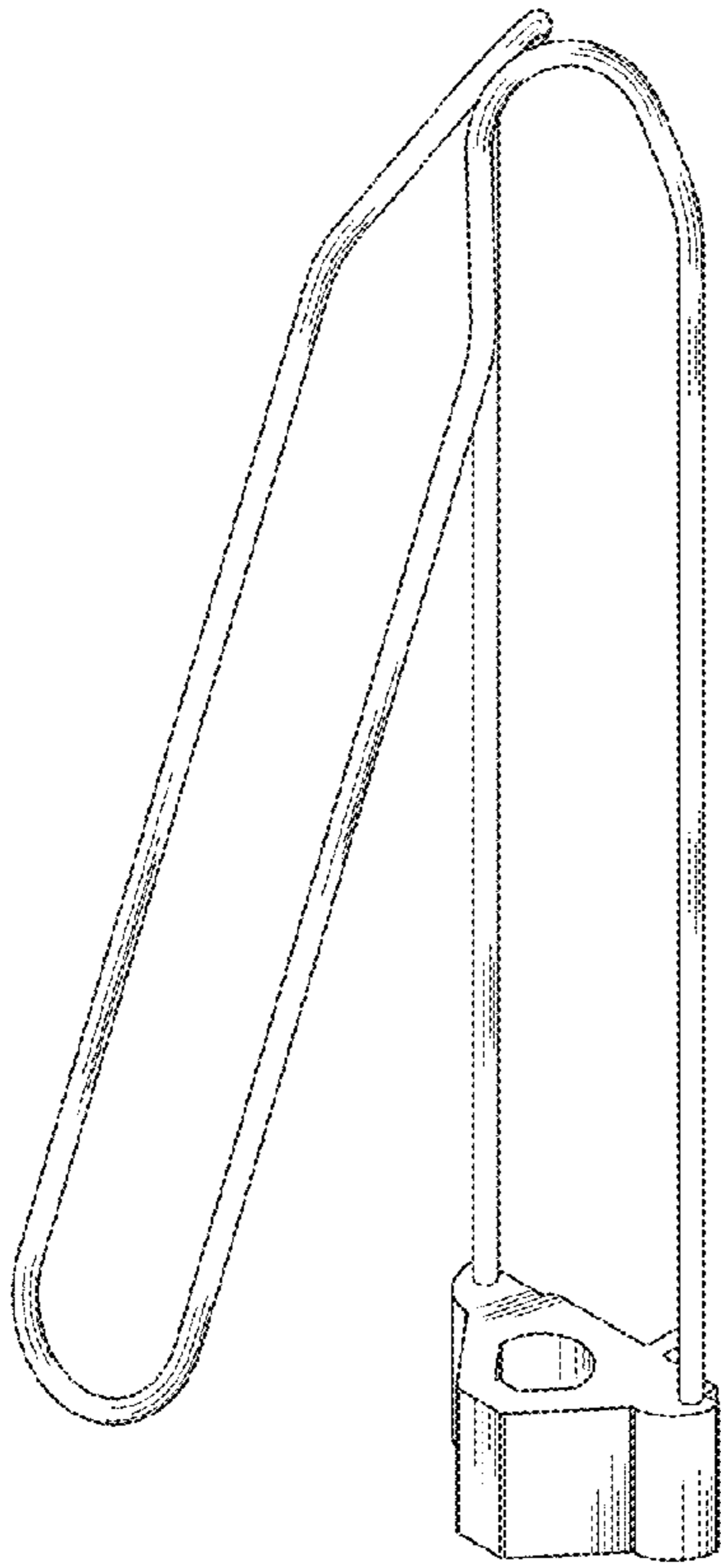


Fig 9

