

US00D759729S

(12) **United States Design Patent**
Harnetiaux et al.

(10) **Patent No.:** **US D759,729 S**
(45) **Date of Patent:** **** Jun. 21, 2016**

- (54) **GRANULAR CHEMICAL ROW UNIT**
- (71) Applicant: **CNH Industrial America LLC**, New Holland, PA (US)
- (72) Inventors: **Travis L. Harnetiaux**, Bourbonnais, IL (US); **Henry Tran**, Elk Grove Village, IL (US)
- (73) Assignee: **CNH Industrial America LLC**, New Holland, PA (US)
- (**) Term: **15 Years**
- (21) Appl. No.: **29/531,848**
- (22) Filed: **Jun. 30, 2015**
- (51) **LOC (10) Cl.** **15-03**
- (52) **U.S. Cl.**
USPC **D15/11; D15/13; D15/27; D15/28**
- (58) **Field of Classification Search**
USPC D15/10, 11, 13, 27, 28, 12, 17, 19, 21, D15/33; 56/15.8, 15.9; 172/311, 210, 466, 172/484, 456, 481, 605, 626, 776, 507; 111/52-57; 280/401
CPC A01C 5/00; A01C 5/06; A01C 7/00; A01C 7/006; A01C 7/046; A01C 7/04; A01C 7/044; A01C 11/006
See application file for complete search history.

- 3,156,201 A * 11/1964 Tweedale A01C 7/044 111/179
- 3,698,332 A * 10/1972 McCallum A01C 7/044 111/179
- 3,848,552 A * 11/1974 Bauman A01C 7/044 111/137
- 4,141,302 A * 2/1979 Morrison, Jr. A01C 5/06 111/140
- 4,430,952 A * 2/1984 Murray A01C 5/064 111/137
- D559,868 S * 1/2008 Nanlawala D15/10
- D598,936 S * 8/2009 Hall D15/11
- D627,373 S * 11/2010 Prickel D15/10
- D629,426 S * 12/2010 Prickel D15/10
- D629,427 S * 12/2010 Prickel D15/10
- D631,068 S * 1/2011 Prickel D15/10
- 8,336,471 B2 * 12/2012 Gilstring A01C 7/046 111/185

* cited by examiner

Primary Examiner — Mark Goodwin

(74) *Attorney, Agent, or Firm* — Rebecca L. Henkel

(57) **CLAIM**

The ornamental design for the granular chemical row unit, as shown and described.

DESCRIPTION

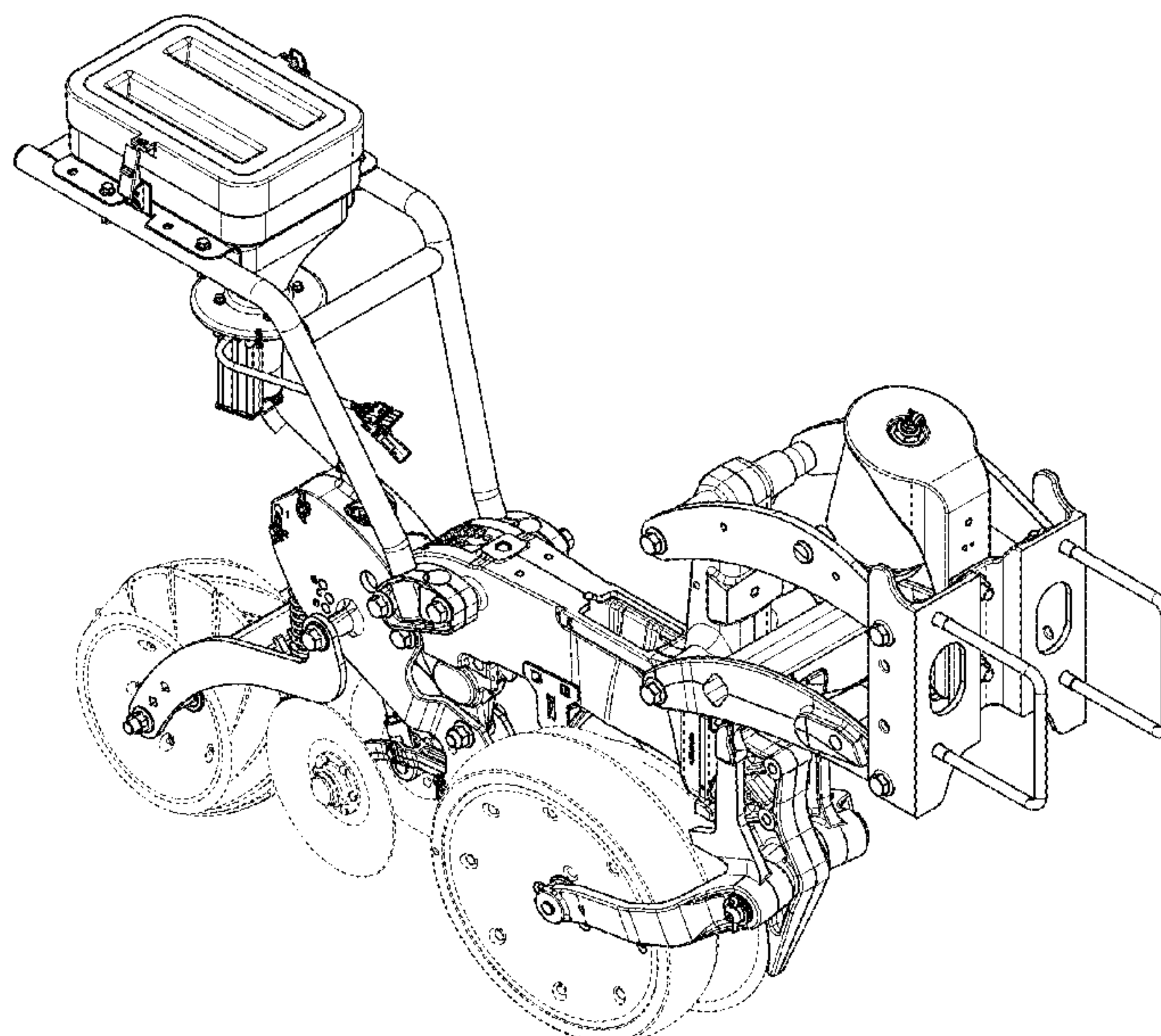
FIG. 1 is a perspective view of the granular chemical row unit showing our new design, the portion in phantom lines in the figures forming no part of the claimed invention;
 FIG. 2 is a side view thereof;
 FIG. 3 is an opposite side view thereof;
 FIG. 4 is a top view thereof;
 FIG. 5 is a bottom view thereof;
 FIG. 6 is front view thereof; and,
 FIG. 7 is a rear view thereof.

1 Claim, 6 Drawing Sheets

(56) **References Cited**

U.S. PATENT DOCUMENTS

- 2,986,305 A * 5/1961 Koerper A01C 7/044 111/179
- 3,100,462 A * 8/1963 Steele A01C 7/044 111/135
- 3,142,274 A * 7/1964 Winter A01C 7/044 111/179



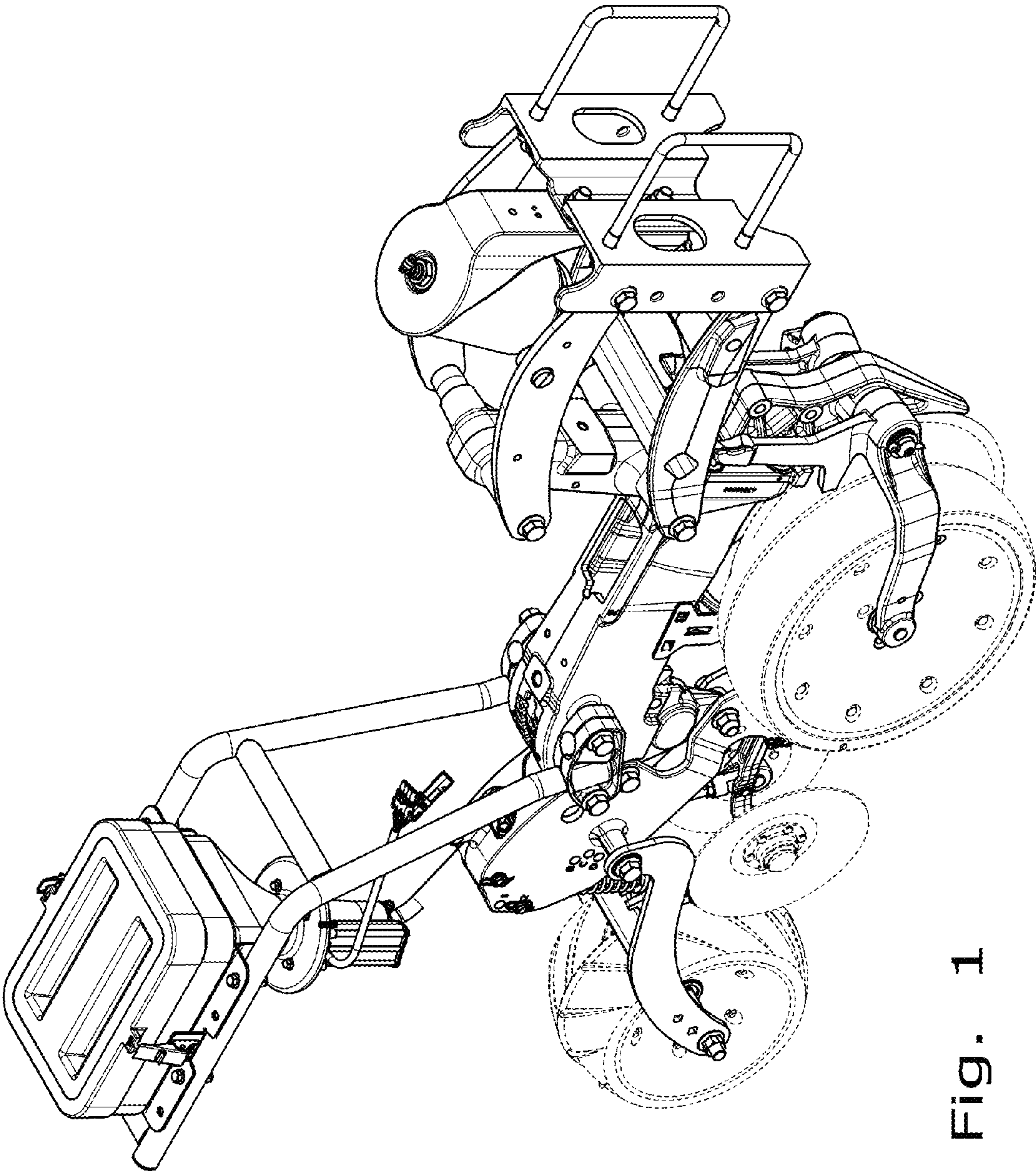


Fig. 1

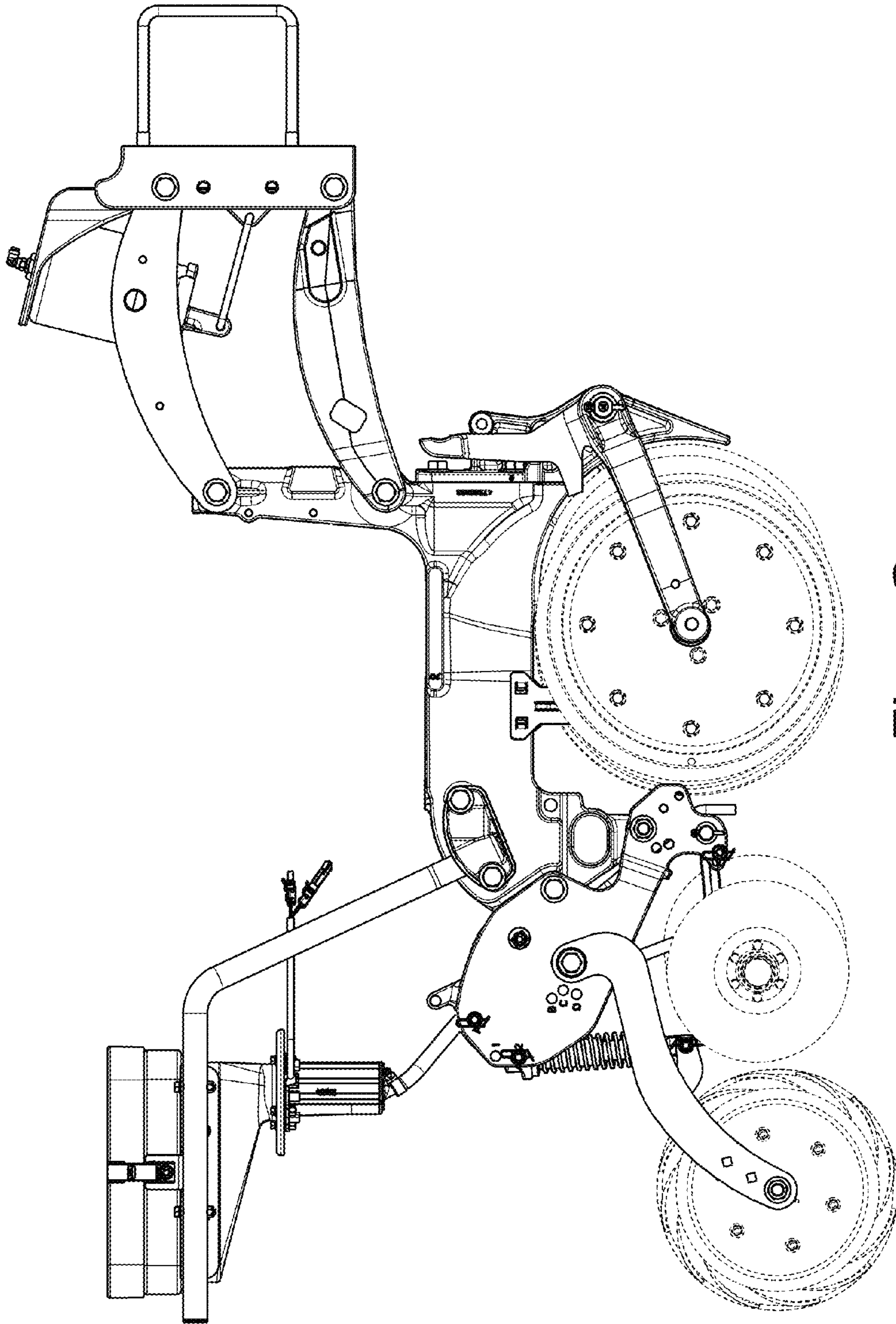


Fig. 2

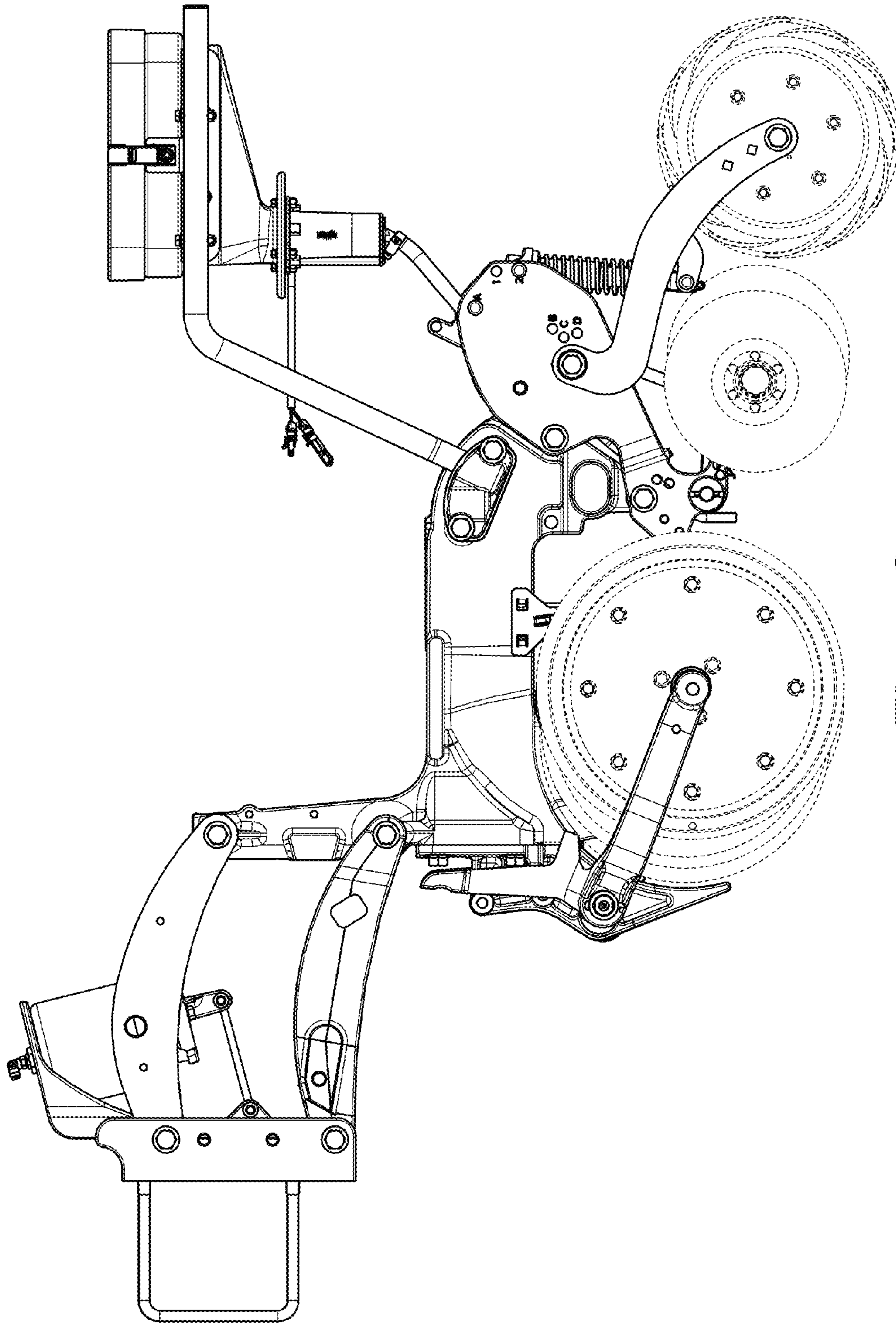


Fig. 3

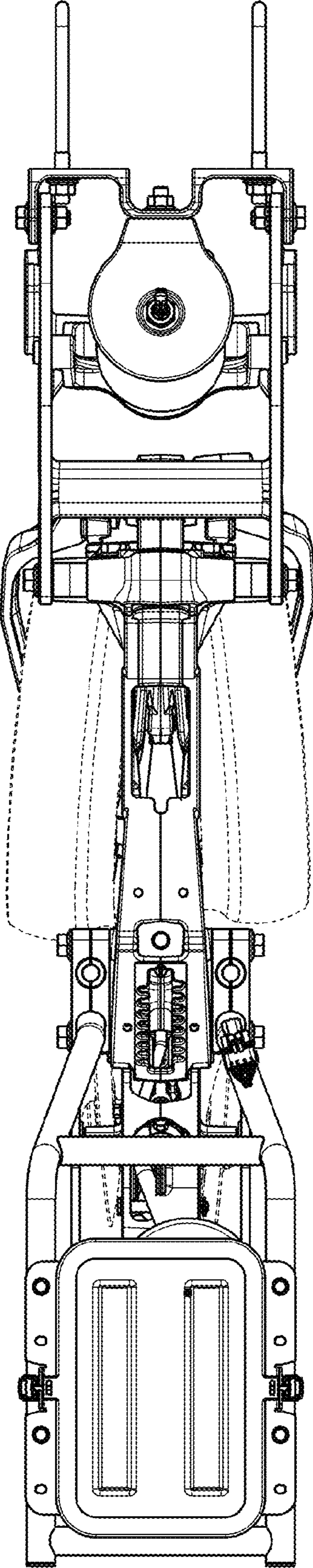


Fig. 4

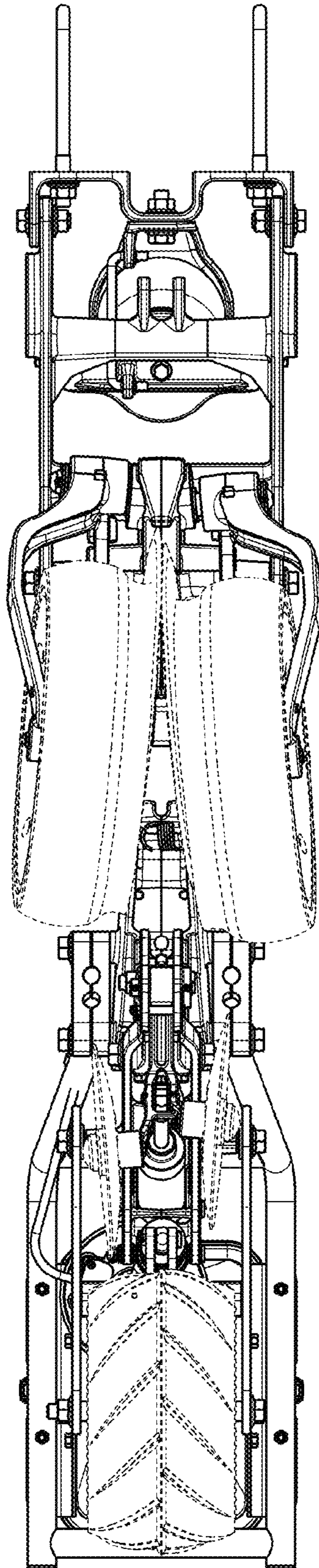


Fig. 5

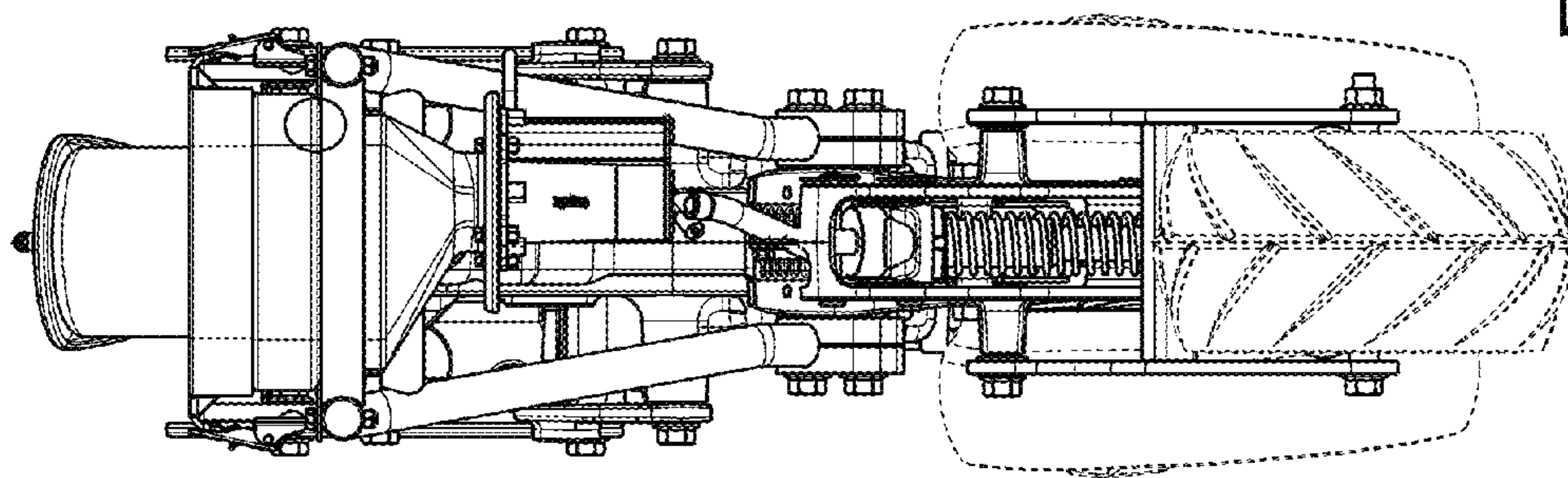


Fig. 7

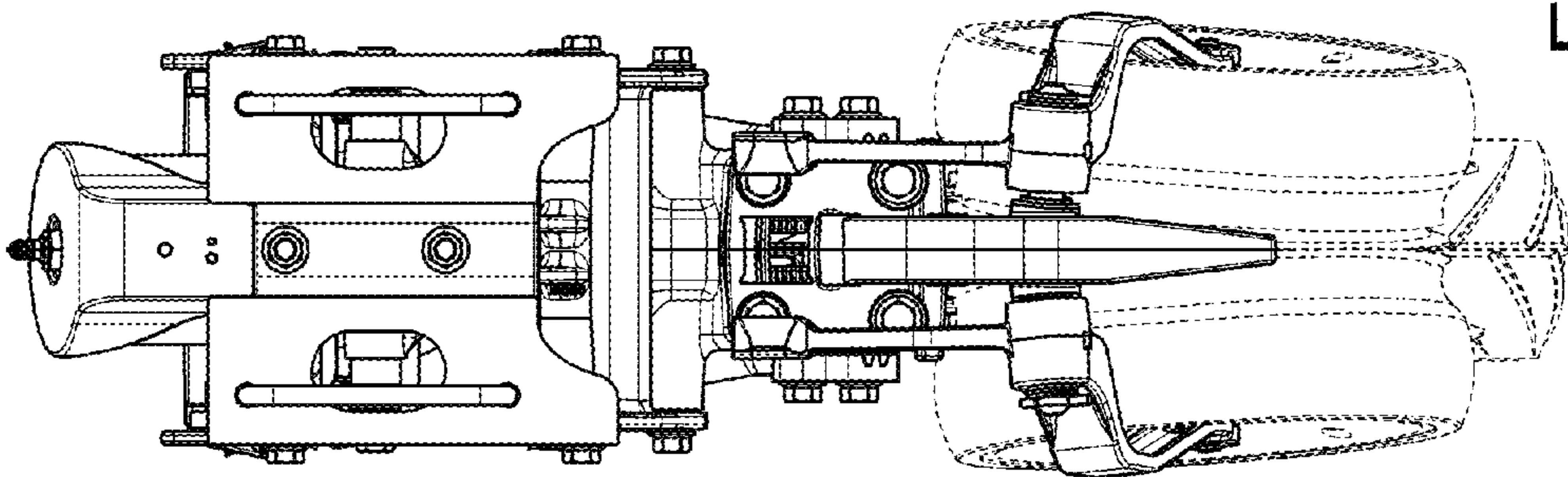


Fig. 6