



US00D759727S

(12) **United States Design Patent**
Jiang et al.

(10) **Patent No.:** **US D759,727 S**
(45) **Date of Patent:** **** Jun. 21, 2016**

(54) **ELECTRIC HIGH PRESSURE
DECOMPRESSOR**

D683,768 S * 6/2013 McCaughey D15/9
D705,818 S * 5/2014 Chen D15/7
D708,648 S * 7/2014 Orsini D15/7

(71) Applicant: **MICRON VIEW LIMITED**, London
(GB)

* cited by examiner

(72) Inventors: **Jianping Jiang**, London (GB); **Yawei
Liu**, London (GB)

Primary Examiner — Ralf Seifert

(74) *Attorney, Agent, or Firm* — George G. Wang; Bei &
Ocean

(73) Assignee: **MICRON VIEW LIMITED**, London
(GB)

(57) **CLAIM**

The ornamental design for an electric high pressure decom-
pressor, as shown and described.

(**) Term: **15 Years**

(21) Appl. No.: **29/529,440**

(22) Filed: **Jun. 8, 2015**

DESCRIPTION

(51) **LOC (10) Cl.** **15-02**

(52) **U.S. Cl.**
USPC **D15/9**

(58) **Field of Classification Search**
USPC D15/7-9; D23/231, 232, 225; 417/60,
417/235, 265, 321, 355, 358, 363, 359,
417/410.1, 415-416, 405, 900; 60/408,
60/412; 137/343, 565.34; 184/26-37;
415/140-147; 123/495, 509
CPC F02M 37/04; F02M 37/14
See application file for complete search history.

FIG. 1 is a front view of the electric high pressure decom-
pressor;
FIG. 2 is a bottom view of the electric high pressure decom-
pressor;
FIG. 3 is a top view of the electric high pressure decompres-
sor;
FIG. 4 is a right side view of the electric high pressure decom-
pressor;
FIG. 5 is a left side view of the electric high pressure decom-
pressor;
FIG. 6 is a back view of the electric high pressure decompres-
sor;
FIG. 7 is a perspective view of the electric high pressure
decompressor; and,
FIG. 8 is another perspective view of the electric high pres-
sure decompressor.

The broken lines are included in FIG. 4 for the purposes of
illustrating portions of the electric high pressure decompres-
sor that form no part of the claimed design.

(56) **References Cited**

U.S. PATENT DOCUMENTS

D333,664 S * 3/1993 Carroll D15/7
D376,370 S * 12/1996 Davis D15/7
D404,400 S * 1/1999 Wang D15/7
D618,705 S * 6/2010 Sadachika D15/7
D633,925 S * 3/2011 Sadachika D15/7
D682,318 S * 5/2013 Goh D15/9

1 Claim, 8 Drawing Sheets

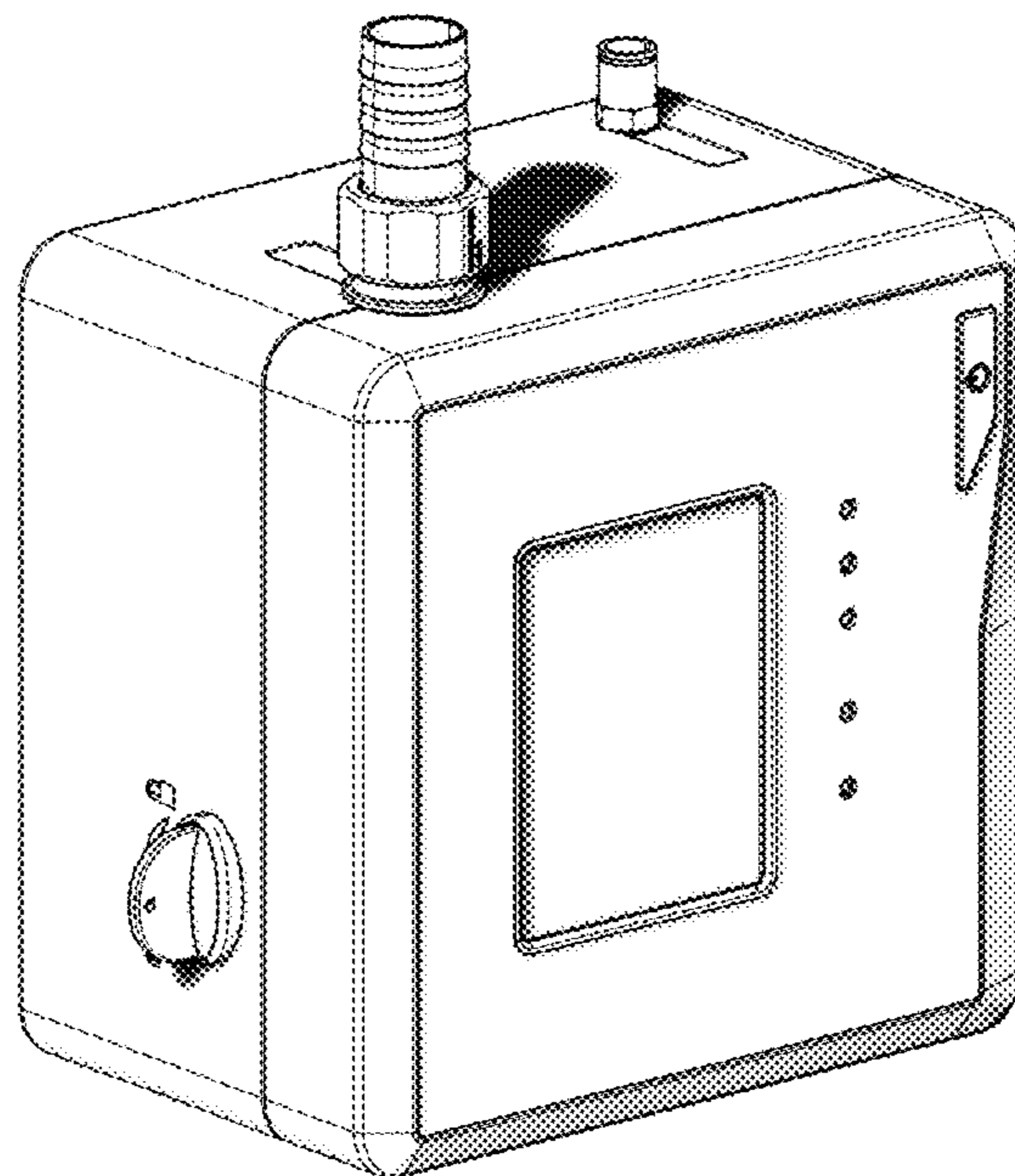


FIG.1

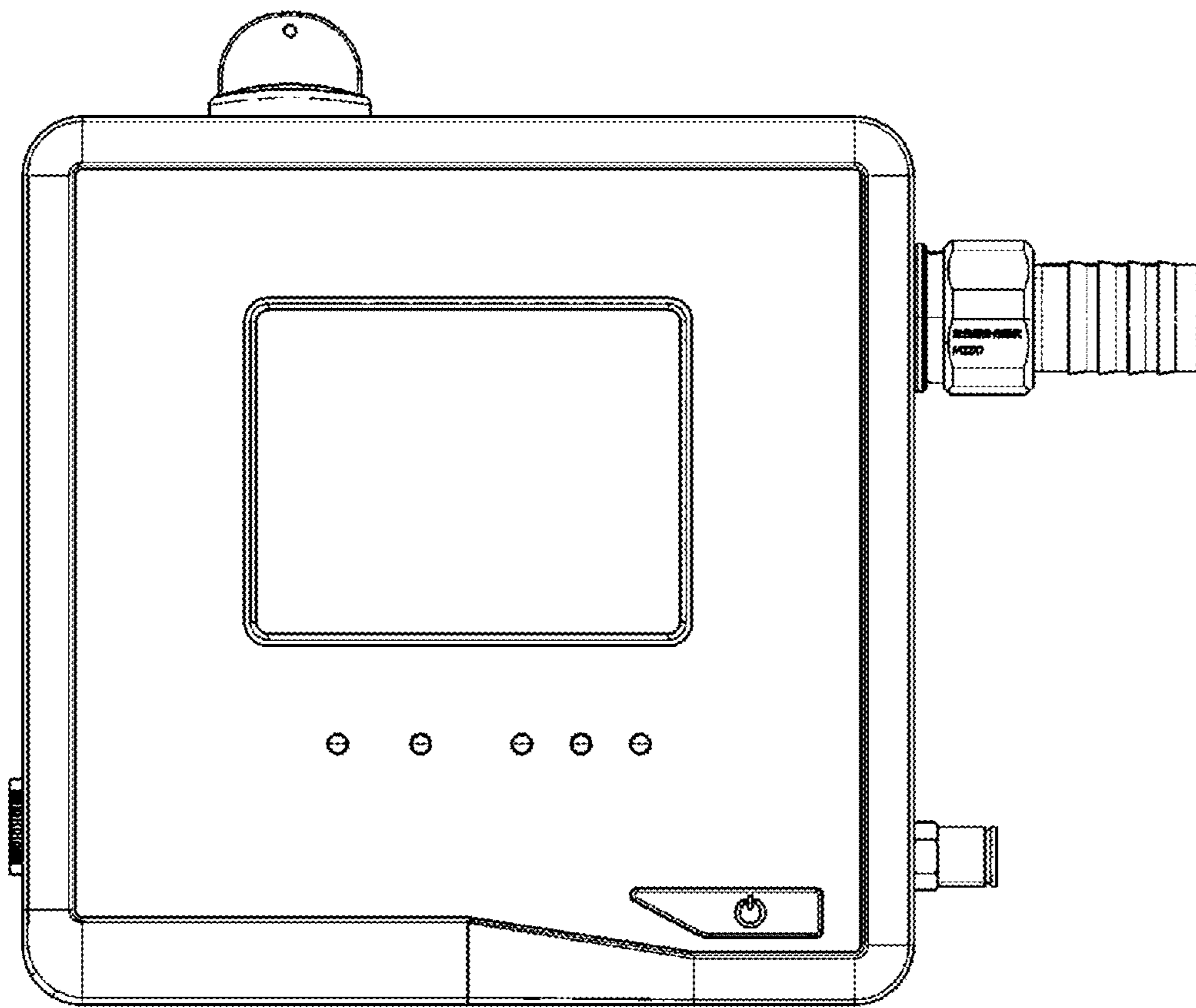


FIG.2

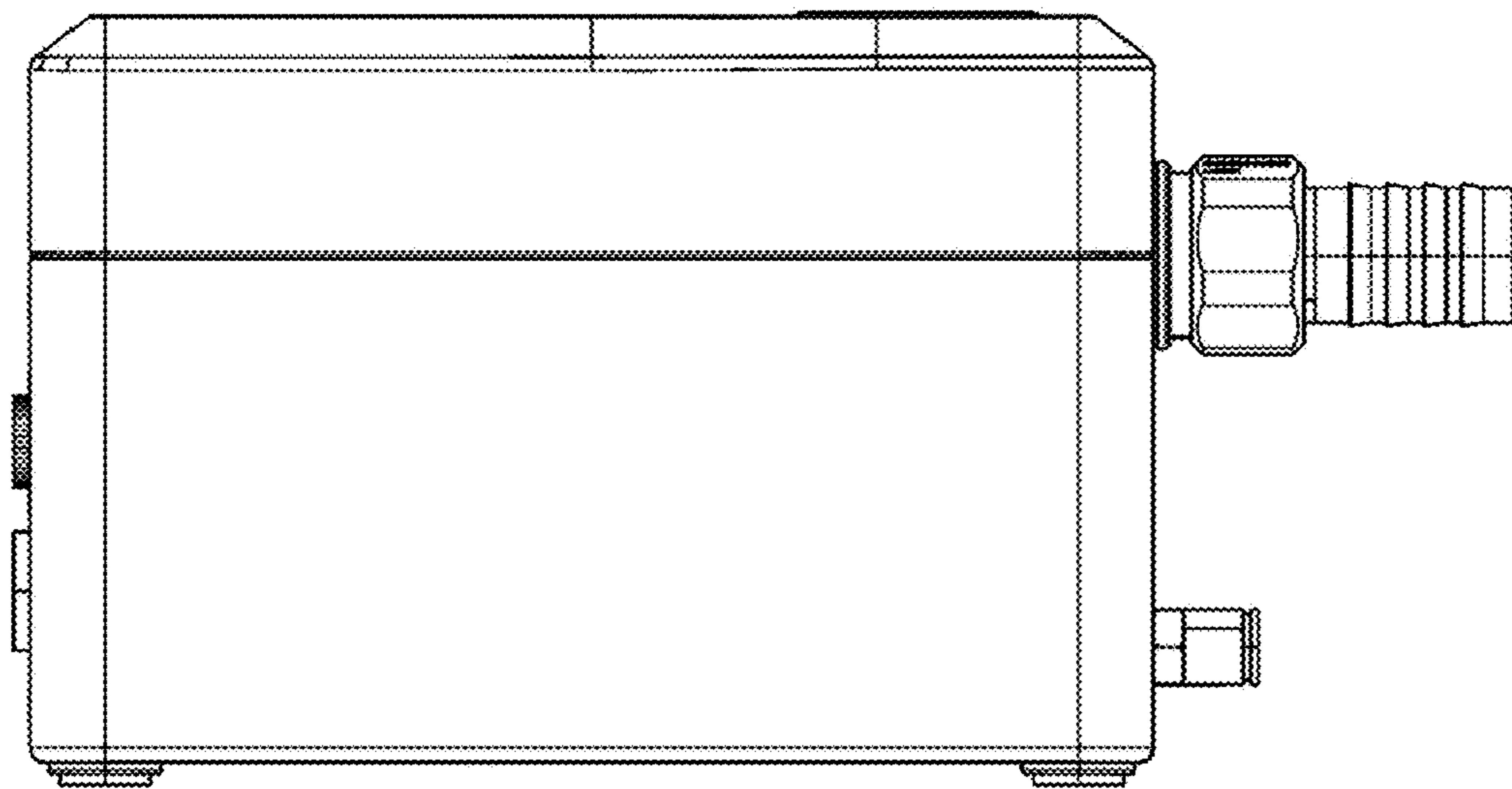


FIG.3

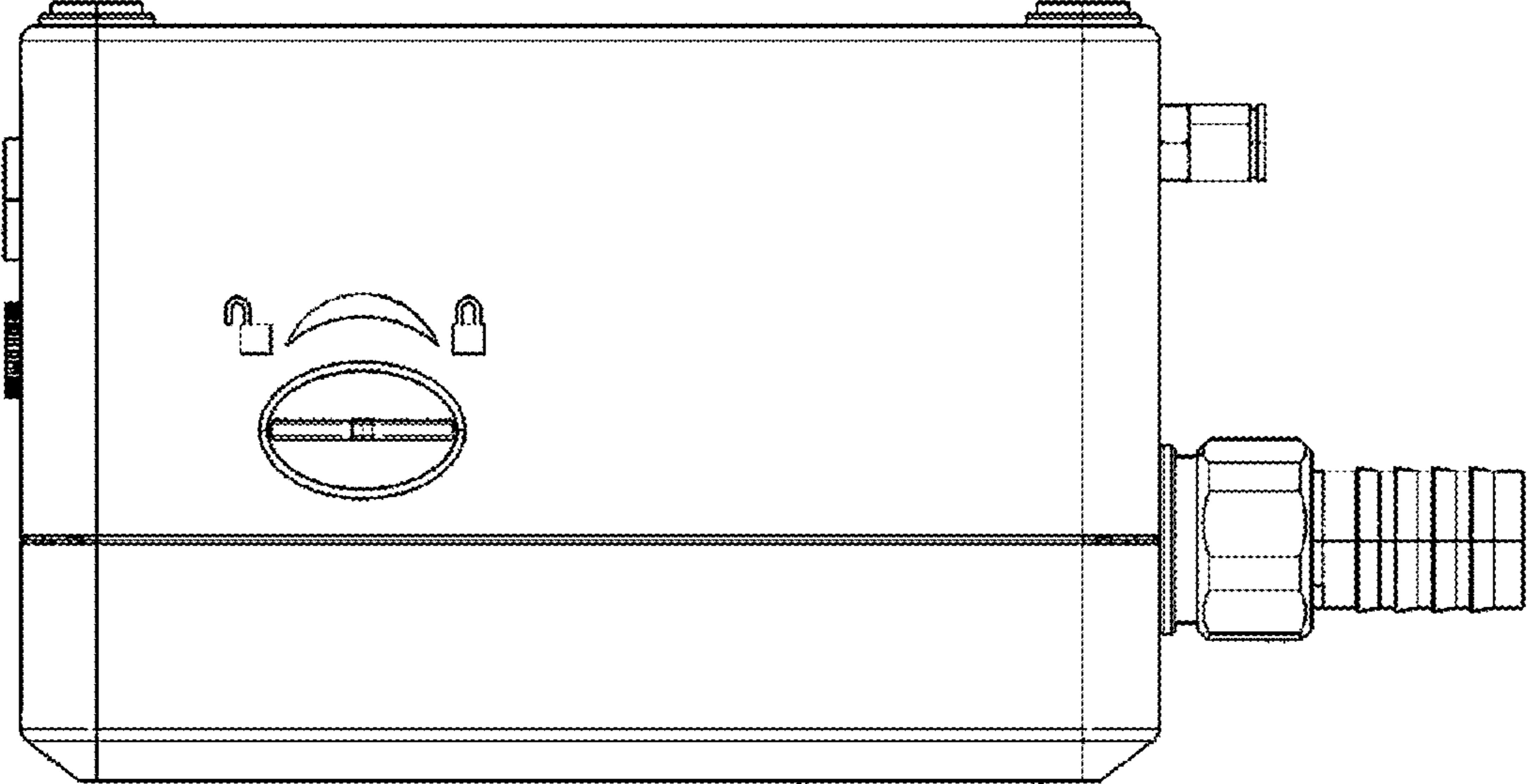


FIG.4

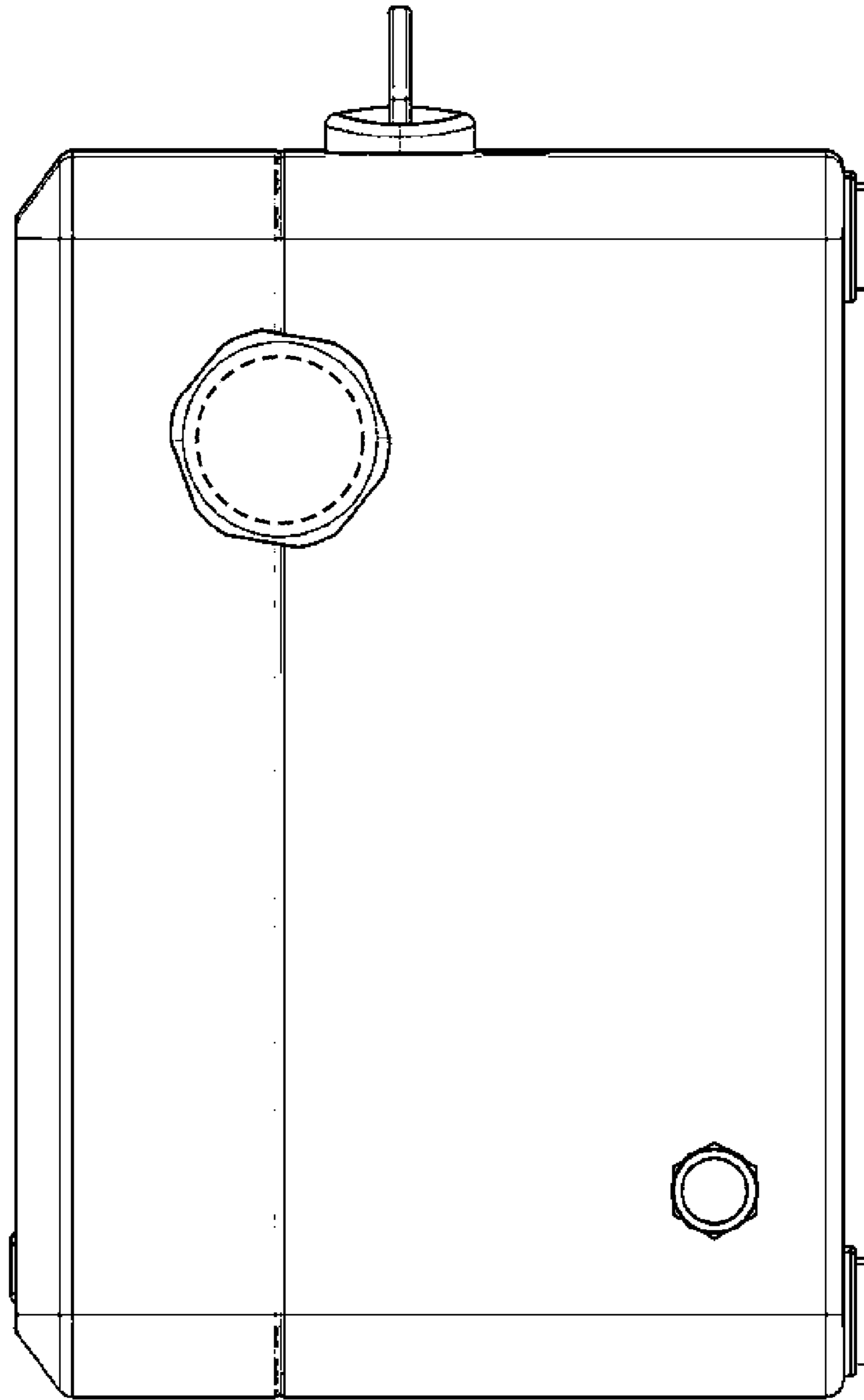


FIG.5

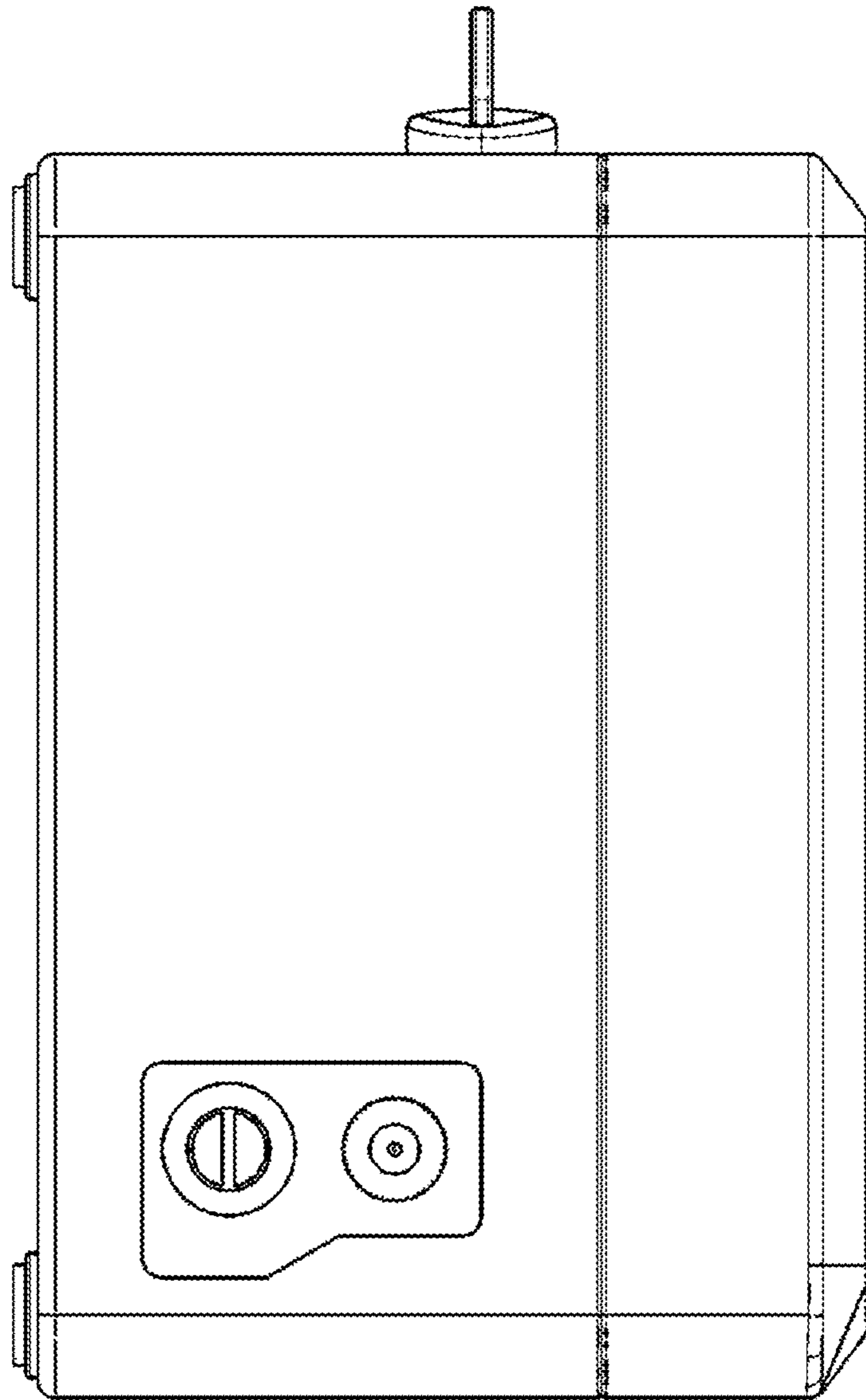


FIG.6

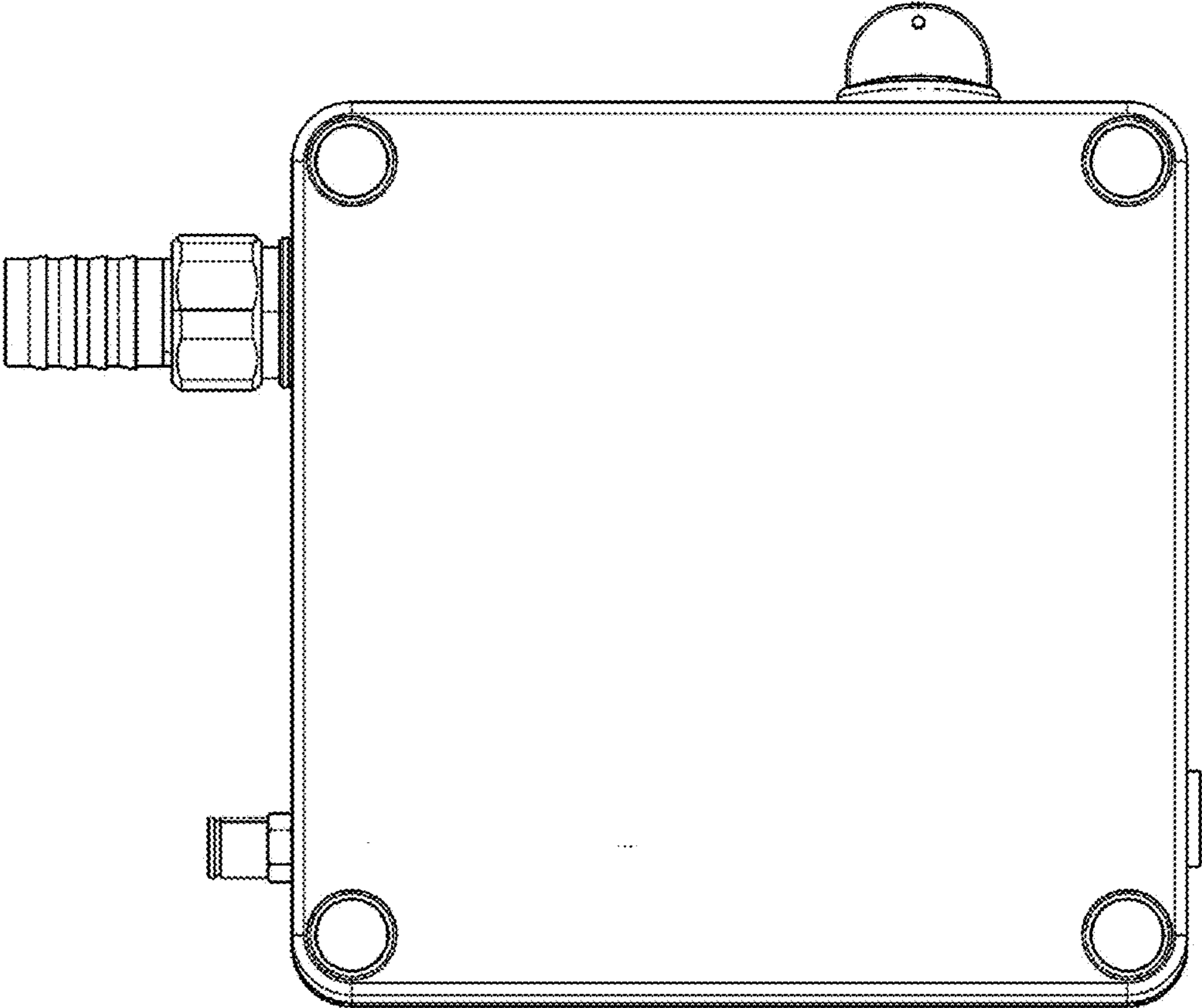


FIG.7

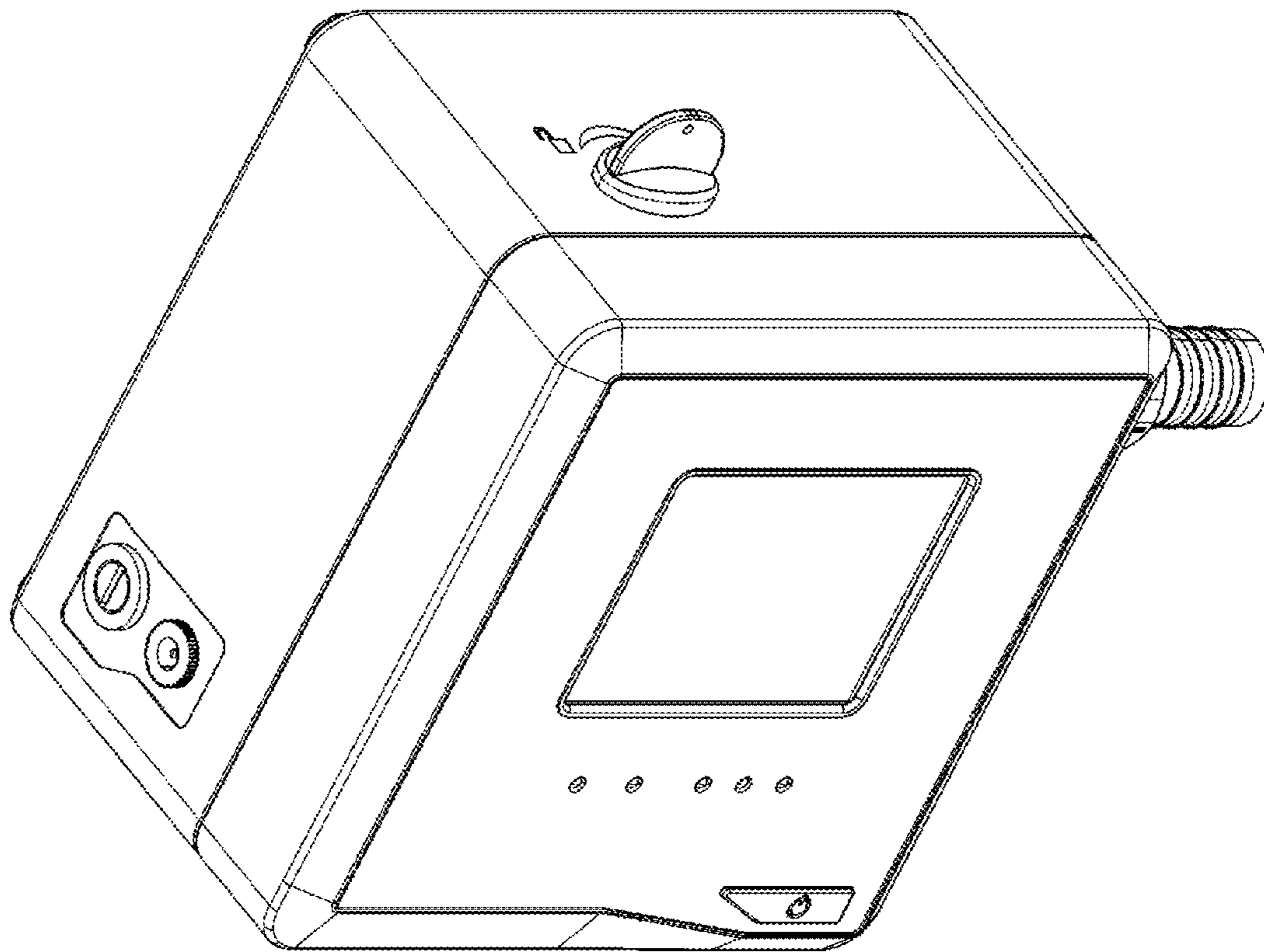


FIG.8

