



US00D759726S

(12) **United States Design Patent**
Takao et al.

(10) **Patent No.:** **US D759,726 S**
(45) **Date of Patent:** **** Jun. 21, 2016**

(54) **MARINE ENGINE**

(71) Applicant: **Yanmar Co., Ltd.**, Osaka-shi, Osaka (JP)

(72) Inventors: **Nakanishi Takao**, Osaka (JP); **Maetani Kazuki**, Osaka (JP)

(73) Assignee: **Yanmar Co., Ltd.**, Osaka (JP)

(**) Term: **14 Years**

(21) Appl. No.: **29/494,392**

(22) Filed: **Jun. 19, 2014**

(30) **Foreign Application Priority Data**

Dec. 20, 2013 (JP) 2013-030029

(51) **LOC (10) Cl.** **15-01**

(52) **U.S. Cl.**
USPC **D15/4; D15/1**

(58) **Field of Classification Search**
USPC D15/1-6, 149; 123/195 P; 440/3, 4, 440/88 R, 52, 84; D12/317, 181
See application file for complete search history.

(56) **References Cited**

U.S. PATENT DOCUMENTS

5,931,131 A * 8/1999 Hackett 123/90.38
6,746,288 B2 * 6/2004 Gokan 440/88 F

D494,191 S * 8/2004 Aketa et al. D15/1
7,654,876 B1 * 2/2010 Jones et al. 440/88 A
D710,388 S * 8/2014 Okuyama et al. D15/4
2001/0042532 A1 * 11/2001 Aichinger et al. 123/192.1
2003/0003823 A1 * 1/2003 Mashiko 440/88

* cited by examiner

Primary Examiner — T. Chase Nelson

Assistant Examiner — Ania Aman

(74) *Attorney, Agent, or Firm* — Sterne, Kessler, Goldstein & Fox P.L.L.C.

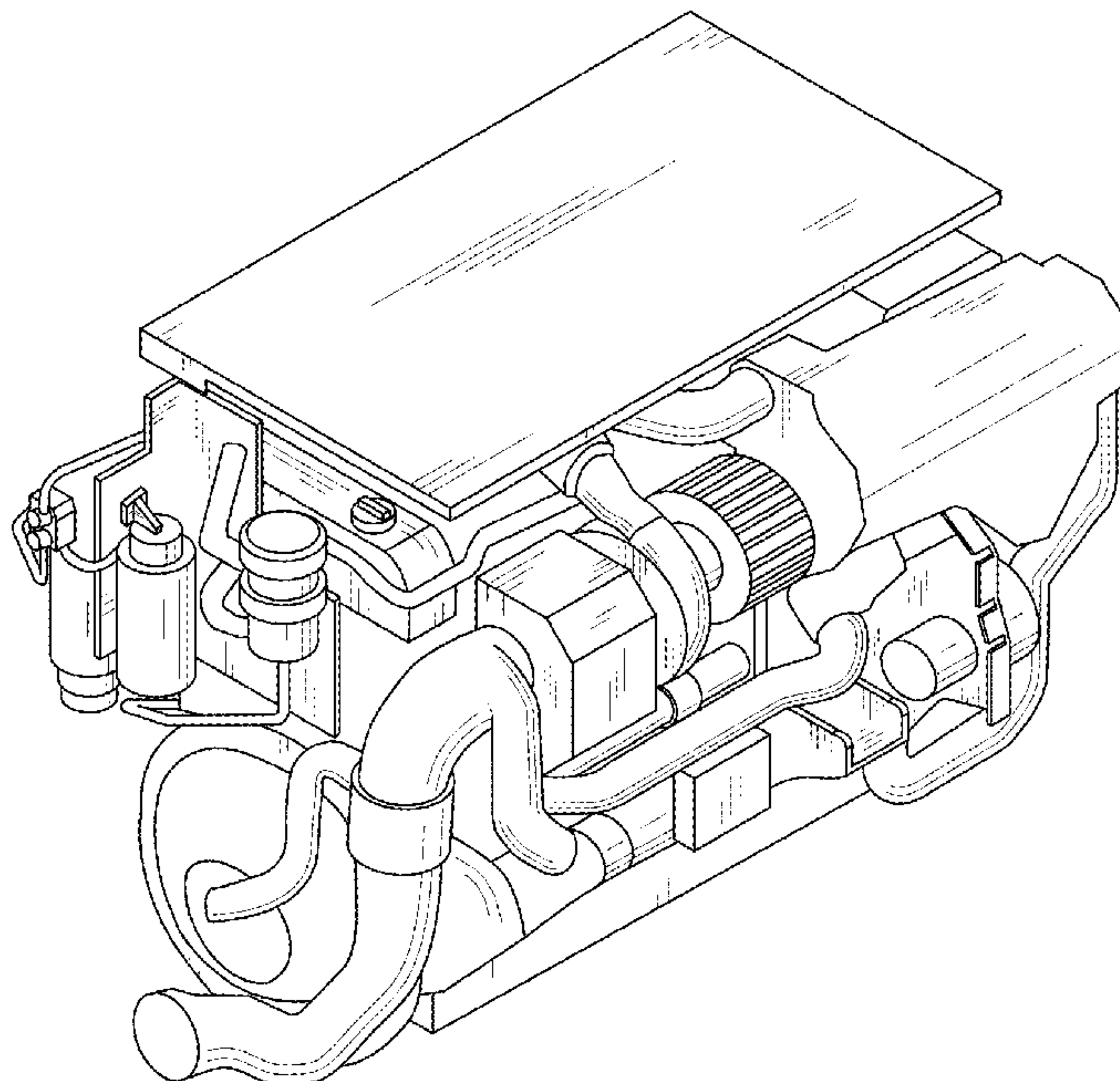
(57) **CLAIM**

The ornamental design for a marine engine, as shown and described.

DESCRIPTION

FIG. 1 is a front perspective view of a marine engine showing our new design;
FIG. 2 is a rear perspective view thereof;
FIG. 3 is a front view thereof;
FIG. 4 is a top plan view thereof;
FIG. 5 is a right side view thereof;
FIG. 6 is a left side view thereof; and,
FIG. 7 is a rear view thereof.
The broken lines in the figures show portions of the marine engine that form no part of the claimed design.

1 Claim, 5 Drawing Sheets



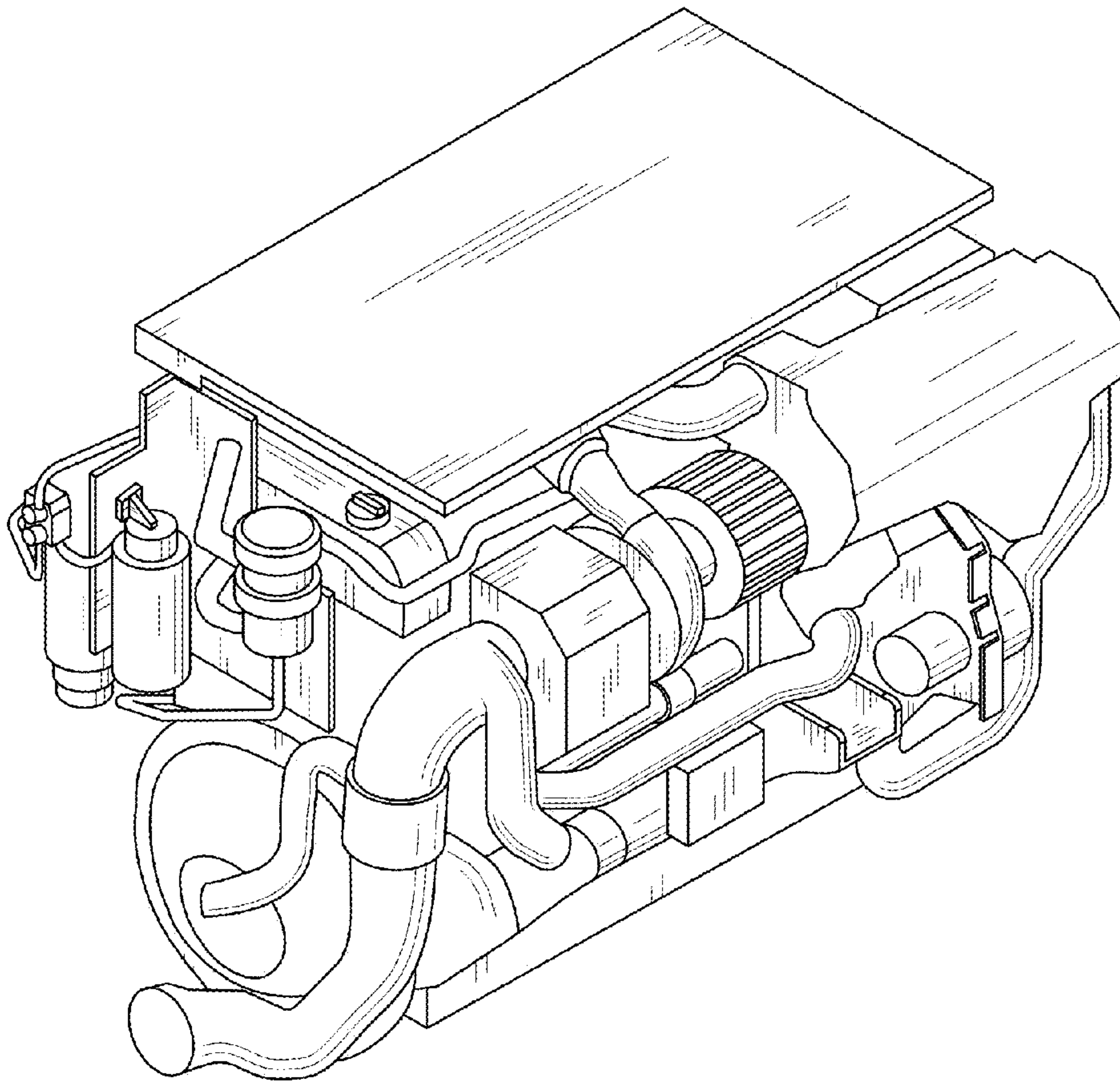


FIG. 1

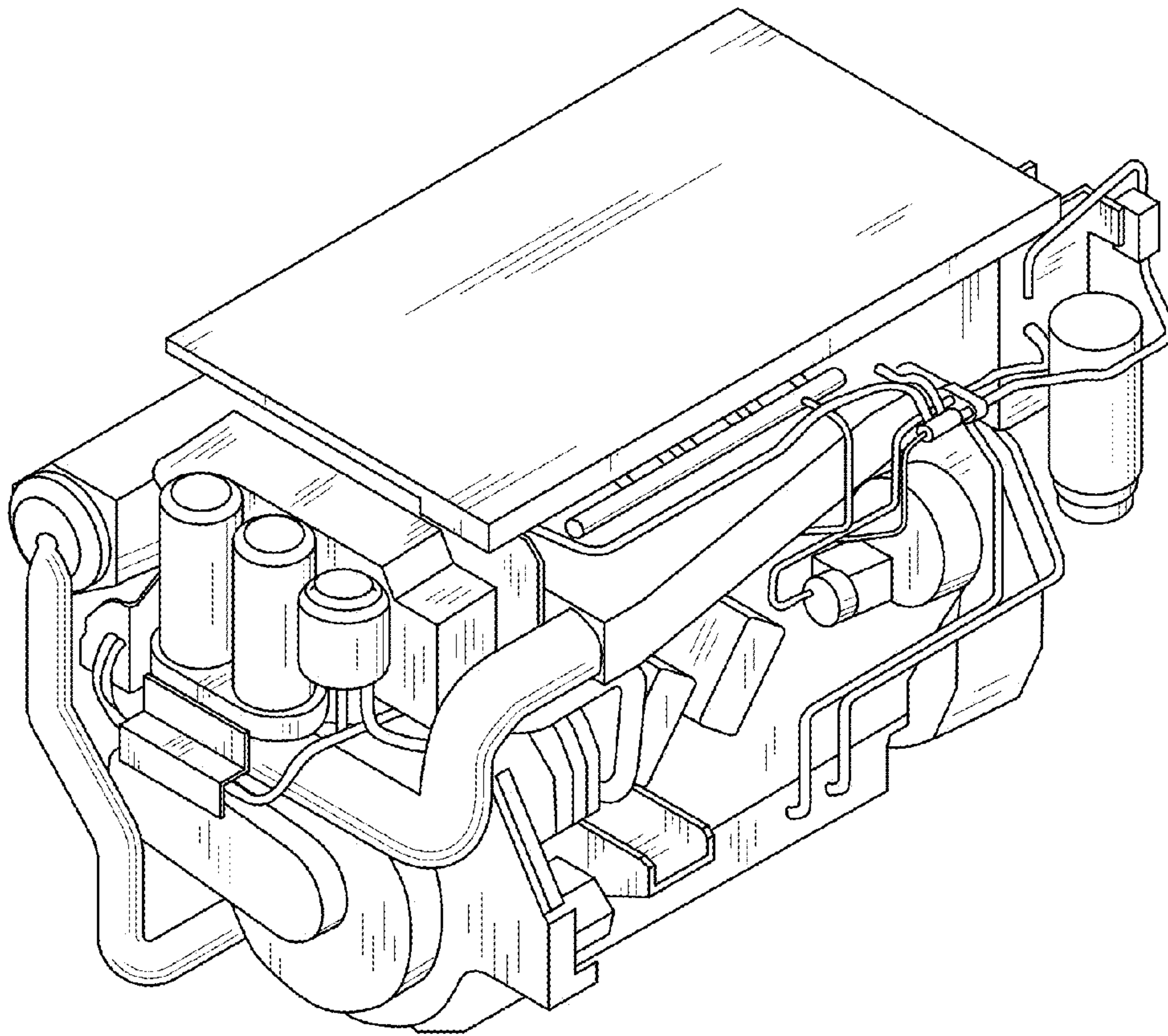


FIG. 2

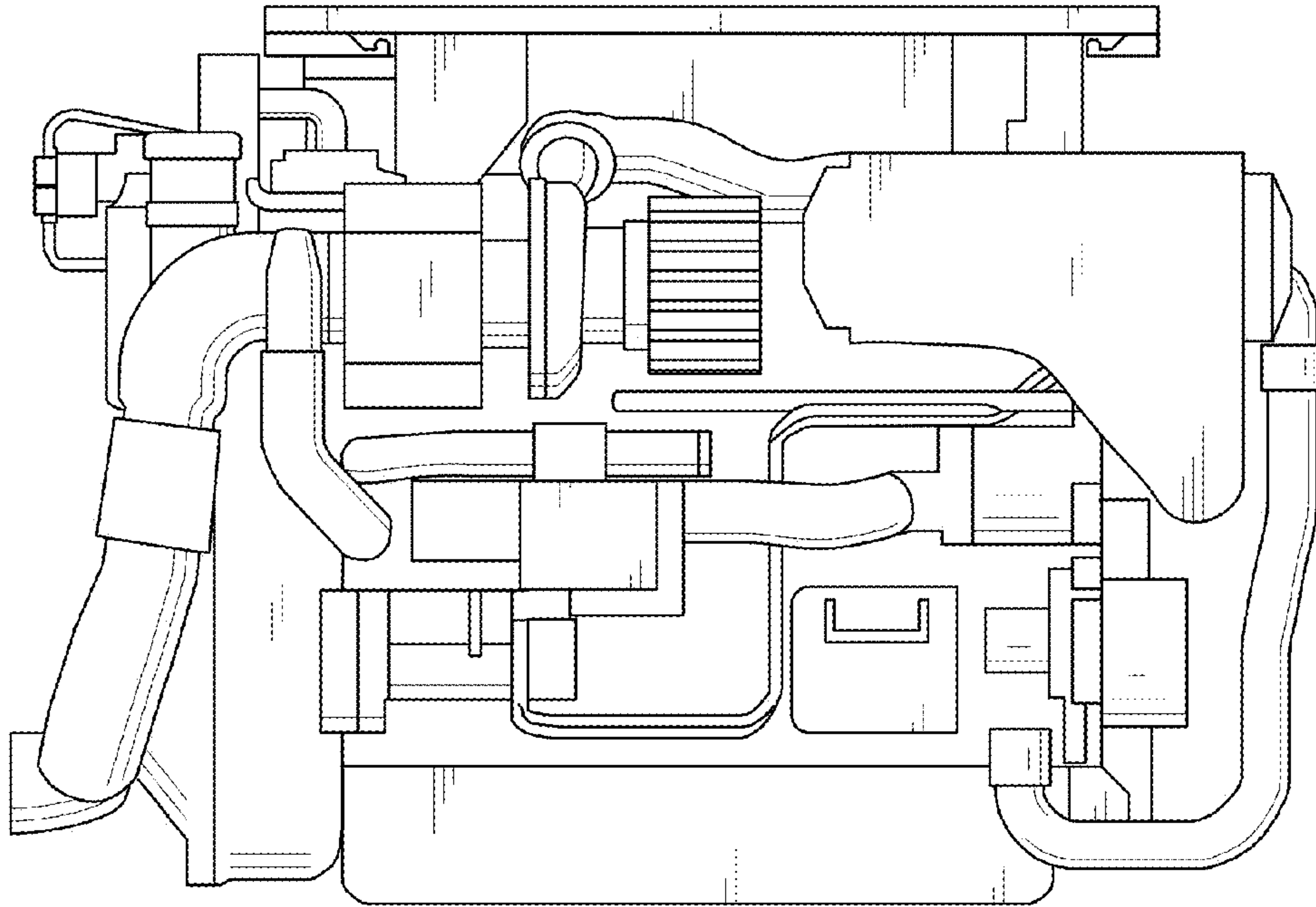


FIG. 3

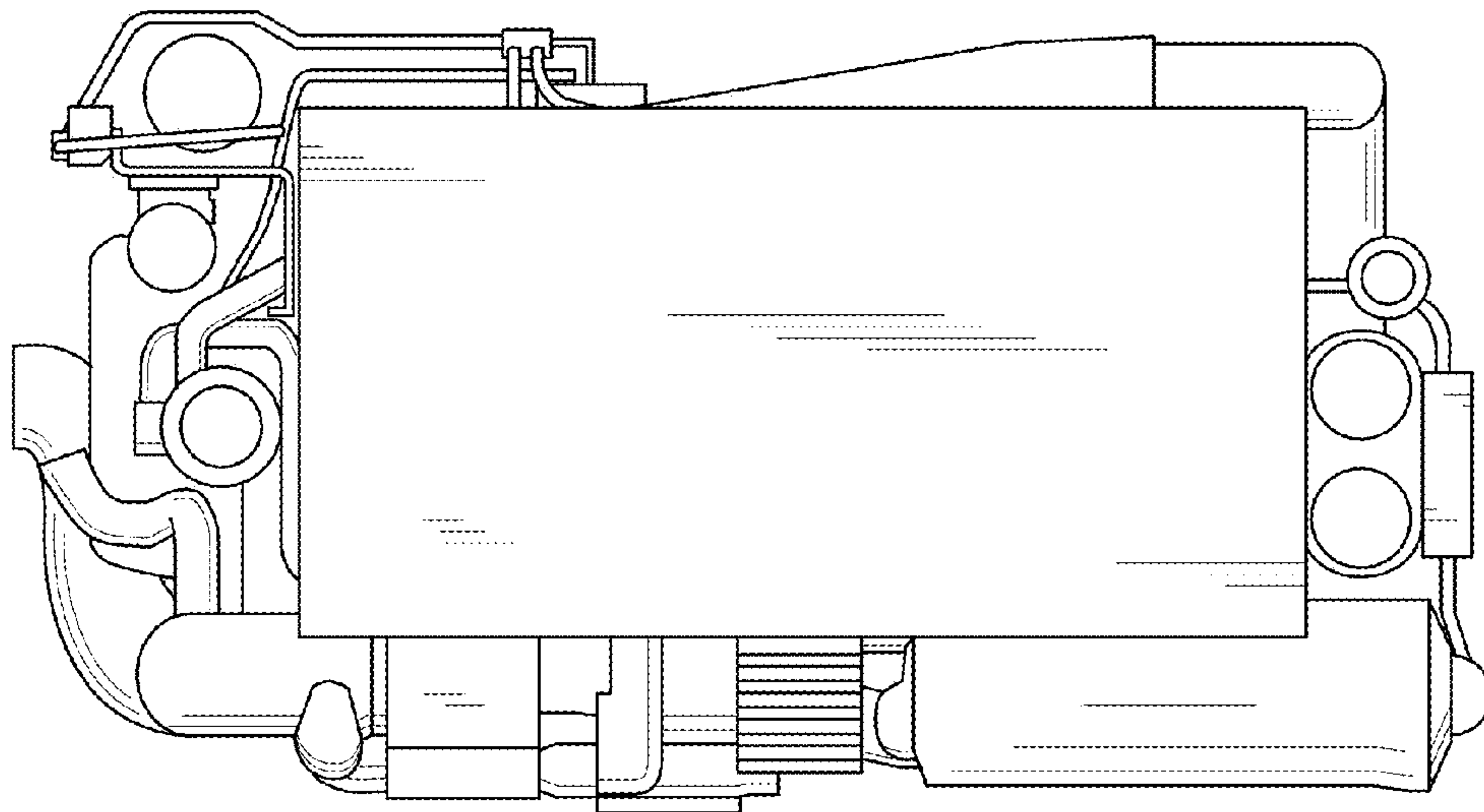


FIG. 4

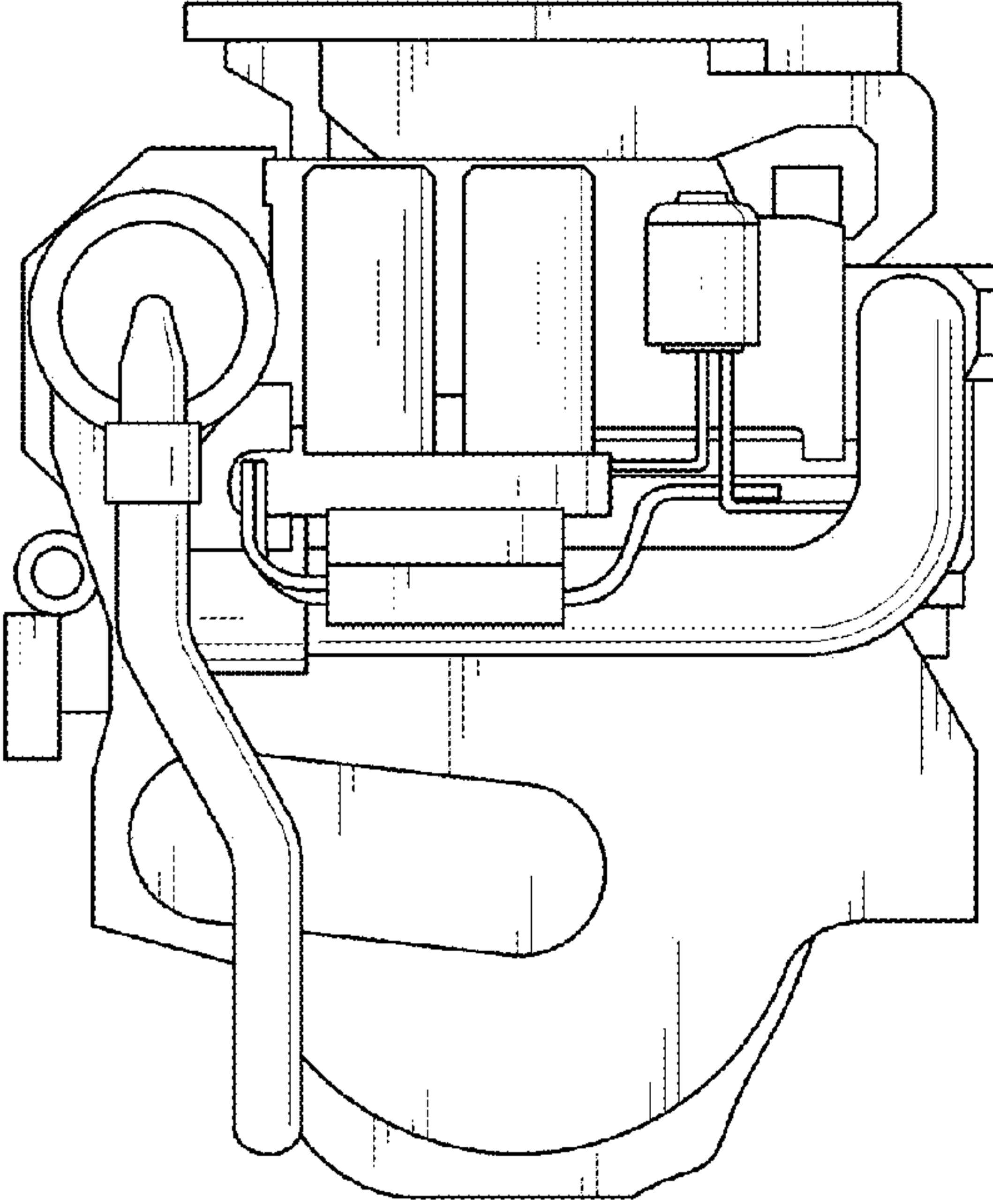


FIG. 5

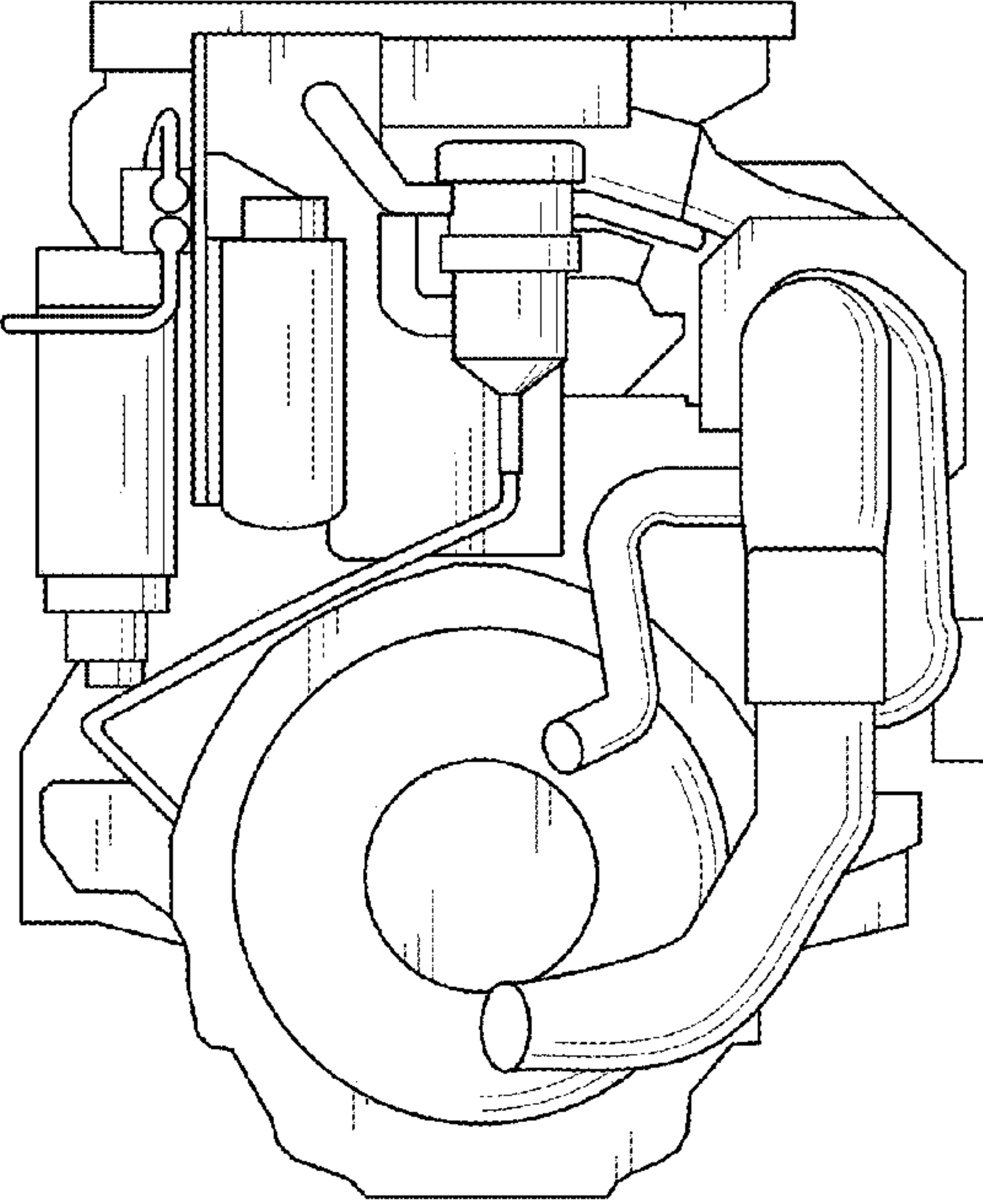


FIG. 6

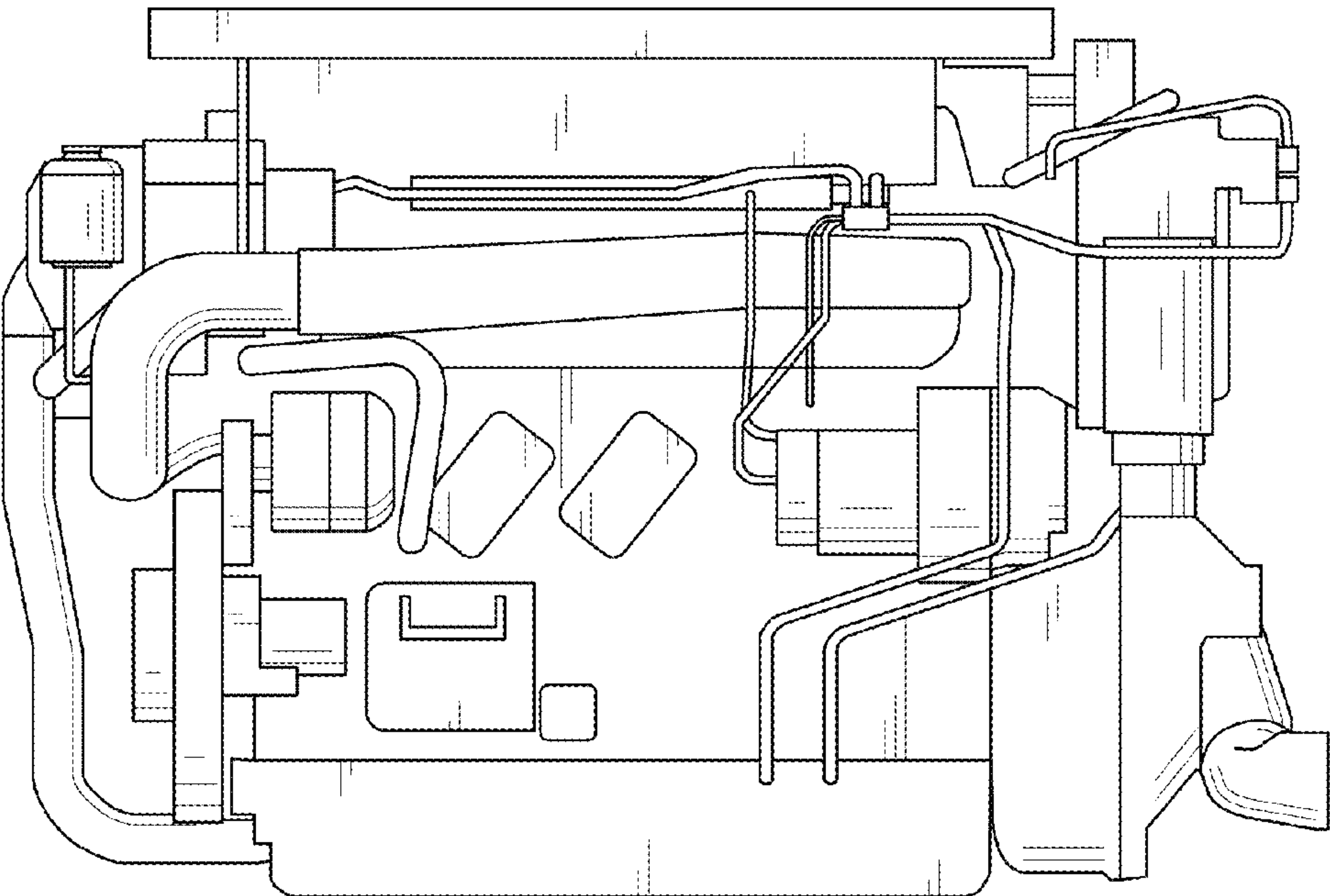


FIG. 7