



US00D759713S

(12) **United States Design Patent**  
**Ogg et al.**

(10) **Patent No.:** **US D759,713 S**  
(45) **Date of Patent:** **\*\* Jun. 21, 2016**

(54) **REFRIGERATOR WITH GRAPHICAL USER INTERFACE**

(71) Applicant: **LG Electronics Inc.**, Seoul (KR)

(72) Inventors: **Anthony Ogg**, Fort Lee, NJ (US);  
**Jaesang Lee**, Ridgefield, NJ (US)

(73) Assignee: **LG Electronics Inc.**, Seoul (KR)

(\*\*) Term: **14 Years**

(21) Appl. No.: **29/500,904**

(22) Filed: **Aug. 29, 2014**

(51) **LOC (10) Cl.** ..... **14-04**

(52) **U.S. Cl.**  
USPC ..... **D14/489**

(58) **Field of Classification Search**  
USPC ..... D14/485-95; D18/24-33; D19/6, 52;  
D20/11; D21/324-33; 715/700-867,  
715/973-77  
CPC ..... G06F 3/048-3/04897; G06F 8/34  
See application file for complete search history.

(56) **References Cited**

**U.S. PATENT DOCUMENTS**

6,246,411	B1 *	6/2001	Strauss	.....	G06F 3/0486 715/769
D611,495	S *	3/2010	Choi	.....	D14/491
D623,194	S *	9/2010	Cook	.....	D14/488
D636,405	S *	4/2011	Mays	.....	D14/495
D707,713	S *	6/2014	d'Amore	.....	D14/492
D710,882	S *	8/2014	Francisco	.....	D14/489
D711,899	S *	8/2014	Hwang	.....	D14/486
D711,921	S *	8/2014	Penico	.....	D14/492

D712,920	S *	9/2014	Sloo	.....	D14/487
D716,340	S *	10/2014	Bresin	.....	D14/488
D717,325	S *	11/2014	Hwang	.....	D14/486
D718,322	S *	11/2014	Hwang	.....	D14/486
D718,323	S *	11/2014	Hwang	.....	D14/486
D748,654	S *	2/2016	Moon	.....	D14/486
D749,100	S *	2/2016	Moon	.....	D14/486
2010/0043466	A1 *	2/2010	Oh	.....	F25D 23/12 62/125
2011/0023524	A1 *	2/2011	Roo	.....	F25C 5/005 62/389
2013/0067375	A1 *	3/2013	Kim	.....	F25D 29/00 715/769

**OTHER PUBLICATIONS**

Trademark applications 77753491, 85872434.\*

\* cited by examiner

*Primary Examiner* — Melanie H Tung

(74) *Attorney, Agent, or Firm* — Morgan, Lewis & Bockius LLP

(57) **CLAIM**

The ornamental design for a refrigerator with graphical user interface, as shown and described.

**DESCRIPTION**

FIG. 1 is a front, left side, perspective view of a refrigerator with graphical user interface showing our new design; FIG. 2 is a front view thereof; and, FIG. 3 is an enlarged front view thereof, the graphical user interface is shown separately for clarity of illustration. The broken line showing of the refrigerator forms no part of the claimed design.

**1 Claim, 3 Drawing Sheets**

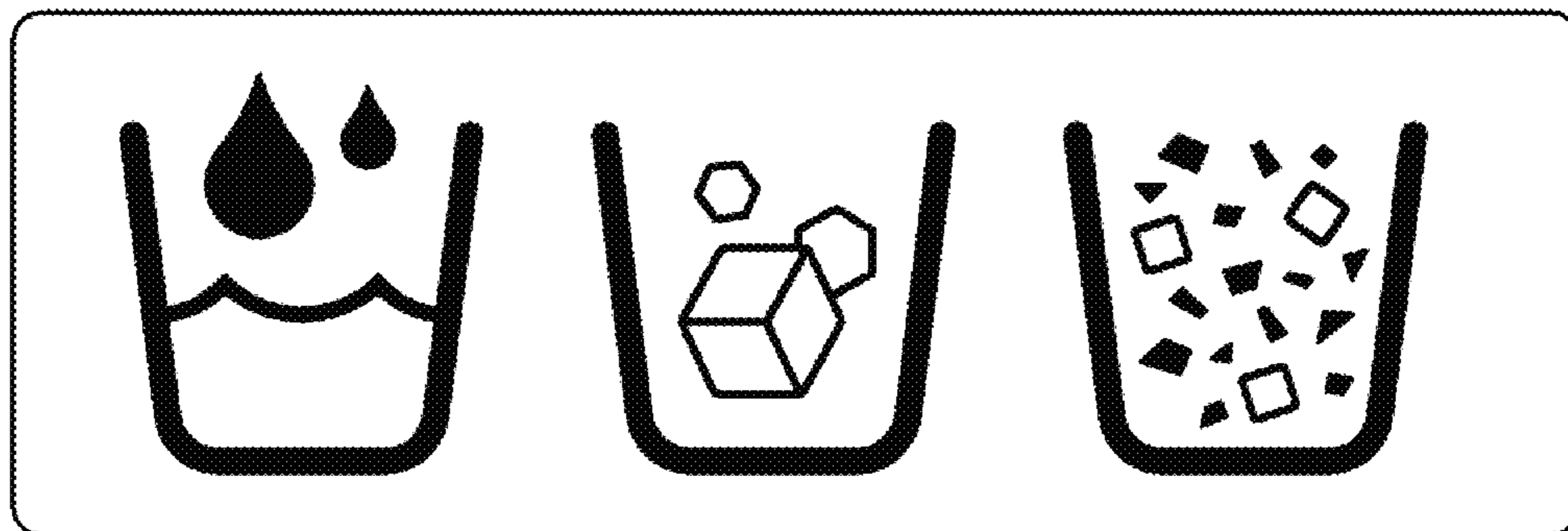


FIG. 1

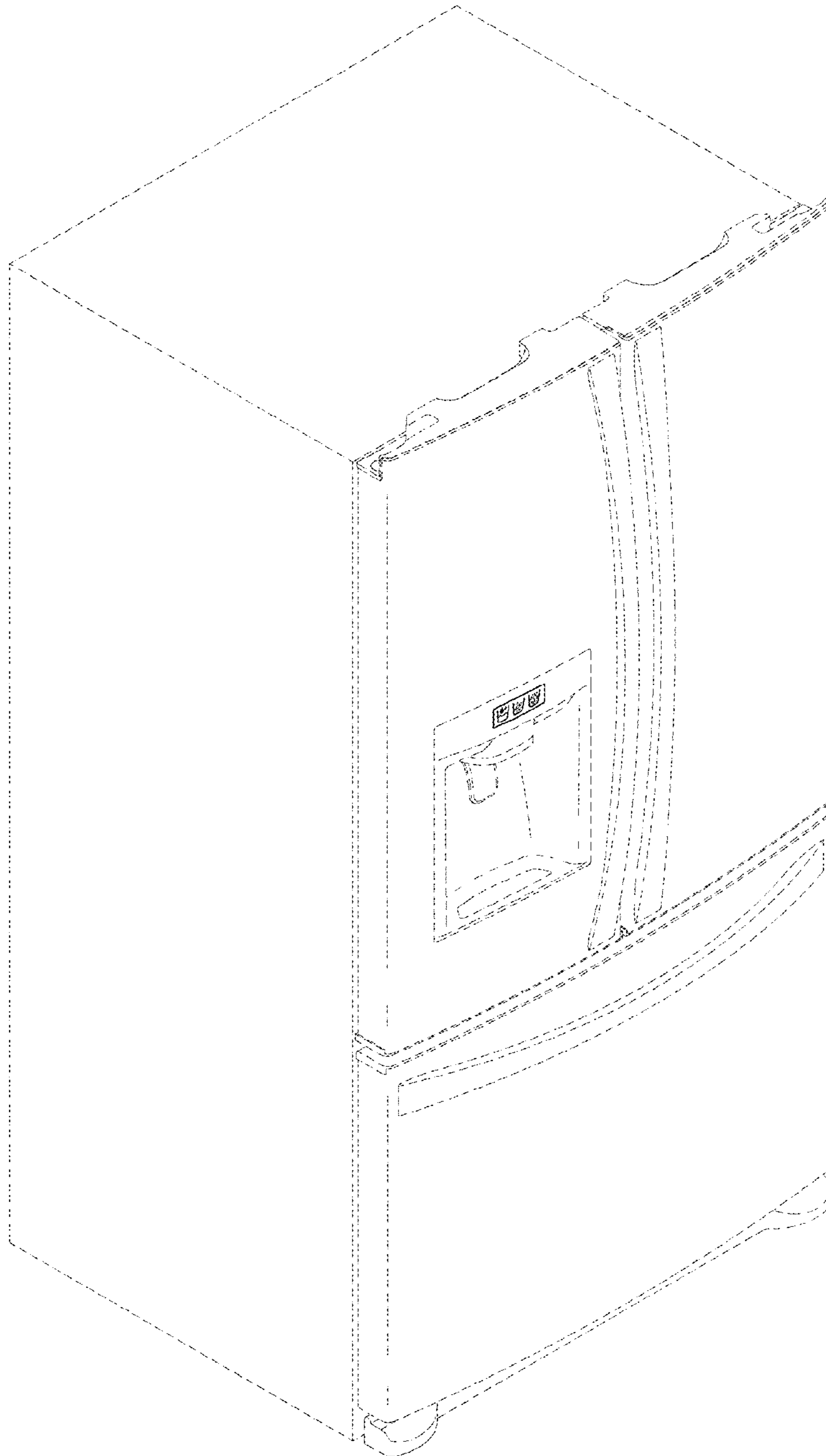


FIG. 2

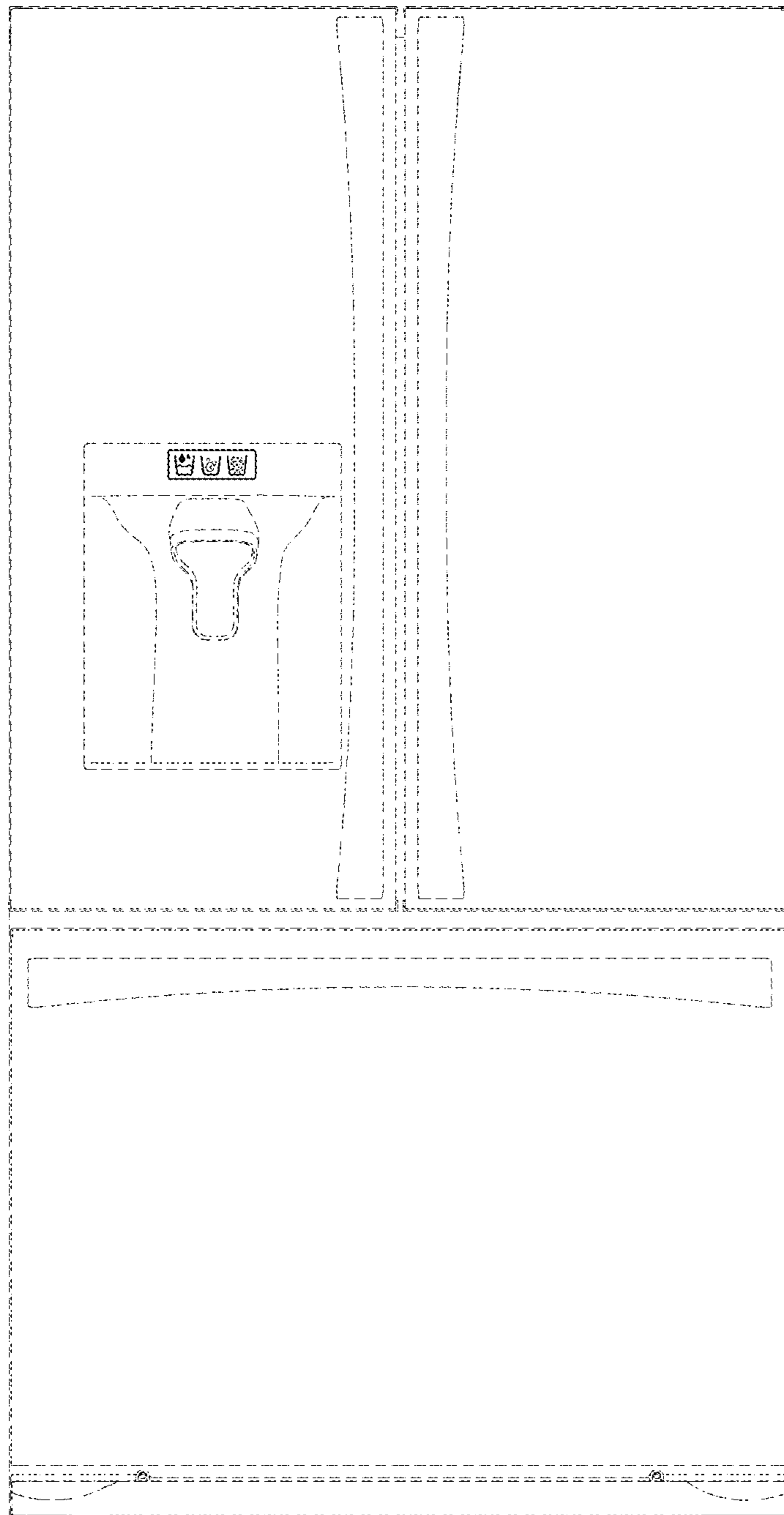


FIG. 3

