



US00D759705S

(12) **United States Design Patent**
Arroyo et al.

(10) **Patent No.:** **US D759,705 S**
(45) **Date of Patent:** **** Jun. 21, 2016**

(54) **DISPLAY PANEL WITH TRANSITIONAL GRAPHICAL USER INTERFACE**

(71) Applicant: **LG ELECTRONICS INC.**, Seoul (KR)

(72) Inventors: **Greg Arroyo**, Santa Clara, CA (US);
Rob Coburn, Santa Clara, CA (US);
Robert Gruettner, Santa Clara, CA (US)

(73) Assignee: **LG ELECTRONICS INC.**, Seoul (KR)

(**) Term: **14 Years**

(21) Appl. No.: **29/485,198**

(22) Filed: **Mar. 17, 2014**

(51) **LOC (10) Cl.** **14-04**

(52) **U.S. Cl.**
USPC **D14/488**

(58) **Field of Classification Search**
USPC D14/485-495
CPC G06F 3/0484; G06F 3/0486
See application file for complete search history.

(56) **References Cited**

U.S. PATENT DOCUMENTS

D654,504 S *	2/2012	Pearson	D14/486
D655,719 S *	3/2012	Zaman	D14/486
D664,973 S *	8/2012	Gleasant	D14/486
D664,987 S *	8/2012	Gleasant	D14/488
D669,906 S *	10/2012	Cranfill	D14/485
D699,739 S *	2/2014	Voreis	D14/486
D701,866 S *	4/2014	Pearson	D14/485
D704,726 S *	5/2014	Maxwell	D14/486
D704,731 S *	5/2014	Pearson	D14/488
D705,244 S *	5/2014	Arnold	D14/486
D705,251 S *	5/2014	Pearson	D14/488
D708,200 S *	7/2014	Yu	D14/486

D719,187 S *	12/2014	Arnold	D14/488
D719,581 S *	12/2014	Frew	D14/486
D727,924 S *	4/2015	Yu	D14/485
D727,932 S *	4/2015	Wang	D14/486
D729,818 S *	5/2015	Bae	D14/485

(Continued)

Primary Examiner — Ian Simmons

Assistant Examiner — Shannon Morgan

(74) *Attorney, Agent, or Firm* — Birch, Stewart, Kolasch & Birch, LLP

(57) **CLAIM**

We claim the ornamental design for a display panel with transitional graphical user interface, as shown and described.

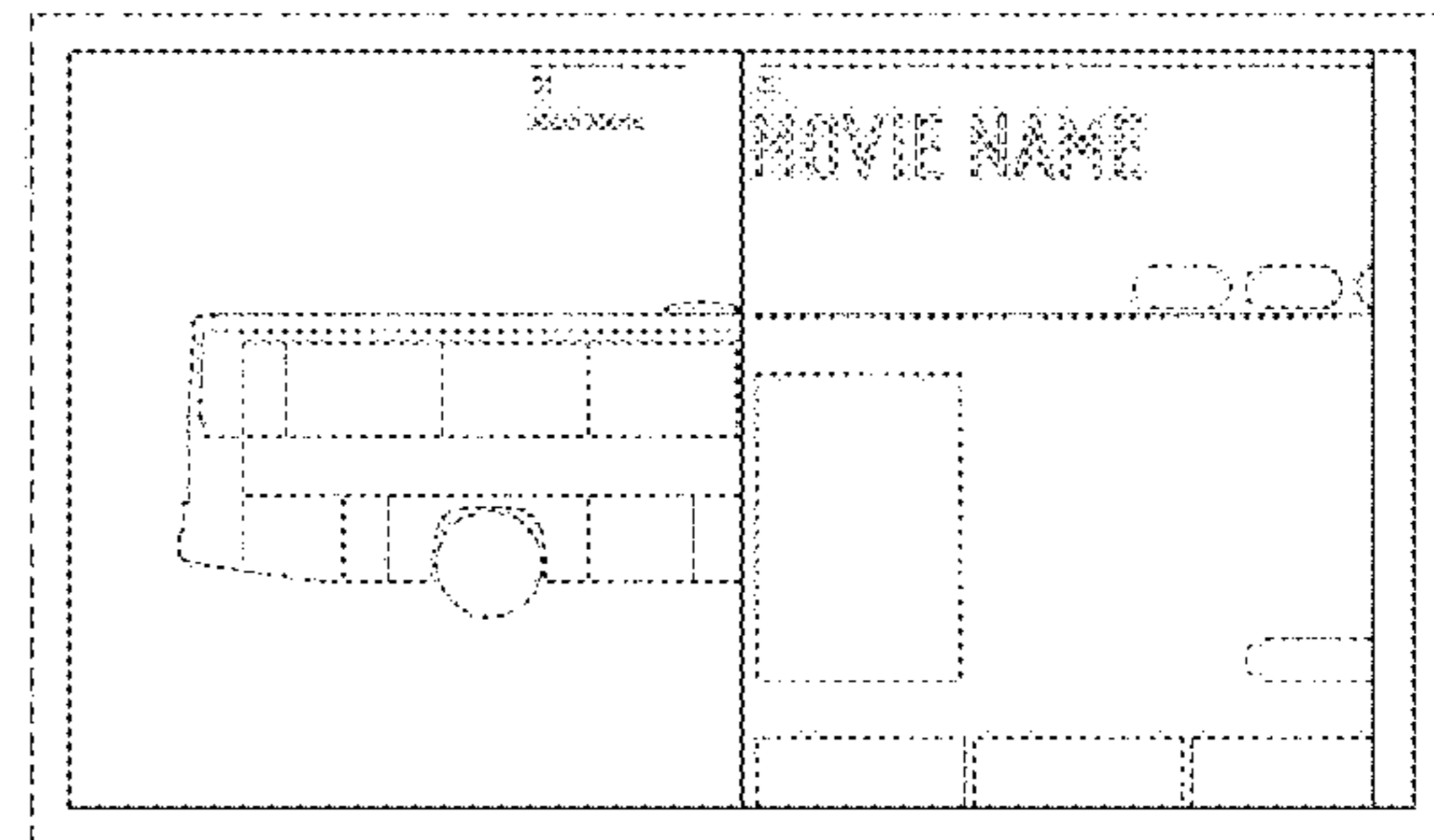
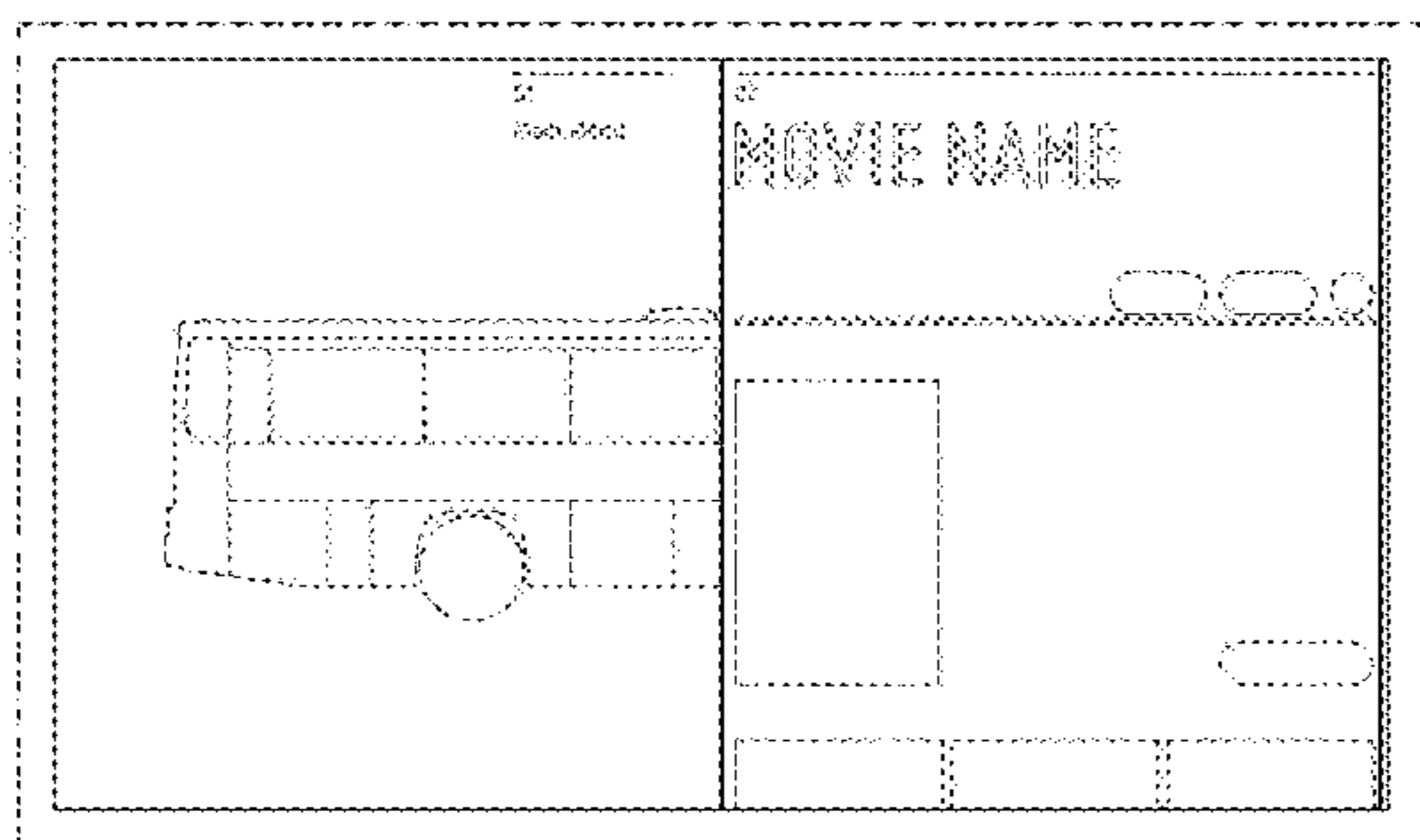
DESCRIPTION

FIG. 1 is a front view of a first image of a display panel with transitional graphical user interface showing our new design; FIG. 2 is a front view of a second image thereof; FIG. 3 is a front view of a third image thereof; FIG. 4 is a front view of a fourth image thereof; FIG. 5 is a front view of a fifth image thereof; FIG. 6 is a front view of a sixth image thereof; FIG. 7 is a front view of a seventh image thereof; FIG. 8 is a front view of an eighth image thereof; FIG. 9 is a front view of a ninth image thereof; and, FIG. 10 is a front view of a tenth image thereof.

The broken lines shown in the figures represent portions of the display panel with transitional graphical user interface that form no part of the claimed design.

The appearance of the transitional image sequentially transitions between the images shown in FIGS. 1 through 10. The process or period in which one image transitions to another forms no part of the claimed design.

1 Claim, 5 Drawing Sheets



(56)

References Cited

U.S. PATENT DOCUMENTS

D732,551 S *	6/2015	Lee	D14/485	2013/0167026 A1*	6/2013	Shafer	G06F 3/0484 715/716
D733,163 S *	6/2015	Lee	D14/485	2015/0113407 A1*	4/2015	Hoffert	G06F 3/0482 715/720
D735,216 S *	7/2015	Lee	D14/485	2015/0143284 A1*	5/2015	Bennett	G06F 3/0484 715/790
D735,219 S *	7/2015	Young-Ri	D14/486	2015/0339018 A1*	11/2015	Moon	G06F 3/0484 715/765
D735,734 S *	8/2015	Lee	D14/485	2015/0355728 A1*	12/2015	Cho	G06F 3/03 345/173
D736,220 S *	8/2015	Lee	D14/485	2015/0355790 A1*	12/2015	O'Mahony	G06F 19/3406 715/771
D737,280 S *	8/2015	Lee	D14/485	2015/0355813 A1*	12/2015	Hughes	G06F 3/0484 715/771
2006/0056796 A1*	3/2006	Nishizawa	G11B 27/00 386/240	2015/0365306 A1*	12/2015	Chaudhri	H04L 43/08 715/736
2012/0225694 A1*	9/2012	Sirpal	G06F 1/1616 455/566					
2013/0120295 A1*	5/2013	Kim	G06F 3/01 345/173					
2013/0120447 A1*	5/2013	Kim	G06T 11/60 345/629					

* cited by examiner

FIG. 1

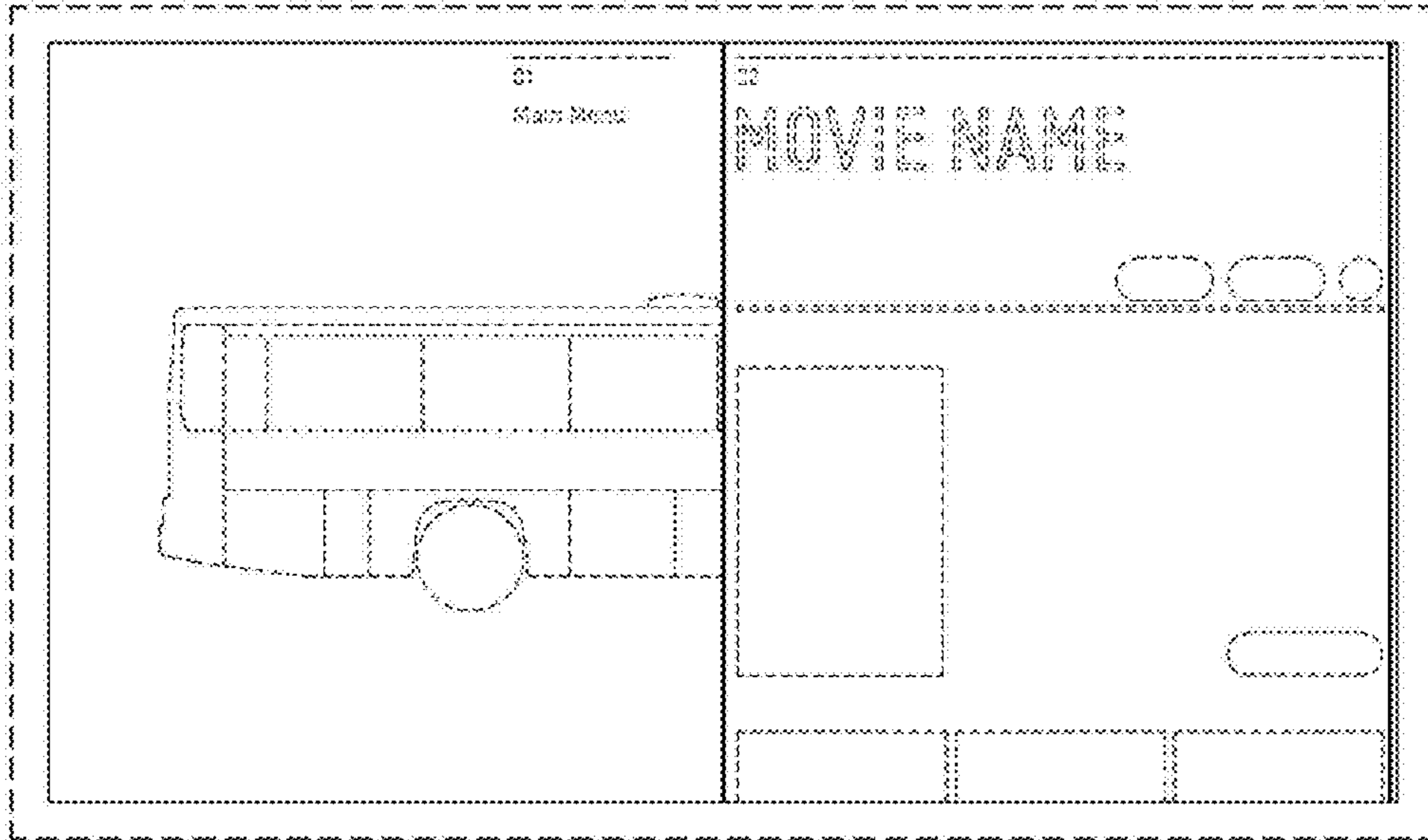


FIG. 2

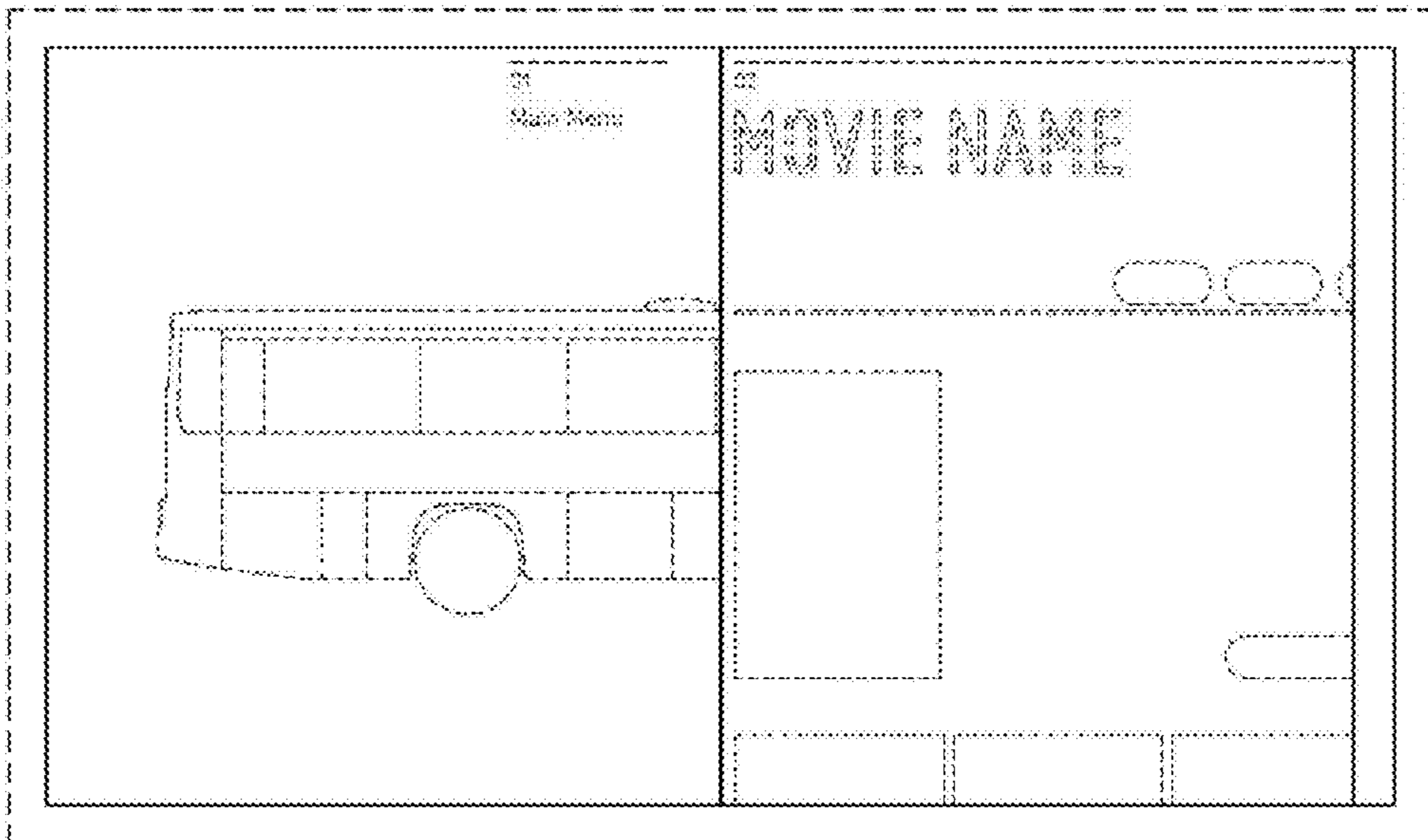


FIG. 3

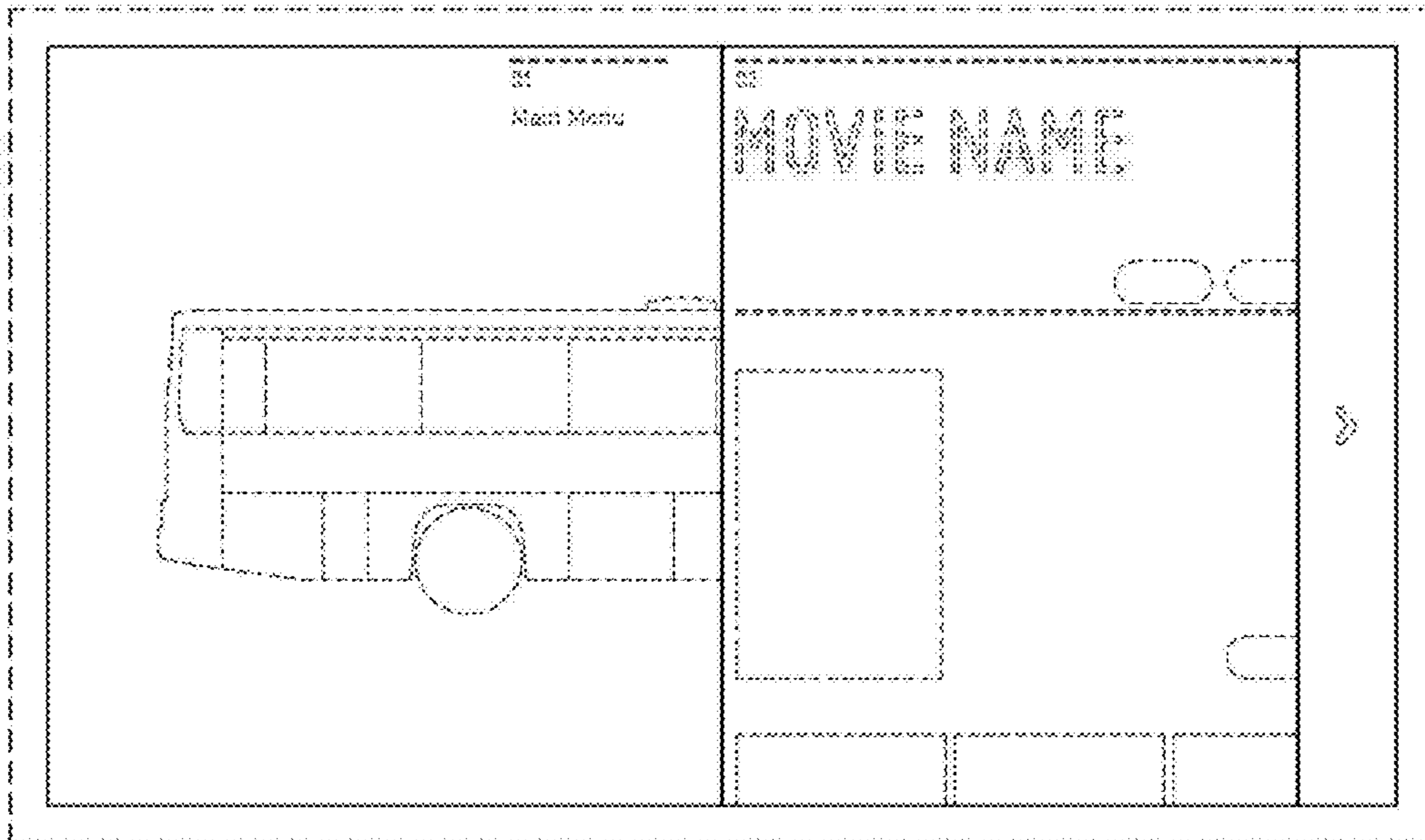


FIG. 4

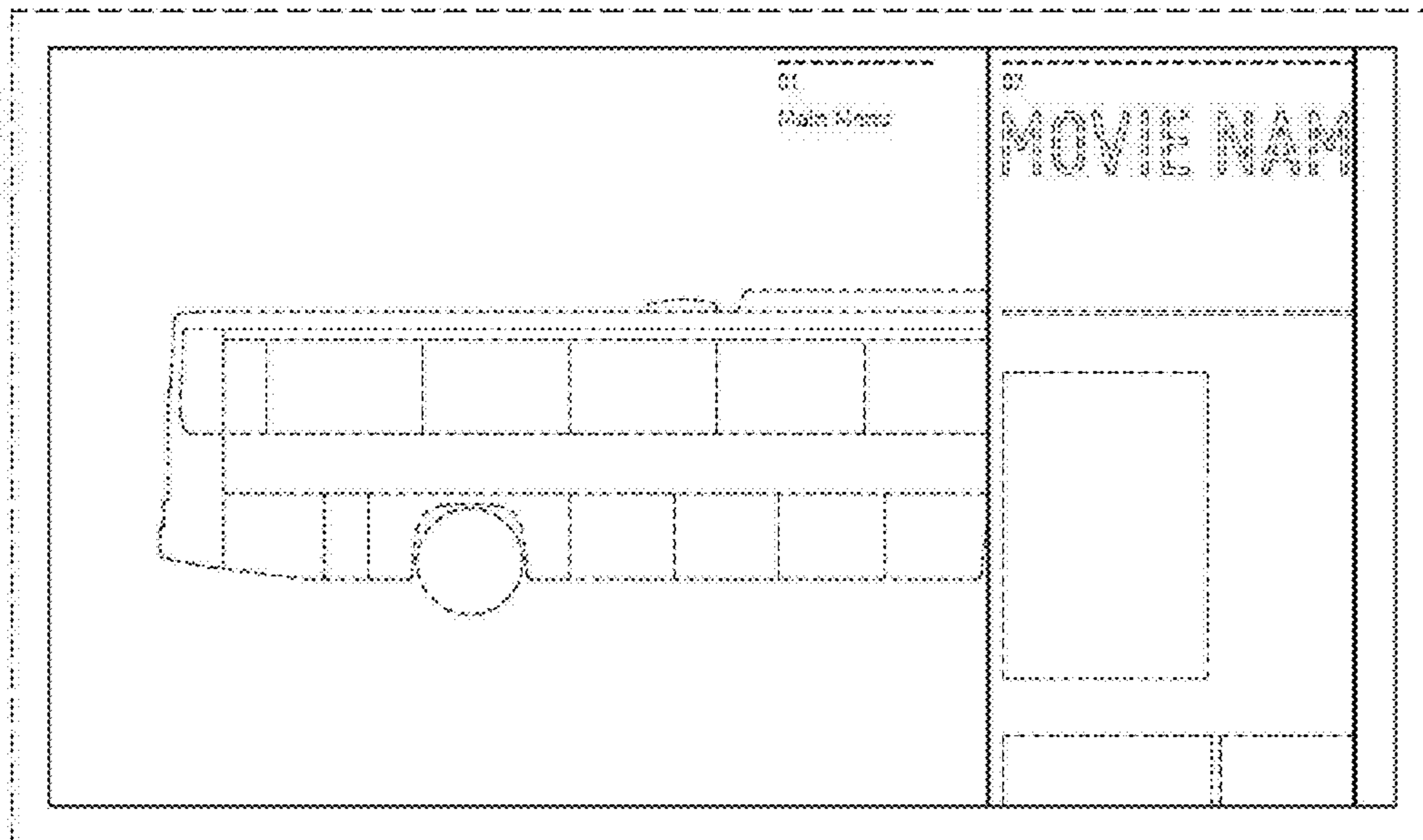


FIG. 5

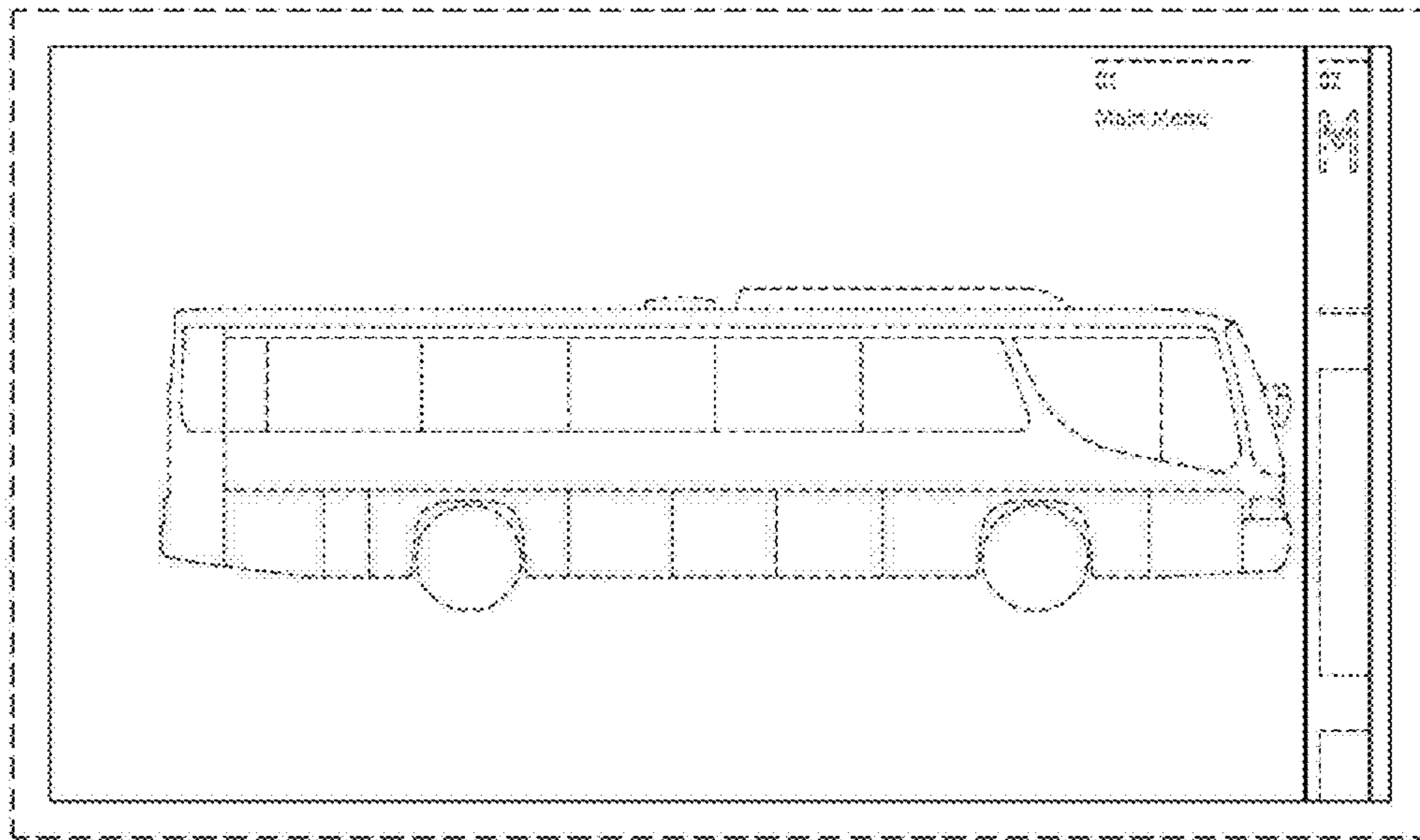


FIG. 6

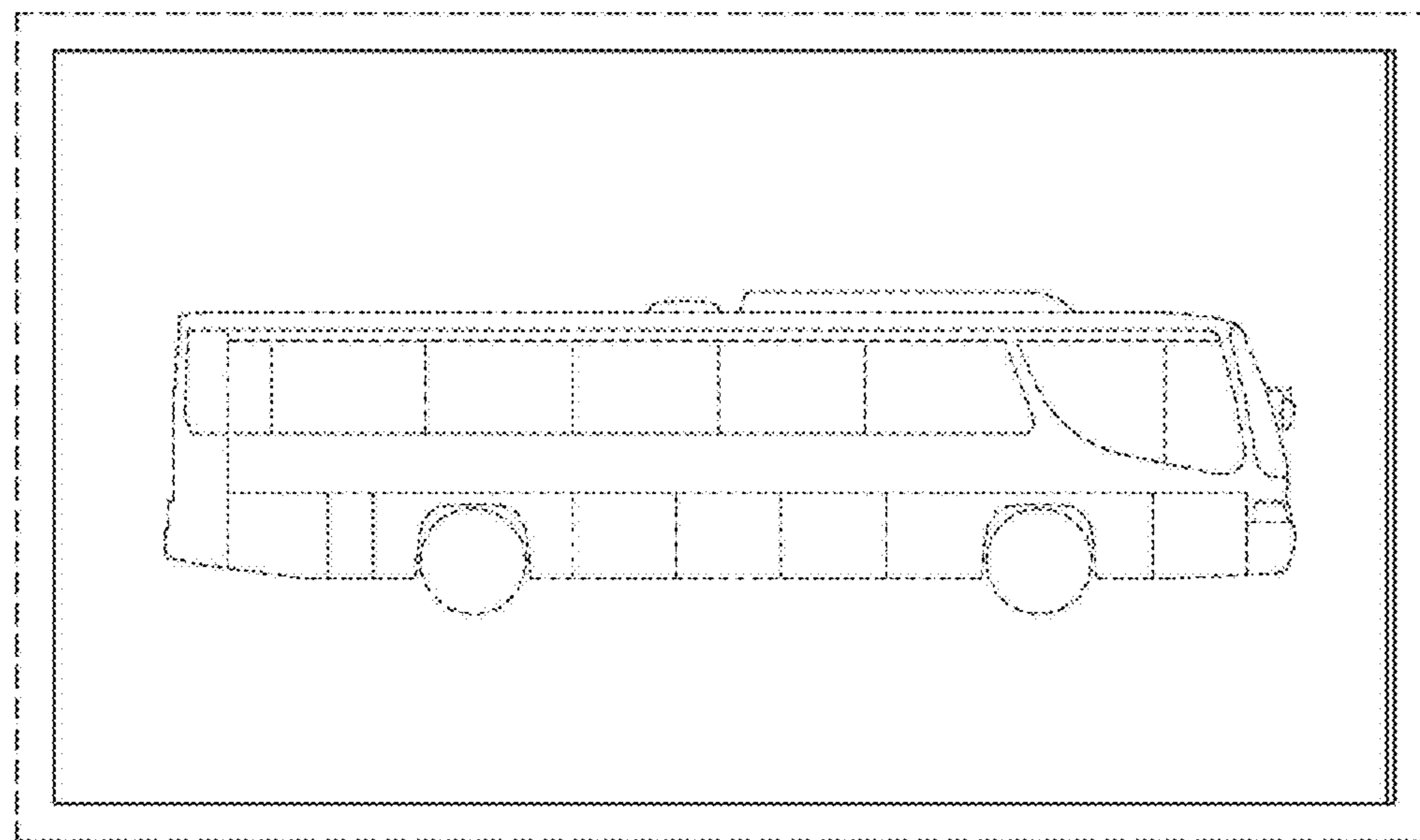


FIG. 7

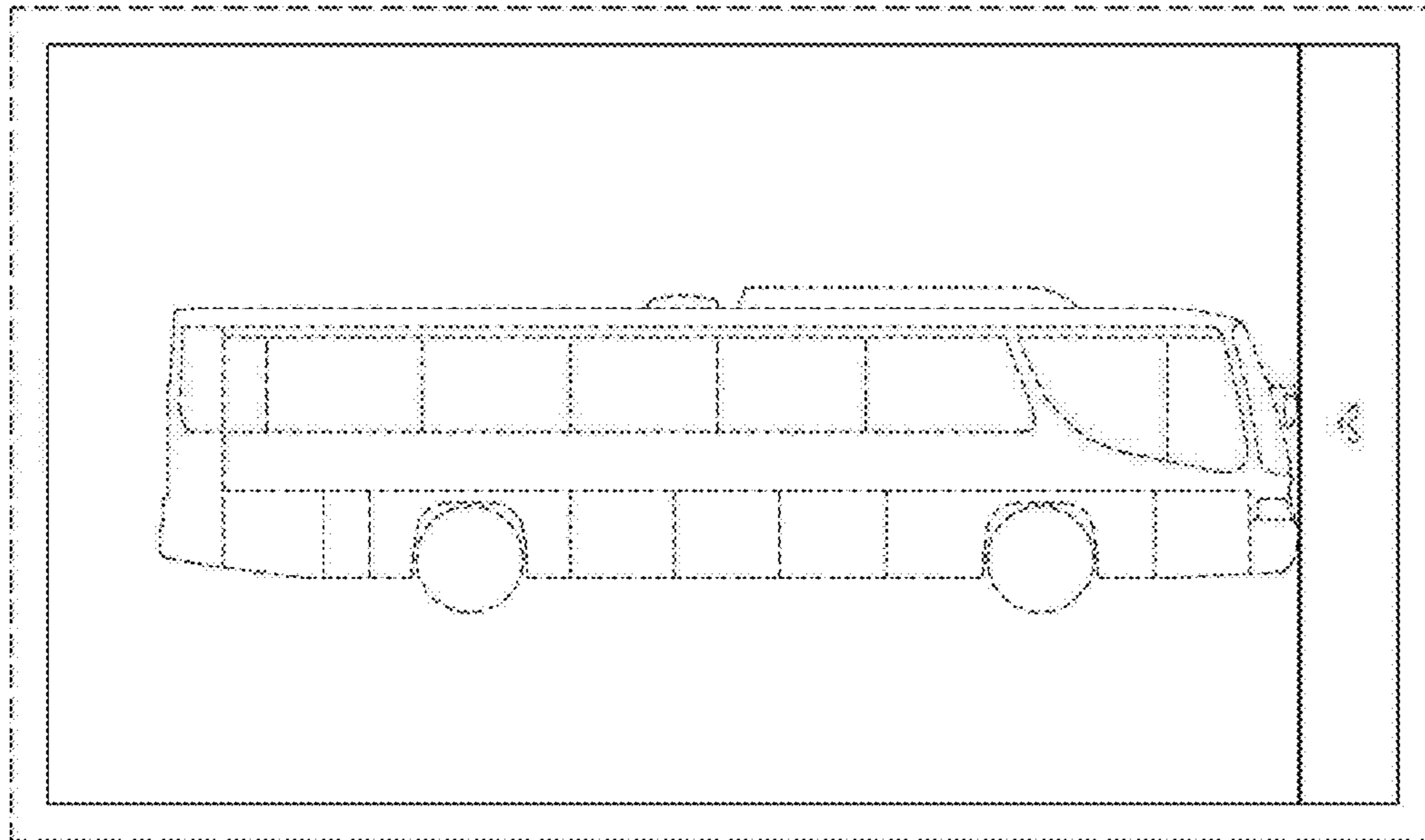


FIG. 8

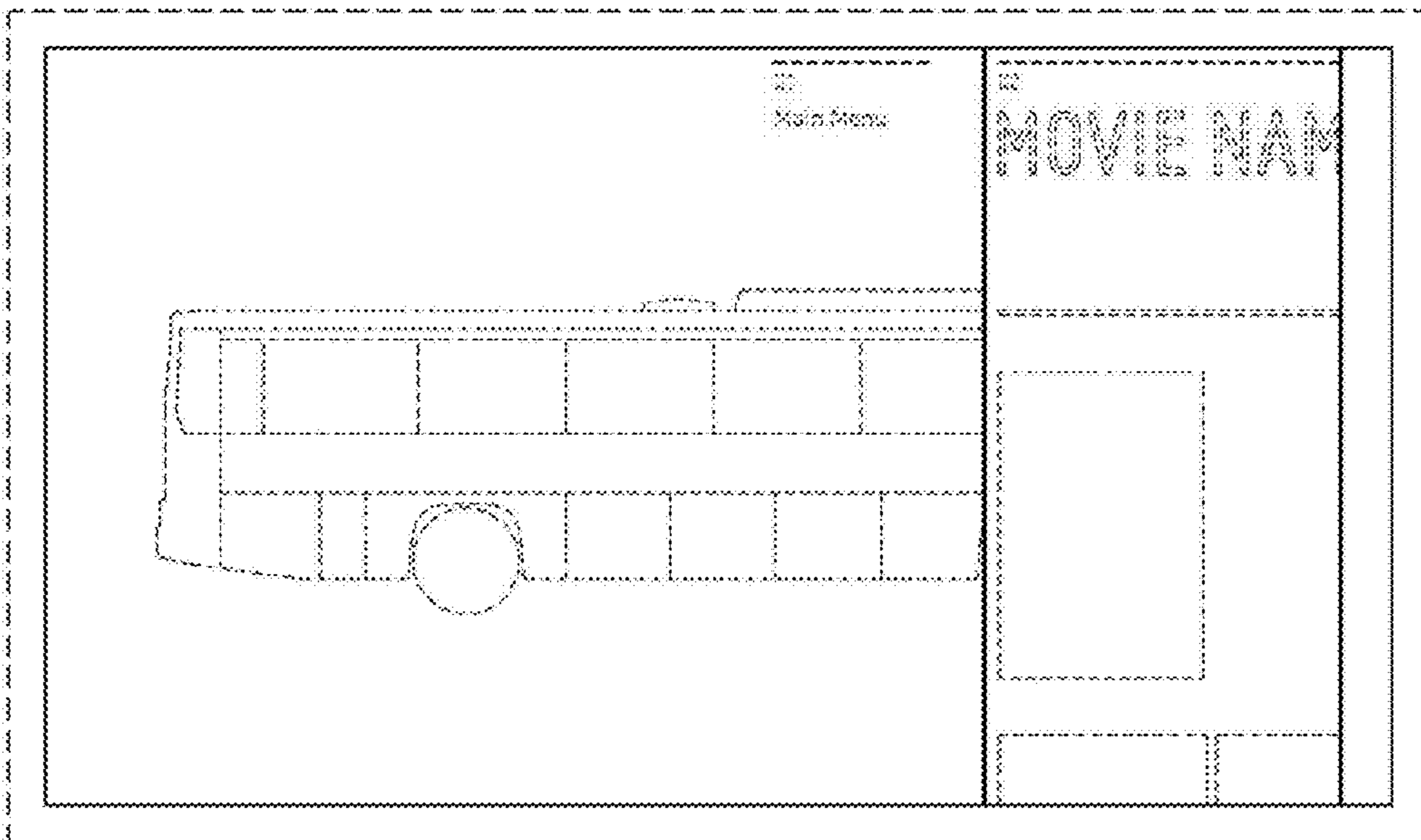


FIG. 9

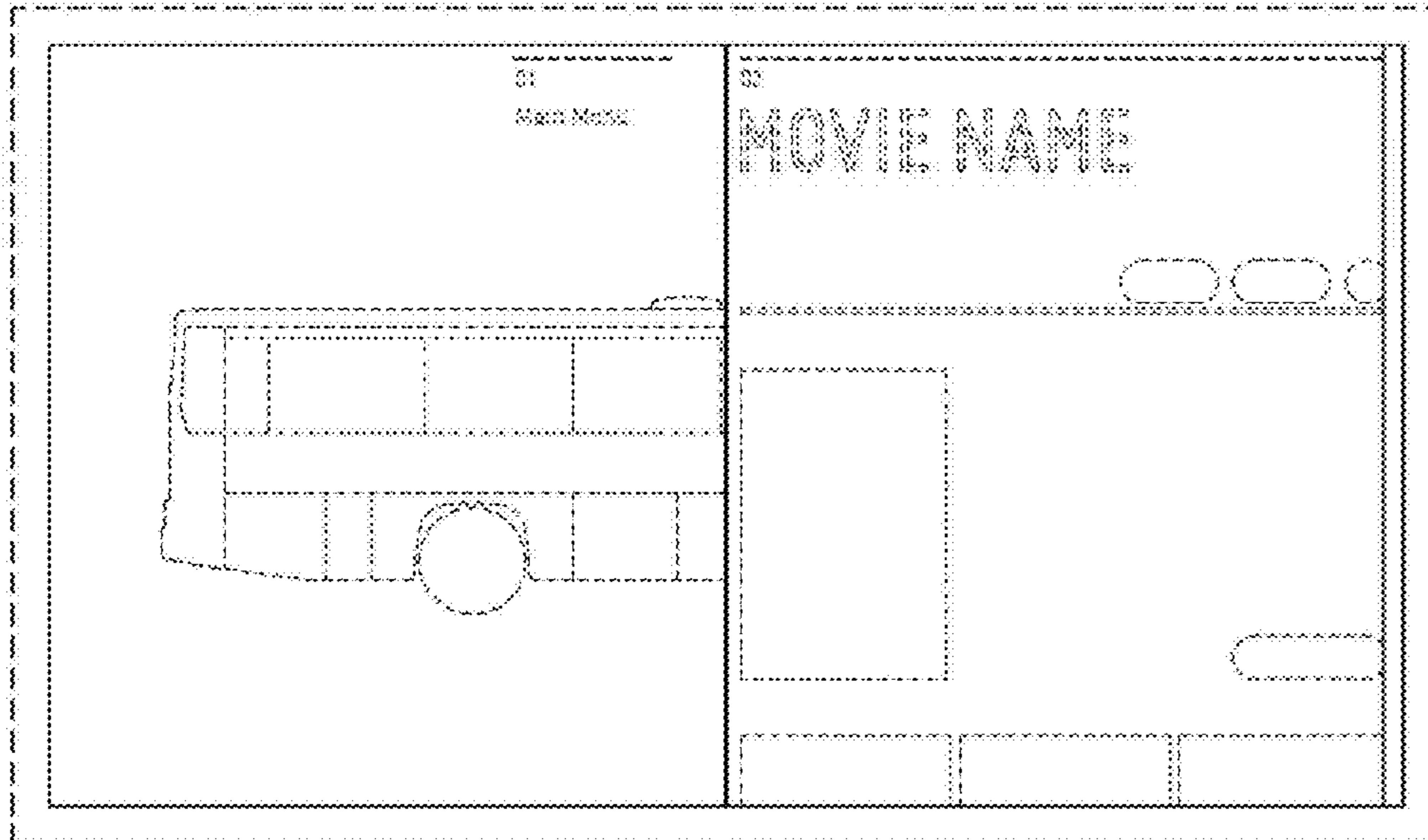


FIG. 10

