



US00D759702S

(12) **United States Design Patent**
Scalisi et al.

(10) **Patent No.:** **US D759,702 S**
(45) **Date of Patent:** **** Jun. 21, 2016**

(54) **DISPLAY SCREEN OR A PORTION THEREOF WITH A GRAPHICAL USER INTERFACE**

(71) Applicant: **SkyBell Technologies, Inc.**, Irvine, CA (US)

(72) Inventors: **Joseph Frank Scalisi**, Yorba Linda, CA (US); **Andrew Paul Thomas**, Newport Beach, CA (US); **Desiree Mejia**, Yorba Linda, CA (US)

(73) Assignee: **SkyBell Technologies, Inc.**, Irvine, CA (US)

(**) Term: **14 Years**

(21) Appl. No.: **29/514,712**

(22) Filed: **Jan. 15, 2015**

(51) **LOC (10) Cl.** **14-04**

(52) **U.S. Cl.**
USPC **D14/487**; D14/489; D14/492

(58) **Field of Classification Search**
USPC D14/485–495
CPC G06F 3/0488; G06F 3/04883; G06F 3/04886; G06K 9/00221; G06T 1/0007
See application file for complete search history.

(56) **References Cited**

U.S. PATENT DOCUMENTS

5,822,123	A	10/1998	Davis	
D418,826	S	1/2000	Pavely	
6,601,027	B1	7/2003	Wright	
6,897,880	B2	5/2005	Samra	
7,015,943	B2	3/2006	Chiang	
D537,083	S	2/2007	Stabb	
7,346,692	B2	3/2008	Watanabe	
7,447,996	B1	11/2008	Cox	
D582,930	S *	12/2008	Blankenship D14/485
D601,153	S	9/2009	Setiawan	
7,603,413	B1	10/2009	Herold	
D608,366	S	1/2010	Matas	

7,716,594	B2	5/2010	Fujii
D616,896	S	6/2010	Vandeberghe
D622,283	S	8/2010	Van Os
7,865,563	B2	1/2011	Moudy
D636,398	S	4/2011	Matas
D636,780	S	4/2011	Musleh
8,108,528	B2	1/2012	Jones
D659,156	S	5/2012	Klein
D662,106	S	6/2012	Mori
D664,151	S	7/2012	Lee
D665,407	S	8/2012	Bitran

(Continued)

OTHER PUBLICATIONS

OmniVision. "Product Introduction: OmniVision Provides World's First Battery Operated Wireless Video Doorbell." SmaHome, posted Jan. 7, 2015 (Retrieved from the Internet Apr. 13, 2016). Internet URL: <<http://www.mysmahome.com/REVIEWS/3310/product-introduction-omnivision-provides-world's-first-battery-operated-wireless-video-doorbell.aspx>>.*

(Continued)

Primary Examiner — Karen E Kearney
Assistant Examiner — Rachel Voorhies

(57) **CLAIM**

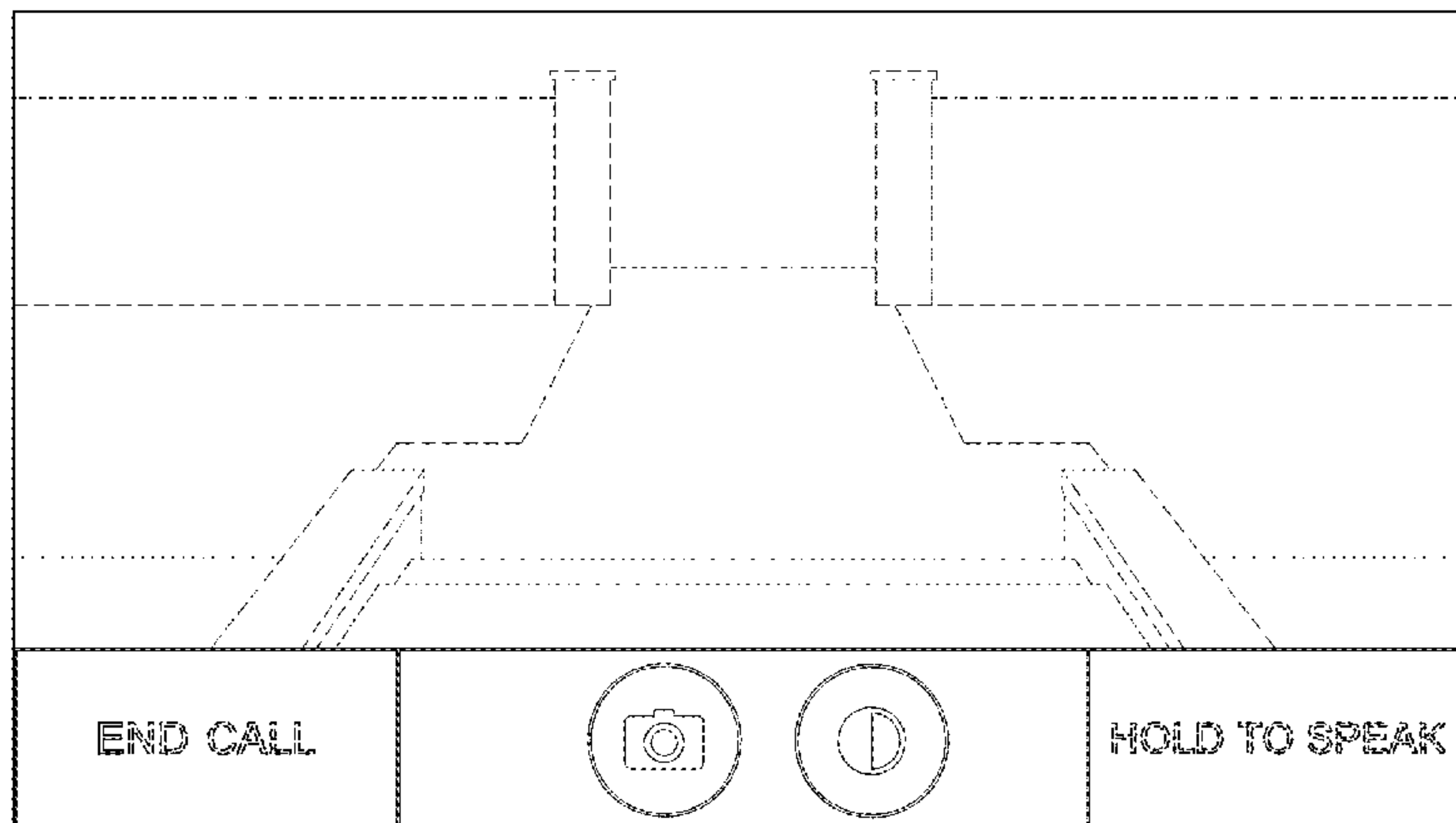
The ornamental design for a display screen or a portion thereof with a graphical user interface, as shown and described.

DESCRIPTION

FIG. 1 is a front view of a display screen or a portion thereof with a graphical user interface showing a new design; and, FIG. 2 is a front view of the design of FIG. 1 applied to a smartphone environment.

The broken lines showing a smartphone (in FIG. 2), the broken lines showing an image taken by a camera (within a rectangle in FIGS. 1 and 2), and the other broken lines form no part of the claimed design.

1 Claim, 2 Drawing Sheets



(56)

References Cited

U.S. PATENT DOCUMENTS

D674,840 S * 1/2013 Van Den Broecke D14/248
 D682,863 S * 5/2013 Burkatovskiy D14/486
 D689,086 S 9/2013 Philopoulos
 D691,161 S 10/2013 Sato
 D695,773 S 12/2013 Tagliabue
 D700,198 S 2/2014 Akcasu
 D701,228 S * 3/2014 Lee D14/486
 D701,520 S 3/2014 Jung
 8,682,980 B2 3/2014 Fernandez
 8,694,899 B2 4/2014 Goossens
 D704,206 S 5/2014 Jung
 D709,085 S 7/2014 Wen
 8,769,028 B2 7/2014 Herold
 8,780,201 B1 7/2014 Scalisi et al.
 D711,275 S 8/2014 Scalisi
 D714,340 S 9/2014 Mason
 8,823,795 B1 9/2014 Scalisi et al.
 8,842,180 B1 9/2014 Kasmir et al.
 D715,317 S * 10/2014 Pearce D14/486
 8,872,915 B1 10/2014 Scalisi et al.
 D717,321 S * 11/2014 Lee D14/486
 D718,327 S 11/2014 Nies
 D718,779 S 12/2014 Hang Sik
 D718,780 S * 12/2014 Rajaraman D14/486
 8,937,659 B1 1/2015 Scalisi et al.
 8,941,736 B1 1/2015 Scalisi
 D722,608 S * 2/2015 Donahue D14/486
 D723,044 S * 2/2015 Park D14/485
 8,947,530 B1 2/2015 Scalisi
 8,953,040 B1 2/2015 Scalisi et al.
 D726,748 S 4/2015 Maekawa
 D727,769 S 4/2015 Scalisi
 9,013,575 B2 4/2015 Scalisi
 D729,678 S 5/2015 Scalisi
 D729,837 S 5/2015 Kang
 D730,386 S 5/2015 Ryan
 9,043,719 B2 5/2015 Hlad
 D730,927 S 6/2015 Lee
 9,049,352 B2 6/2015 Scalisi et al.
 9,055,202 B1 6/2015 Scalisi et al.
 9,058,738 B1 6/2015 Scalisi
 9,060,103 B2 6/2015 Scalisi
 9,060,104 B2 6/2015 Scalisi
 9,065,987 B2 6/2015 Kasmir et al.
 9,094,584 B2 7/2015 Scalisi et al.
 D736,294 S 8/2015 Scalisi
 D737,283 S 8/2015 Scalisi
 D737,296 S * 8/2015 Jung D14/486
 9,113,051 B1 8/2015 Scalisi
 9,113,052 B1 8/2015 Scalisi et al.
 9,118,819 B1 8/2015 Scalisi et al.
 9,142,214 B2 9/2015 Scalisi
 D740,873 S 10/2015 Scalisi
 9,160,987 B1 10/2015 Kasmir et al.
 9,165,444 B2 10/2015 Scalisi

9,172,920 B1 10/2015 Kasmir et al.
 9,172,921 B1 10/2015 Scalisi et al.
 9,172,922 B1 * 10/2015 Kasmir H04L 12/2827
 9,179,107 B1 11/2015 Scalisi et al.
 9,179,108 B1 11/2015 Scalisi et al.
 9,179,109 B1 * 11/2015 Kasmir G08B 3/10
 9,196,133 B2 11/2015 Scalisi et al.
 9,197,867 B1 11/2015 Scalisi et al.
 D746,844 S * 1/2016 Kim D14/486
 2001/0056468 A1 12/2001 Okayasu
 2003/0169296 A1 9/2003 Ito
 2004/0019637 A1 1/2004 Goodman
 2005/0216841 A1 9/2005 Acker
 2007/0300169 A1 12/2007 Jones
 2008/0235578 A1 9/2008 Heed
 2008/0266324 A1 * 10/2008 Lynch G01C 21/20
 345/634
 2009/0138809 A1 5/2009 Arad
 2009/0154669 A1 6/2009 Wood
 2010/0023865 A1 1/2010 Fulker
 2010/0194763 A1 8/2010 Niles
 2010/0235430 A1 9/2010 Kim
 2010/0293003 A1 11/2010 Abbo
 2011/0004835 A1 1/2011 Yanchar
 2011/0082808 A1 4/2011 Beykpour
 2011/0197163 A1 8/2011 Jegal
 2011/0202611 A1 8/2011 Malik
 2012/0185772 A1 7/2012 Kotelly
 2012/0192090 A1 7/2012 Patterson
 2012/0280790 A1 11/2012 Gerhardt
 2012/0311472 A1 12/2012 Kim
 2013/0057695 A1 3/2013 Huisking
 2014/0068467 A1 3/2014 Van
 2014/0075546 A1 3/2014 Zeng
 2015/0062097 A1 * 3/2015 Chung G06F 1/1626
 345/184
 2015/0089407 A1 * 3/2015 Suzuki G06F 3/0482
 715/763
 2015/0296187 A1 * 10/2015 Baldwin H04N 7/181
 348/143
 2015/0350639 A1 * 12/2015 Maule G06F 3/0481
 348/187
 2016/0077652 A1 * 3/2016 Yang G06F 3/0416
 345/174

OTHER PUBLICATIONS

MySkyBell.com—Part 1 (previously iDoorCam.com)—Down-
 loaded on Nov. 18, 2013 from <http://www.myskybell.com/>.
 MySkyBell.com—Part 2 (previously iDoorCam.com)—Down-
 loaded on Nov. 18, 2013 from <http://www.myskybell.com/>.
 MySkyBell.com—Part 3 (previously iDoorCam.com)—Down-
 loaded on Nov. 18, 2013 from <http://www.myskybell.com/>.
 MySkyBell.com—Part 4 (previously iDoorCam.com)—Down-
 loaded on Nov. 18, 2013 from <http://www.myskybell.com/>.
 MySkyBell.com—Part 5 (previously iDoorCam.com)—Down-
 loaded on Nov. 18, 2013 from <http://www.myskybell.com/>.

* cited by examiner

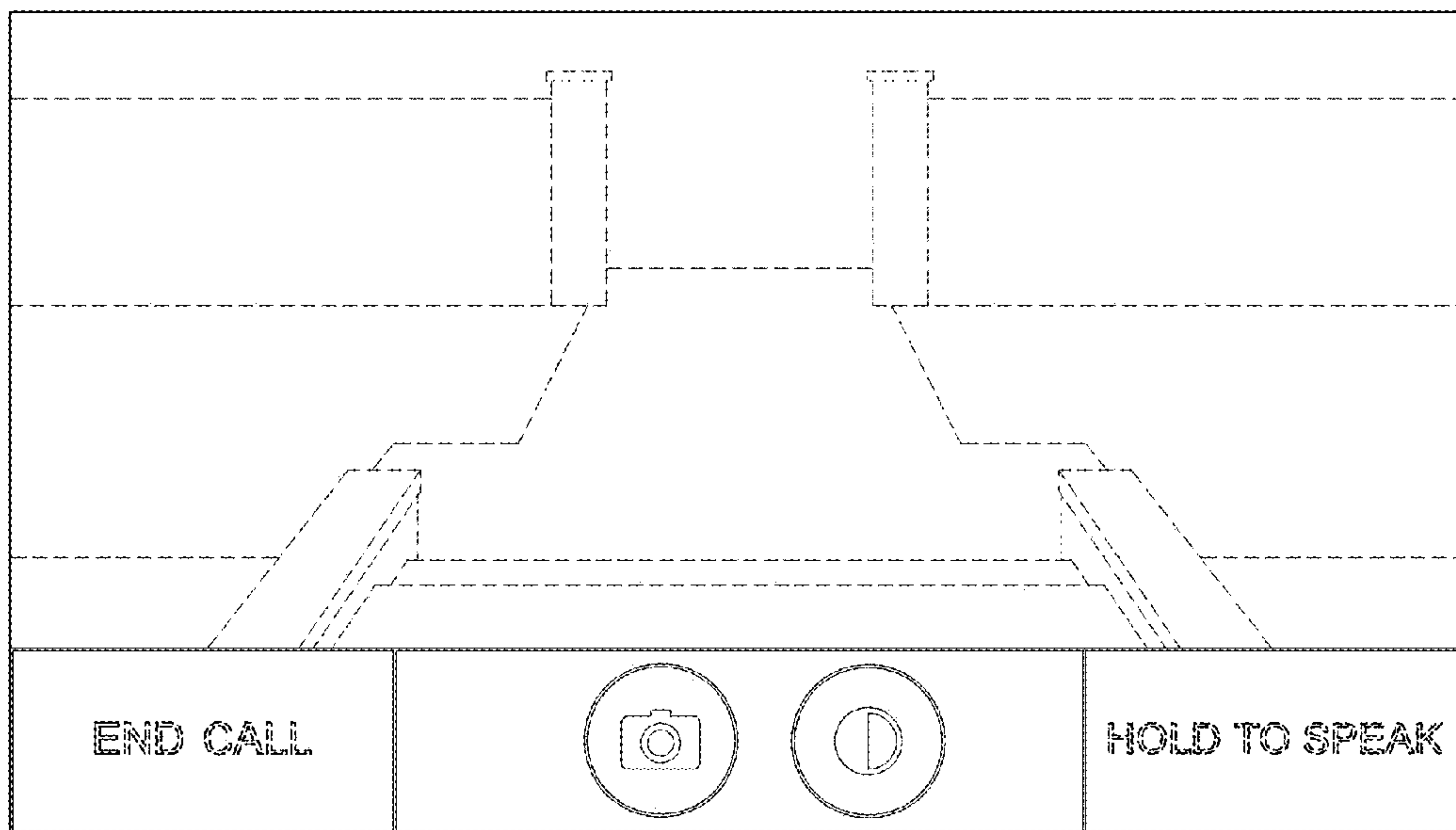


FIG. 1

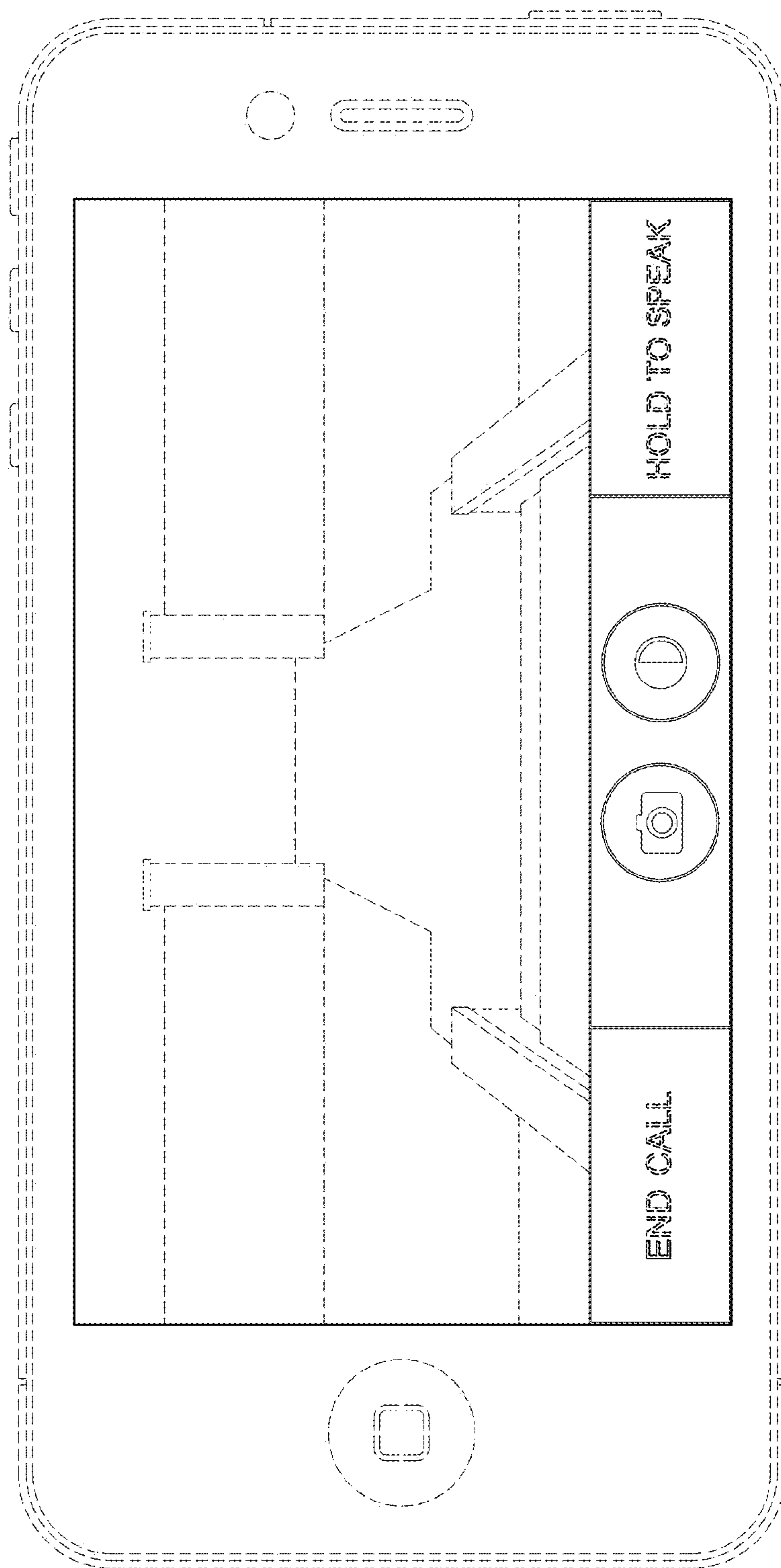


FIG. 2