



US00D759700S

(12) **United States Design Patent**
Williams et al.

(10) **Patent No.:** **US D759,700 S**
(45) **Date of Patent:** **** Jun. 21, 2016**

- (54) **DISPLAY SCREEN PORTION WITH GRAPHICAL USER INTERFACE**
- (71) Applicant: **Amazon Technologies, Inc.**, Seattle, WA (US)
- (72) Inventors: **Matthew T. Williams**, Seattle, WA (US);
Iain A. Kennedy, Seattle, WA (US);
James Joel Massey, Issaquah, WA (US);
Isaac W. Oates, Brooklyn, NY (US)
- (73) Assignee: **Amazon Technologies, Inc.**, Seattle, WA (US)
- (**) Term: **14 Years**
- (21) Appl. No.: **29/512,171**
- (22) Filed: **Dec. 17, 2014**

Related U.S. Application Data

- (62) Division of application No. 29/418,621, filed on Apr. 18, 2012, now Pat. No. Des. 722,614, which is a division of application No. 29/346,042, filed on Oct. 26, 2009, now Pat. No. Des. 660,313.
- (51) **LOC (10) Cl.** **14-04**
- (52) **U.S. Cl.**
USPC **D14/487**
- (58) **Field of Classification Search**
USPC D14/485–495
CPC H04N 7/15; H04N 7/142; H04N 7/147;
G06F 3/0481; G06F 3/0482; G06F 3/0485;
G06F 3/0488; G06F 3/04817
See application file for complete search history.

References Cited

U.S. PATENT DOCUMENTS

- D392,267 S 3/1998 Mason et al.
- D392,268 S 3/1998 Mason et al.
- D392,269 S 3/1998 Mason et al.

- D424,036 S 5/2000 Arora et al.
- D425,497 S 5/2000 Eisenberg et al.
- D435,561 S 12/2000 Pettigrew et al.
- D438,873 S 3/2001 Wang
- D439,584 S 3/2001 Wang
- D446,790 S 8/2001 Wang
- D459,361 S 6/2002 Inagaki
- 6,538,665 B2 3/2003 Crow
- D491,956 S 6/2004 Ombao et al.
- D499,740 S 12/2004 Ombao
- D501,214 S 1/2005 Melander
- D503,720 S 4/2005 Wasko
- D508,248 S 8/2005 Ording
- D523,871 S 6/2006 Hally
- D528,124 S 9/2006 Hally
- D528,559 S 9/2006 Hally
- D543,991 S 6/2007 Vigasaa
- D543,992 S 6/2007 Vigasaa
- D544,495 S 6/2007 Evans
- 7,236,576 B2 6/2007 Schnarel

(Continued)

Primary Examiner — Deanna L Pratt

(74) *Attorney, Agent, or Firm* — Thomas | Horstemeyer, LLP

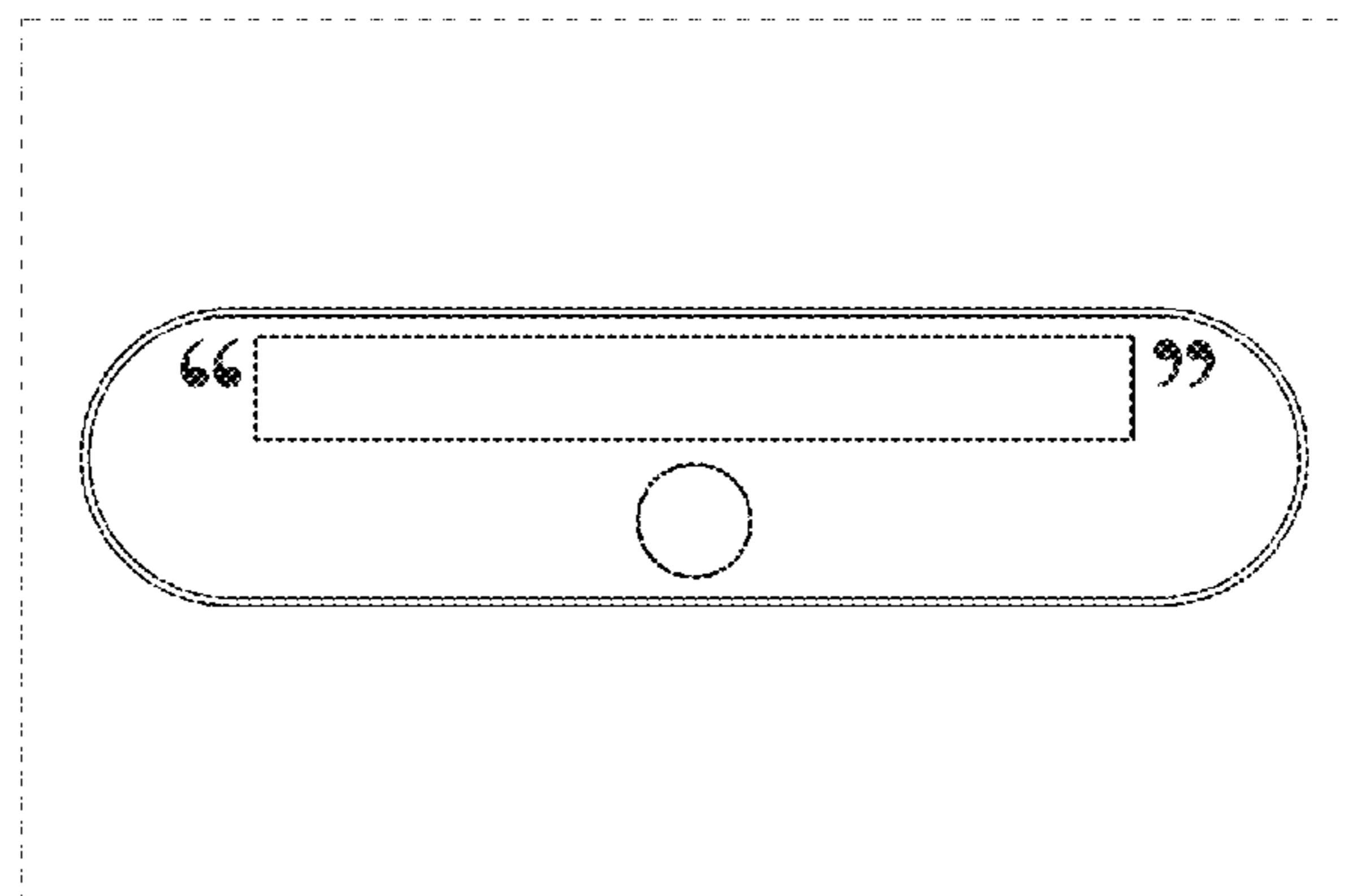
(57) **CLAIM**

The ornamental design for a display screen portion with graphical user interface, as shown and described.

DESCRIPTION

A portion of the disclosure of this patent document contains material to which a claim for copyright is made. The copyright owner has no objection to the facsimile reproduction by anyone of the patent document or the patent disclosure, as it appears in the Patent and Trademark Office patent file or records, but reserves all other copyright rights whatsoever. The FIGURE is a front view of the display screen portion with graphical user interface of our new design. The broken lines in the drawings illustrate the display screen and portions of the graphical user interface which form no part of the claimed design.

1 Claim, 1 Drawing Sheet



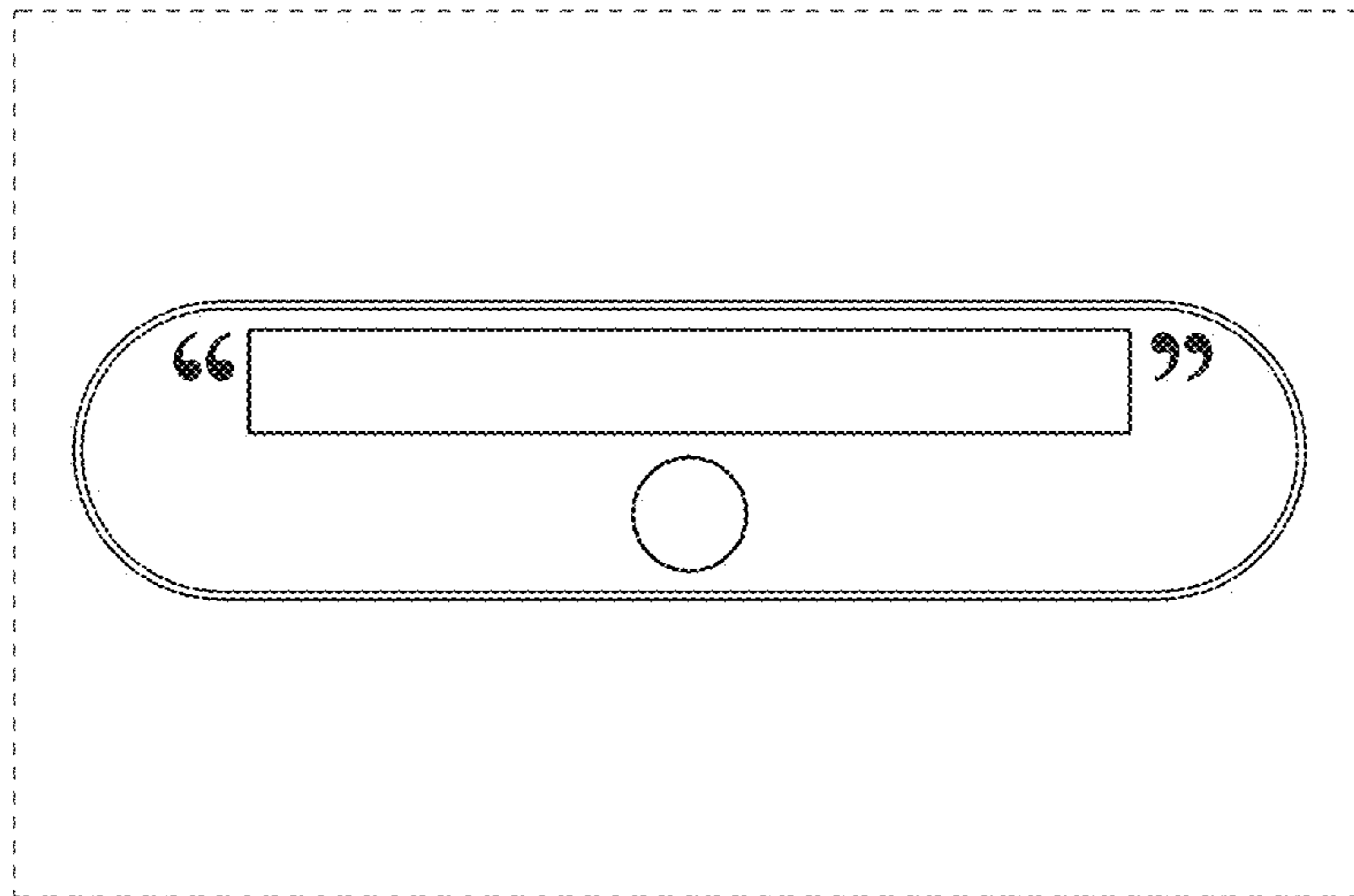
(56)

References Cited

U.S. PATENT DOCUMENTS

D545,832 S	7/2007	Armendariz	
D545,833 S	7/2007	Armendariz	
D550,689 S	9/2007	Vigesaa	
D553,146 S *	10/2007	Byeon	D14/486
D554,141 S *	10/2007	Armendariz	D14/487
D576,173 S	9/2008	Oshiro	
D578,134 S	10/2008	Jasinski	
D582,426 S	12/2008	Chen	
D585,453 S	1/2009	Chen	
D586,362 S	2/2009	Horowitz	
7,490,295 B2	2/2009	Chaudhri	
D588,148 S	3/2009	Stone	
D588,150 S	3/2009	Stone	
D593,110 S	5/2009	Danton	
D593,120 S	5/2009	Bouchard	
7,546,543 B2	6/2009	Louch	
7,571,014 B1	8/2009	Lambourne	
D599,373 S	9/2009	Kobayashi	
D604,740 S	11/2009	Matheny	
D605,657 S	12/2009	Danton	
D611,949 S	3/2010	Fletcher	
D611,951 S *	3/2010	Katzer	D14/489
D612,392 S	3/2010	Bouchard	
D614,197 S	4/2010	Casagrande	
D614,637 S	4/2010	Mizulo	
7,747,968 B2	6/2010	Brodersen	
D621,844 S	8/2010	Van Os	
D621,847 S	8/2010	Stallings	
D622,285 S	8/2010	Stallings	
D624,928 S	10/2010	Agnetta	
D624,929 S	10/2010	Agnetta	
D624,930 S	10/2010	Agnetta	
D624,931 S	10/2010	Agnetta	
D625,316 S	10/2010	Jewitt	
D625,322 S	10/2010	Guntaur	
D631,889 S	2/2011	Vance	
D631,890 S	2/2011	Vance	
D631,891 S	2/2011	Vance	
7,882,448 B2	2/2011	Haug	
D633,517 S *	3/2011	Weir	D14/487
D638,026 S	5/2011	Rechin	
D644,662 S	9/2011	Gardner et al.	
D644,663 S *	9/2011	Gardner	D14/495
D649,973 S	12/2011	Matas	
D660,313 S	5/2012	Williams et al.	
D669,913 S *	10/2012	Maggiotto	D14/487
D674,405 S *	1/2013	Guastella	D14/488
D678,320 S *	3/2013	Kanalakis, Jr.	D14/487
D678,894 S *	3/2013	Kanalakis, Jr.	D14/486
D678,898 S *	3/2013	Walsh	D14/487
D682,864 S *	5/2013	Kanalakis, Jr.	D14/487
D688,689 S *	8/2013	Walsh	D14/487
D702,248 S *	4/2014	Carlin	D14/486
D722,614 S *	2/2015	Williams	D14/487
D742,407 S *	11/2015	Park	D14/487
2002/0109710 A1	8/2002	Holtz	
2004/0100479 A1	5/2004	Nakano	
2005/0091272 A1	4/2005	Smith	
2005/0246654 A1	11/2005	Hally	
2007/0033540 A1	2/2007	Bridges	
2007/0067738 A1	3/2007	Flynt	
2008/0059570 A1	3/2008	Bill	
2009/0040875 A1	2/2009	Buzescu	
2009/0164923 A1	6/2009	Ovi	
2009/0327853 A1	12/2009	Dean	

* cited by examiner



© 2009 Amazon Technologies, Inc.