



US00D759682S

(12) **United States Design Patent**
Myung et al.

(10) **Patent No.:** **US D759,682 S**
(45) **Date of Patent:** **** Jun. 21, 2016**

(54) **DISPLAY SCREEN OR PORTION THEREOF WITH TRANSITIONAL GRAPHICAL USER INTERFACE**

FOREIGN PATENT DOCUMENTS

EM 001862368-0003 5/2011
KR 300739157 4/2014

(71) Applicant: **Samsung Electronics Co., Ltd.**,
Suwon-si (KR)

OTHER PUBLICATIONS

(72) Inventors: **Insik Myung**, Suwon-si (KR);
Sahnghee Bahn, Yongin-si (KR);
Jongwoo Jung, Suwon-si (KR);
Jungwon Lee, Suwon-si (KR)

Animated Widget Contact Pro, <https://play.google.com/store/apps/details?id=com.mobilityflow.awidget.pro>, (Published: Jul. 29, 2014).

(73) Assignee: **SAMSUNG ELECTRONICS CO., LTD.**, Suwon-Si (KR)

Primary Examiner — Lakiya Rogers
Assistant Examiner — Rhea Shields

(**) Term: **14 Years**

(74) *Attorney, Agent, or Firm* — McAndrews Held & Malloy, Ltd.

(21) Appl. No.: **29/520,871**

(57) **CLAIM**

(22) Filed: **Mar. 18, 2015**

The ornamental design for a display screen or portion thereof with transitional graphical user interface, as shown and described.

(30) **Foreign Application Priority Data**

Oct. 7, 2014 (KR) 30-2014-0048340

(51) **LOC (10) Cl.** **14-03**

DESCRIPTION

(52) **U.S. Cl.**
USPC **D14/485**

(58) **Field of Classification Search**
USPC D14/485–495, 454; D28/4; D24/146;
D3/328; 715/702, 764, 835, 760
CPC G06F 3/016; G06F 3/0481; G06F 3/0482
See application file for complete search history.

FIG. 1 is the first image in a sequence for a display screen or portion thereof with transitional graphical user interface showing our new design;
FIG. 2 is the second image thereof;
FIG. 3 is the third image thereof;
FIG. 4 is the fourth image thereof;
FIG. 5 is the fifth image thereof; and,
FIG. 6 is the sixth image thereof.

(56) **References Cited**

U.S. PATENT DOCUMENTS

D508,145 S * 8/2005 Jackel-Marken D28/4
D519,240 S * 4/2006 Jackel-Marken D28/4
D531,725 S * 11/2006 Loerwald D24/146
D553,148 S * 10/2007 Nijjima D14/491
D590,838 S * 4/2009 Bisig D14/492
D606,560 S * 12/2009 Kocmick D14/494
D607,008 S * 12/2009 Kocmick D14/489
D607,010 S * 12/2009 Kocmick D14/491

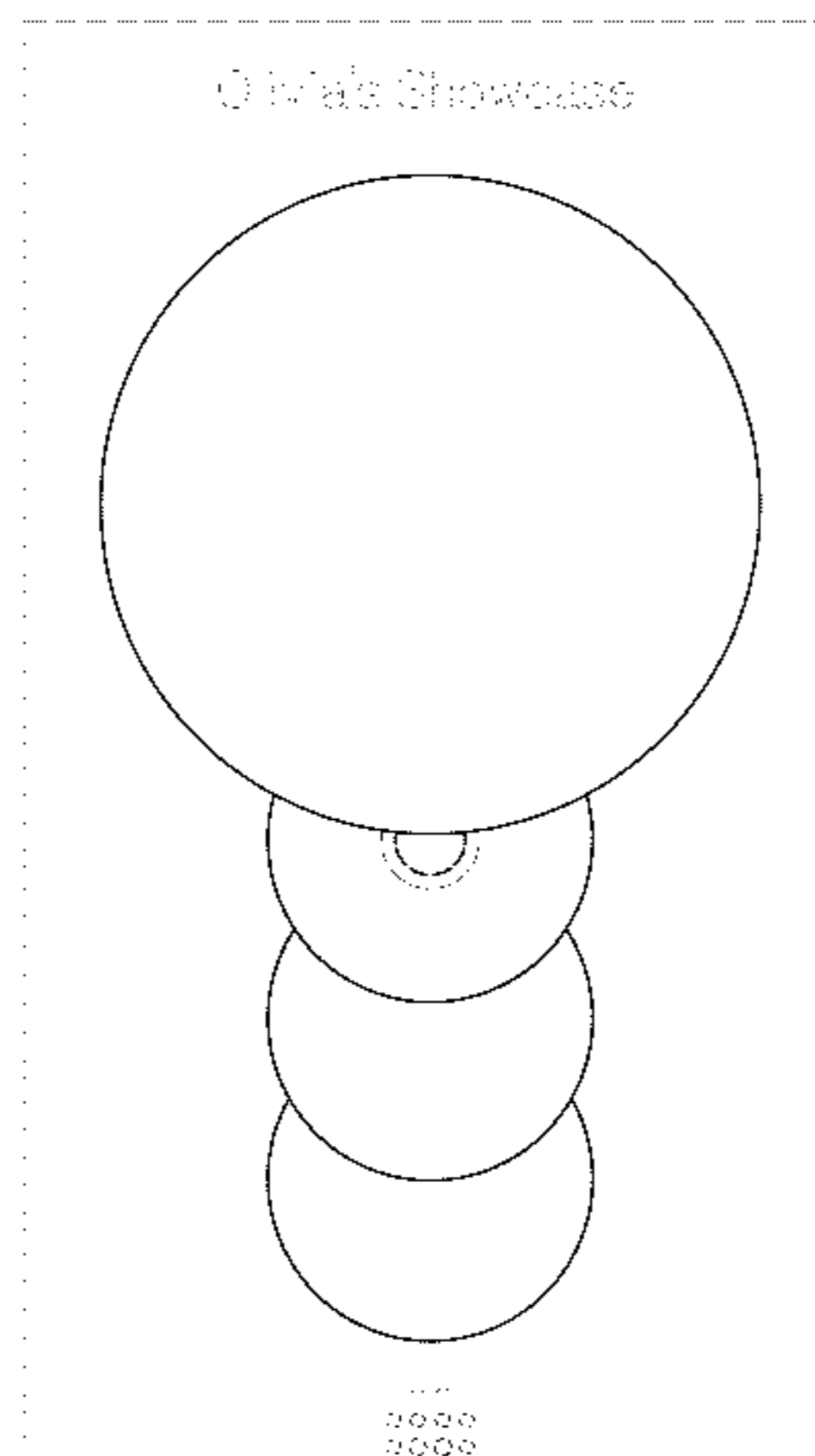
The broken lines around the figures show a display screen or portion thereof and form no part of the claimed design.

The broken lines within the figures show unclaimed portions of the graphical user interface and form no part of the claimed design.

The appearance of the transitional image sequentially transitions between the images shown in FIGS. 1-6. This process or period in which one image transitions to another image forms no part of the claimed design.

(Continued)

1 Claim, 6 Drawing Sheets



(56)

References Cited

U.S. PATENT DOCUMENTS

D607,893 S *	1/2010	Kanga	D14/485	D711,395 S *	8/2014	Hanson	D14/485
D611,484 S *	3/2010	Mays	D14/485	D711,896 S *	8/2014	Hanson	D14/485
D613,301 S *	4/2010	Lee	D14/489	D717,334 S *	11/2014	Sakuma	D14/487
D628,584 S *	12/2010	Umezawa	D14/489	D717,823 S *	11/2014	Brotman	D14/486
D637,197 S *	5/2011	Ray	D14/486	D721,086 S *	1/2015	Hontz, Jr.	D14/485
D637,198 S *	5/2011	Furuya	D14/486	D721,093 S *	1/2015	Pereira	D14/488
D646,297 S *	10/2011	McLaughlin	D14/488	D728,616 S *	5/2015	Gomez	D14/491
D691,629 S *	10/2013	Matas	D14/488	D732,047 S *	6/2015	Brouillette	D14/454
D694,770 S *	12/2013	Edwards	D14/485	D732,049 S *	6/2015	Amin	D14/485
D696,264 S *	12/2013	d'Amore	D14/485	D736,219 S *	8/2015	Petersen	D14/485
D696,265 S *	12/2013	d'Amore	D14/485	D736,810 S *	8/2015	Hisada	D14/486
D697,935 S *	1/2014	Lee	D14/486	D737,299 S *	8/2015	Hisada	D14/486
D698,820 S *	2/2014	Myung	D14/491	D737,300 S *	8/2015	Hisada	D14/486
D699,250 S *	2/2014	Fujii	D14/486	D737,301 S *	8/2015	Hisada	D14/486
D703,227 S *	4/2014	Abratowski	D14/489	D737,319 S *	8/2015	Cavander	D14/489
D706,806 S	6/2014	Nishizawa		D738,907 S *	9/2015	Cabrera-Cordon	D14/488
				D740,302 S *	10/2015	Son	D14/485
				D744,528 S *	12/2015	Agrawal	D14/488

* cited by examiner

FIG. 1

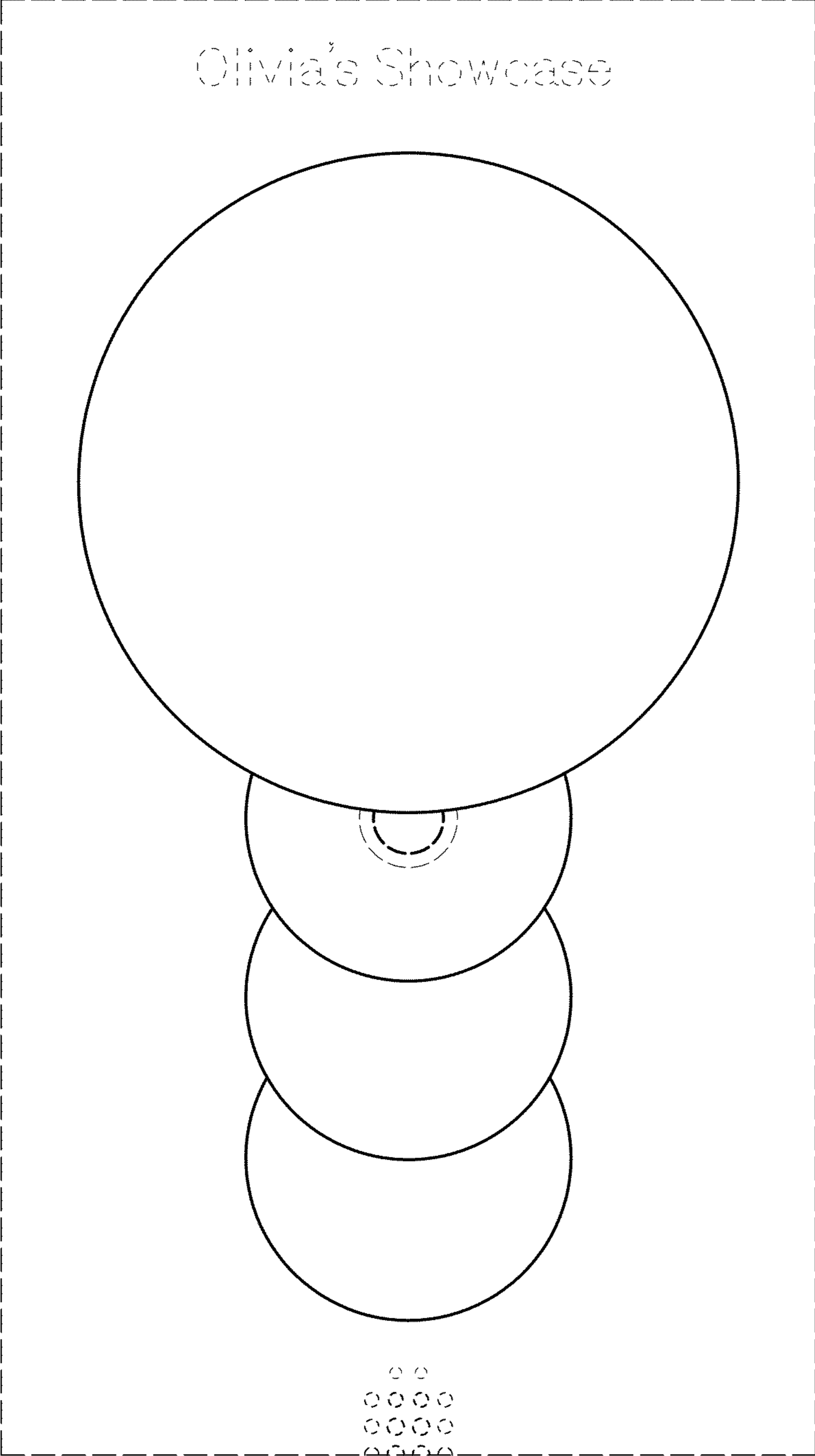


FIG. 2

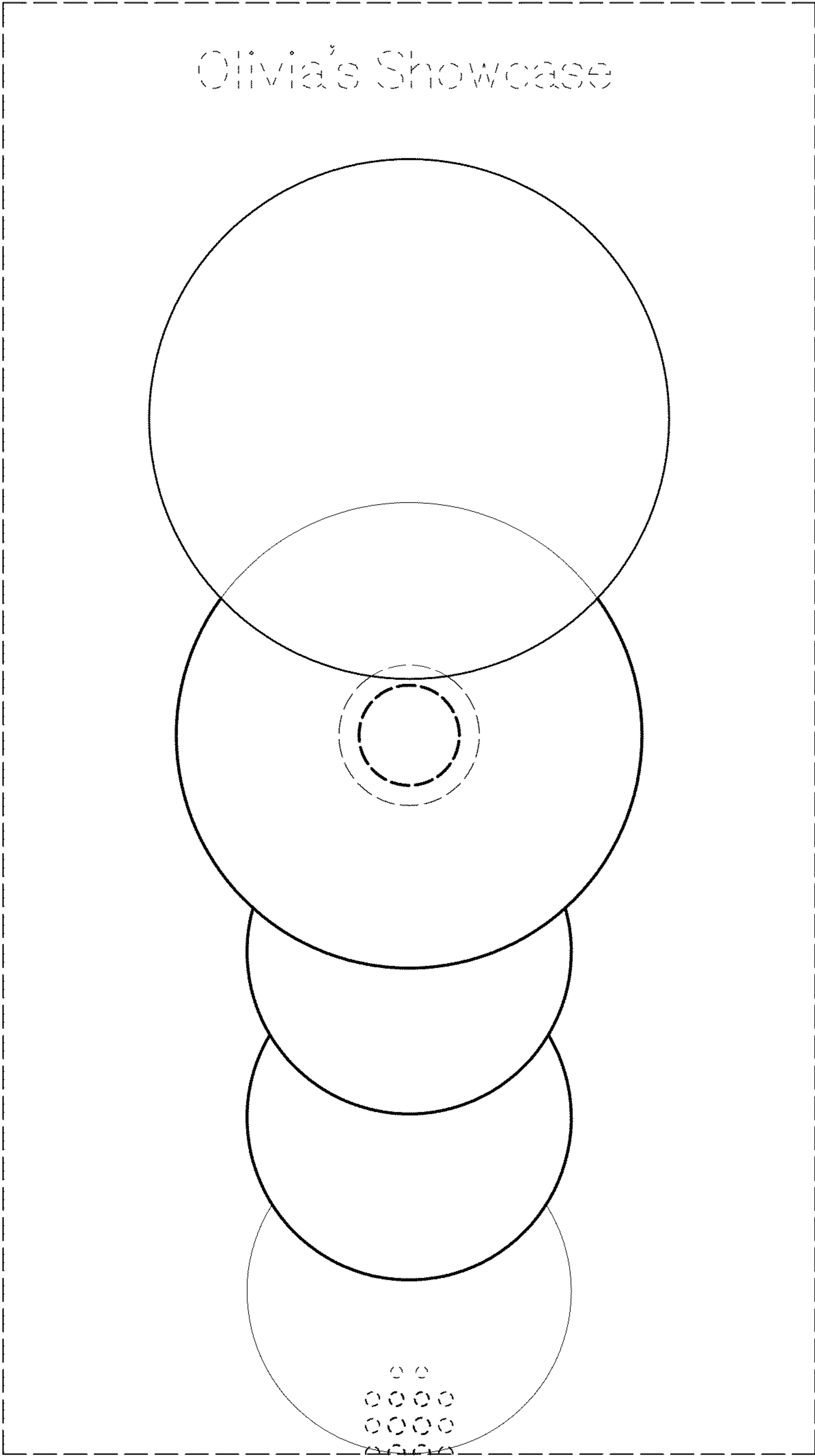


FIG. 3

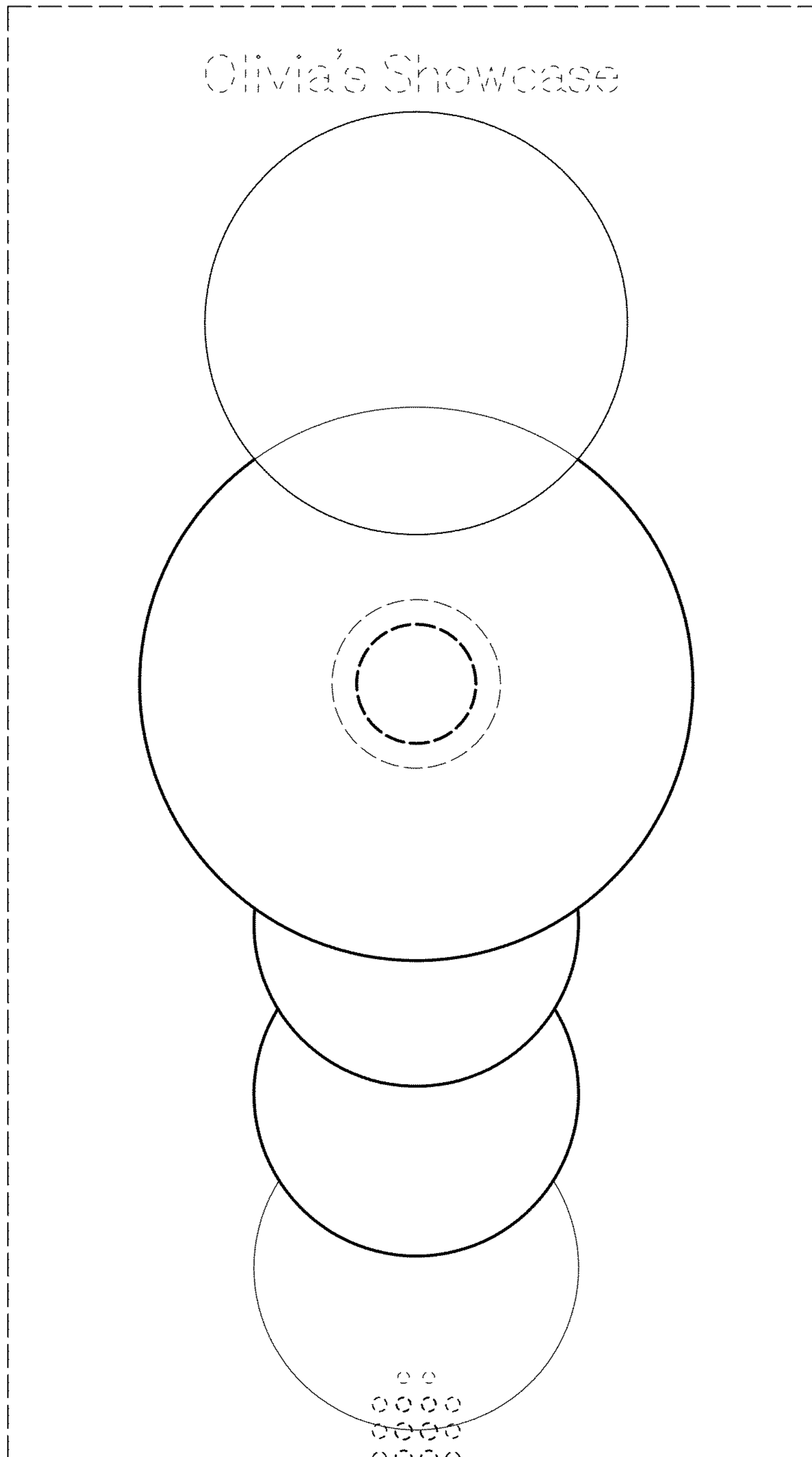


FIG. 4

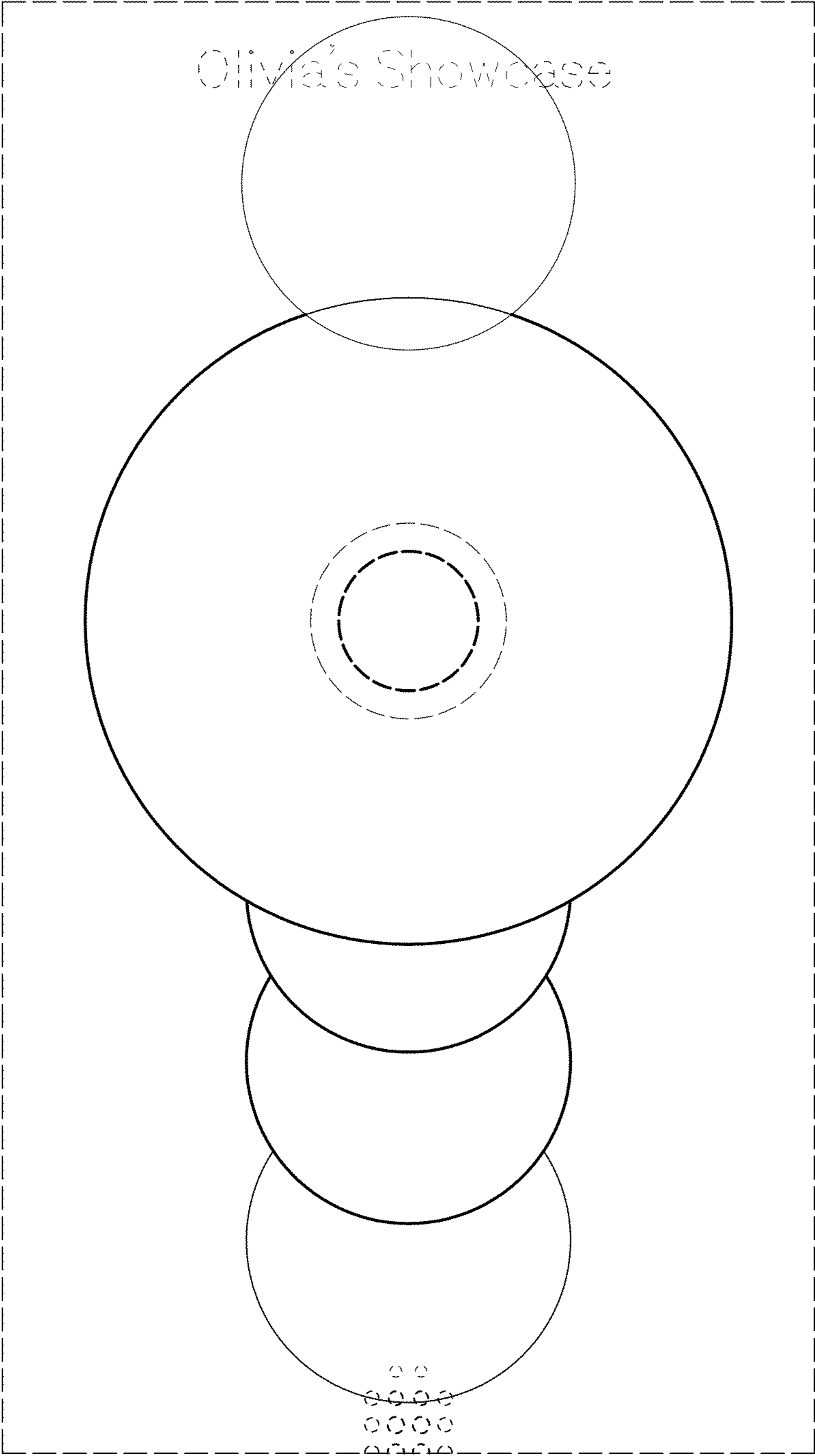


FIG. 5

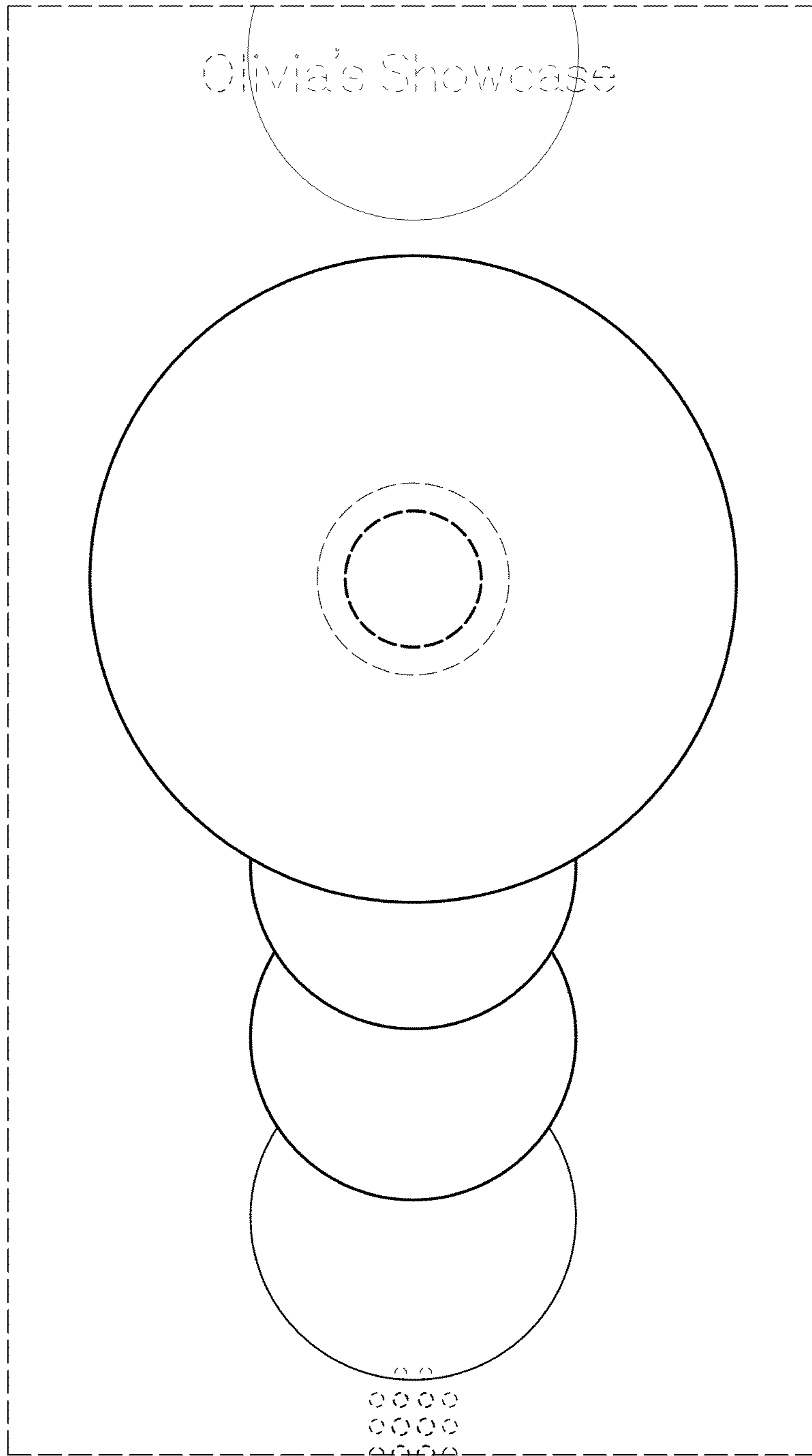


FIG. 6

