



US00D759672S

(12) **United States Design Patent**
Birks et al.

(10) **Patent No.:** **US D759,672 S**
(45) **Date of Patent:** **** Jun. 21, 2016**

(54) **DISPLAY SCREEN WITH ANIMATED GRAPHICAL USER INTERFACE**

(71) Applicant: **EndGame Design Laboratories, LLC**,
Hoboken, NJ (US)

(72) Inventors: **Jessica Markim Birks**, Hoboken, NJ
(US); **David Jude Lubert**, Hoboken, NJ
(US)

(73) Assignee: **EndGame Design Laboratories, LLC**,
Hoboken, NJ (US)

(**) Term: **14 Years**

(21) Appl. No.: **29/506,338**

(22) Filed: **Oct. 15, 2014**

(51) **LOC (10) Cl.** **14-04**

(52) **U.S. Cl.**
USPC **D14/485**; D14/489

(58) **Field of Classification Search**
USPC D14/485-495; 715/772, 786, 830, 833,
715/834

CPC . G06F 1/1692; G06F 3/04847; G06F 3/0481;
G06F 3/03547; G06Q 10/063114; H04N
1/00477; G11B 27/34; B66B 3/023

See application file for complete search history.

(56) **References Cited**

U.S. PATENT DOCUMENTS

- D451,928 S * 12/2001 Van Huong D14/485
- 7,040,459 B2 * 5/2006 Matsuda B66B 3/023
187/394
- D553,147 S * 10/2007 Hally D14/487
- 7,831,921 B2 * 11/2010 Wulfe G06F 9/4443
715/764
- D628,584 S * 12/2010 Umezawa D14/489
- D658,679 S * 5/2012 Davydov D14/489
- D681,667 S * 5/2013 Phelan D14/489
- D697,525 S * 1/2014 Nishizawa D14/487
- D698,809 S * 2/2014 Funabashi D14/487

- D698,817 S * 2/2014 Laverack D14/489
- D701,882 S * 4/2014 Soegiono D14/489
- D704,734 S * 5/2014 Wafapoor D14/489
- 8,717,301 B2 * 5/2014 Sakata G06F 3/0488
345/173
- D710,883 S * 8/2014 Francisco D14/489
- D710,892 S * 8/2014 Hollobaugh D14/490

(Continued)

OTHER PUBLICATIONS

7 Killer User Interface Designs for Gestures (on-line), posted Jul. 17, 2012. Retrieved from Internet Feb. 18, 2016, URL: <http://www.freshtilledsoil.com/7-killer-graphical-user-interface-designs-for-gestures/> (2 pages).*

U.S. Appl. No. 29/506,331, Inventors: Jessica Markim Birks and David Jude Lubert, "Display Screen with User Interface", filed Oct. 15, 2014.*

Primary Examiner — Karen E. Eldridge Powers

Assistant Examiner — Kimberly Barnes

(74) *Attorney, Agent, or Firm* — Finnegan, Henderson, Farabow, Garrett & Dunner, LLP

(57) **CLAIM**

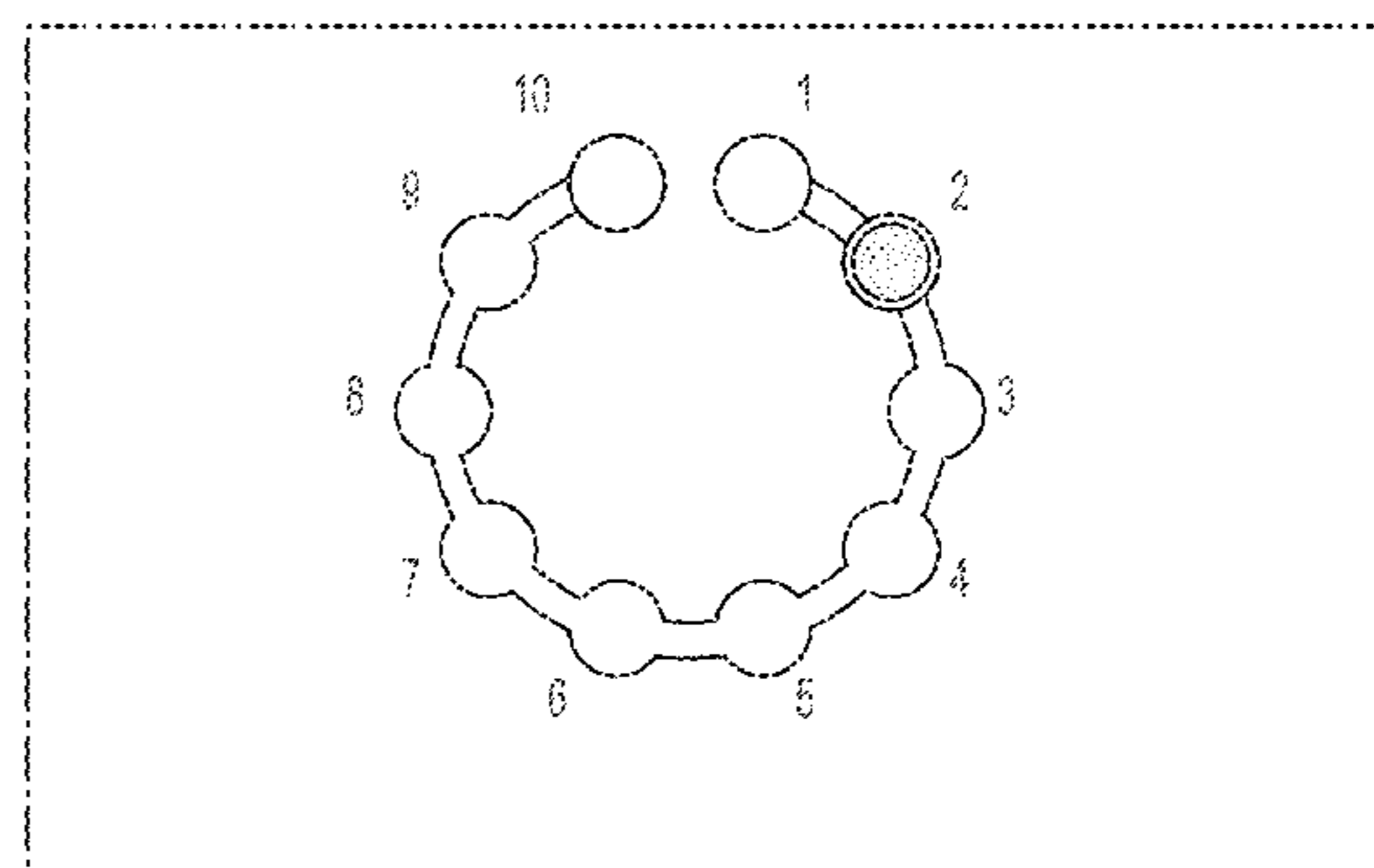
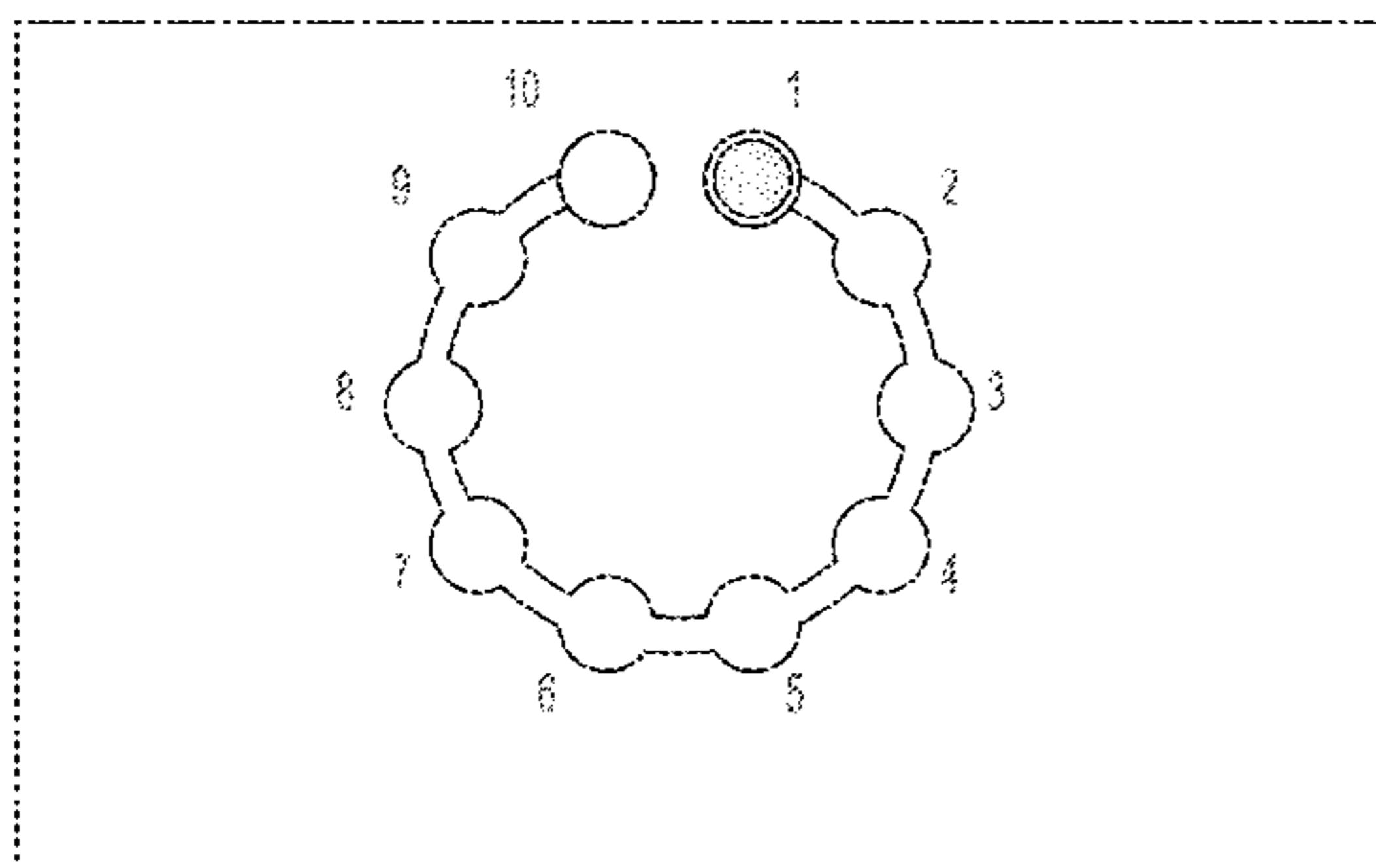
The ornamental design for a display screen with animated graphical user interface, as shown and described.

DESCRIPTION

FIG. 1 is a front view of a first image of a display screen with animated graphical user interface showing our new design; FIG. 2 is a front view of a second image thereof; FIG. 3 is a front view of a third image thereof; FIG. 4 is a front view of a fourth image thereof; and, FIG. 5 is a front view of a fifth image thereof.

The broken lines of uneven length show the display screen and form no part of the claimed design. The broken lines of even length show in the drawing illustrates portions of the display screen with user interface that form no part of the claimed design.

1 Claim, 5 Drawing Sheets



(56)

References Cited

U.S. PATENT DOCUMENTS

D716,326 S *	10/2014	Lee	D14/486	2009/0213086 A1 *	8/2009	Chae	G06F 3/0482 345/173
D731,520 S *	6/2015	Xiong	D14/487	2010/0083180 A1 *	4/2010	Matsubara	G06F 3/0481 715/834
D732,575 S *	6/2015	Vardy	D14/489	2012/0113147 A1 *	5/2012	Virtanen	G06F 3/0482 345/650
D737,321 S *	8/2015	Lee	D14/492	2013/0082965 A1 *	4/2013	Wada	G06F 3/04883 345/173
D739,874 S *	9/2015	Bray	D14/489	2013/0198691 A1 *	8/2013	Akita	G06Q 10/0631 715/834
9,122,383 B2 *	9/2015	Kamath	G06F 3/04847	2015/0331589 A1 *	11/2015	Kawakita	G06F 3/04842 715/834
D747,355 S *	1/2016	Lee	D14/495					
D747,735 S *	1/2016	Jung	D14/489					
2009/0153527 A1 *	6/2009	Paczkowski	G06F 3/03547 345/184					

* cited by examiner

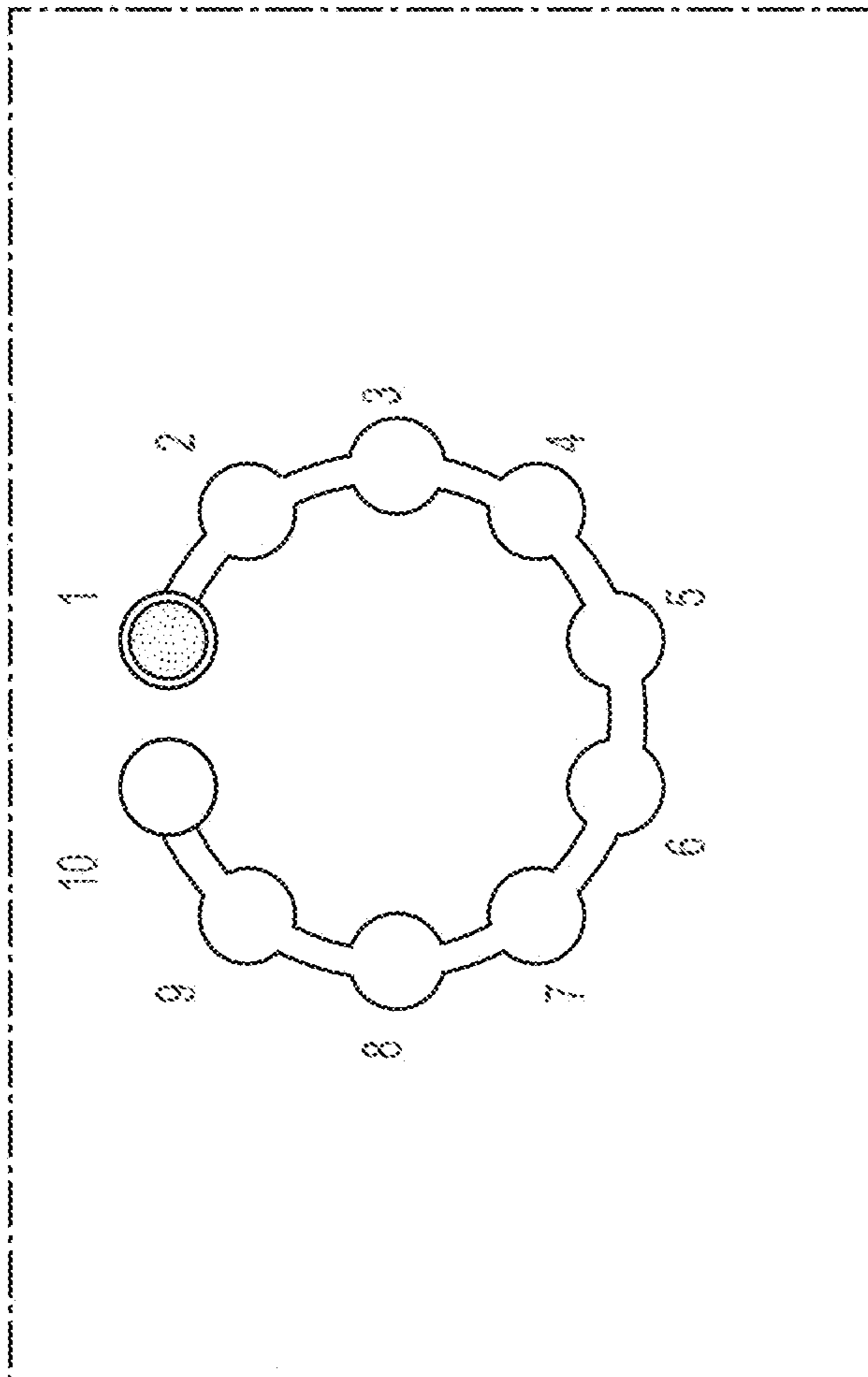


FIG. 1

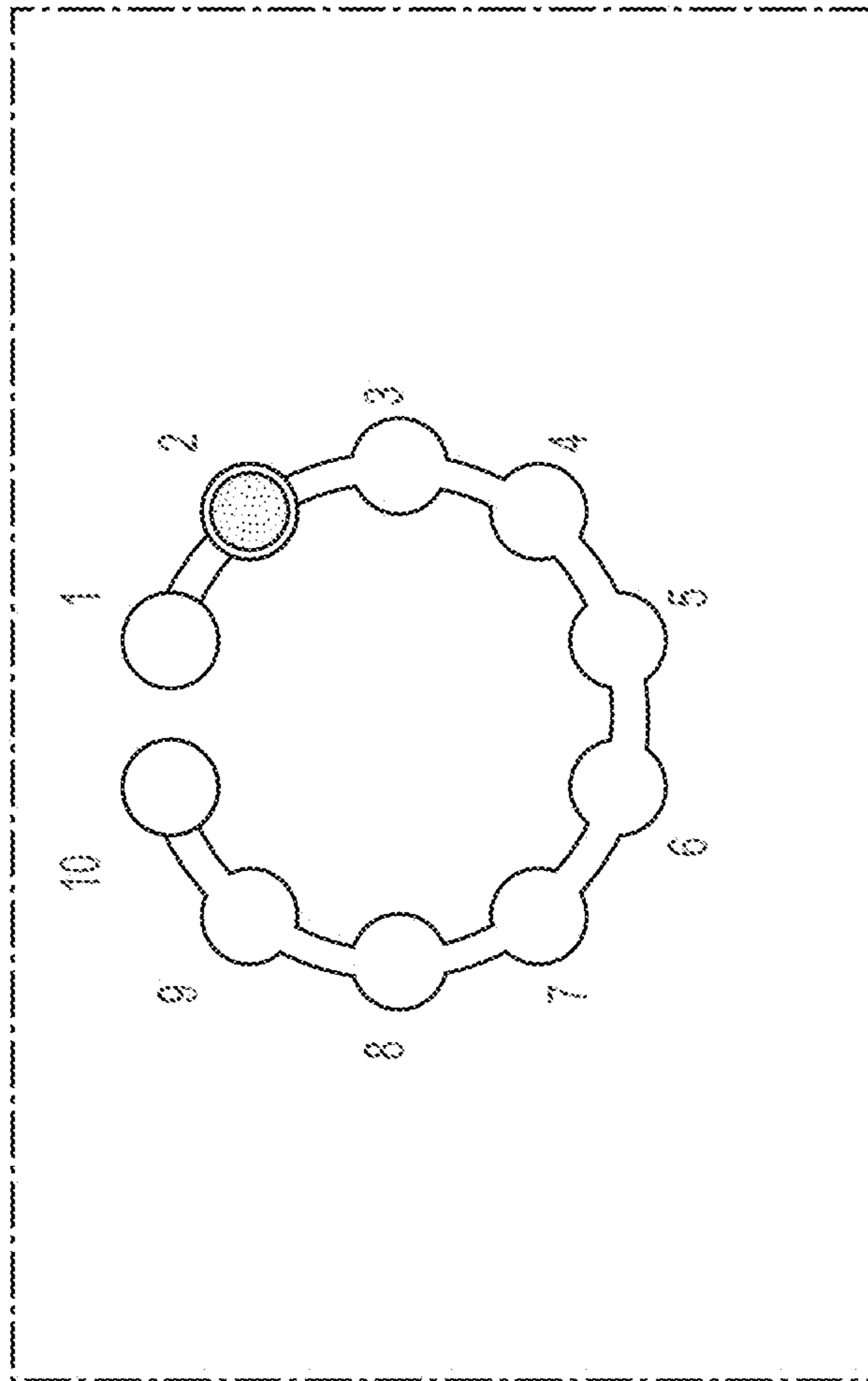


FIG. 2

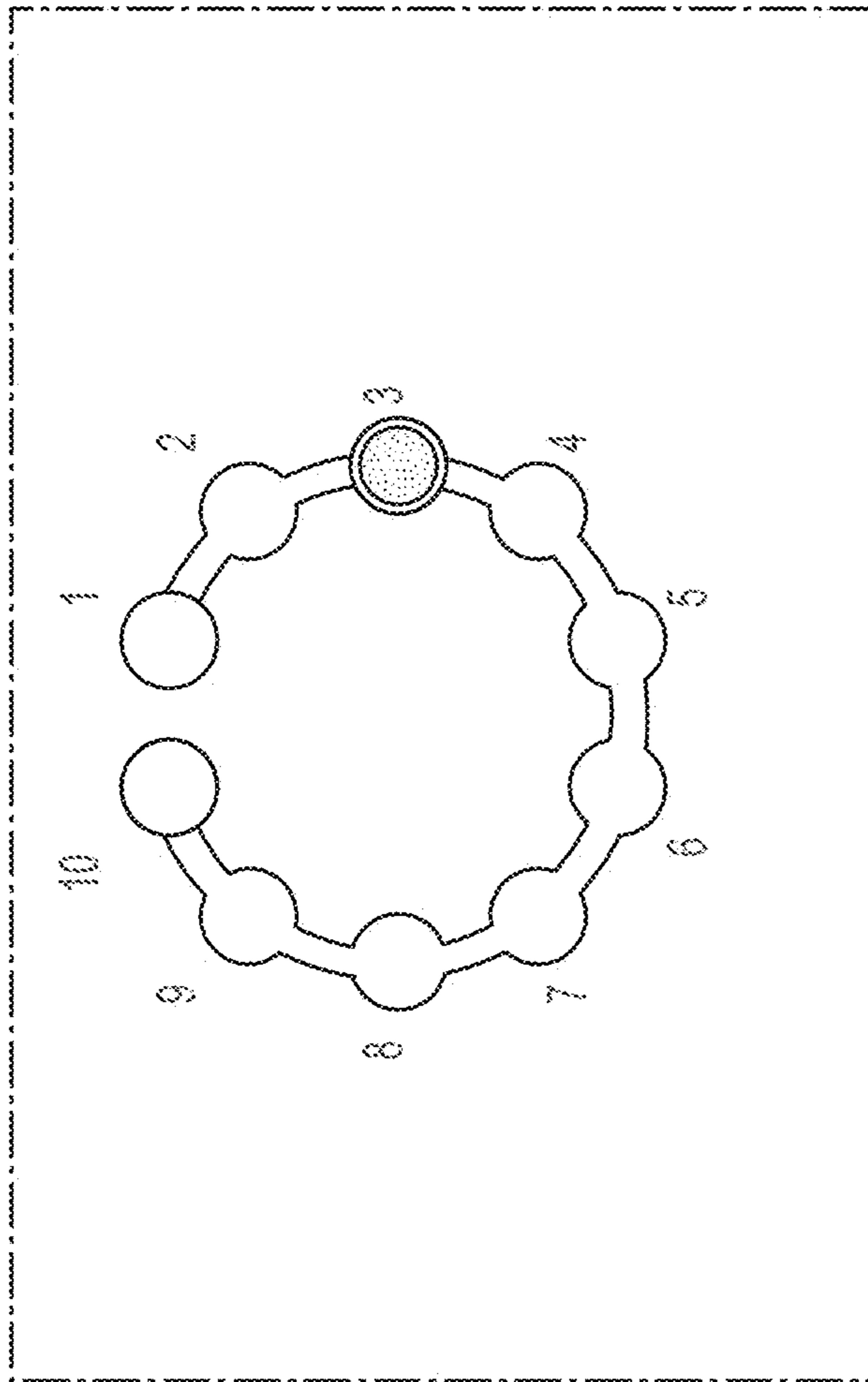


FIG. 3

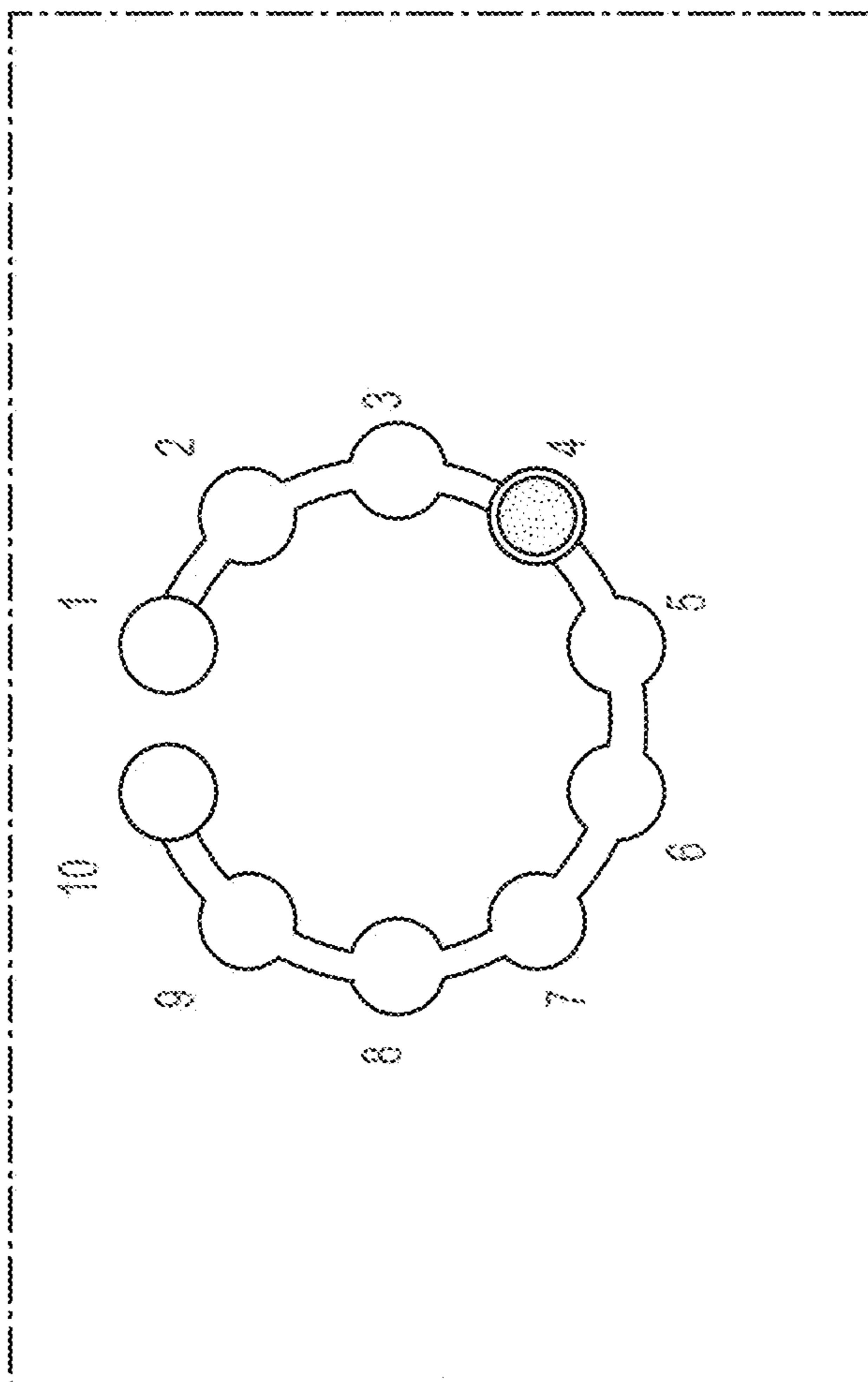


FIG. 4

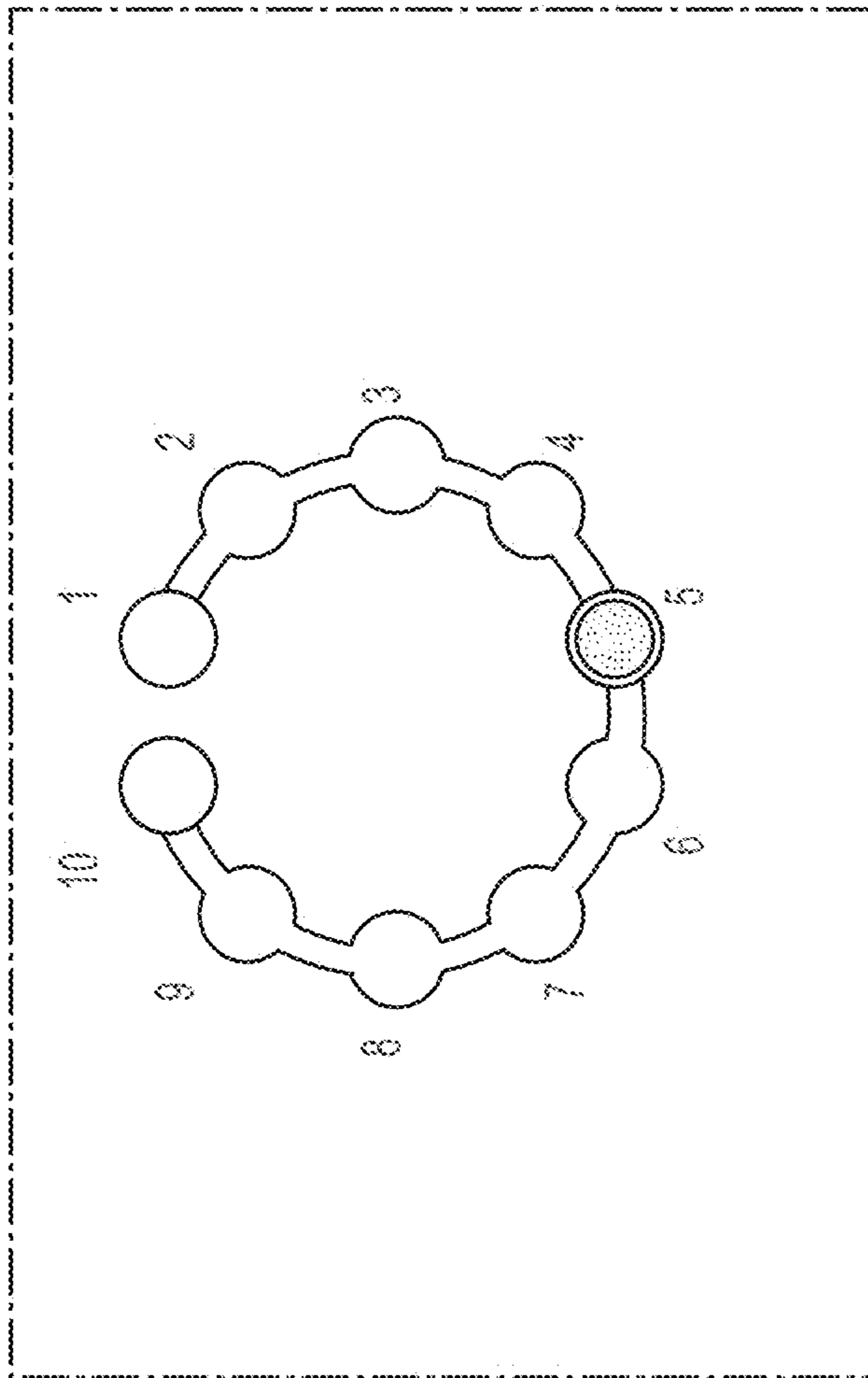


FIG. 5