



US00D759661S

(12) **United States Design Patent**
Liao

(10) **Patent No.:** **US D759,661 S**
(45) **Date of Patent:** **** Jun. 21, 2016**

(54) **FLASH MEMORY STORAGE DEVICE**

(71) Applicant: **Zhuowen Liao**, Shenzhen (CN)

(72) Inventor: **Zhuowen Liao**, Shenzhen (CN)

(**) Term: **14 Years**

(21) Appl. No.: **29/523,755**

(22) Filed: **Apr. 14, 2015**

(30) **Foreign Application Priority Data**

Mar. 4, 2015 (CN) 2015 3 0053252

(51) **LOC (10) Cl.** **14-03**

(52) **U.S. Cl.**
USPC **D14/480.7**

(58) **Field of Classification Search**
USPC D14/435.1, 480.1–480.7, 411, 433, 436,
D14/484.1, 137, 155, 203.1–203.8, 240,
D14/242, 133, 154
CPC H05K 5/0278; G06K 19/07732
See application file for complete search history.

(56) **References Cited**

U.S. PATENT DOCUMENTS

D470,499 S * 2/2003 Salazar D14/433
D494,969 S * 8/2004 Lin D14/480.7
D526,321 S * 8/2006 Hayes D14/435
D546,328 S * 7/2007 Kobayakawa D14/480.4
D575,288 S * 8/2008 Chen D14/432
D602,941 S * 10/2009 Lo D14/480.7

7,787,243 B2 * 8/2010 Salazar G06F 13/378
361/679.31
D634,326 S * 3/2011 Gehrke D14/435.1
D639,303 S * 6/2011 Ni D14/480.7
D685,809 S * 7/2013 Billington D14/480.7
2009/0042433 A1 * 2/2009 Bushby H01R 13/4538
439/352
2010/0181377 A1 * 7/2010 Chen G06K 7/0004
235/440
2012/0052703 A1 * 3/2012 Kim G06K 19/07732
439/131

* cited by examiner

Primary Examiner — Angela J Lee

(74) *Attorney, Agent, or Firm* — Roger H. Chu

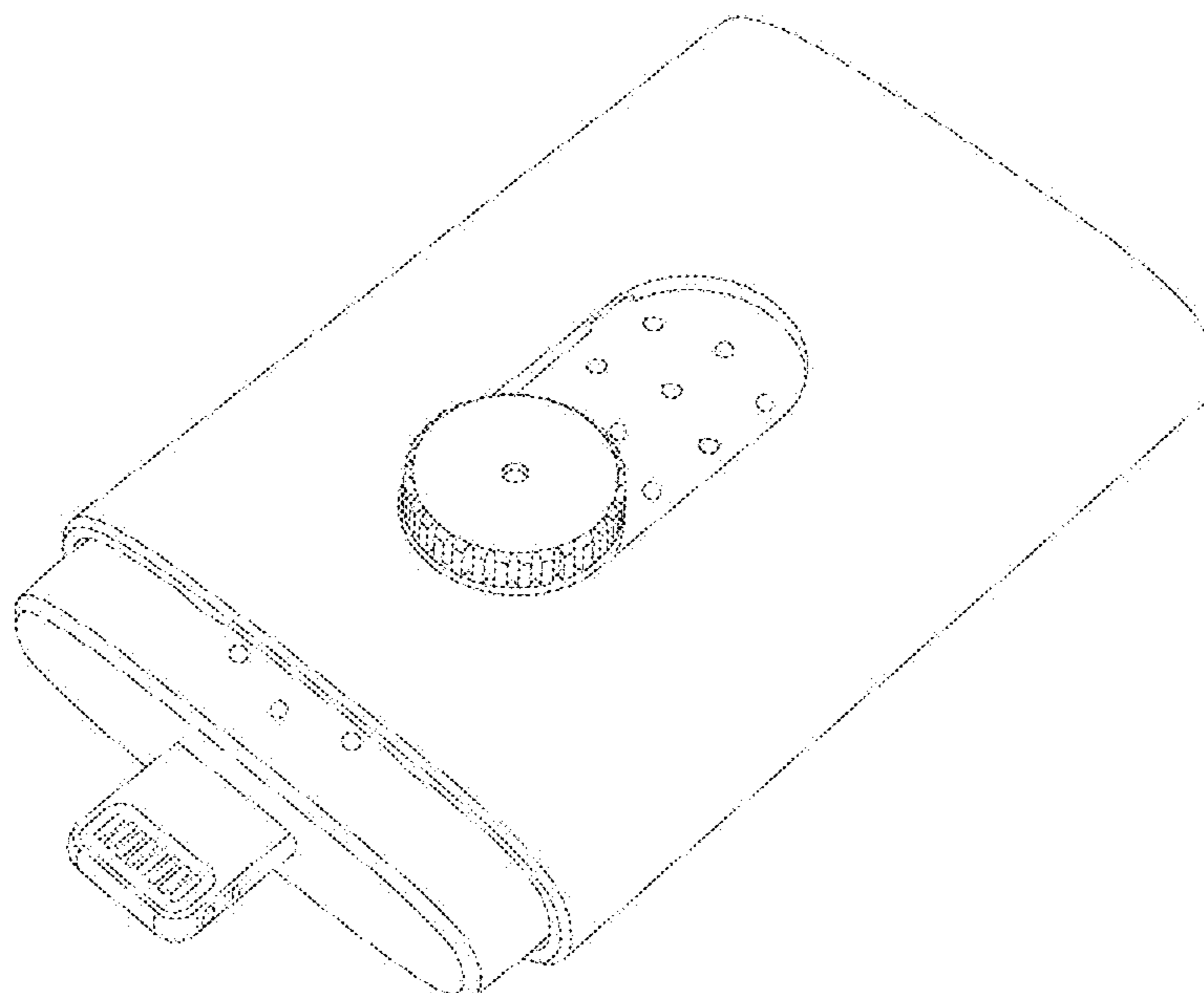
(57) **CLAIM**

The ornamental design for flash memory storage device, as shown and described.

DESCRIPTION

FIG. 1 is a perspective view of a flash memory storage device showing my design in a first configuration;
FIG. 2 is a first perspective view showing my design in a second configuration;
FIG. 3 is a second perspective view of the second configuration;
FIG. 4 is a perspective view showing my design in a third configuration;
FIG. 5 is a top view of the first configuration;
FIG. 6 is a bottom view of the first configuration;
FIG. 7 is a side view of the first configuration, left and right side views being mirror images to each other;
FIG. 8 is a front view of the first configuration; and,
FIG. 9 is a rear view of the first configuration.

1 Claim, 8 Drawing Sheets



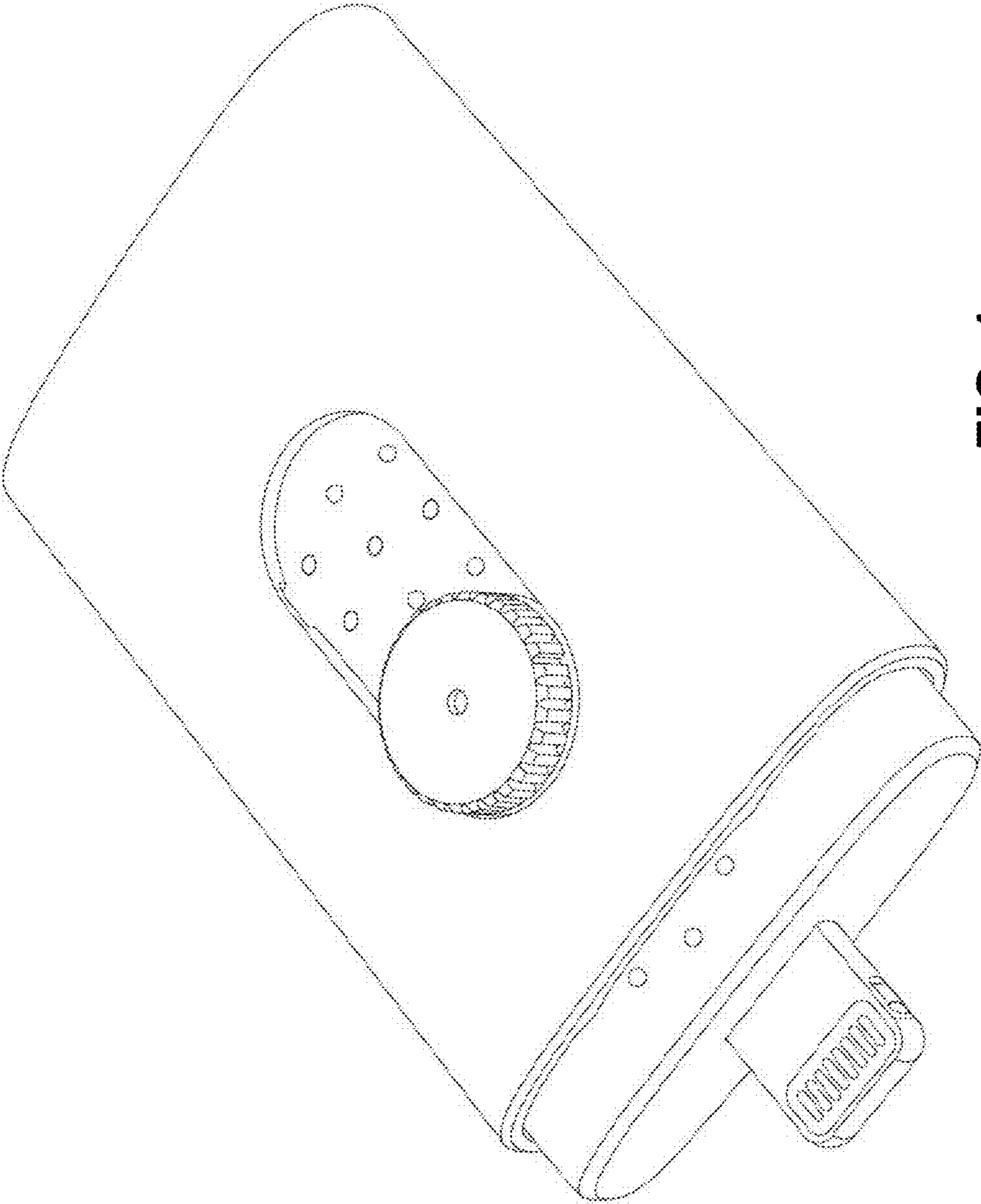


FIG. 1

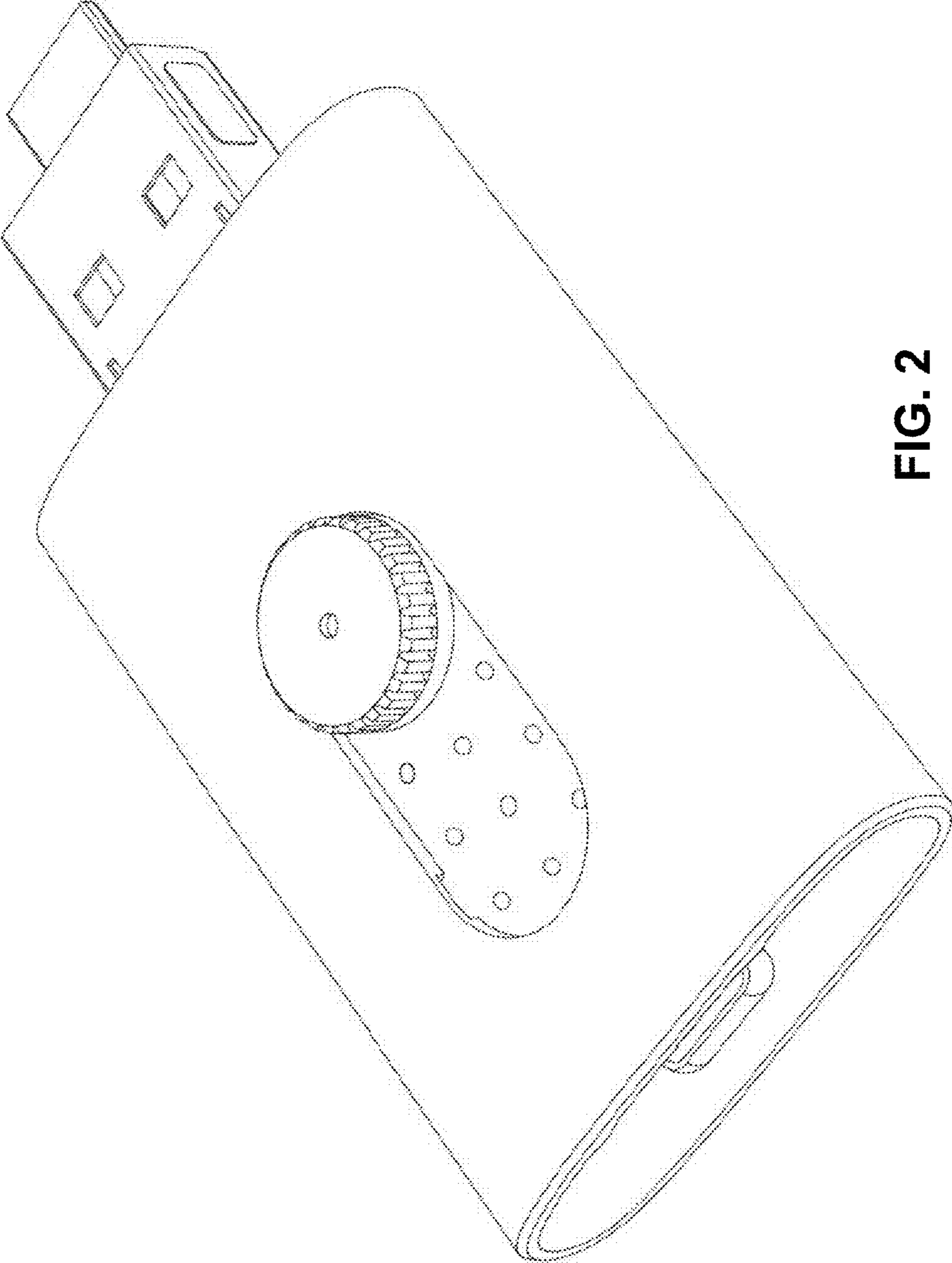


FIG. 2

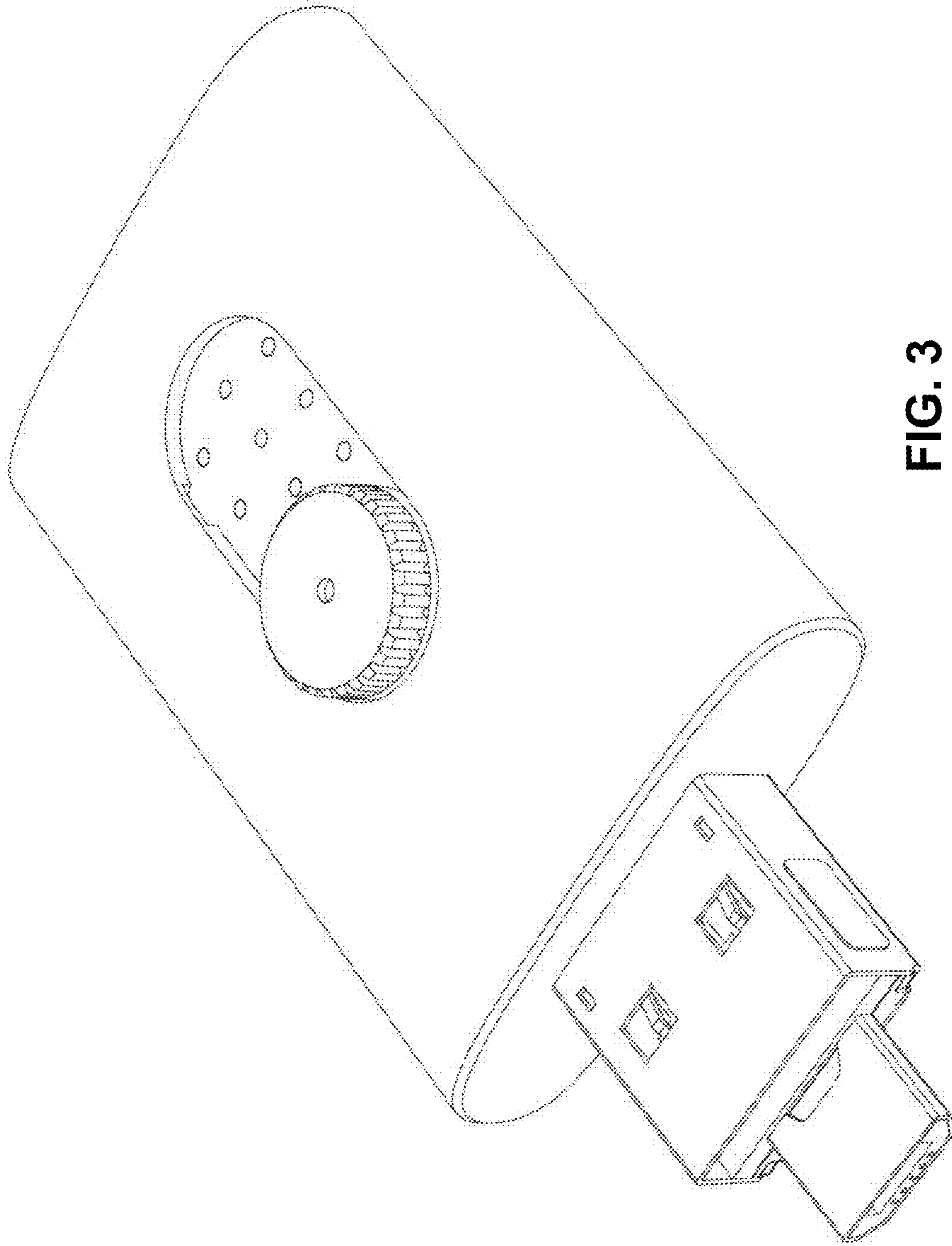


FIG. 3

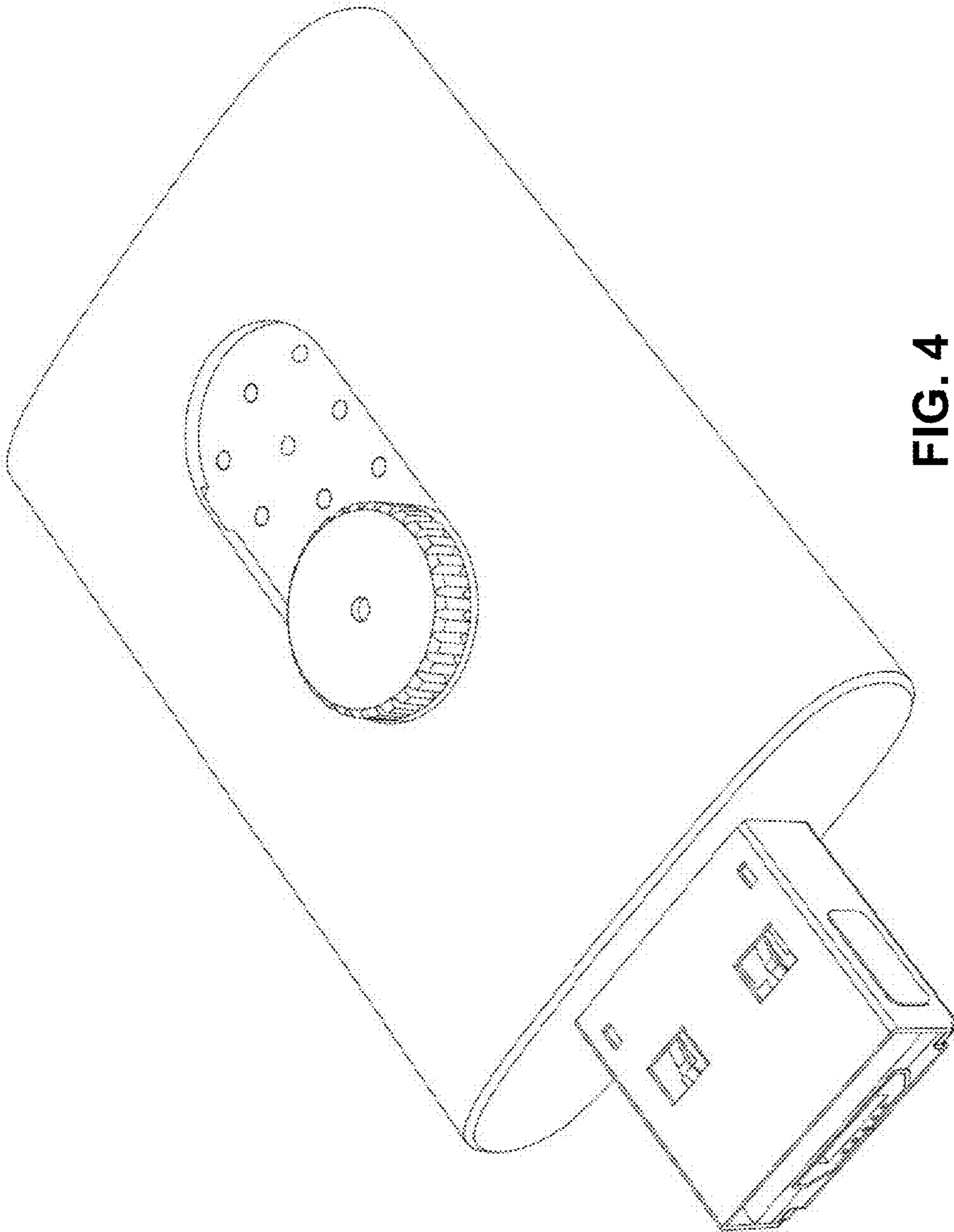


FIG. 4

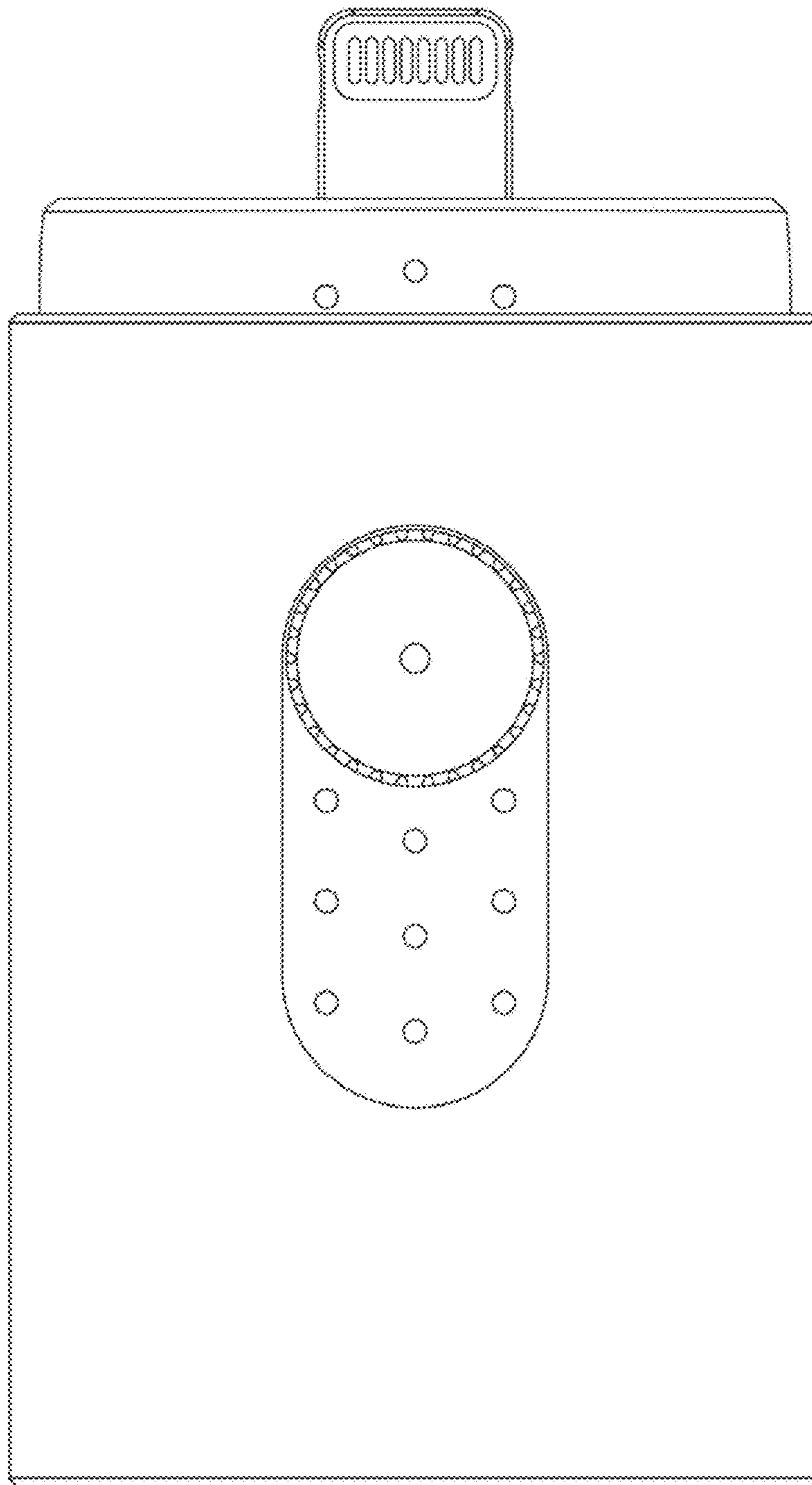


FIG. 5



FIG. 6

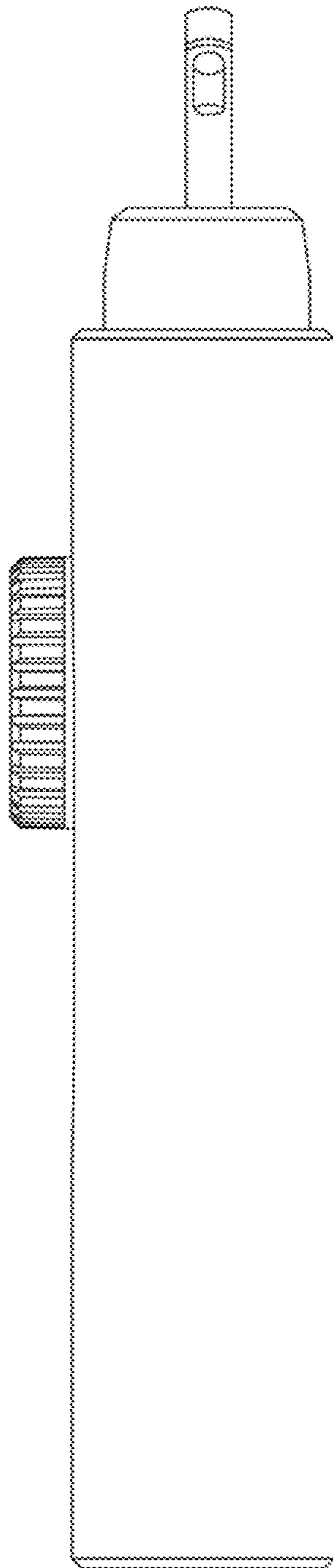


FIG. 7

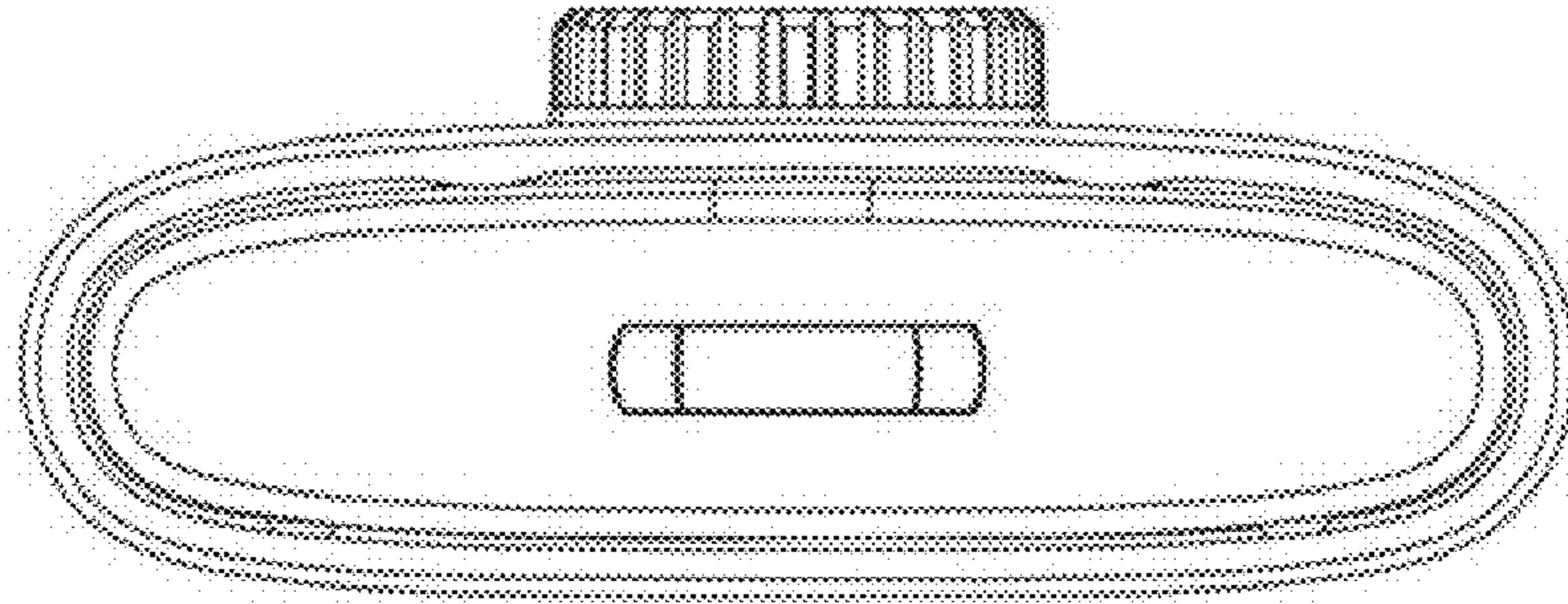


FIG. 8

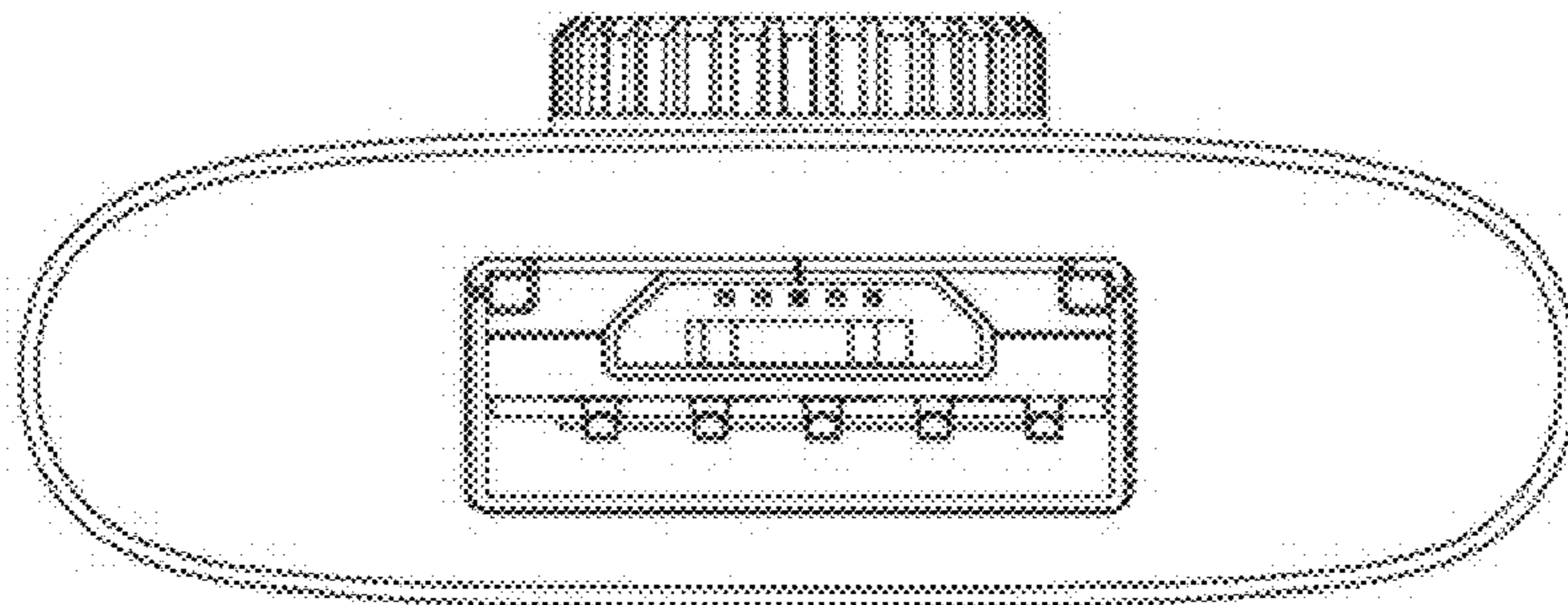


FIG. 9