



US00D759660S

(12) **United States Design Patent**
Huang

(10) **Patent No.:** **US D759,660 S**
(45) **Date of Patent:** **** Jun. 21, 2016**

(54) **USB FLASH DRIVE**
(71) Applicant: **HO-E CO., LTD.**, Taoyuan (TW)
(72) Inventor: **Joseph Huang**, Taoyuan (TW)
(73) Assignee: **HO-E CO., LTD.**, Taoyuan (TW)
(**) Term: **14 Years**

(21) Appl. No.: **29/521,372**
(22) Filed: **Mar. 23, 2015**

(30) **Foreign Application Priority Data**
Oct. 1, 2014 (TW) 103305803
(51) **LOC (10) Cl.** **14-03**
(52) **U.S. Cl.**
USPC **D14/480.5**
(58) **Field of Classification Search**
USPC D14/435.1, 480.1–480.7, 411, 433, 436,
D14/484.1, 137, 155, 203.1–203.8, 240,
D14/242, 133, 154
CPC H05K 5/0278; G06K 19/07732
See application file for complete search history.

(56) **References Cited**
U.S. PATENT DOCUMENTS
D542,787 S * 5/2007 Siu D14/480.5
D610,134 S * 2/2010 Gotzen D14/188
D610,156 S * 2/2010 Mudrick D14/480.5
D630,640 S * 1/2011 Kuo D14/480.5
D654,923 S * 2/2012 Pan D14/480.6
D675,630 S * 2/2013 Ni D14/480.1
D720,761 S * 1/2015 Winzenried D14/480.5
D724,601 S * 3/2015 Hsieh D14/480.3

2004/0083320 A1* 4/2004 Yu A44B 11/005
710/62
2005/0029137 A1* 2/2005 Wang H05K 5/0278
206/320
2007/0111583 A1* 5/2007 Cuellar H01R 13/447
439/353
2008/0237237 A1* 10/2008 Watson H05K 5/0278
220/375
2011/0312197 A1* 12/2011 Li H05K 5/0278
439/142

* cited by examiner

Primary Examiner — Angela J Lee
(74) *Attorney, Agent, or Firm* — Guice Patents PLLC

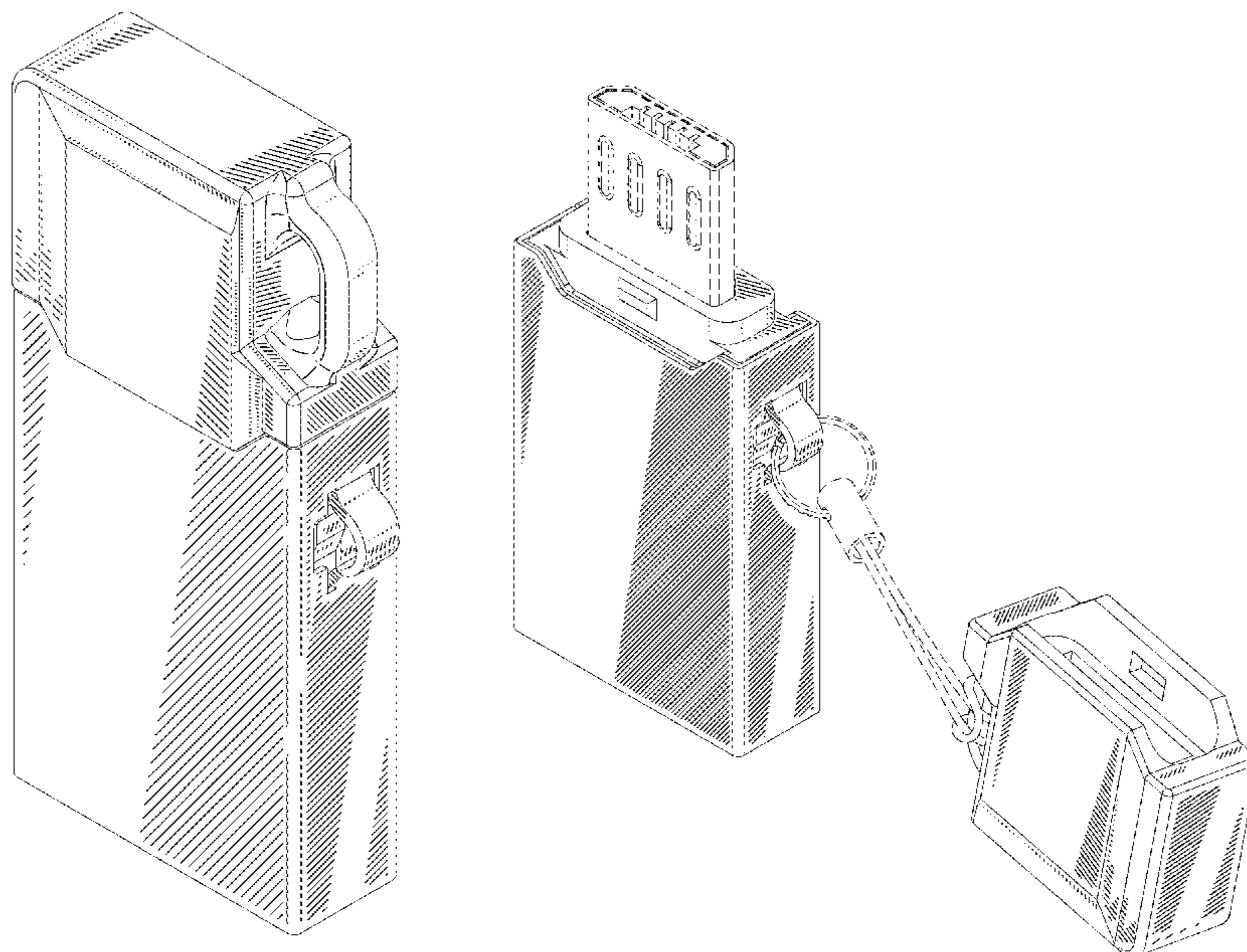
(57) **CLAIM**
The ornamental design for an USB flash drive, as shown and described.

DESCRIPTION

FIG. 1 is a perspective view of an USB flash drive showing my new design;
FIG. 2 is a front view thereof;
FIG. 3 is a rear view thereof;
FIG. 4 is a left side view thereof;
FIG. 5 is a right side view thereof;
FIG. 6 is a top view thereof;
FIG. 7 is a bottom view thereof; and,
FIG. 8 is a perspective view thereof, a cap is separated from the USB flash drive.

The broken line showings of the joining portion of a housing in FIG. 4, the inside of a connector in FIG. 7 and the connector and a strap in FIG. 8 are included for the purpose of illustrating portions of the USB flash drive and environmental structure and form no part of the claimed design.

1 Claim, 8 Drawing Sheets



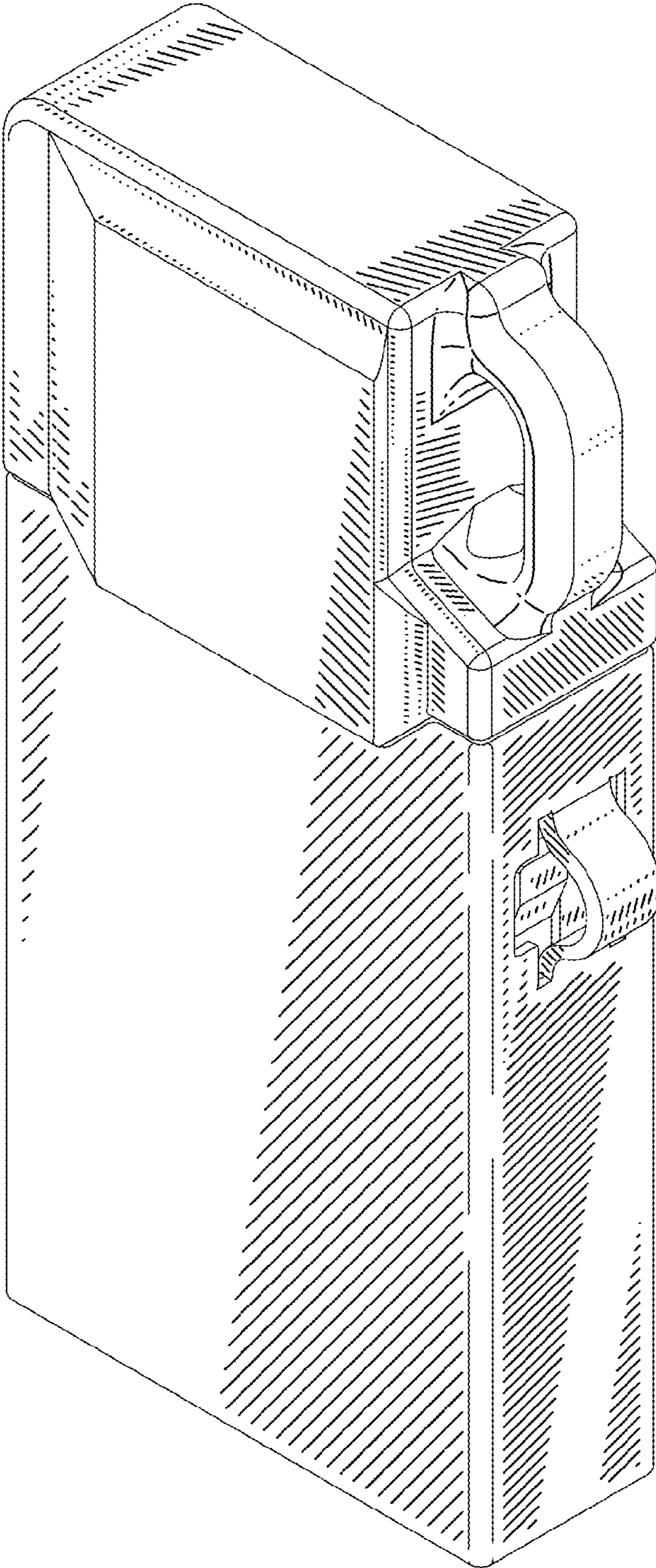


FIG. 1

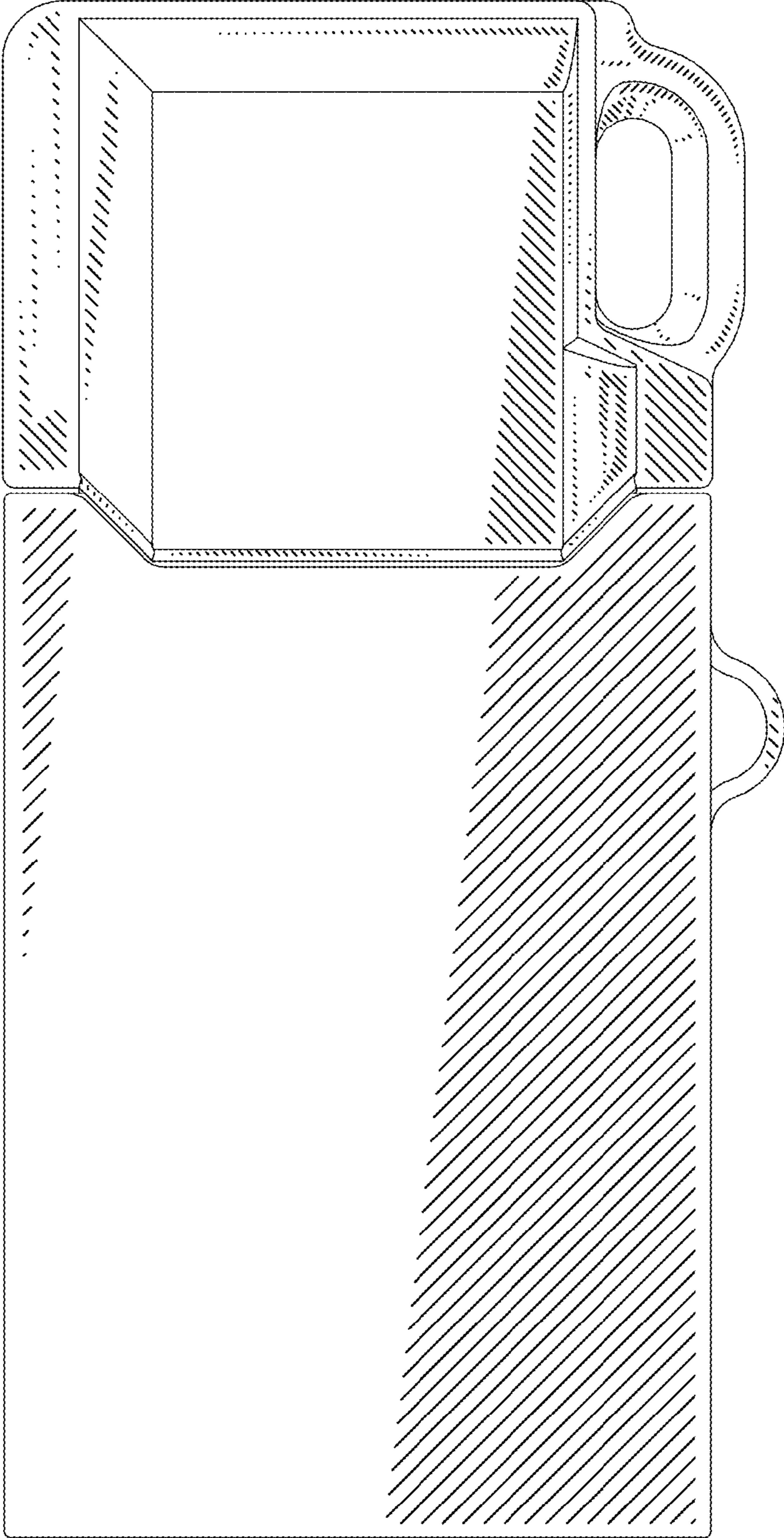


FIG. 2

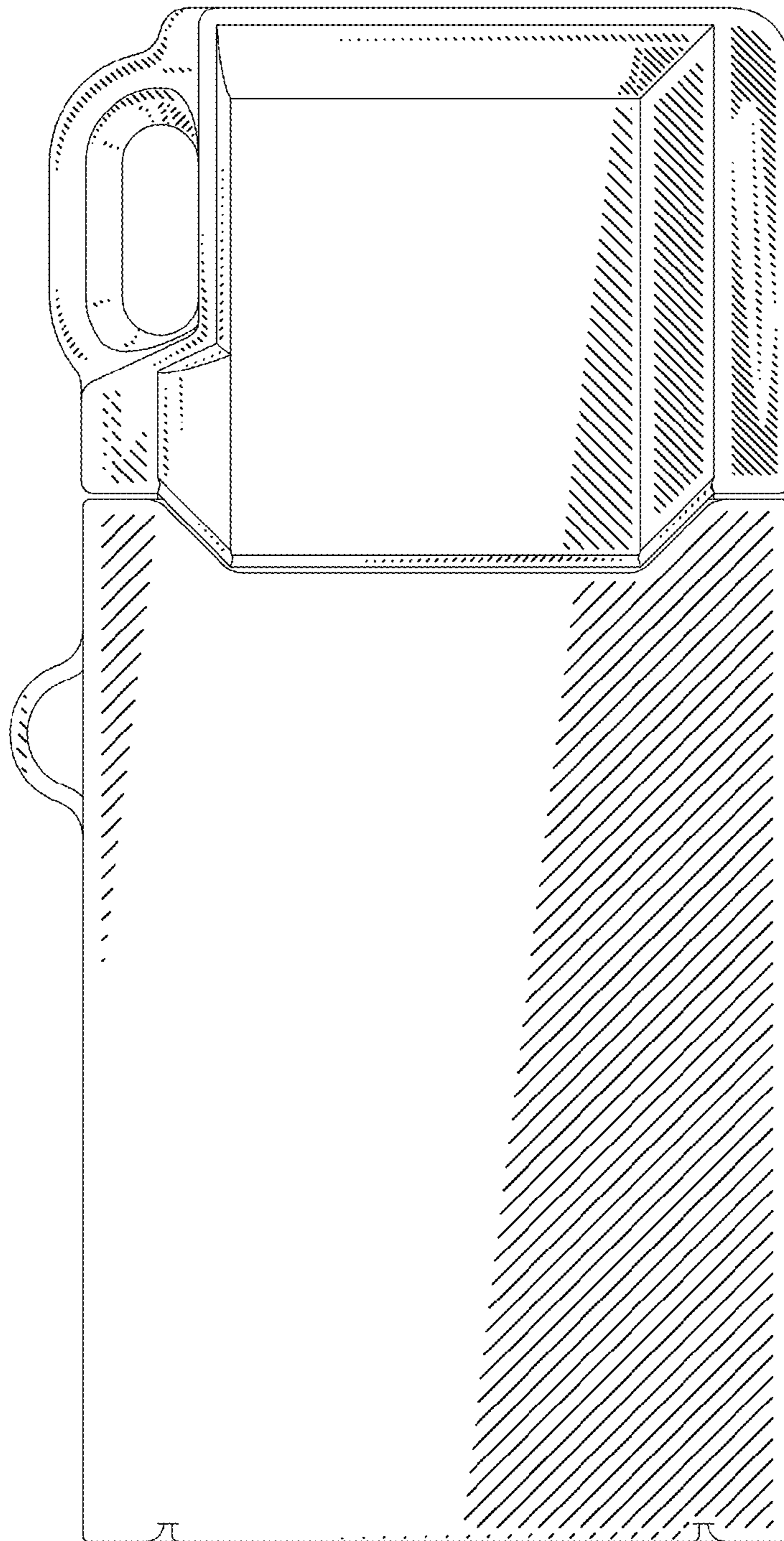


FIG. 3

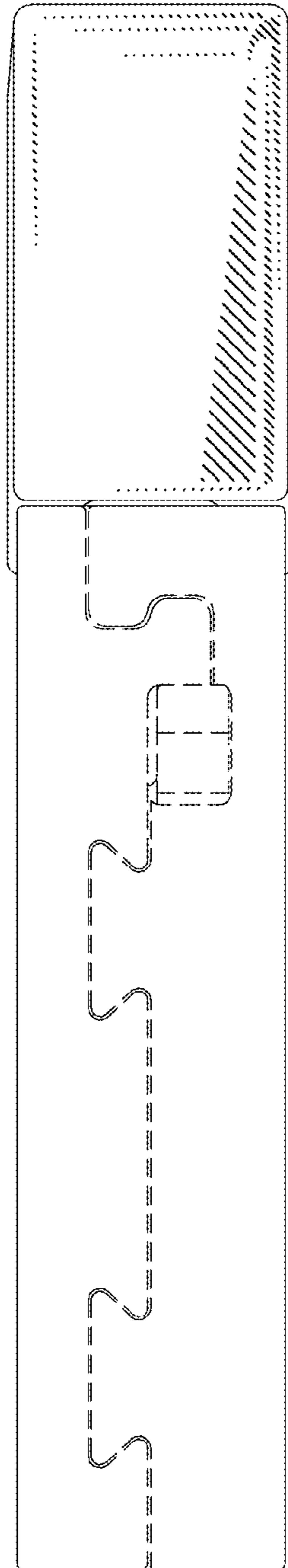


FIG. 4

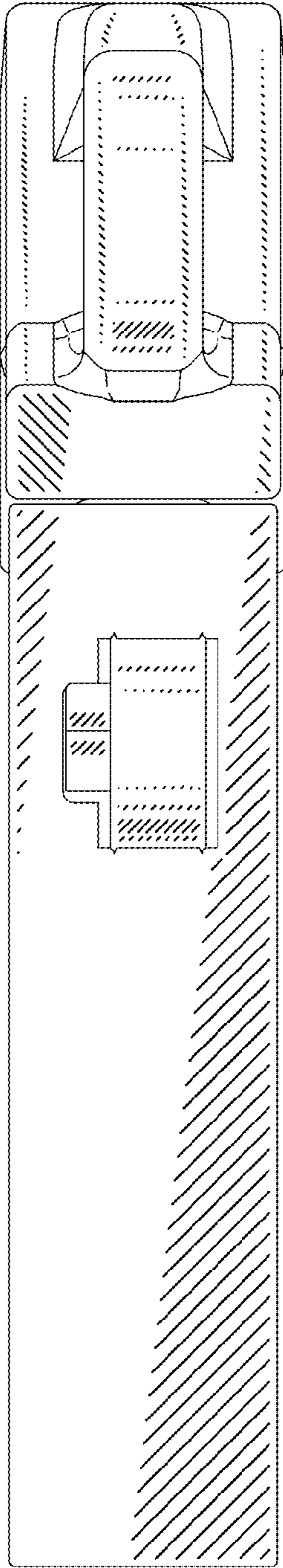


FIG. 5

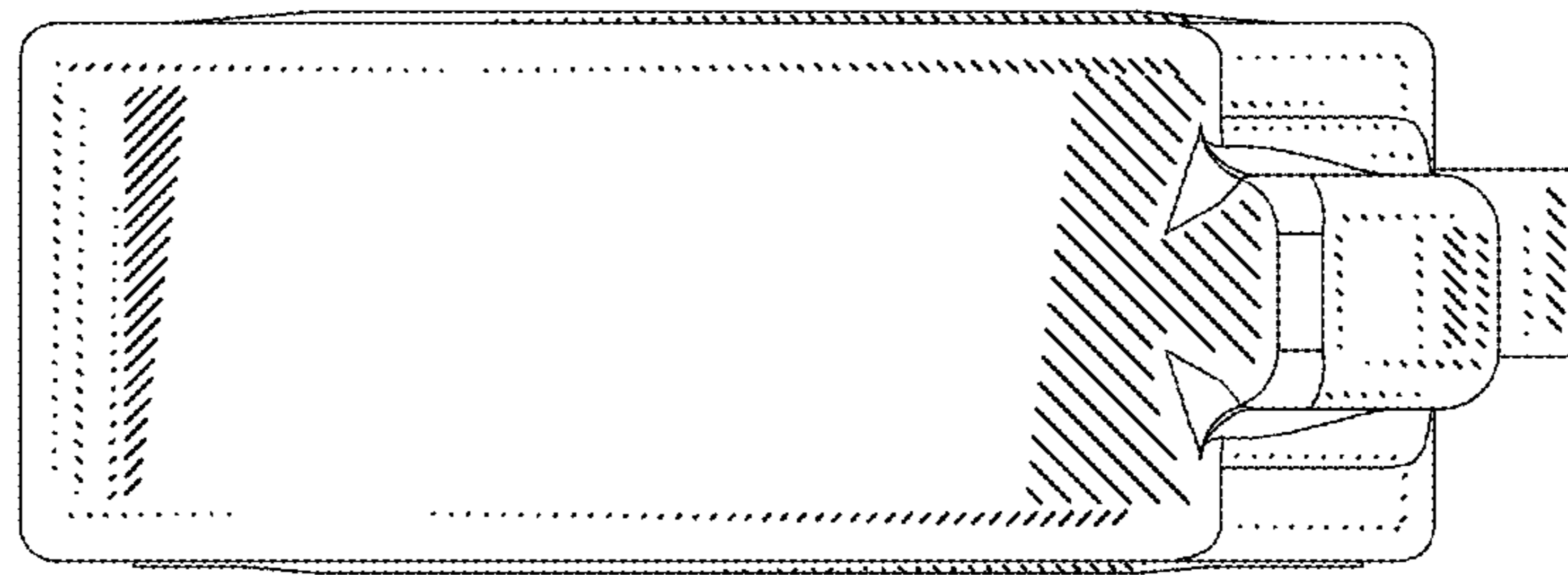


FIG. 6

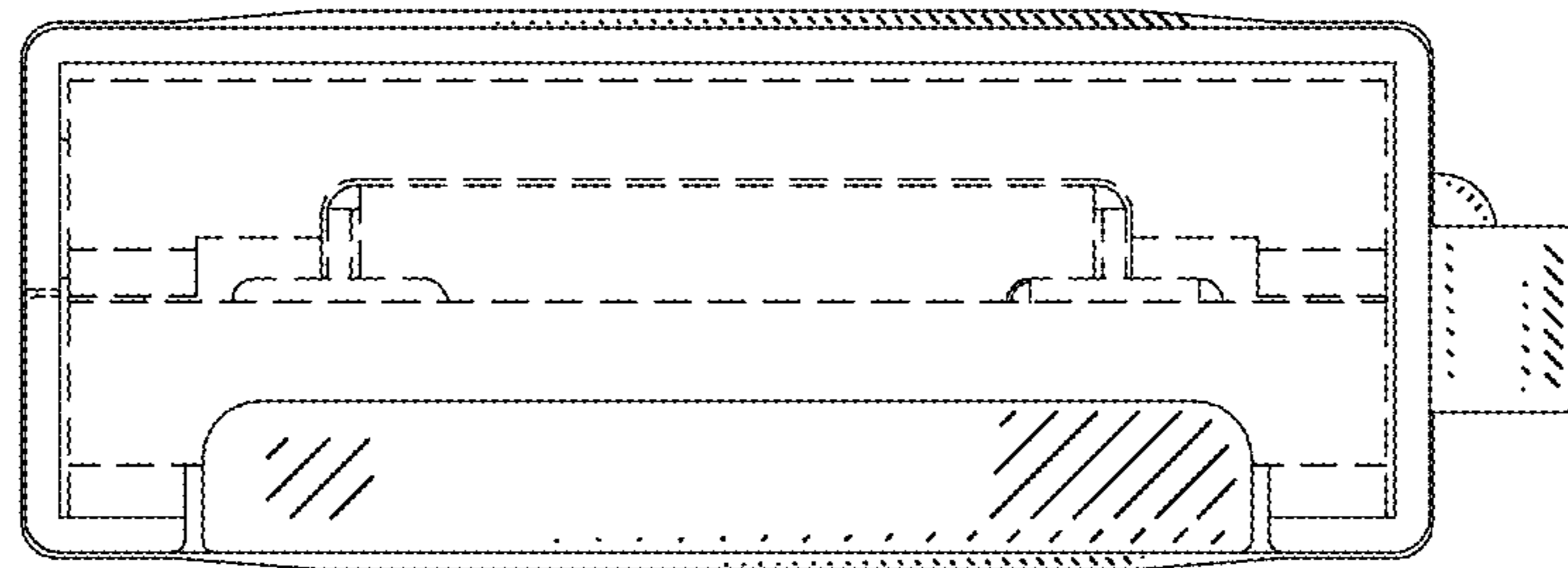


FIG. 7

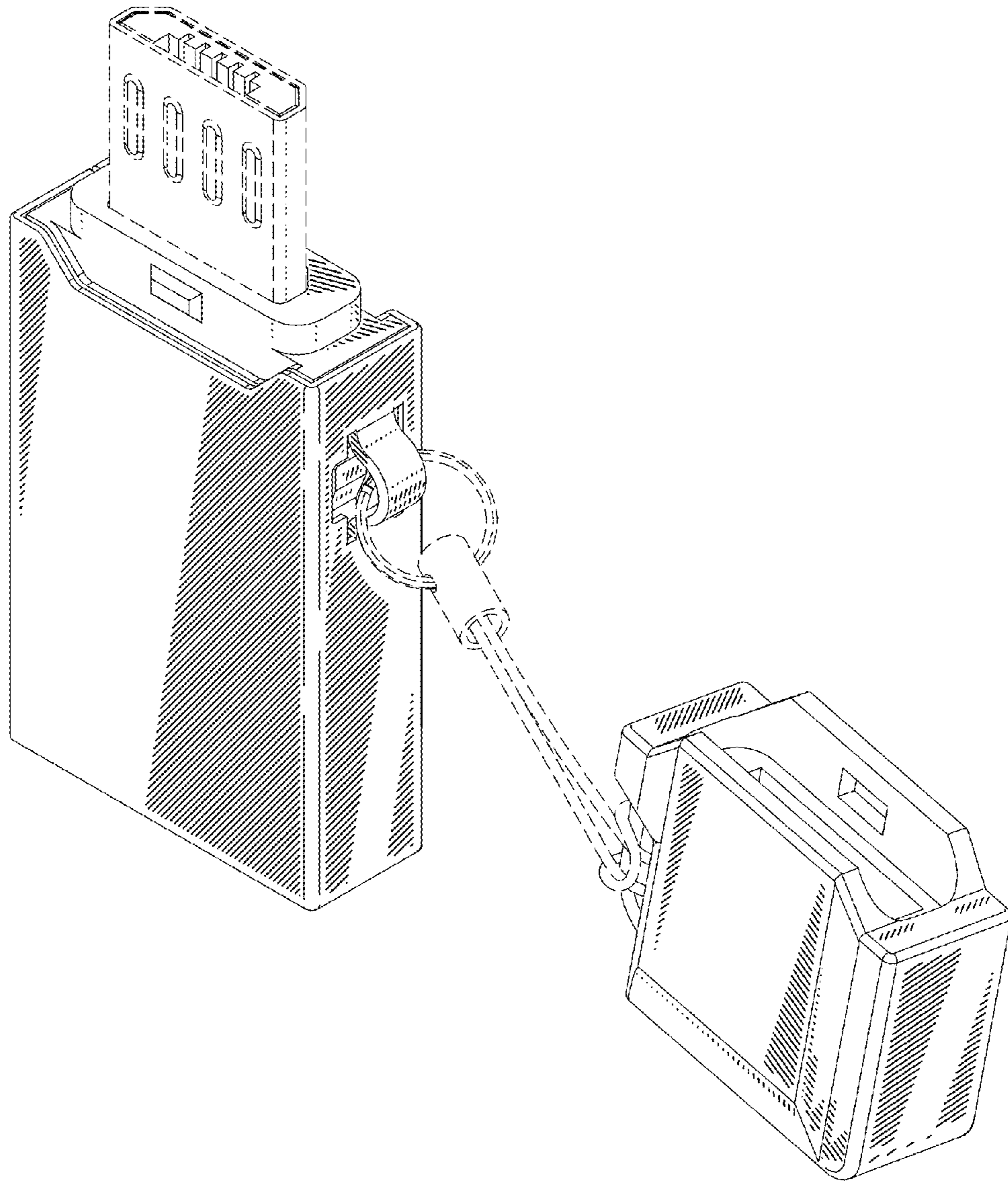


FIG. 8