



US00D759657S

(12) **United States Design Patent**
Kujawski et al.

(10) **Patent No.:** **US D759,657 S**
(45) **Date of Patent:** **** Jun. 21, 2016**

(54) **CONNECTOR WITH ILLUMINATION REGION**

(71) Applicant: **Microsoft Corporation**, Redmond, WA (US)

(72) Inventors: **Christopher Kujawski**, Redmond, WA (US); **Jan Raken**, Seattle, WA (US); **Ralf Groene**, Kirkland, WA (US)

(73) Assignee: **Microsoft Corporation**, Redmond, WA (US)

(**) Term: **14 Years**

(21) Appl. No.: **29/491,241**

(22) Filed: **May 19, 2014**

(51) **LOC (10) Cl.** **14-02**

(52) **U.S. Cl.**
USPC **D14/439**

(58) **Field of Classification Search**
USPC D14/356-358, 383-385, 420, 426, 427, D14/432-439, 447, 453, 454, 217, 253, D14/299; D13/107, 108, 133, 146, 147, D13/152, 154, 156, 158, 162, 162.1, 168, D13/173, 177; 439/131, 172-174, 373, 378; 361/679.08, 679.56, 679.21, 679.4
CPC H01R 24/60; H01R 13/6275; H01R 13/62
See application file for complete search history.

(56) **References Cited**

U.S. PATENT DOCUMENTS

D337,305 S	7/1993	Ross et al.
D445,764 S	7/2001	Lee
D471,870 S	3/2003	Lee
D510,930 S	10/2005	Deguchi
D524,759 S	7/2006	Wada et al.
D558,765 S	1/2008	Fitler et al.
D576,166 S	9/2008	Mori et al.

(Continued)

Primary Examiner — Austin Murphy

(74) *Attorney, Agent, or Firm* — Banner & Witcoff, Ltd.

(57) **CLAIM**

The ornamental design for a connector with illumination region, as shown and described.

DESCRIPTION

FIG. 1 is a top front isometric view of a connector with illumination region in a non-illuminated state showing our new design;

FIG. 2 is a right side view thereof;

FIG. 3 is a left side view thereof;

FIG. 4 is a top view thereof;

FIG. 5 is a bottom view thereof;

FIG. 6 is a front view thereof;

FIG. 7 is rear view thereof;

FIG. 8 is a top front isometric view of the connector of FIGS. 1-7 showing the illumination region in an illuminated state;

FIG. 9 is a right side view thereof;

FIG. 10 is a left side view thereof;

FIG. 11 is a top view thereof;

FIG. 12 is a bottom view thereof;

FIG. 13 is a front view thereof;

FIG. 14 is rear view thereof;

FIG. 15 is a top front isometric view of the connector of FIGS. 8-14 showing the illumination region in an illuminated state in grayscale;

FIG. 16 is a right side view thereof;

FIG. 17 is a left side view thereof;

FIG. 18 is a top view thereof;

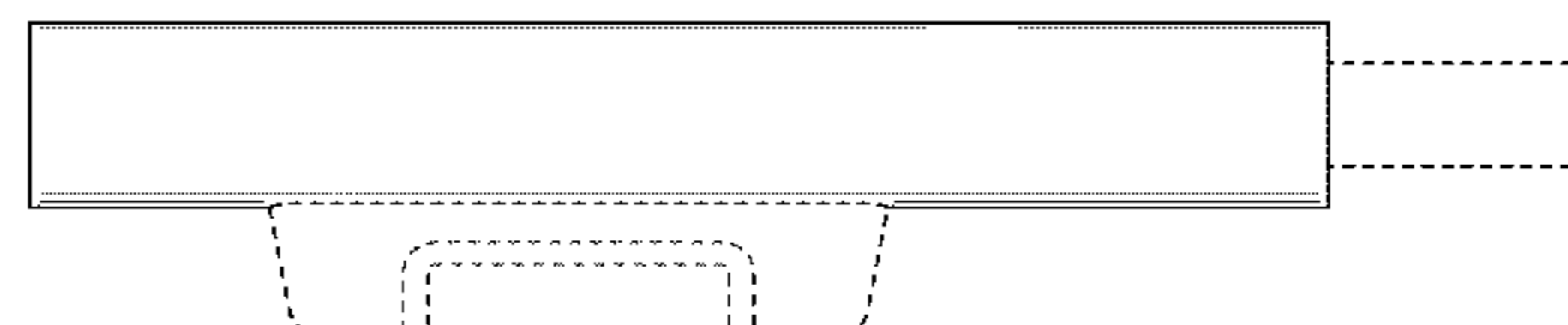
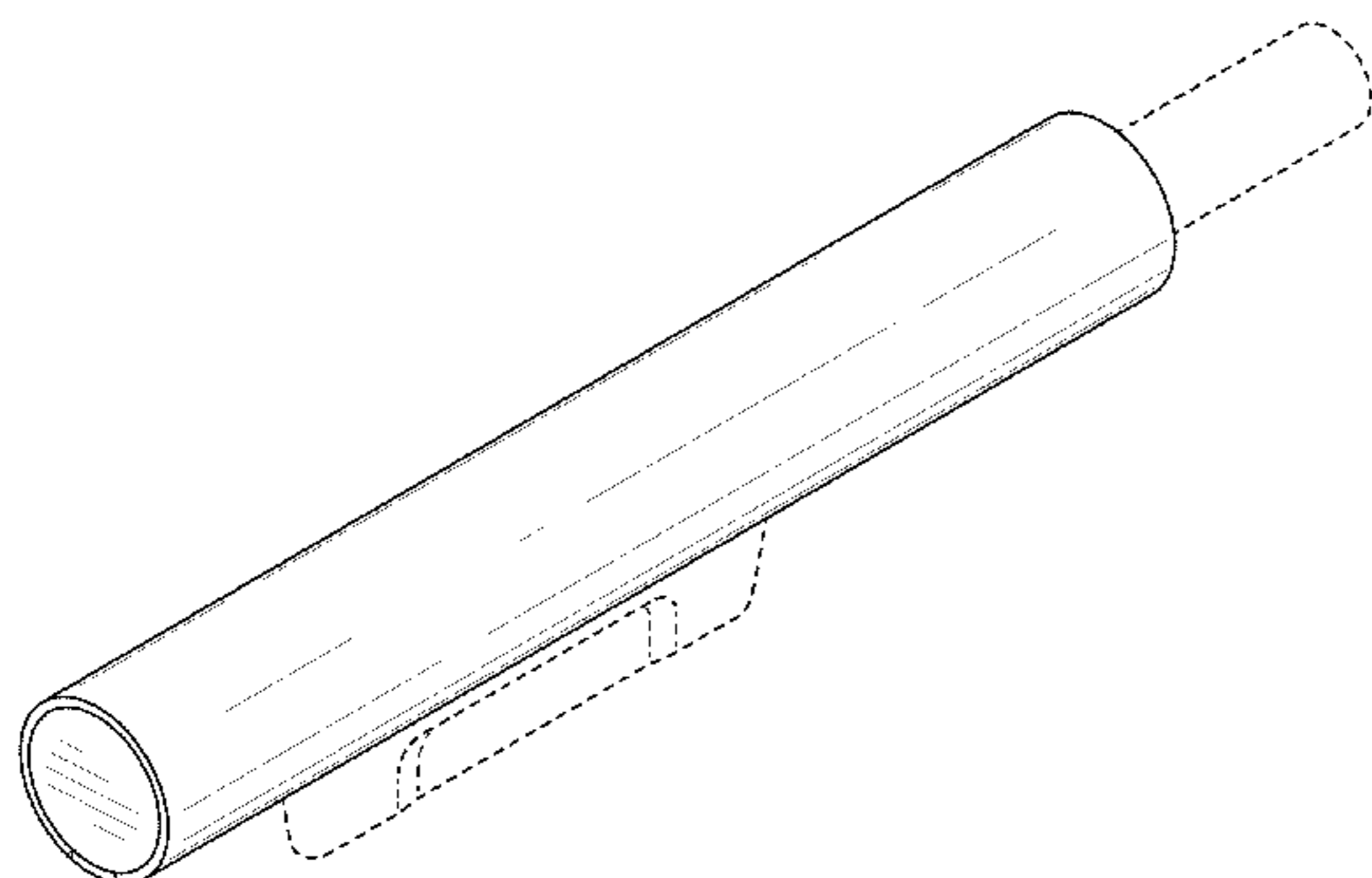
FIG. 19 is a bottom view thereof;

FIG. 20 is a front view thereof; and,

FIG. 21 is rear view thereof.

The broken line showing of various features of the connector are for environmental purposes only and form no part of the claimed design. The radiating lines emanating from the circle in FIGS. 8-14, and the oval shown in grayscale in FIGS. 15-21 represent illumination.

1 Claim, 9 Drawing Sheets



(56)

References Cited

U.S. PATENT DOCUMENTS

D582,354 S * 12/2008 Andre D13/158
D645,022 S 9/2011 Lee et al.
D680,539 S 4/2013 Kim
D696,631 S 12/2013 Price et al.
D704,578 S 5/2014 Chen et al.
D707,680 S 6/2014 Akana et al.
D707,681 S 6/2014 Akana et al.

D723,565 S * 3/2015 Kujawski D14/411
D728,528 S * 5/2015 Akana D14/218
D730,297 S * 5/2015 Price D13/147
D731,488 S * 6/2015 Lee D14/433
D733,067 S * 6/2015 Dendas D13/155
D733,142 S * 6/2015 Solomon D14/433
9,095,367 B2 * 8/2015 Olson A61B 17/320068
606/169
D739,824 S * 9/2015 Lin D13/146

* cited by examiner

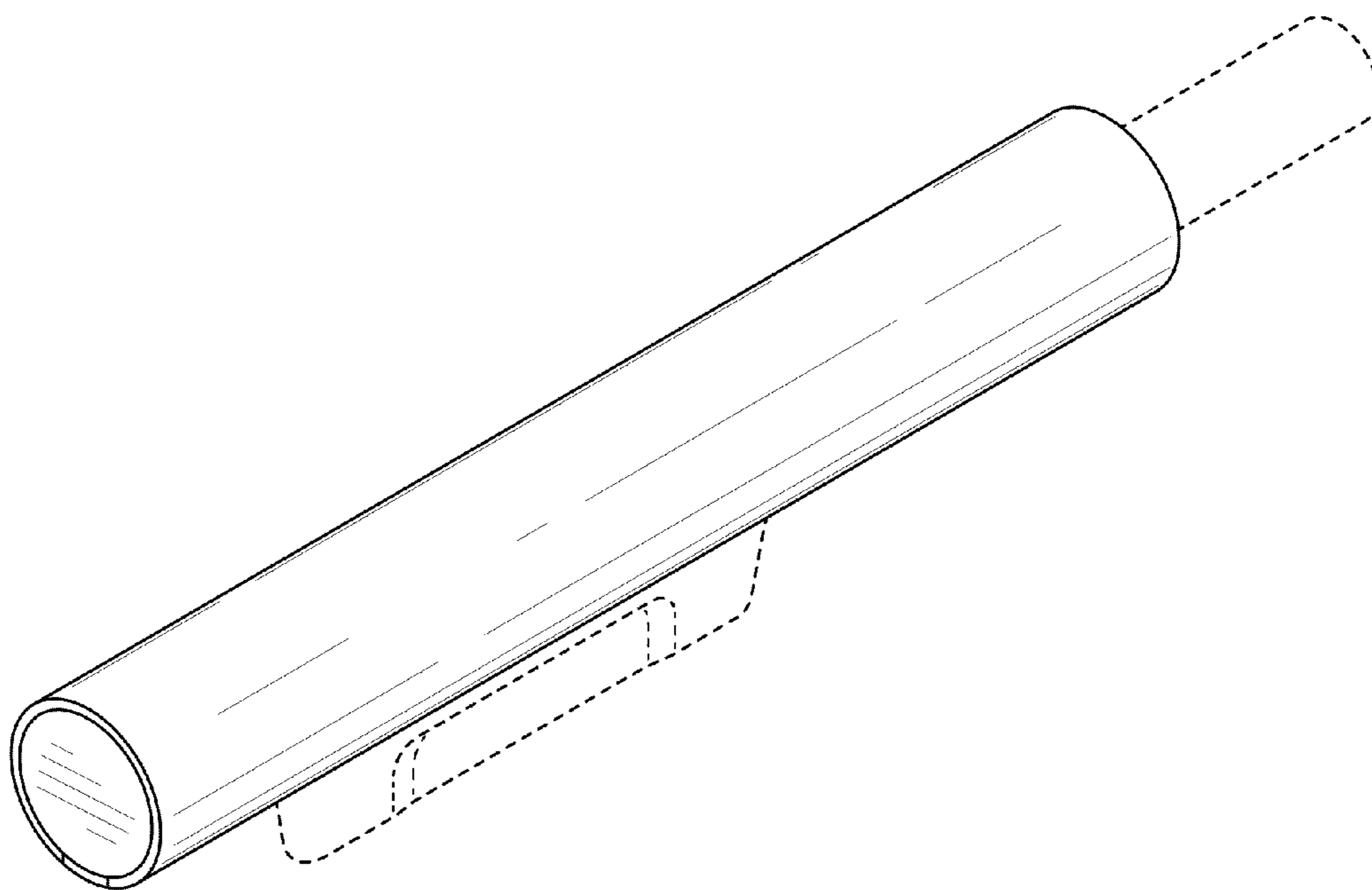


FIG. 1

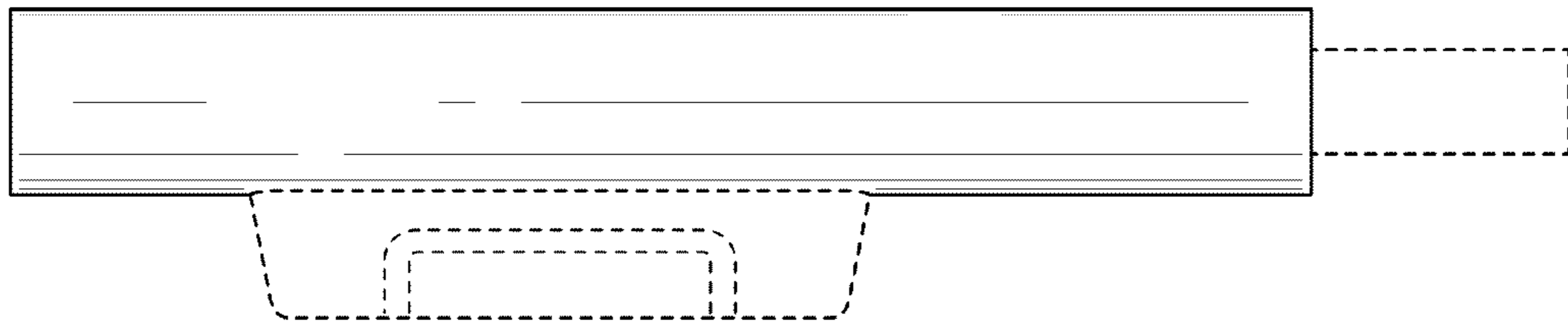


FIG. 2

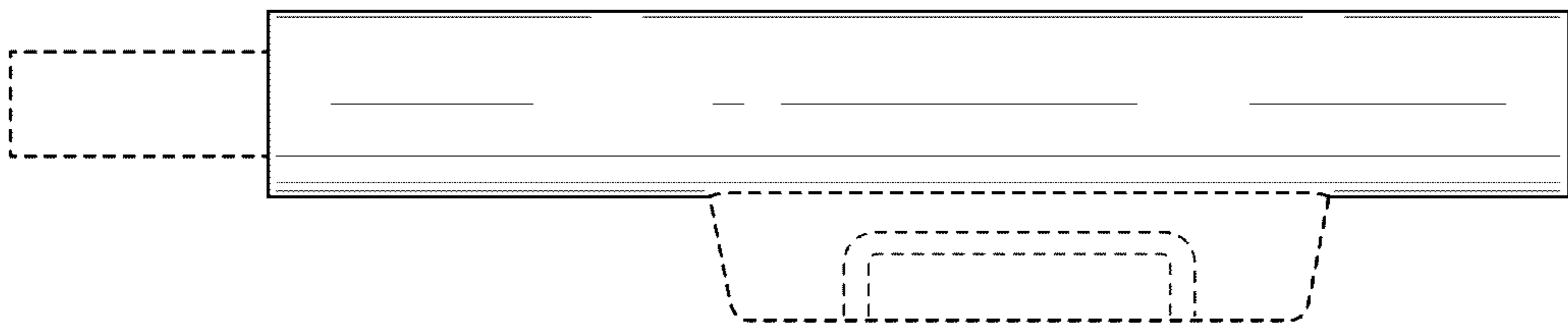


FIG. 3

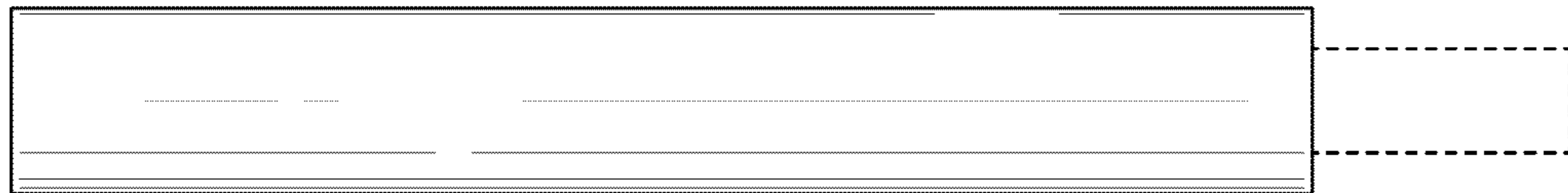


FIG. 4

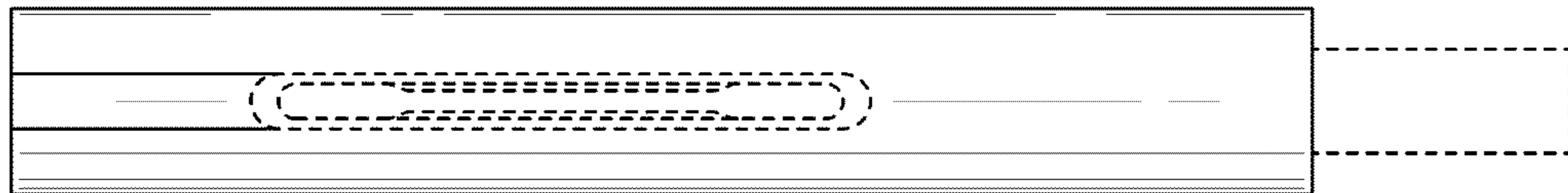


FIG. 5

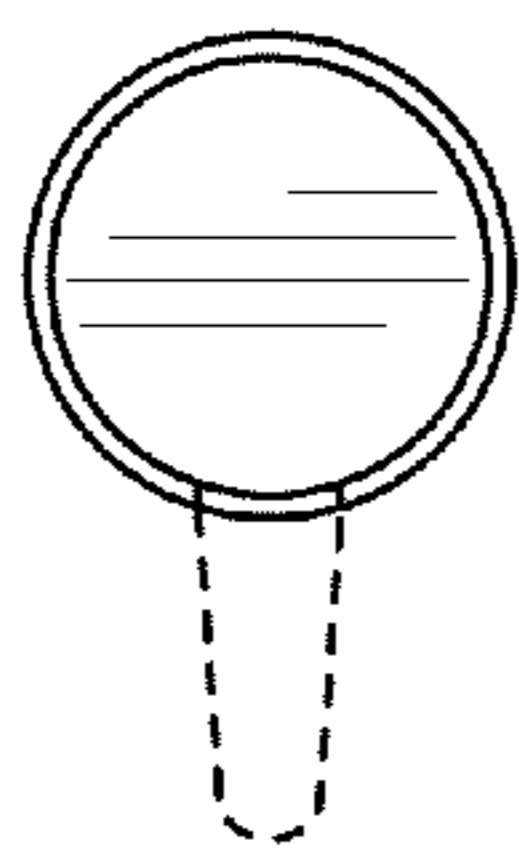


FIG. 6

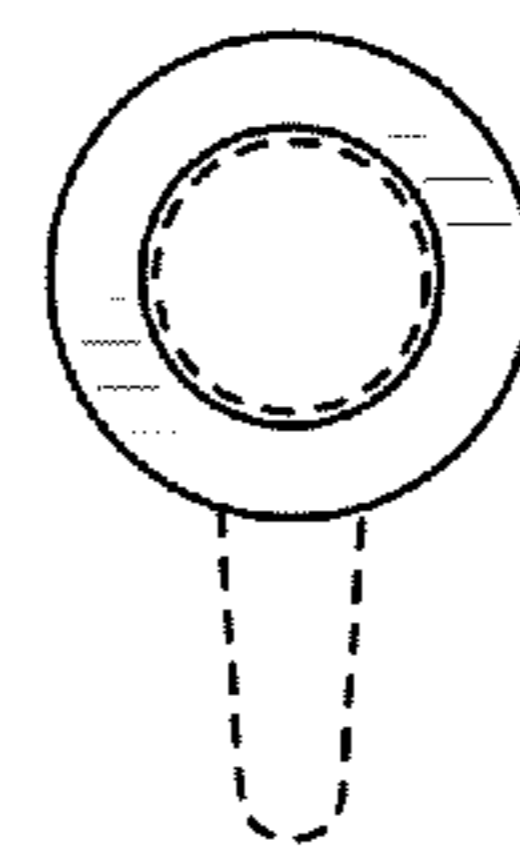


FIG. 7

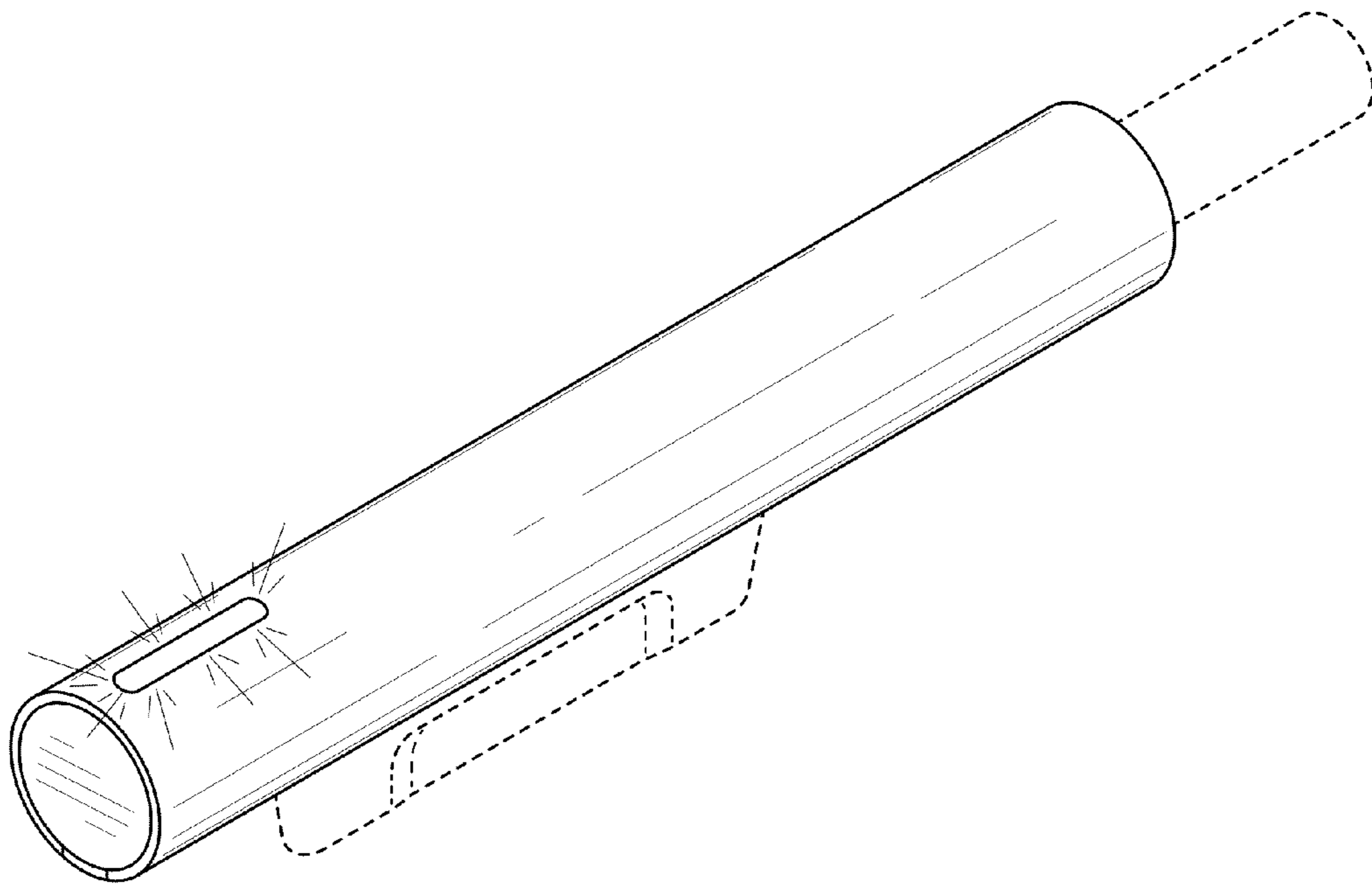


FIG. 8

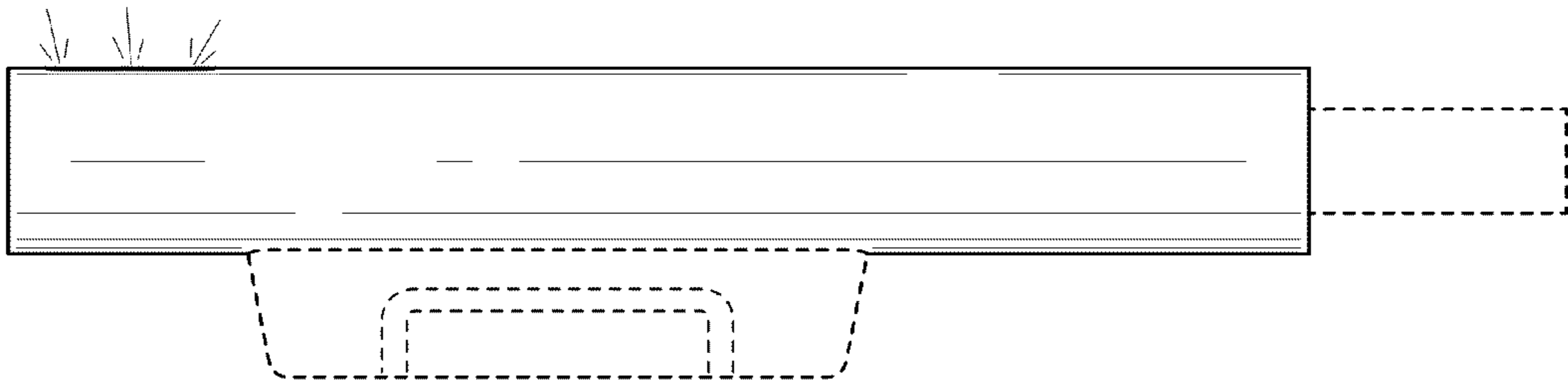


FIG. 9

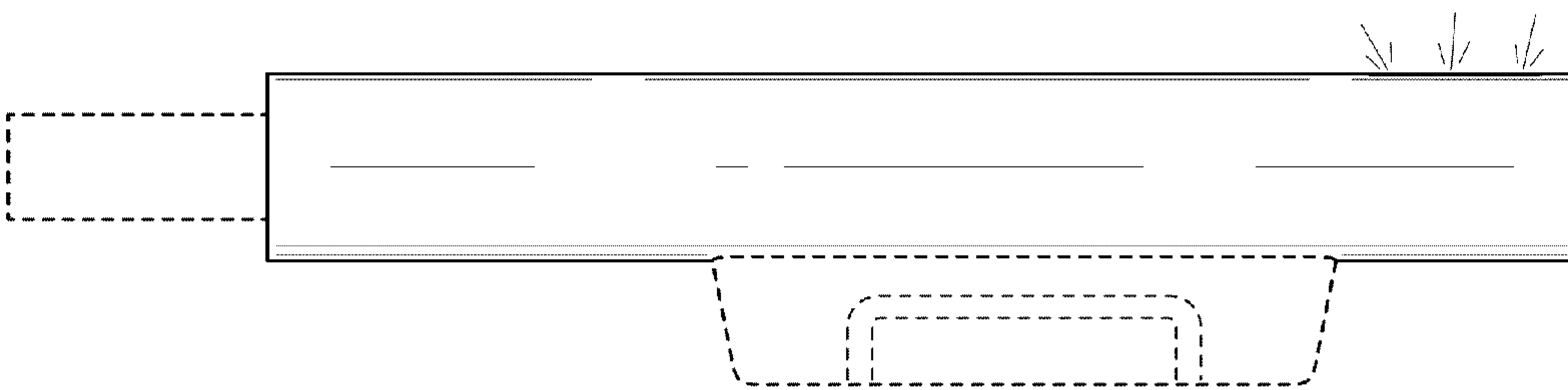


FIG. 10

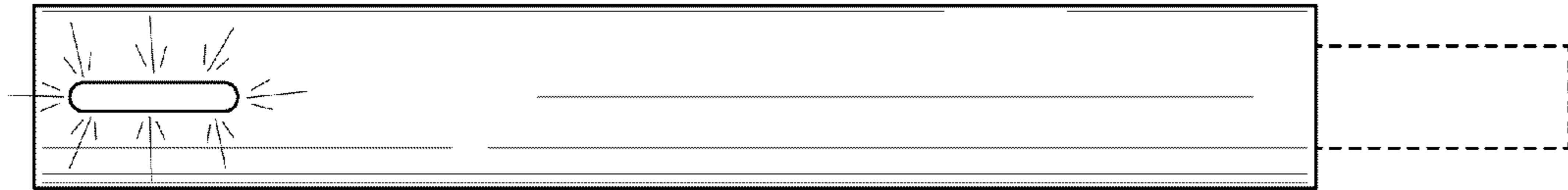


FIG. 11

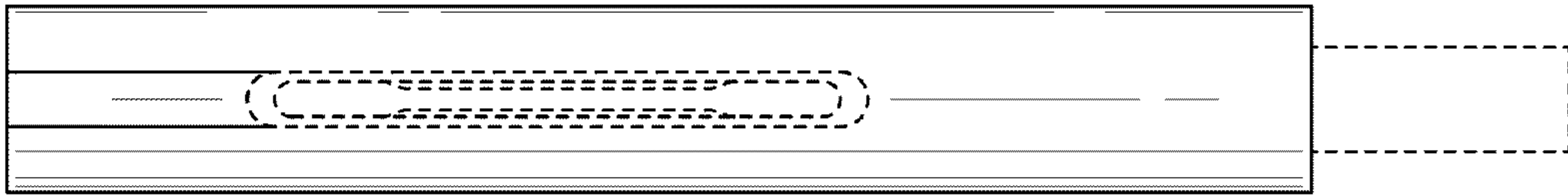


FIG. 12

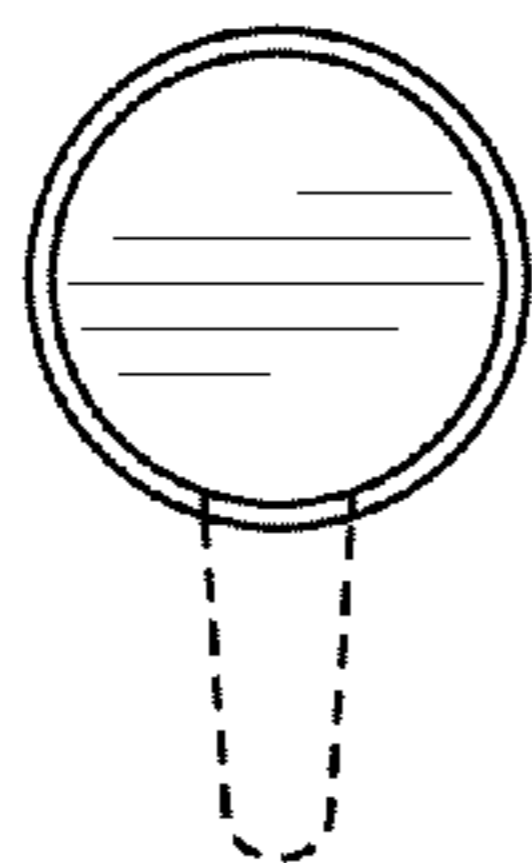


FIG. 13

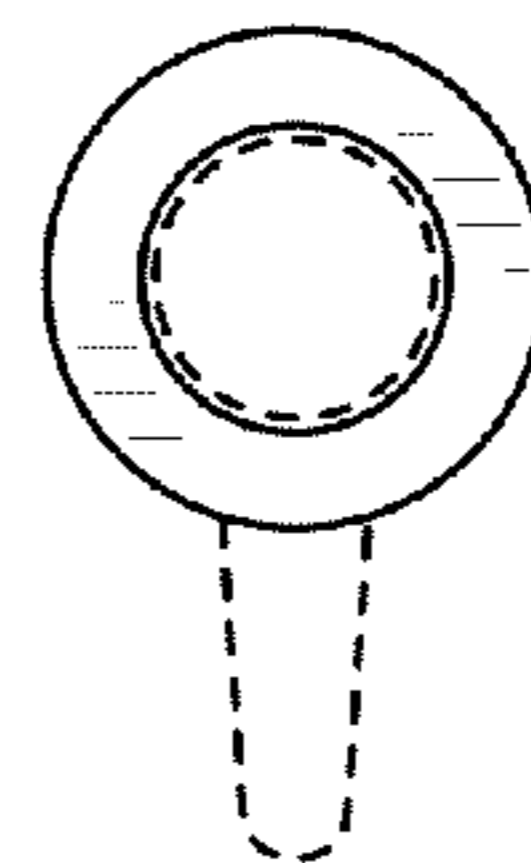


FIG. 14

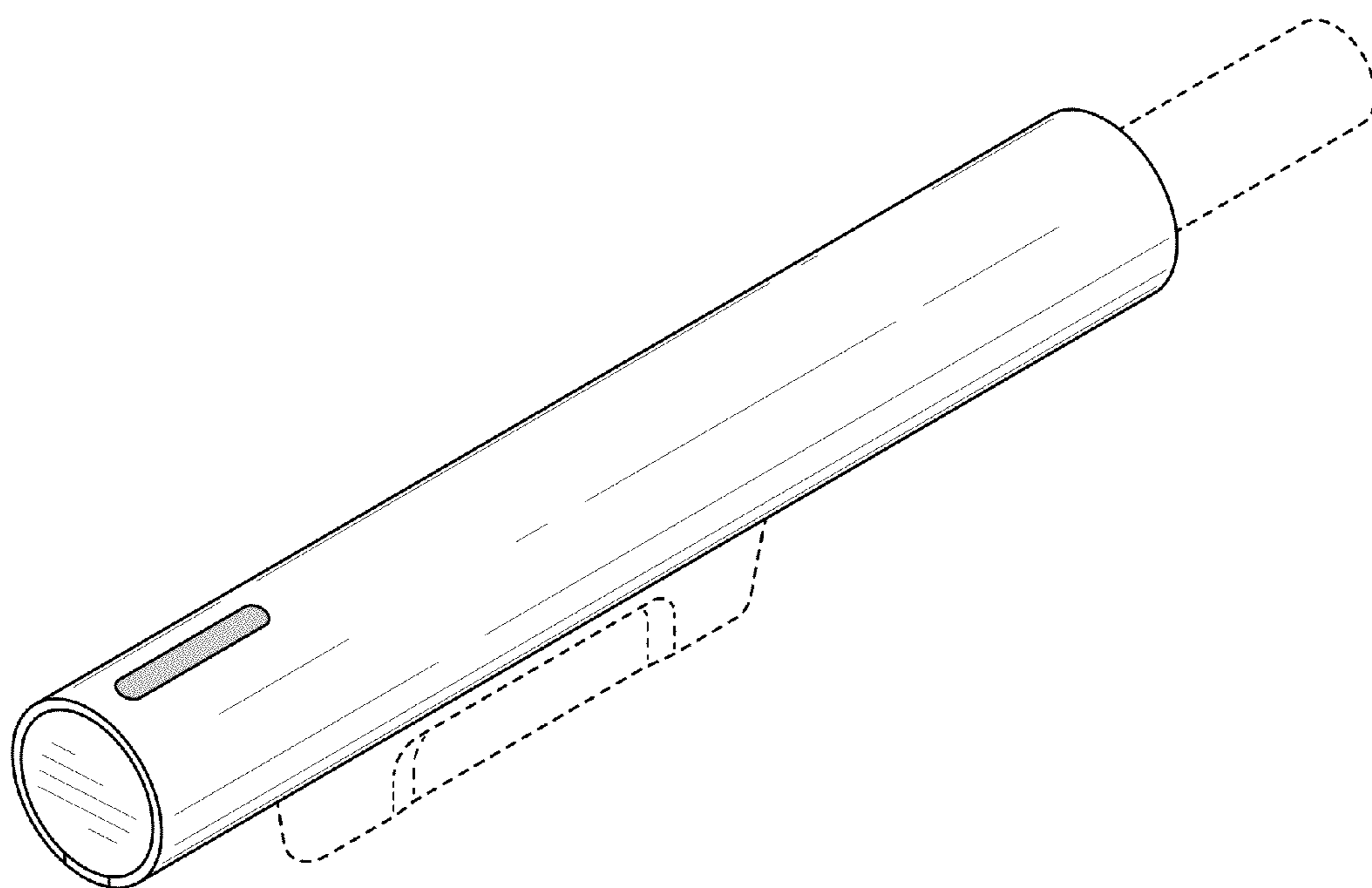


FIG. 15

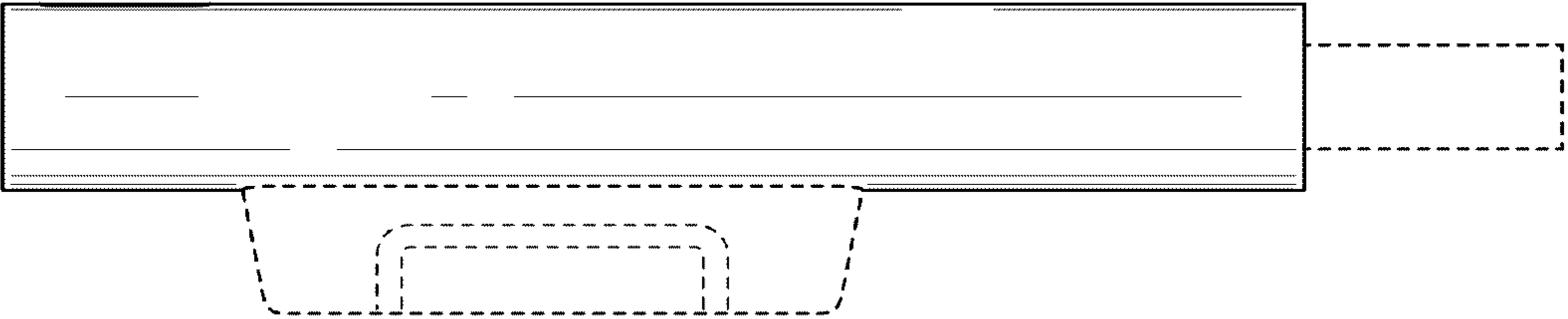


FIG. 16

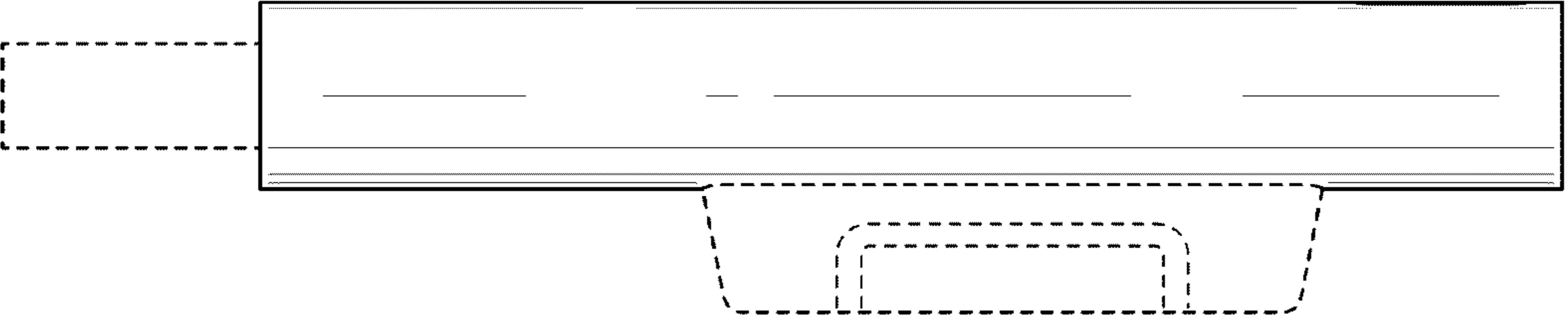


FIG. 17

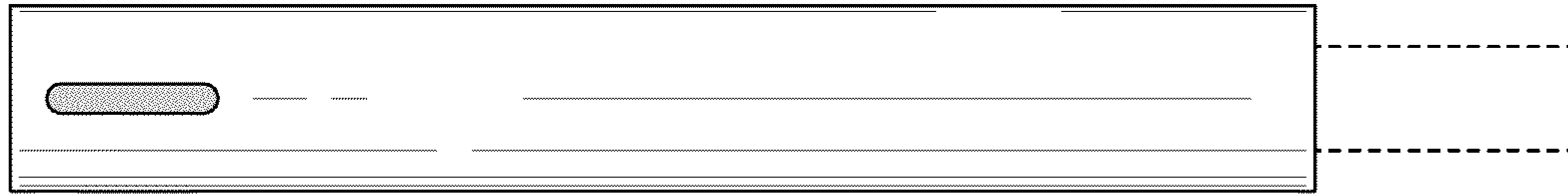


FIG. 18

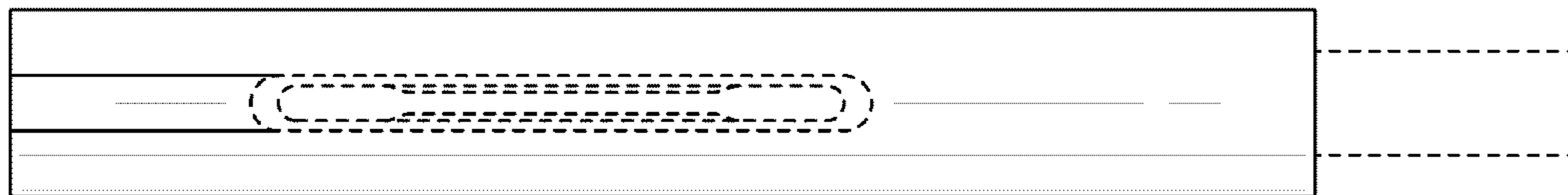


FIG. 19

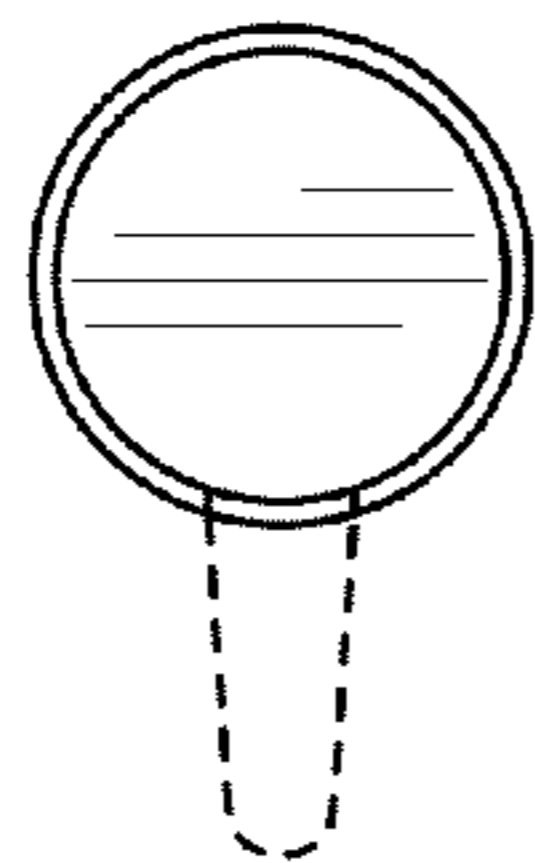


FIG. 20

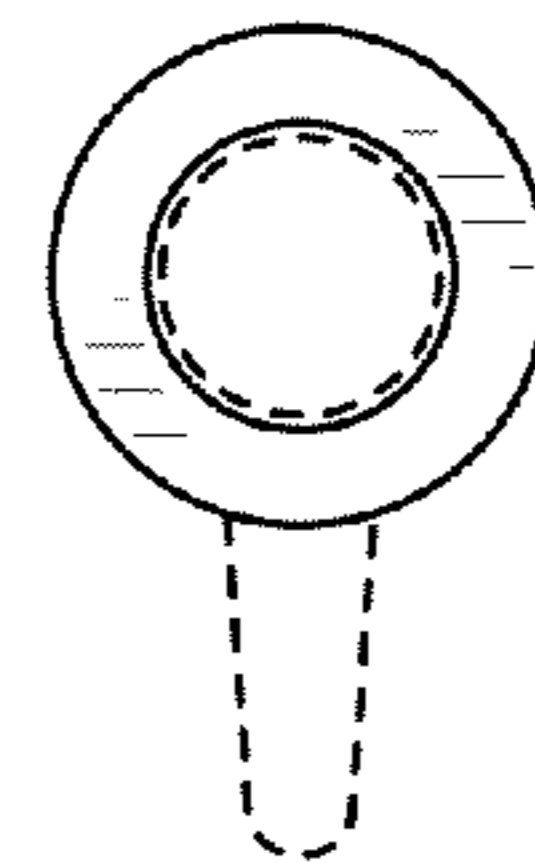


FIG. 21