



US00D759656S

(12) **United States Design Patent**  
**Andre et al.**

(10) **Patent No.:** **US D759,656 S**  
(45) **Date of Patent:** **\*\* Jun. 21, 2016**

(54) **CONNECTOR**

(71) Applicant: **Apple Inc.**, Cupertino, CA (US)  
(72) Inventors: **Bartley K. Andre**, Palo Alto, CA (US);  
**Mikael Silvanto**, San Francisco, CA  
(US); **Christopher J. Stringer**,  
Woodside, CA (US); **Matthew William**  
**Blum**, San Francisco, CA (US); **Houtan**  
**R. Farahani**, San Ramon, CA (US);  
**Stephen Jayanathan**, Oakland, CA (US)  
(73) Assignee: **Apple Inc.**, Cupertino, CA (US)  
(\*\*) Term: **14 Years**  
(21) Appl. No.: **29/519,725**  
(22) Filed: **Mar. 6, 2015**  
(51) **LOC (10) Cl.** ..... **14-03**  
(52) **U.S. Cl.**  
USPC ..... **D14/435.1**  
(58) **Field of Classification Search**  
USPC ..... D14/435.1, 480.1–480.7, 411, 433, 436,  
D14/484.1, 137, 155, 203.1–203.8, 240,  
D14/242, 133, 154  
CPC ..... H05K 5/0278; G06K 19/07732  
See application file for complete search history.

(56) **References Cited**

U.S. PATENT DOCUMENTS

D580,436	S	*	11/2008	Kiyomiya	.....	D14/435.1
8,456,826	B2	*	6/2013	Mao	.....	H05K 5/0278 361/679.31
D686,217	S	*	7/2013	Andre	.....	D11/2
D707,689	S	*	6/2014	Billington	.....	D11/2
D733,142	S	*	6/2015	Solomon	.....	D14/433
D734,272	S	*	7/2015	Dang	.....	D13/153
D742,839	S	*	11/2015	Chu	.....	D13/154
D743,399	S	*	11/2015	Frank	.....	D14/435
D745,458	S	*	12/2015	Tobaruela	.....	D13/133
D746,291	S	*	12/2015	Solomon	.....	D14/433
2013/0021741	A1	*	1/2013	Huang	.....	G06K 19/07732 361/679.32

\* cited by examiner

*Primary Examiner* — Angela J Lee

(74) *Attorney, Agent, or Firm* — Saidman DesignLaw Group, LLC

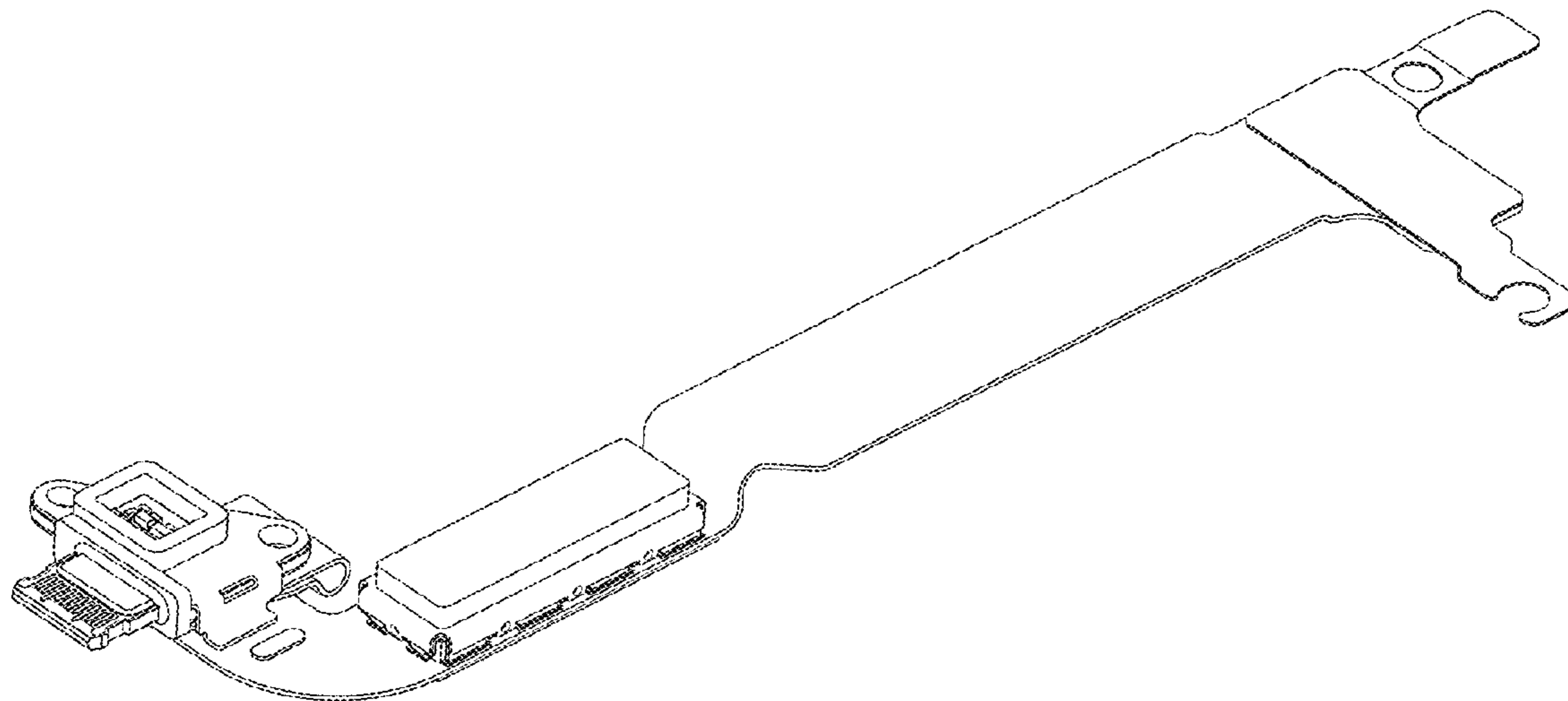
(57) **CLAIM**

The ornamental design for a connector, as shown and described.

**DESCRIPTION**

FIG. 1 is a front perspective view of a connector showing our new design;  
FIG. 2 is a front view thereof;  
FIG. 3 is a left side view thereof;  
FIG. 4 is a right side view thereof;  
FIG. 5 is a top view thereof; and,  
FIG. 6 is a bottom view thereof.

**1 Claim, 3 Drawing Sheets**



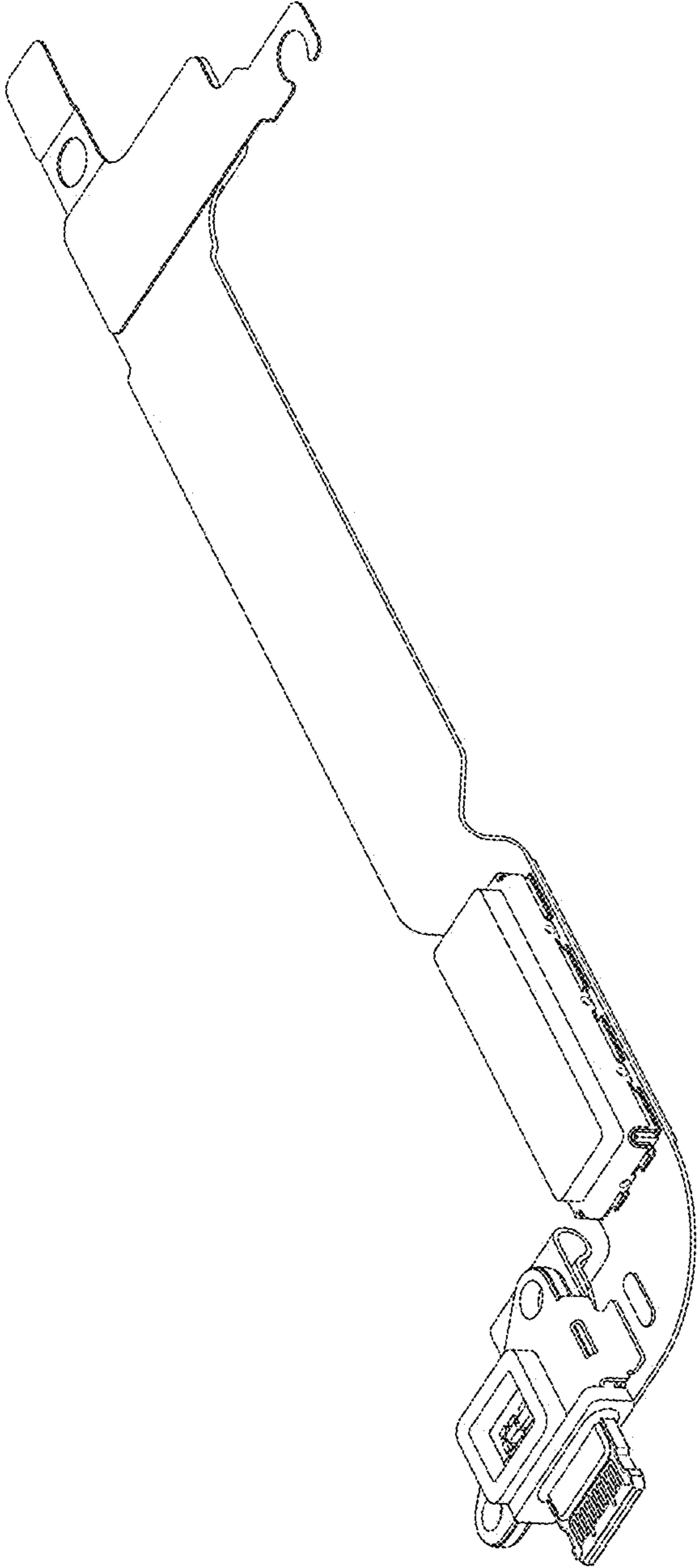


FIG. 1

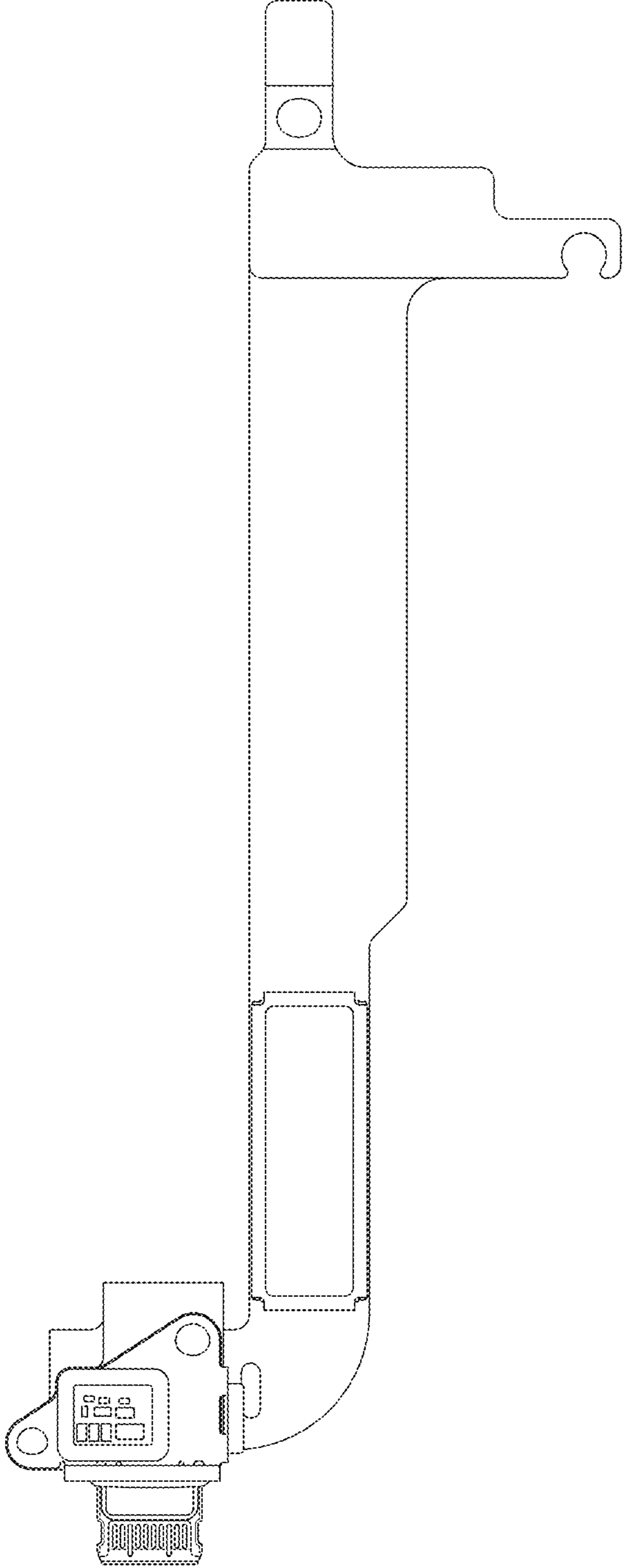


FIG. 2

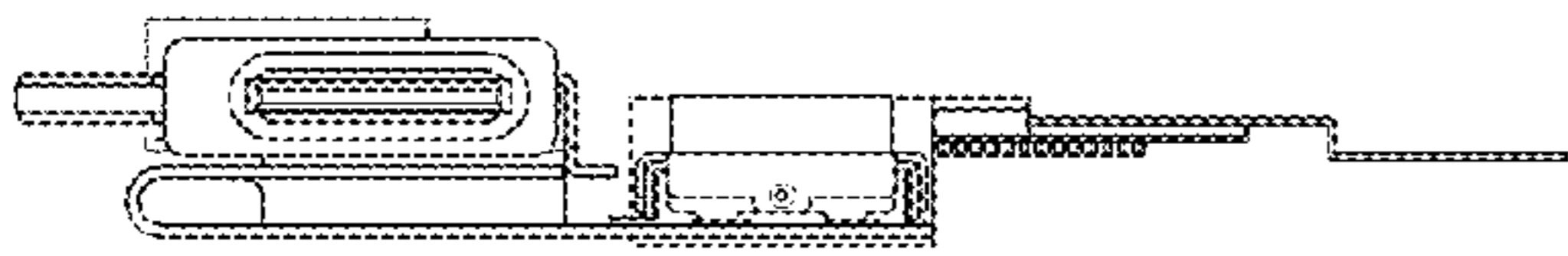


FIG. 3

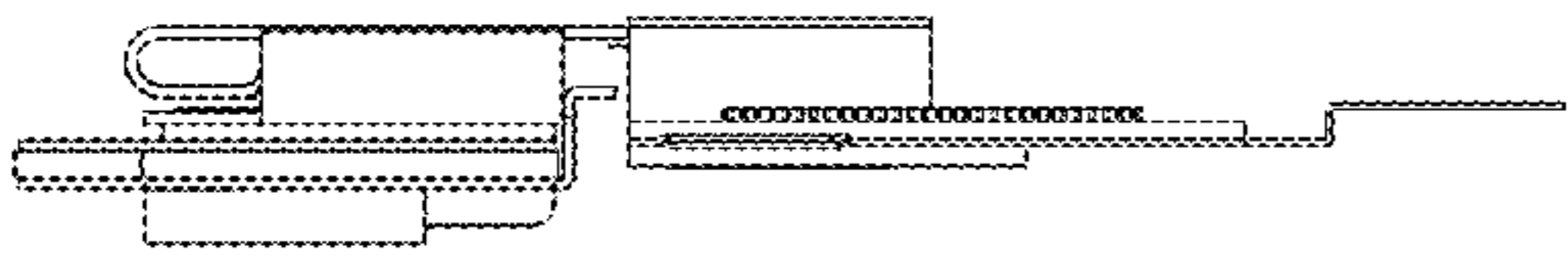


FIG. 4

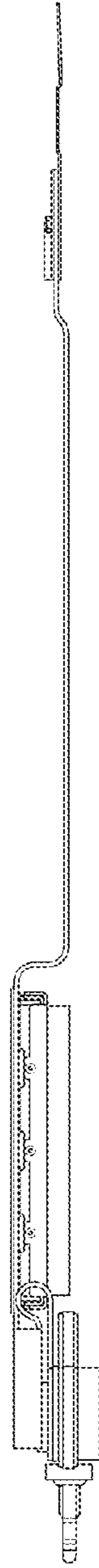


FIG. 5

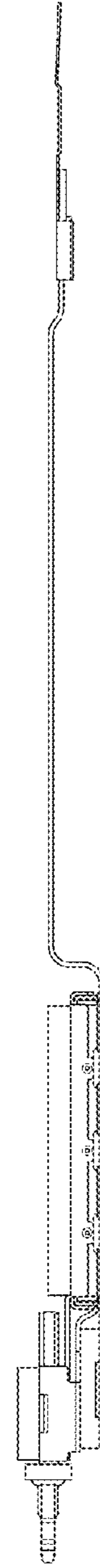


FIG. 6