



US00D759652S

(12) **United States Design Patent**  
**Aumiller et al.**

(10) **Patent No.:** **US D759,652 S**  
(45) **Date of Patent:** **\*\* Jun. 21, 2016**

(54) **ELECTRONIC DEVICE**

(71) Applicant: **SAMSUNG ELECTRONICS CO., LTD.**, Suwon-si (KR)

(72) Inventors: **Curtis Aumiller**, San Jose, CA (US);  
**Pranav Mistry**, Cupertino, CA (US);  
**Chengyuan Wei**, Dalian (CN)

(73) Assignee: **SAMSUNG ELECTRONICS CO., LTD.**, Suwon-si (KR)

(\*\*) Term: **14 Years**

(21) Appl. No.: **29/453,868**

(22) Filed: **May 3, 2013**

**Related U.S. Application Data**

(63) Continuation of application No. 29/449,656, filed on Mar. 15, 2013.

(51) **LOC (10) Cl.** ..... **14-02**

(52) **U.S. Cl.**  
USPC ..... **D14/344**

(58) **Field of Classification Search**  
USPC ..... D14/341-347, 420, 426, 427;  
D10/30-32, 37-39, 65; 368/281-282,  
368/294-296; 455/100; 361/679.03;  
379/433.1; D11/3

See application file for complete search history.

(56) **References Cited**

**U.S. PATENT DOCUMENTS**

D224,913 S \* 10/1972 Maroni ..... D10/32  
D249,874 S \* 10/1978 Lawrence ..... D10/38  
D282,914 S 3/1986 Maron  
D284,949 S 8/1986 Kong  
4,636,047 A \* 1/1987 Green ..... 359/879  
D297,121 S 8/1988 Porsche et al.  
D302,664 S 8/1989 Dawson, Jr.  
D335,263 S \* 5/1993 Willis ..... D11/3  
D351,558 S 10/1994 Moon

5,361,169 A \* 11/1994 Deal ..... 359/838  
D356,960 S 4/1995 Courteault  
D362,396 S \* 9/1995 Chester ..... D10/32

(Continued)

**OTHER PUBLICATIONS**

Pebble smartwatch, posted Jan. 25, 2013 [online], [retrieved Aug. 22, 2013]. Retrieved from Internet, <http://www.engadget.com/2013/01/25/pebble-smartwatch-review/>.\*

Zypad WL 1000, posted Jun. 29, 2007 [online], [retrieved Aug. 22, 2013]. Retrieved from Internet, <http://www.pocket-lint.com/news/81360-zypad-wl1000-futuristic-wearable-computer>.\*

(Continued)

*Primary Examiner* — Barbara Fox

(74) *Attorney, Agent, or Firm* — Sughrue Mion, PLLC

(57) **CLAIM**

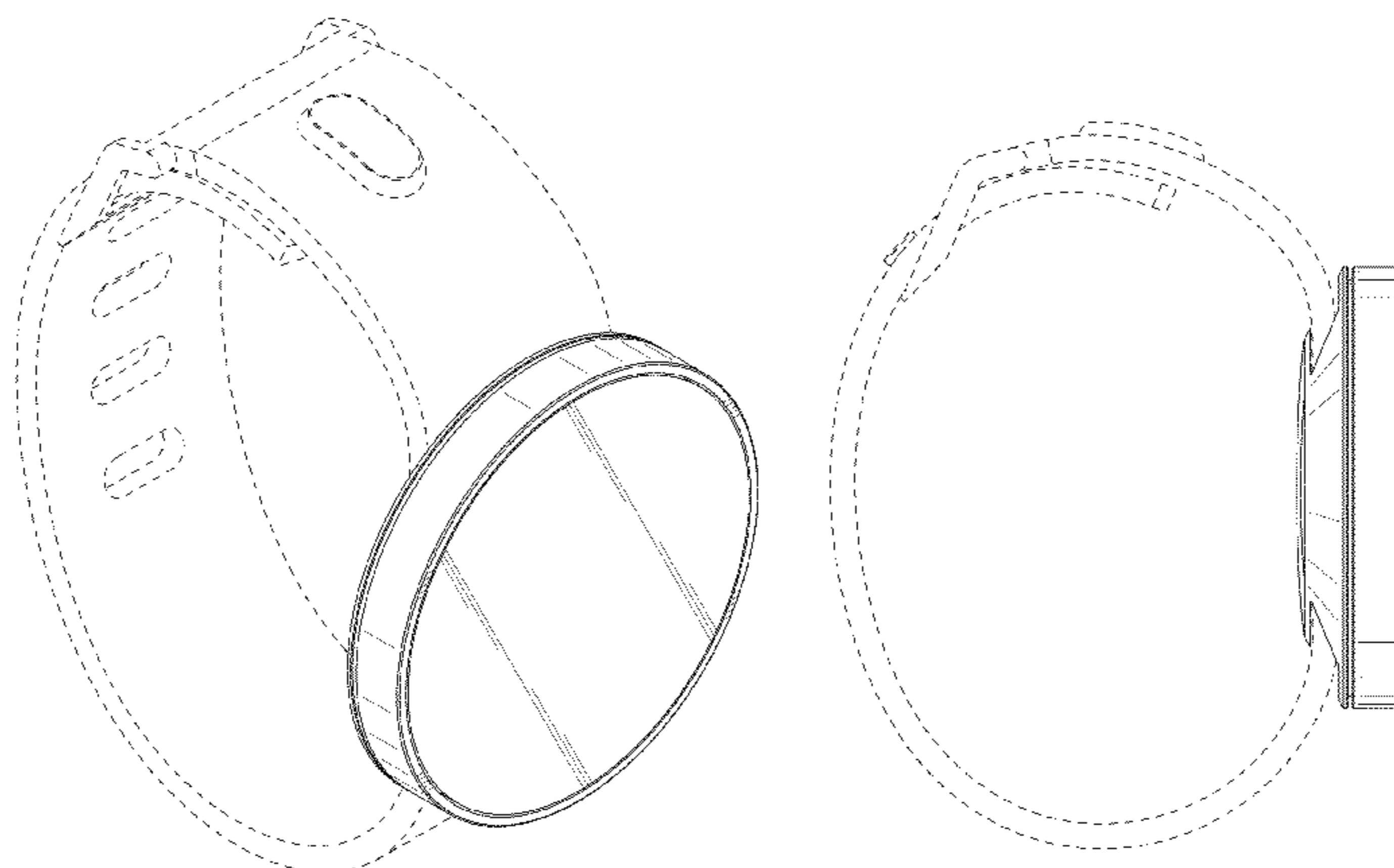
The ornamental design for an electronic device, as shown and described.

**DESCRIPTION**

FIG. 1 is a top front perspective view of a first embodiment of an electronic device showing our new design; FIG. 2 is a front elevational view thereof; FIG. 3 is a rear elevational view thereof; FIG. 4 is a left side elevational view thereof; FIG. 5 is a right side elevational view thereof; FIG. 6 is a top plan view thereof; FIG. 7 is a bottom plan view thereof; FIG. 8 is a top rear perspective view thereof in a case where a terminal portion of the band is partially truncated; FIG. 9 is a top front perspective view of a second embodiment of an electronic device showing our new design; FIG. 10 is a front elevational view thereof; FIG. 11 is a rear elevational view thereof; FIG. 12 is a left side elevational view thereof; FIG. 13 is a right side elevational view thereof; FIG. 14 is a top plan view thereof; and, FIG. 15 is a bottom plan view thereof.

The broken lines shown in the drawings represent portions of the electronic device that form no part of the claimed design.

**1 Claim, 9 Drawing Sheets**



(56)

References Cited

U.S. PATENT DOCUMENTS

D372,878	S *	8/1996	Finnegan .....	D11/3
D386,696	S *	11/1997	Walch .....	D10/34
D416,814	S *	11/1999	Welsh .....	D10/31
D433,949	S	11/2000	Helleu	
D455,356	S *	4/2002	Saffer .....	D10/32
D519,858	S *	5/2006	Migliorati .....	D10/39
D537,371	S *	2/2007	Belamich .....	D10/39
D543,122	S *	5/2007	Lafever et al. ....	D10/32
D545,697	S *	7/2007	Martin .....	D10/38
D564,367	S *	3/2008	Molyneux .....	D10/31
D574,262	S *	8/2008	Martinez et al. ....	D10/32
D590,277	S *	4/2009	Wei .....	D10/38
D590,727	S *	4/2009	Wei .....	D10/38
D596,509	S *	7/2009	Kume et al. ....	D10/38
D604,643	S *	11/2009	Ahlstrom .....	D10/31
D610,472	S *	2/2010	Nashimoto .....	D10/32
D612,269	S *	3/2010	Leung .....	D10/32
D635,472	S *	4/2011	Dalla Libera et al. ....	D10/32
D640,576	S *	6/2011	Nashimoto .....	D10/38
D640,936	S *	7/2011	Teixeia .....	D10/32
D640,948	S *	7/2011	Quigley .....	D11/3
D661,206	S *	6/2012	Register et al. ....	D10/38
D669,371	S *	10/2012	Rasumowsky .....	D10/38
D687,736	S *	8/2013	Wycoff .....	D11/3
8,506,158	B2 *	8/2013	Keung et al. ....	368/282

OTHER PUBLICATIONS

iWatch Concept, posted Feb. 21, 2013 [online], [retrieved Aug. 21, 2013]. Retrieved from Internet, <http://appleinsider.com>.\*

Samsungpatent for a wrist watch computing device, posted Aug. 14, 2013 [online], [retrieved Aug. 21, 2013]. Retrieved from Internet, <http://appleinsider.com>.\*

Microsoft "Smartwatch", posted Apr. 17, 2013 [online], [retrieved Aug. 22, 2013]. Retrieved from Internet, <http://kotaku.com/report-xbox-staff-working-on-microsoft-smartwatch-475322574>.\*

Smartwatches, posted Mar. 25, 2013 [online], [retrieved Aug. 22, 2013]. Retrieved from Internet, <http://www.trustedreviews.com/opinions/smart-watches-fad-or-the-future>.\*

Microsoft smartwatch, posted Apr. 15, 2013 [online], [retrieved Aug. 22, 2013]. Retrieved from Internet, <http://www.digitaltrends.com>.\*

Samsung SPH-WP10, posted Mar. 21, 2013 [online], [retrieved Aug. 21, 2013]. Retrieved from Internet, <http://appleinsider.com>.\*

Sony SmartWatch, posted Mar. 19, 2012 [online], [retrieved Aug. 22, 2013]. Retrieved from Internet, <http://www.theverge.com/2012/3/19/2876341/sony-smartwatch-review>.\*

Microsof SPTO Watch Smartwatch, posted Mar. 11, 2013 [online], [retrieved Aug. 22, 2013]. Retrieved from Internet, <http://www.smartwatchnews.org/2004-microsoft-spot-watch-smartwatch/>.\*

I'm Watch, posted Jan. 10, 2012 [online], [retrieved Aug. 22, 2013]. Retrieved from Internet, <http://www.theverge.com>.\*

\* cited by examiner

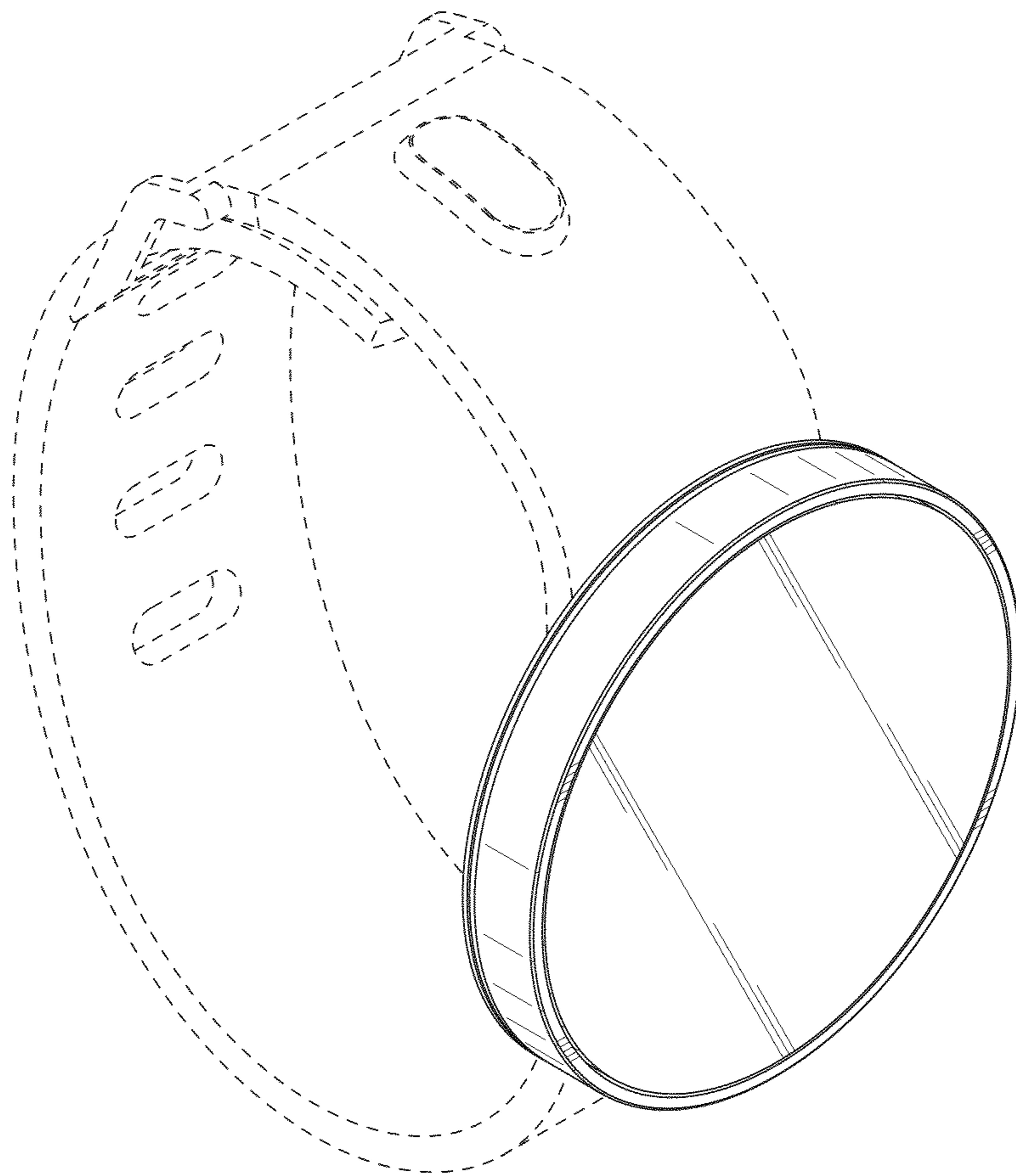


FIG. 1

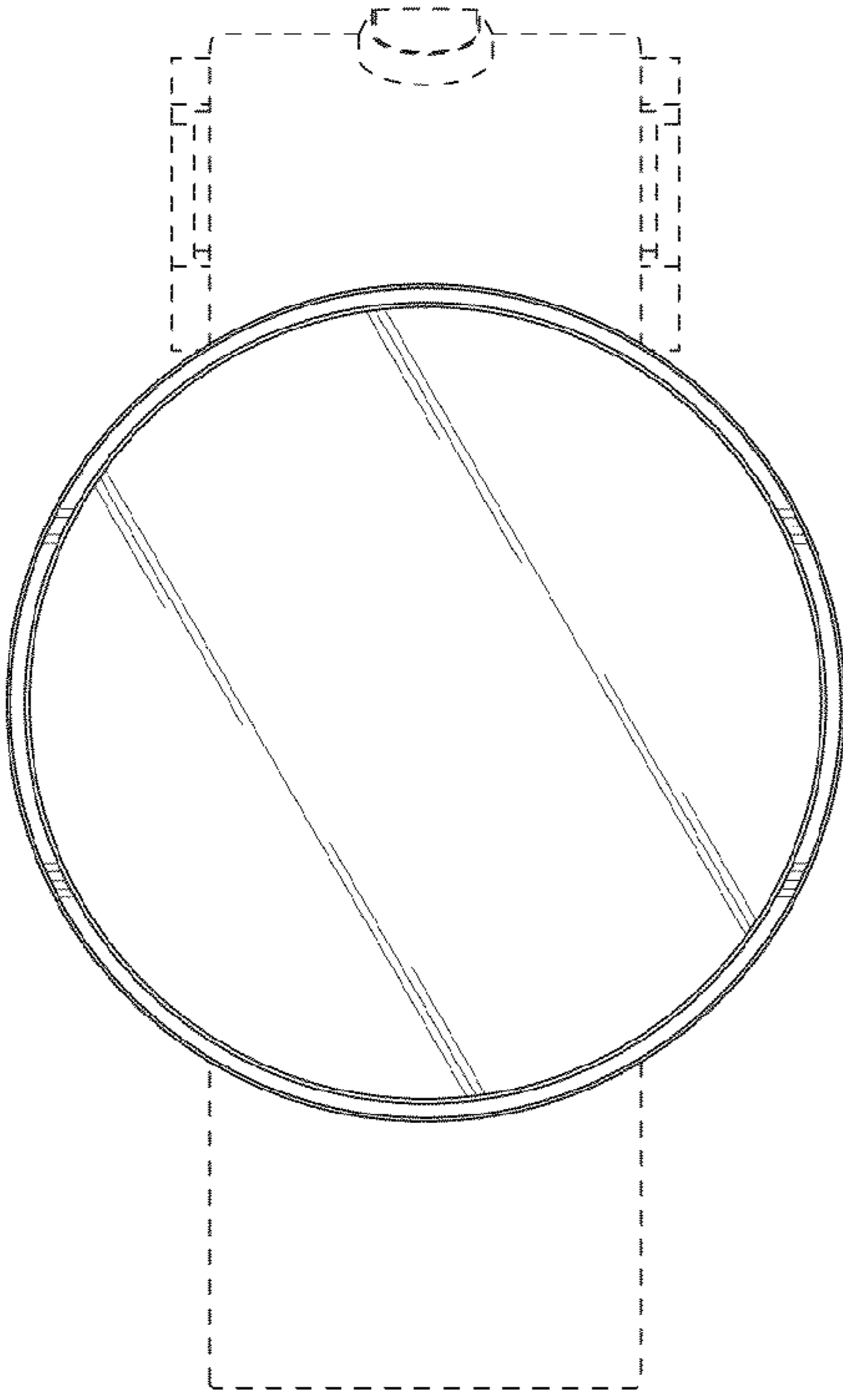


FIG. 2

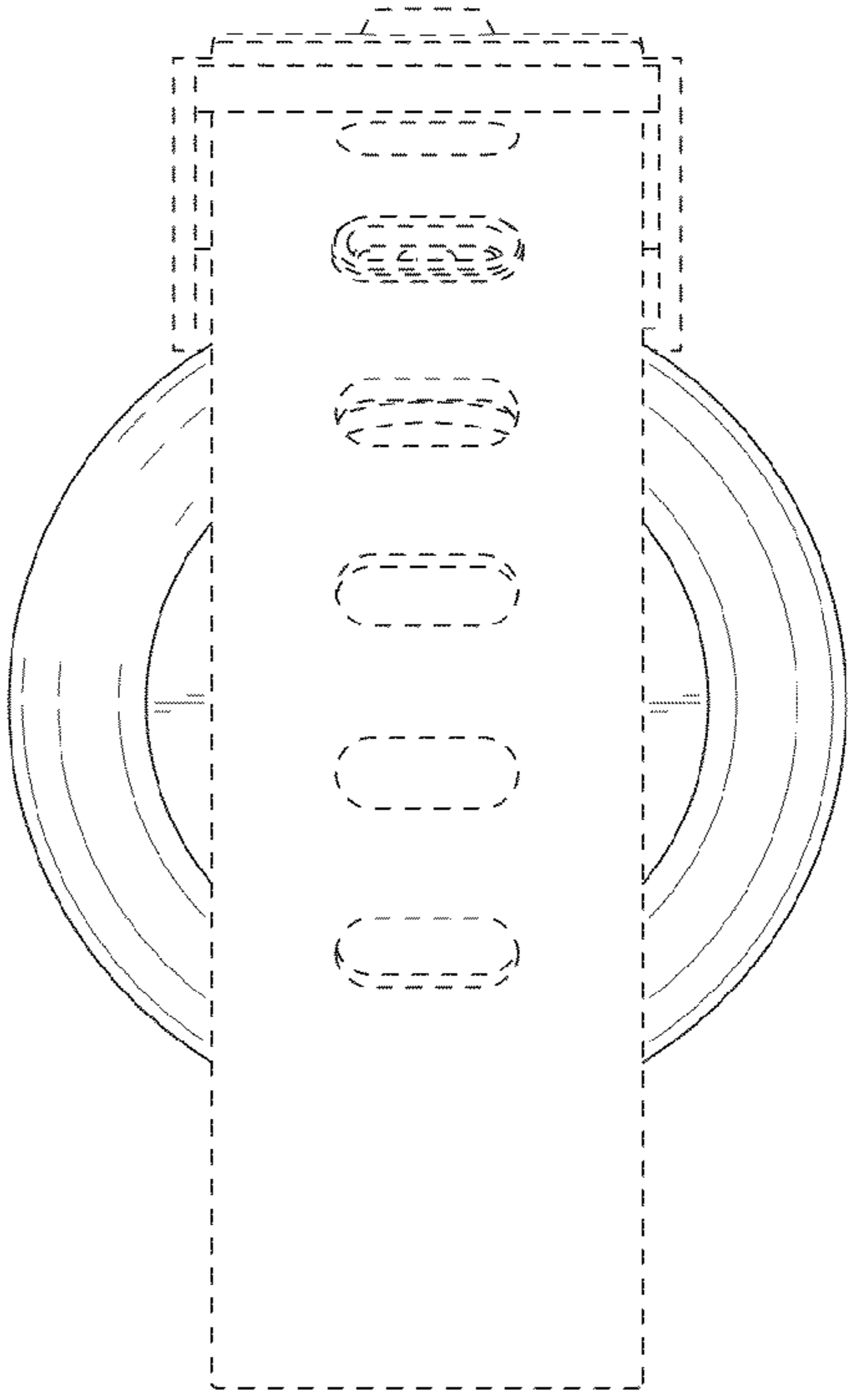


FIG. 3



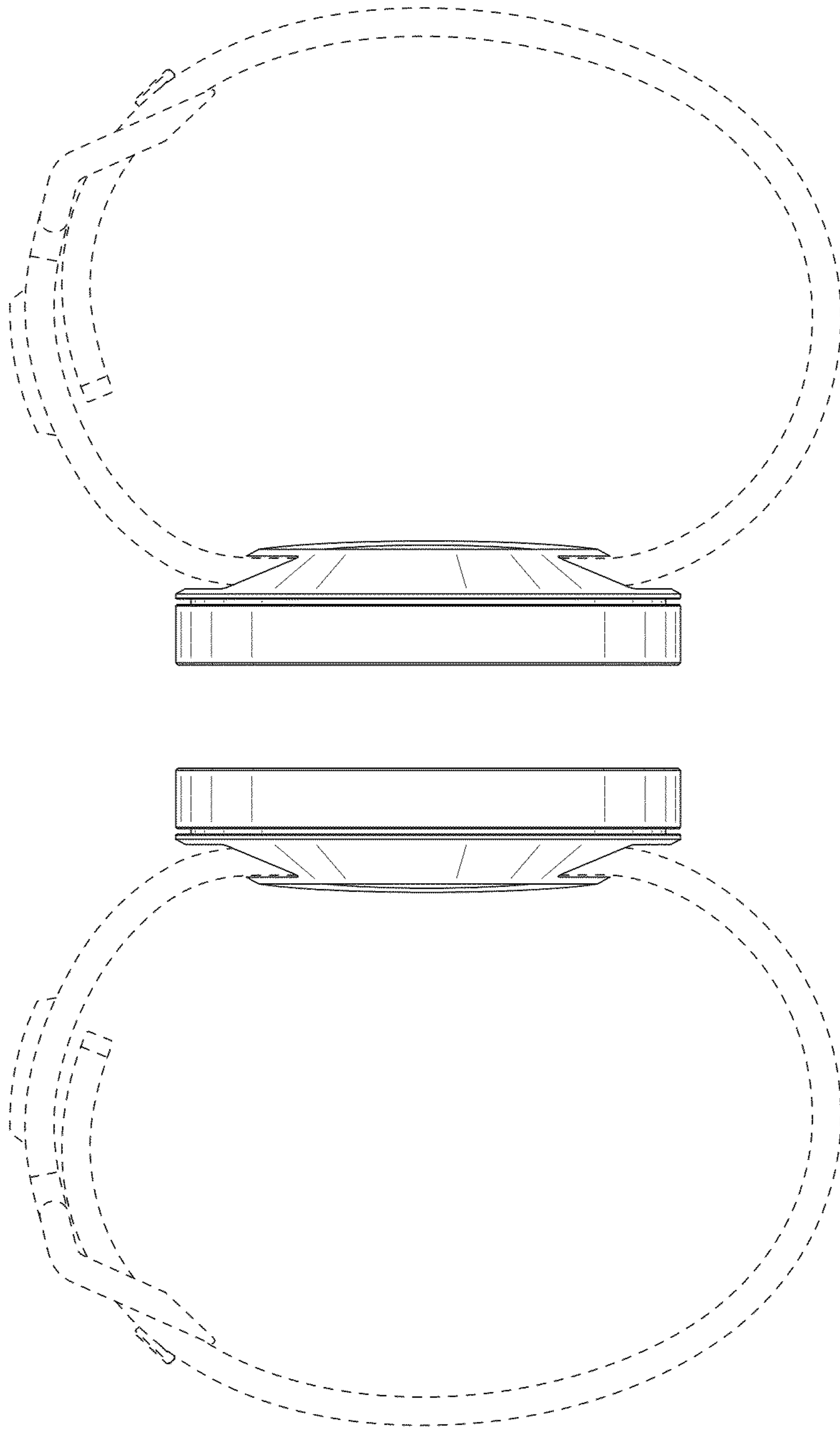


FIG. 5

FIG. 4

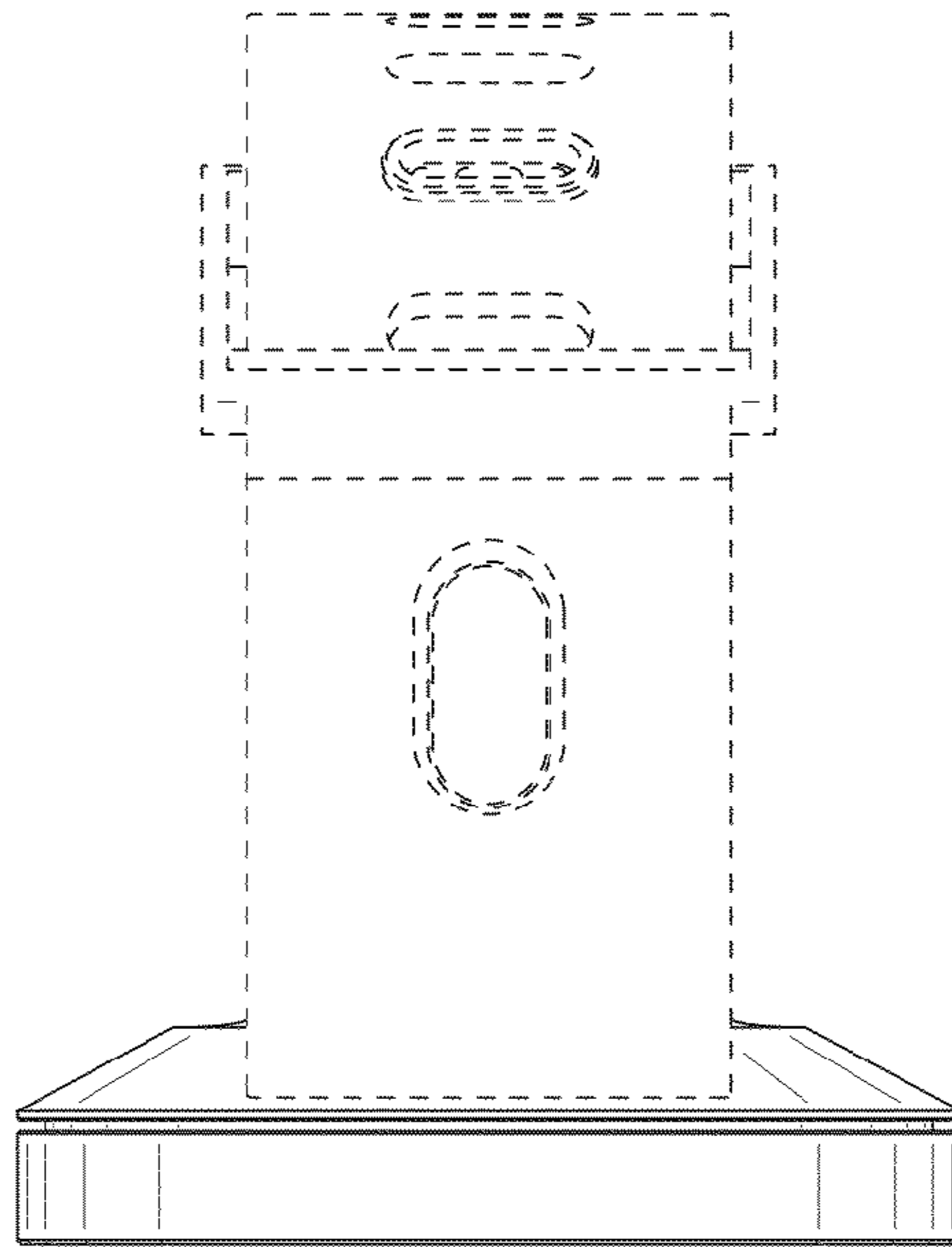


FIG. 6

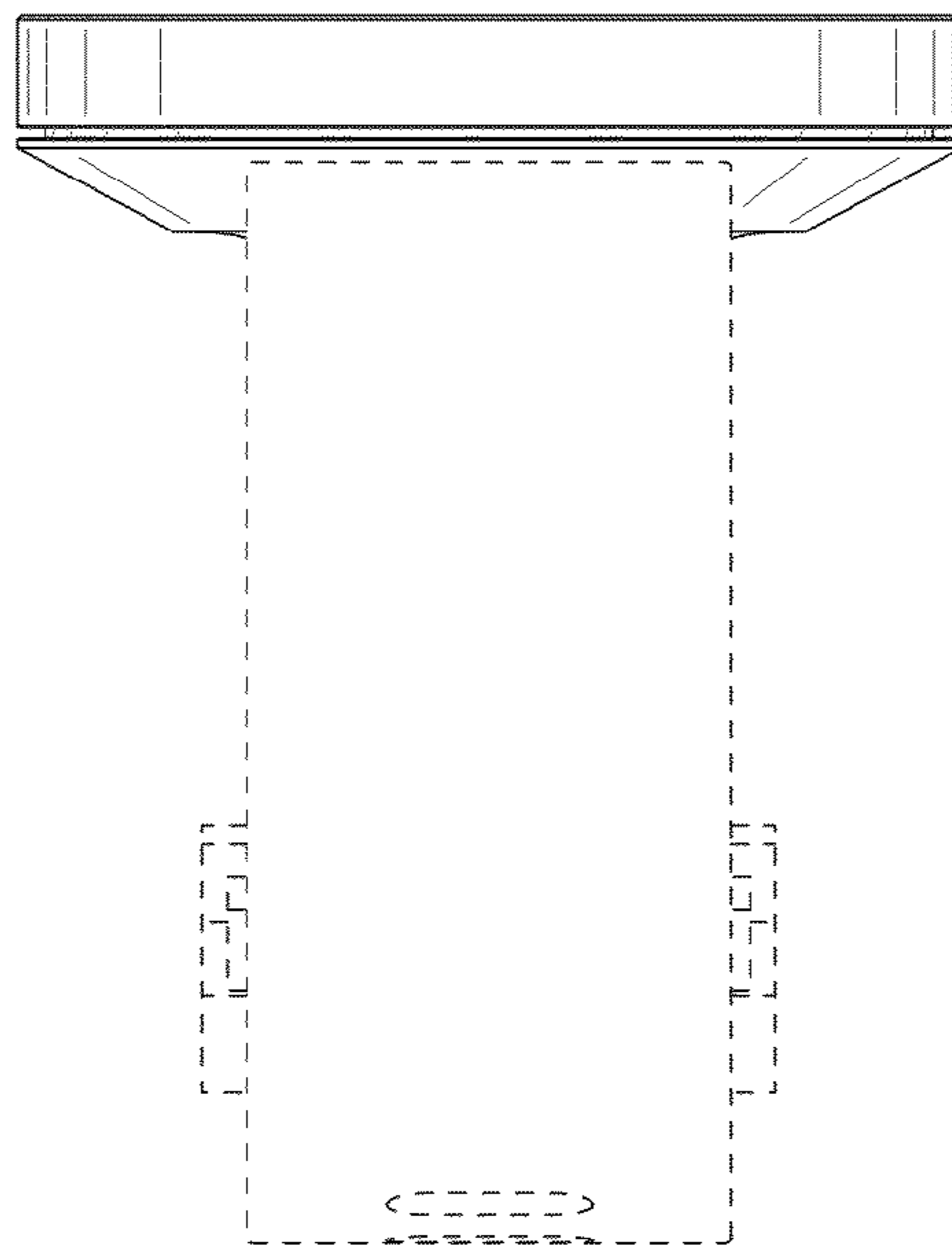


FIG. 7

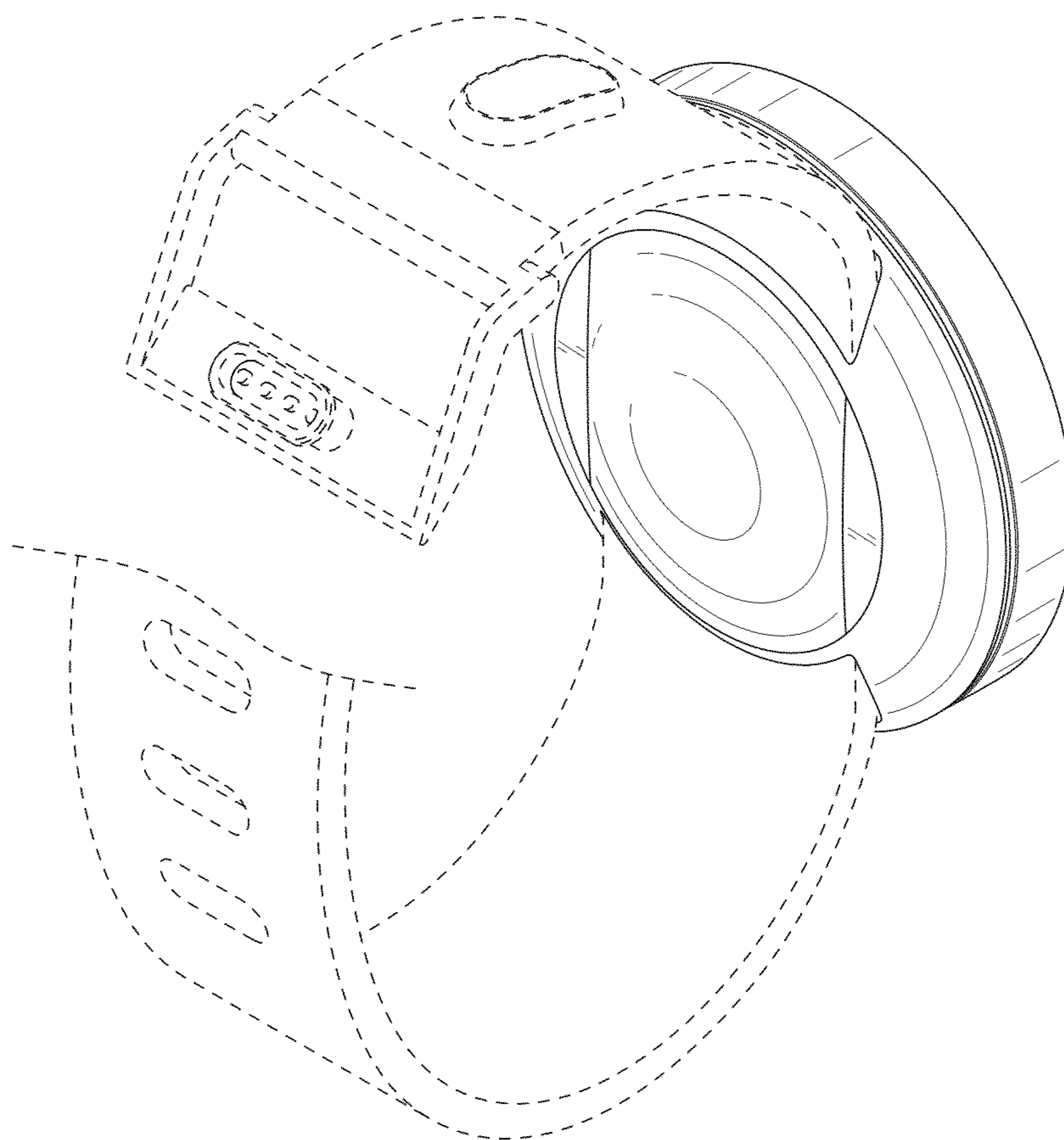


FIG. 8

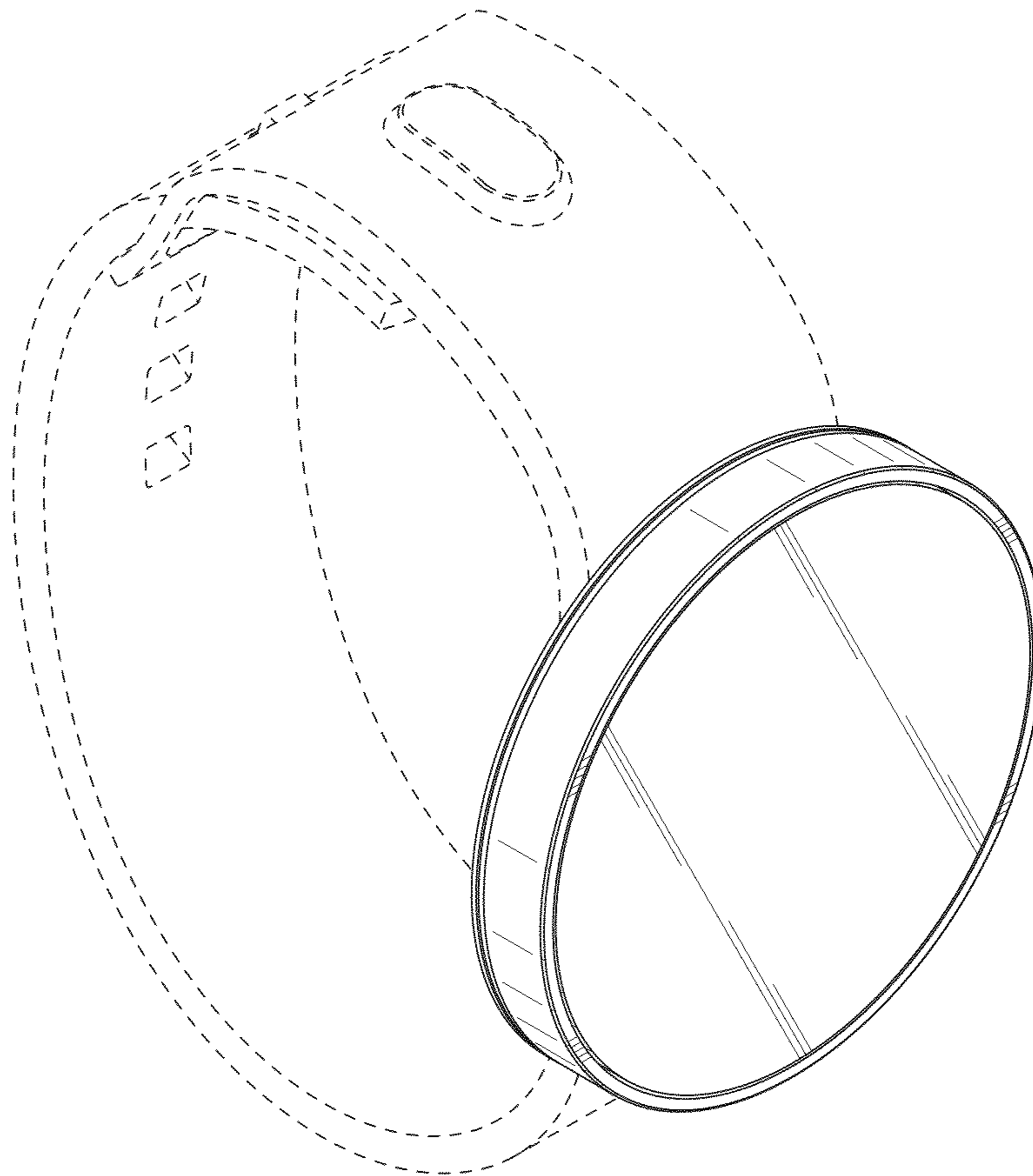


FIG. 9



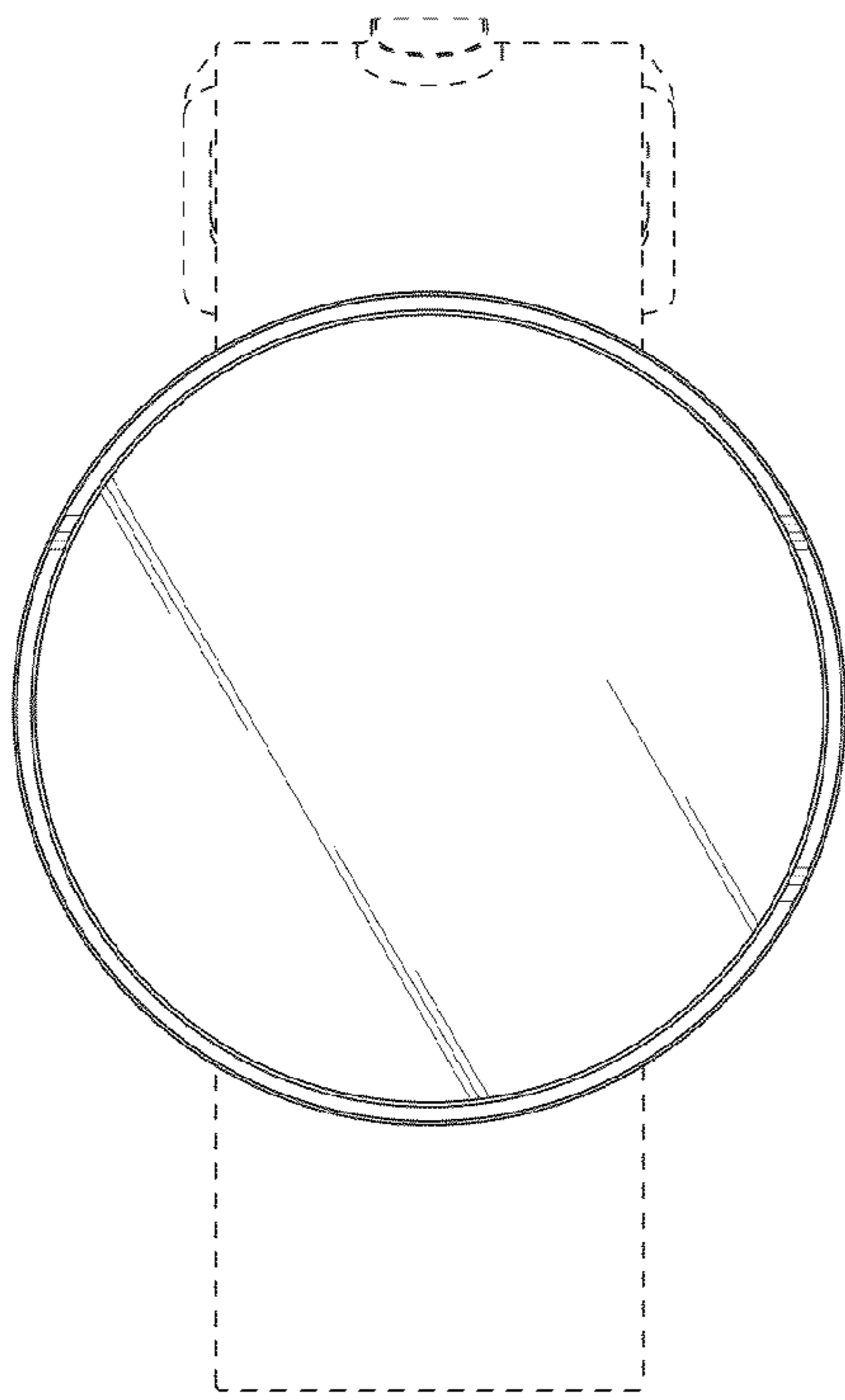


FIG. 10

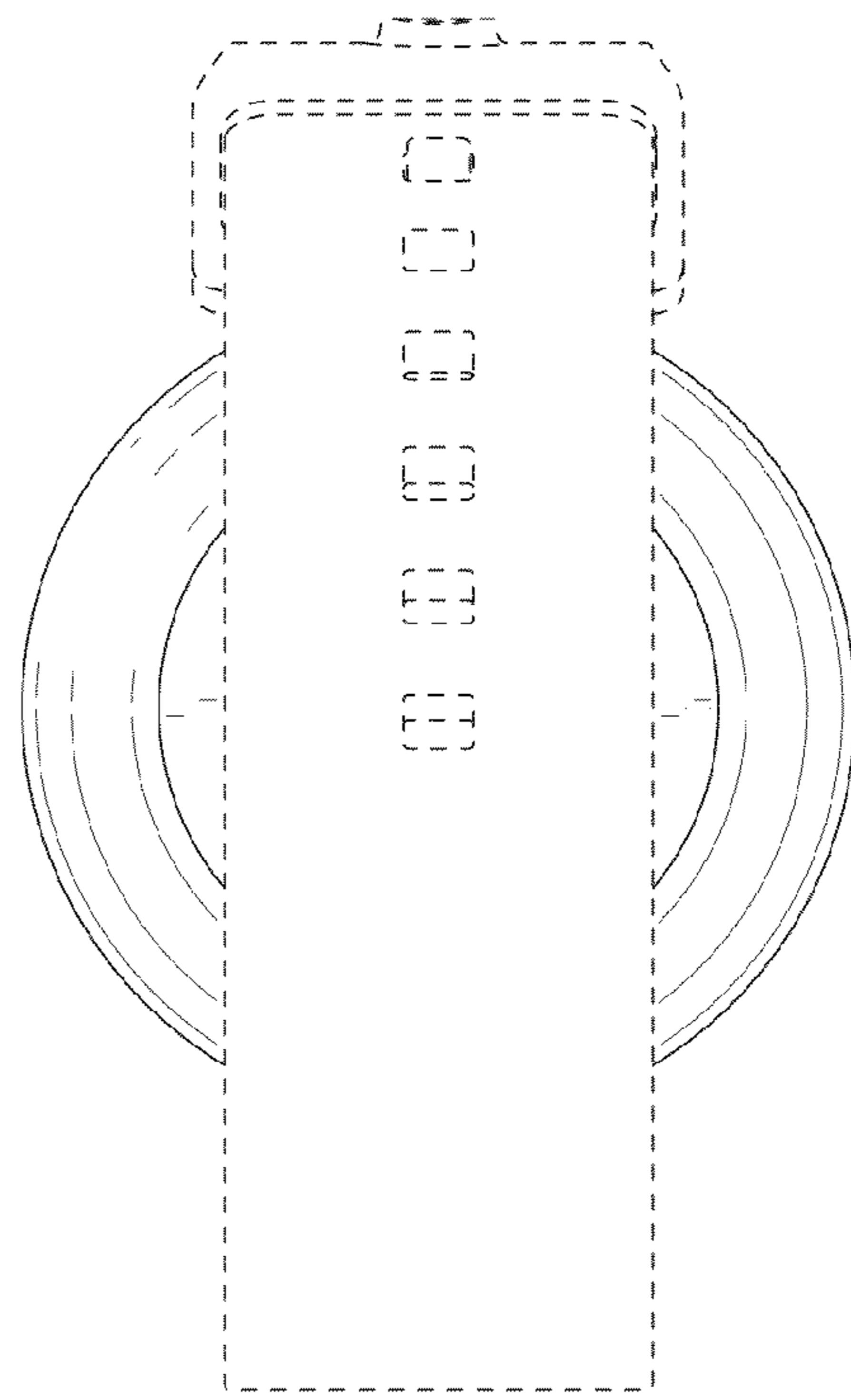


FIG. 11

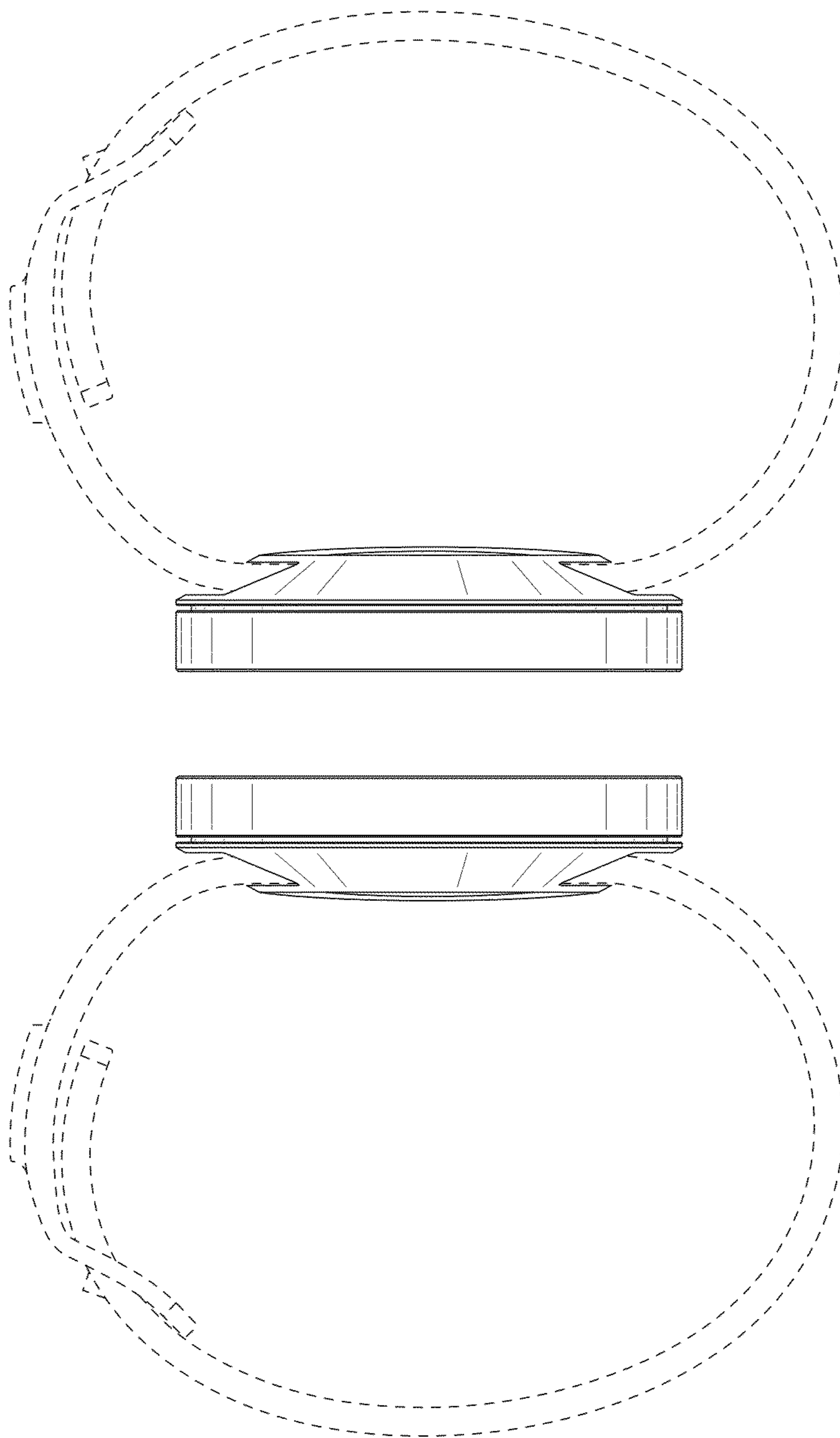


FIG. 13

FIG. 12

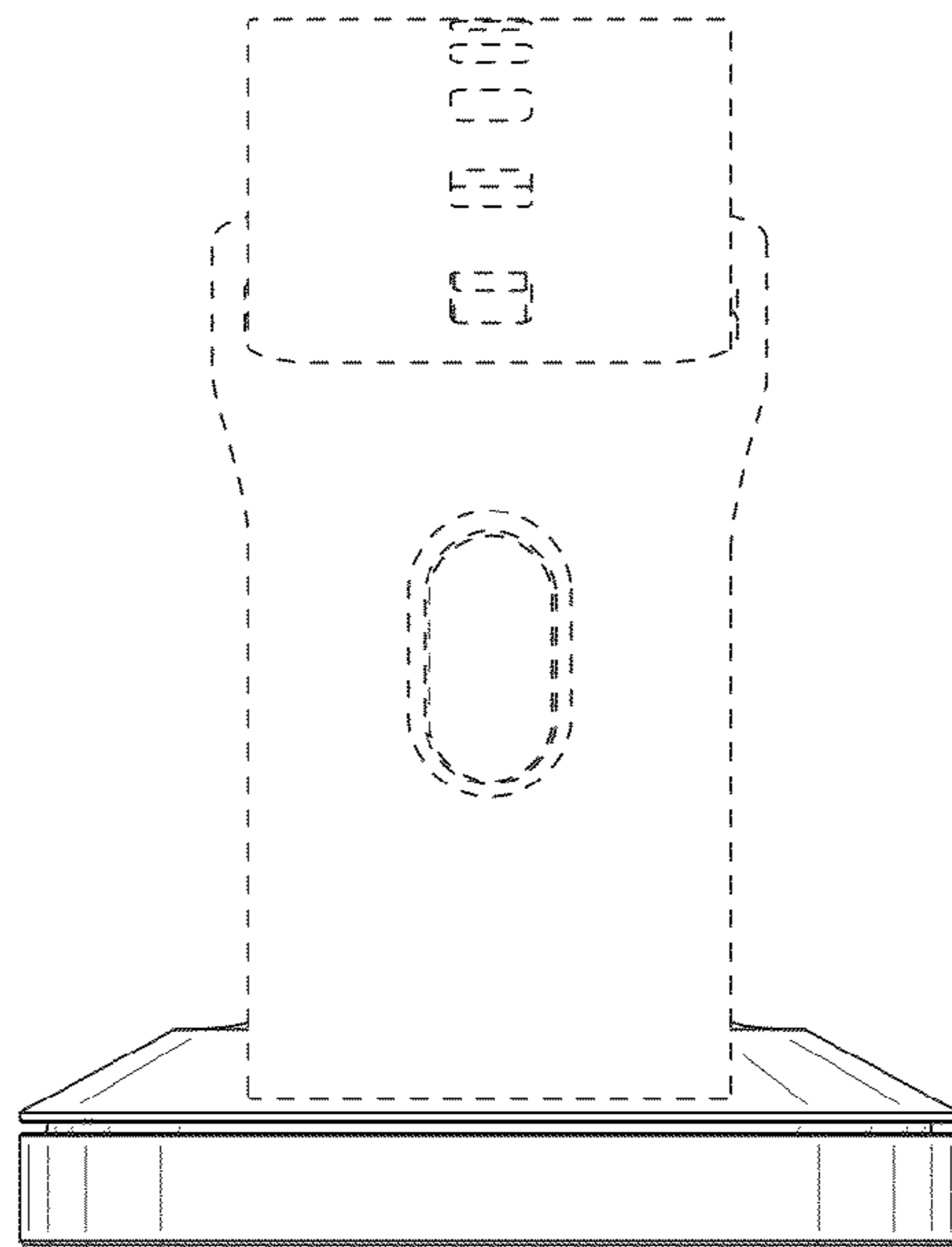


FIG. 14

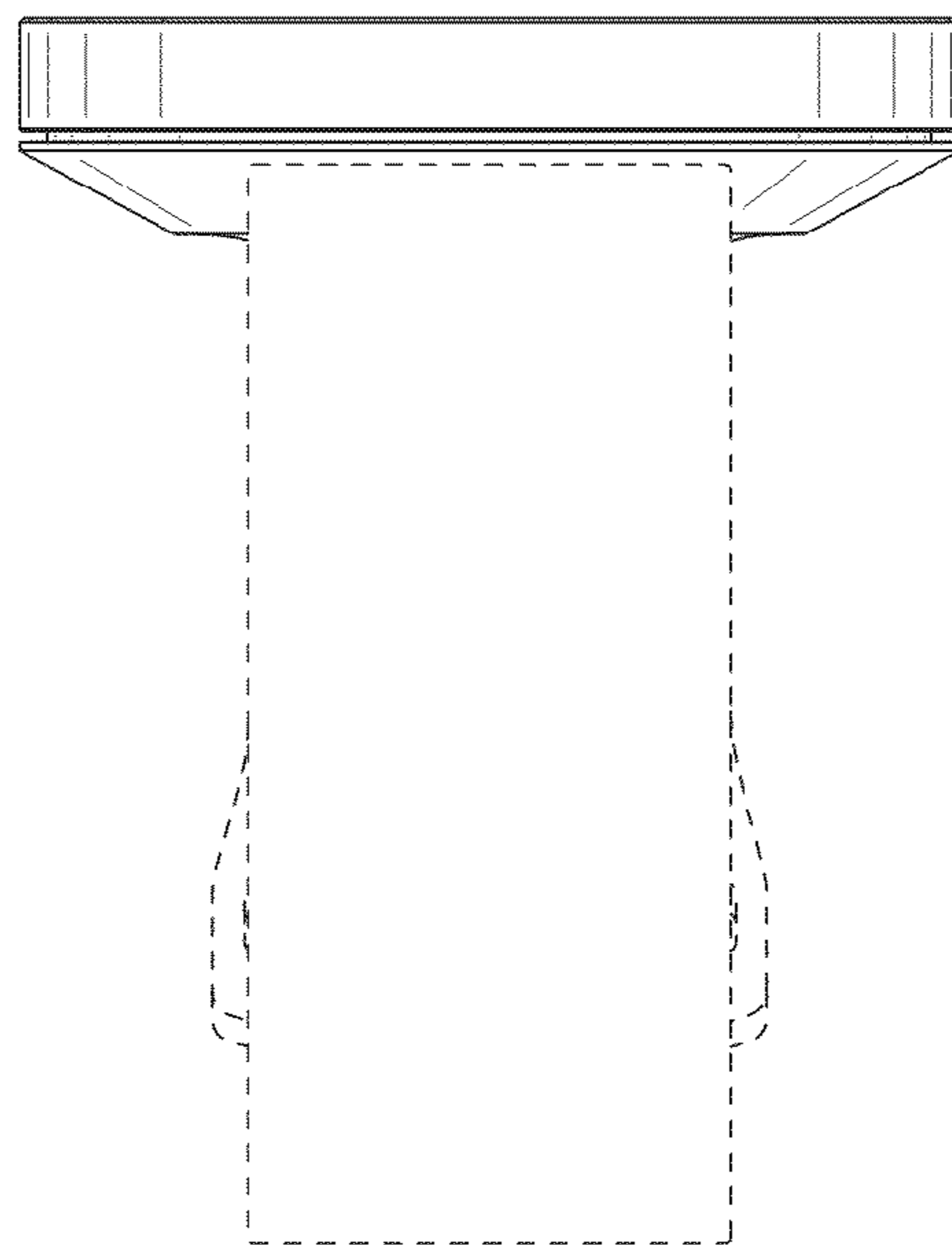


FIG. 15