



US00D759650S

(12) **United States Design Patent**
Avery et al.

(10) **Patent No.:** **US D759,650 S**
(45) **Date of Patent:** **** Jun. 21, 2016**

- (54) **TABLET LEARNING DEVICE**
- (71) Applicant: **LeapFrog Enterprises, Inc.**,
Emeryville, CA (US)
- (72) Inventors: **Jason Avery**, San Francisco, CA (US);
Jim Gresko, Rochester, NY (US)
- (73) Assignee: **LeapFrog Enterprises, Inc.**,
Emeryville, CA (US)

- D480,720 S * 10/2003 Sjoberg D14/341
- D485,267 S * 1/2004 Chien
- D489,717 S * 5/2004 Hsieh D14/341
- D493,495 S * 7/2004 Avery
- D499,401 S * 12/2004 Miller D14/342
- D501,007 S * 1/2005 Heng D14/341
- D503,171 S * 3/2005 Park D14/346
- D514,459 S * 2/2006 Silzer, Jr. D10/65
- D515,633 S * 2/2006 Avery
- 7,083,420 B2 8/2006 Wood et al.
- D545,784 S * 7/2007 Dayan D14/126

(Continued)

(**) Term: **14 Years**

OTHER PUBLICATIONS

(21) Appl. No.: **29/448,103**

LeapPad Ultra XDi Learning Tablet, announced Jun. 24, 2014 [online]. [site visited Sep. 8, 2014]. Available from Internet, URL: <http://www.leapfrog.com/en-us/store/p/leappad-ultra/_/A-prod33200>.*

(22) Filed: **Mar. 8, 2013**

(51) **LOC (10) Cl.** **14-02**

(52) **U.S. Cl.**
USPC **D14/341; D21/329**

(Continued)

(58) **Field of Classification Search**
USPC D14/341-347, 137, 138 R, 138 AA, D14/138 C, 138 G, 496, 203.1, 203.3, 203.4, D14/203.7, 129, 130, 147, 218, 247, 248, D14/385, 388, 389, 315-318, 420, 426; D10/65, 104.1; D18/6, 7; D21/324, D21/329, 330, 332; 455/556.1, 556.2, 566, 455/575.1, 90.3; 379/433.04, 433.01, 379/433.06, 916; 345/173, 901, 905; 361/679.26, 679.27, 679.3, 679.55, 361/679.56; D6/308, 310; D19/25, 50-60; 248/917-924; 348/376

Primary Examiner — Barbara Fox
Assistant Examiner — Dana K Weiland
(74) *Attorney, Agent, or Firm* — Kilpatrick Townsend & Stockton LLP

See application file for complete search history.

(57) **CLAIM**
The ornamental design for tablet learning device, as shown and described.

(56) **References Cited**

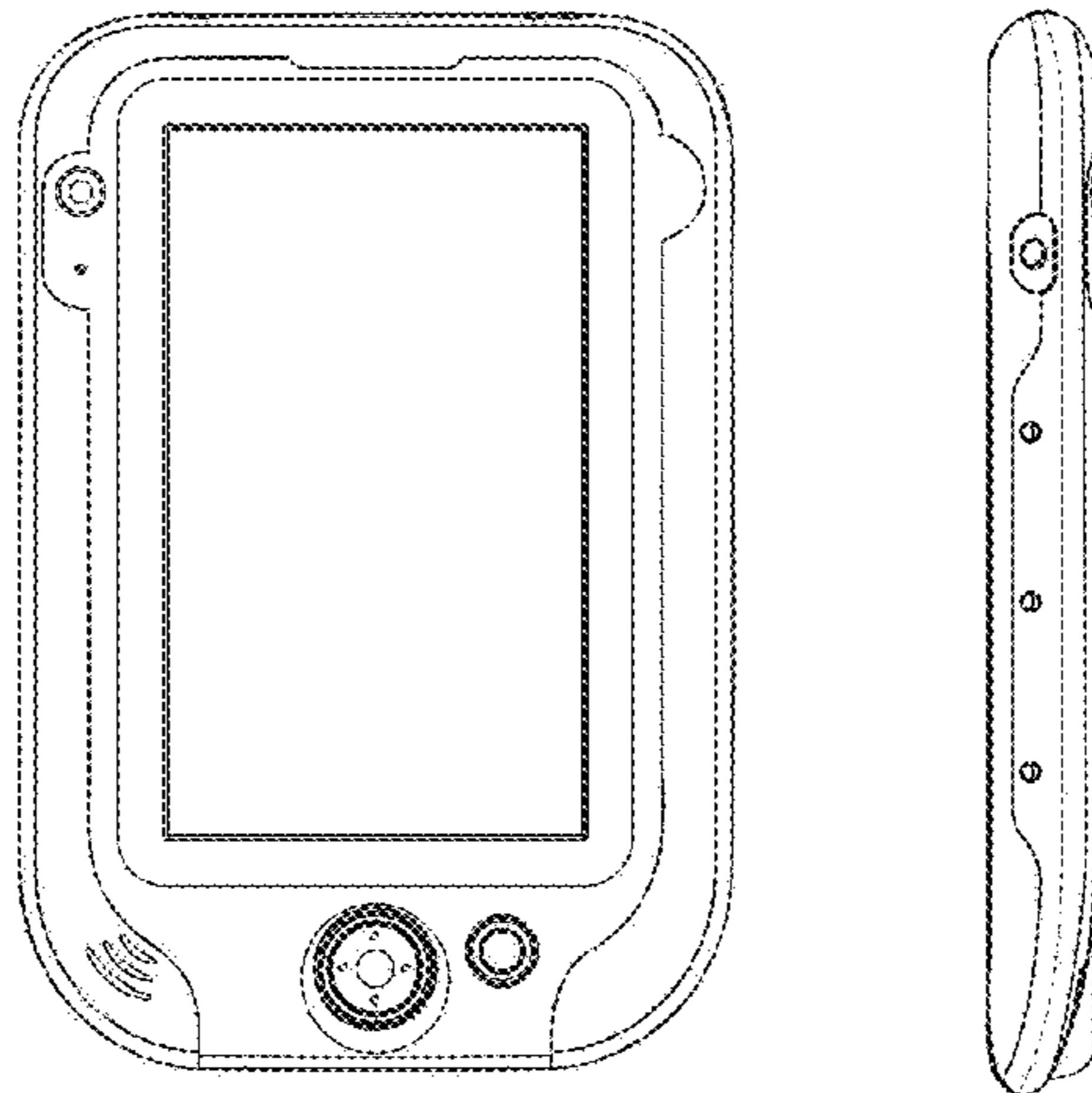
DESCRIPTION

U.S. PATENT DOCUMENTS

- D435,844 S * 1/2001 Yeh D14/341
- D442,173 S * 5/2001 Wang D14/342
- D442,583 S * 5/2001 Ohta D14/346
- D461,175 S * 8/2002 Yokota
- D461,845 S * 8/2002 Ishida D21/469
- D463,420 S * 9/2002 Stener D14/336
- D475,736 S * 6/2003 Hsu D18/7
- D479,527 S * 9/2003 Eigenstetter D14/346

FIG. 1 is a front elevation view of a tablet learning device showing our new design;
FIG. 2 is a back elevation view thereof;
FIG. 3 is a left side elevation view thereof;
FIG. 4 is a right side elevation view thereof;
FIG. 5 is a bottom elevation view thereof;
FIG. 6 is a top elevation view thereof; and,
FIG. 7 is a perspective view thereof.
The broken lines shown in the drawings represent portions of the tablet learning device that form no part of the claimed design.

1 Claim, 5 Drawing Sheets



(56)

References Cited

U.S. PATENT DOCUMENTS

D545,789 S * 7/2007 Dayan D14/126
 7,249,950 B2 7/2007 Freeman et al.
 7,529,519 B2 5/2009 Wood et al.
 7,553,160 B2 6/2009 Wood et al.
 D601,113 S * 9/2009 Wang D14/138 AD
 8,025,504 B2 9/2011 Freeman et al.
 8,025,505 B2 9/2011 Wood et al.
 D646,726 S 10/2011 Avery
 D656,478 S * 3/2012 Barley D14/159
 D674,387 S * 1/2013 Avery D14/341
 D700,000 S * 2/2014 Avery D14/341
 D723,550 S * 3/2015 Krueger D14/341
 D733,900 S * 7/2015 Hagege D24/200
 D746,811 S * 1/2016 Avery D14/341

2004/0214146 A1 10/2004 Harris et al.
 2004/0224775 A1 11/2004 Wood et al.
 2005/0106538 A1 5/2005 Freeman et al.
 2006/0188861 A1 8/2006 Wood et al.
 2008/0048991 A1 2/2008 Freeman et al.
 2013/0244217 A1* 9/2013 Potts G09B 5/02
 434/324

OTHER PUBLICATIONS

Design U.S. Appl. No. 29/488,891, filed Apr. 24, 2014, by applicant Leapfrog Enterprises, Inc., inventors Avery and Gresko.
 U.S. Appl. No. 13/615,462, filed Sep. 13, 2012, by inventors Potts and Brown.
 Notice of Allowance dated Oct. 29, 2012, issued in Design U.S. Appl. No. 29/401,729, filed Sep. 14, 2011. 6 pages.

* cited by examiner

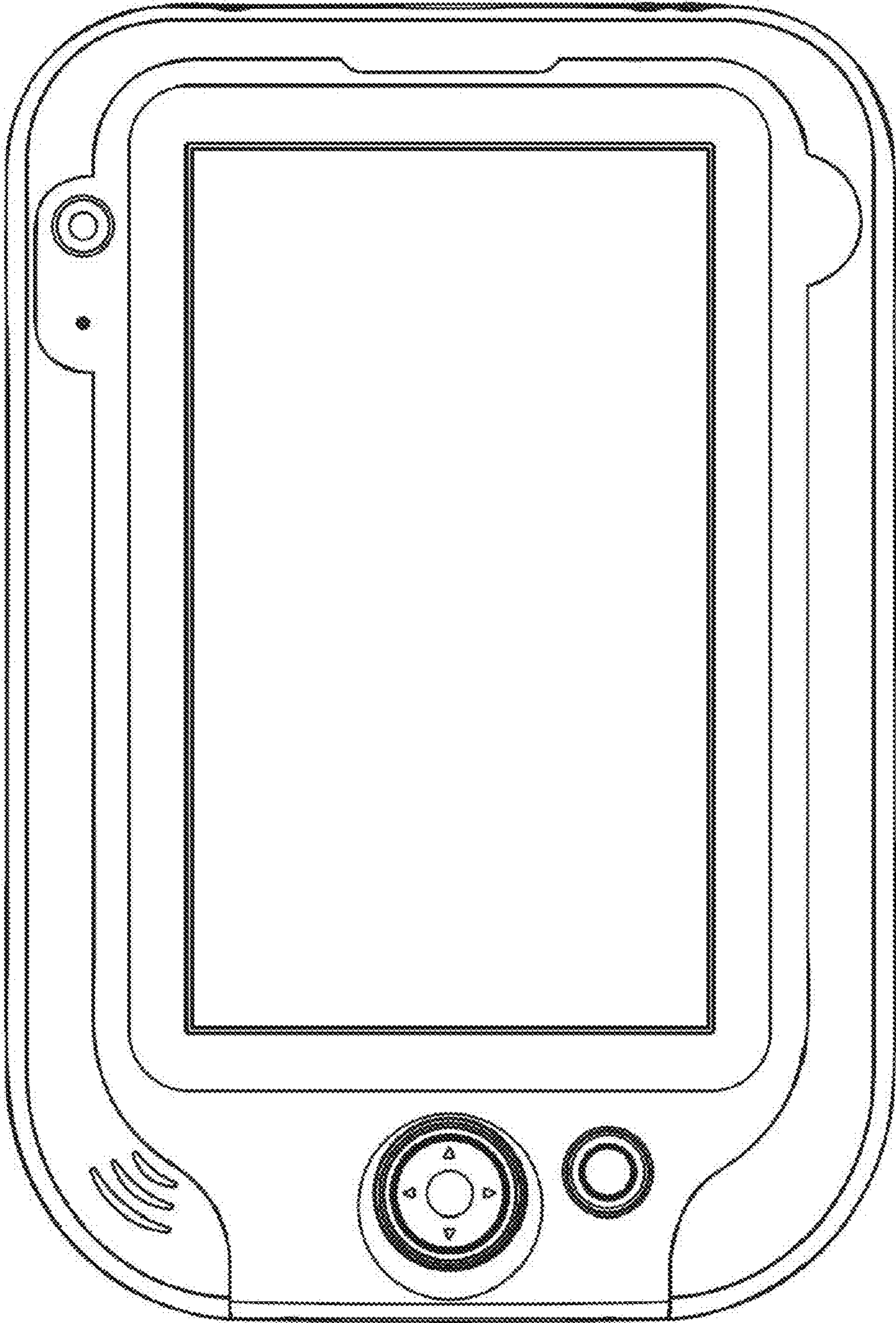


FIG. 1

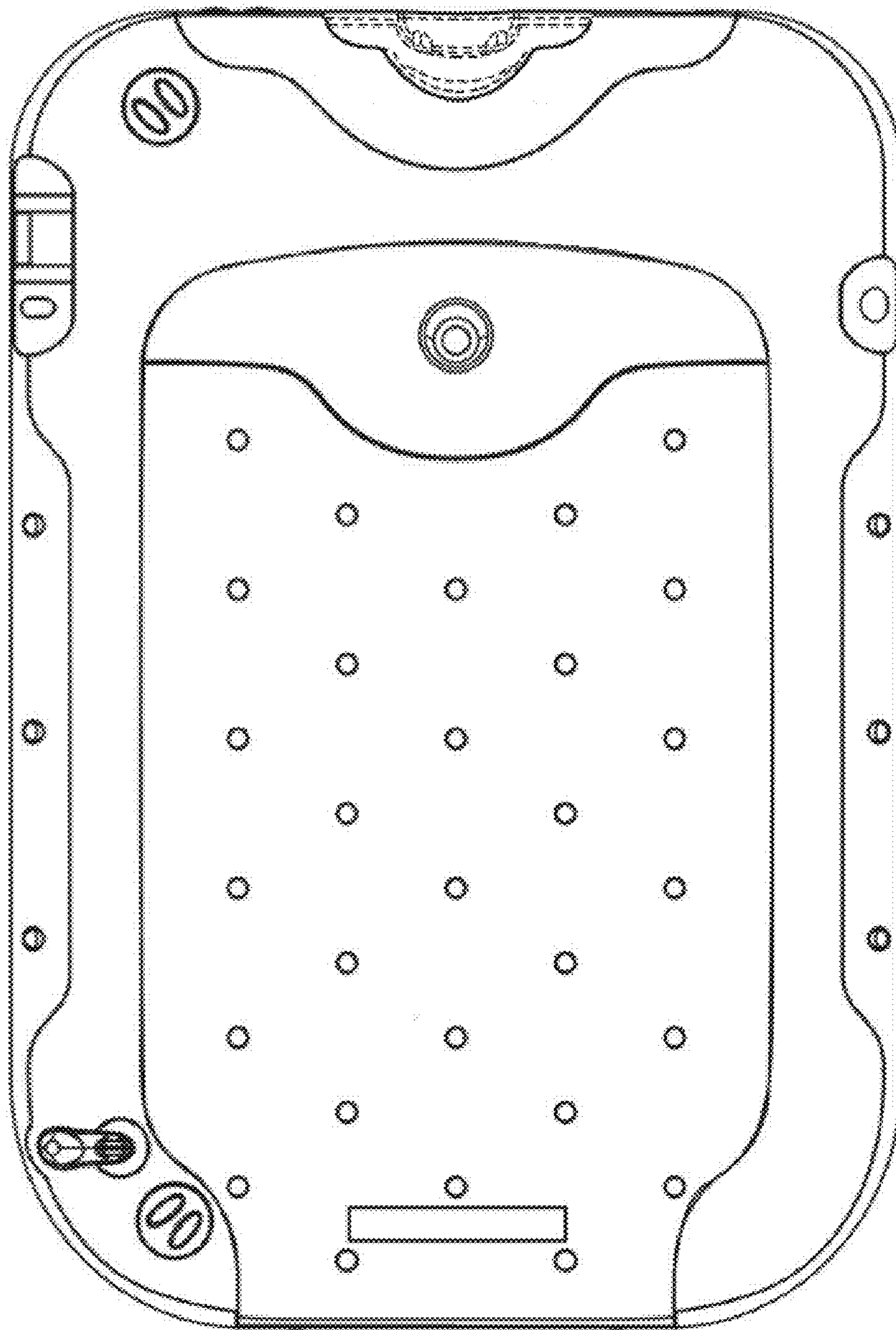


FIG. 2

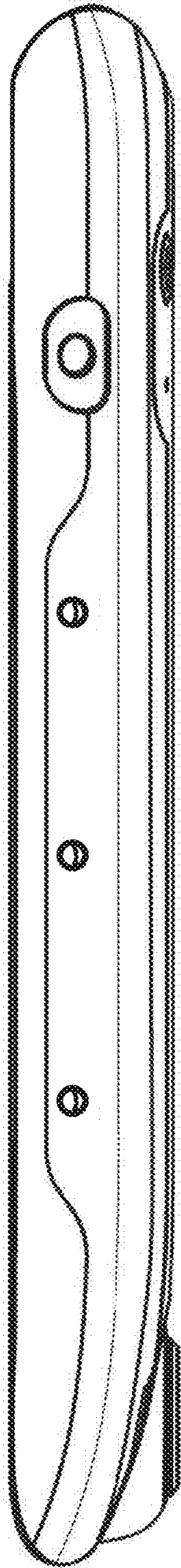


FIG. 3

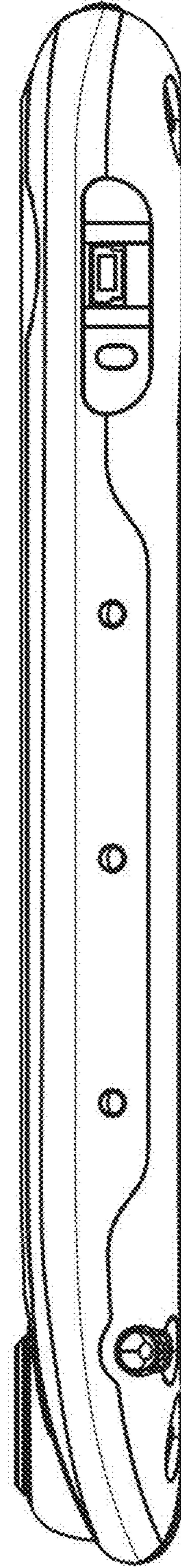


FIG. 4

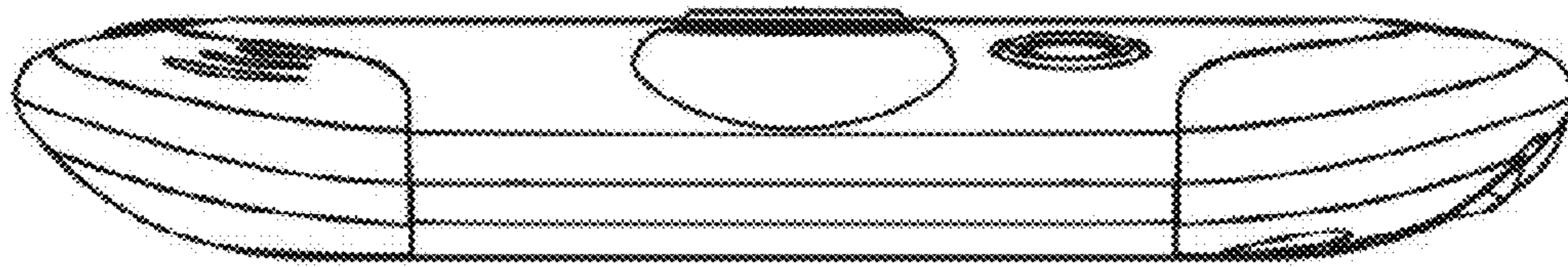


FIG. 5

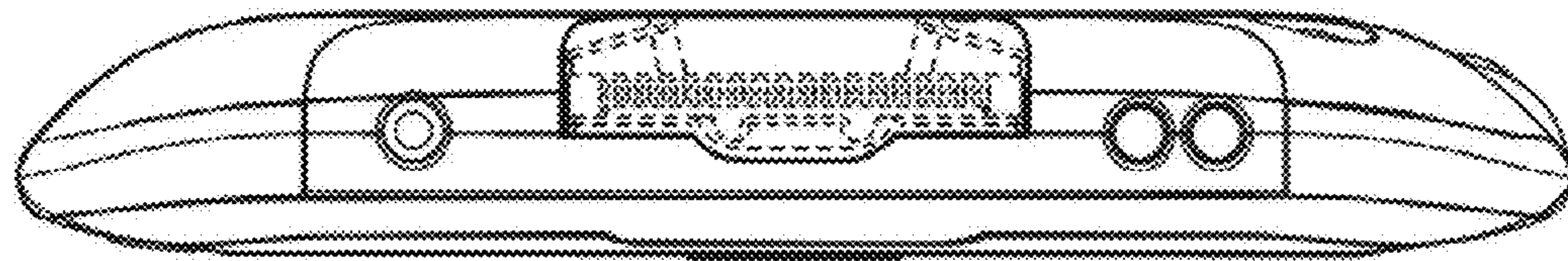


FIG. 6

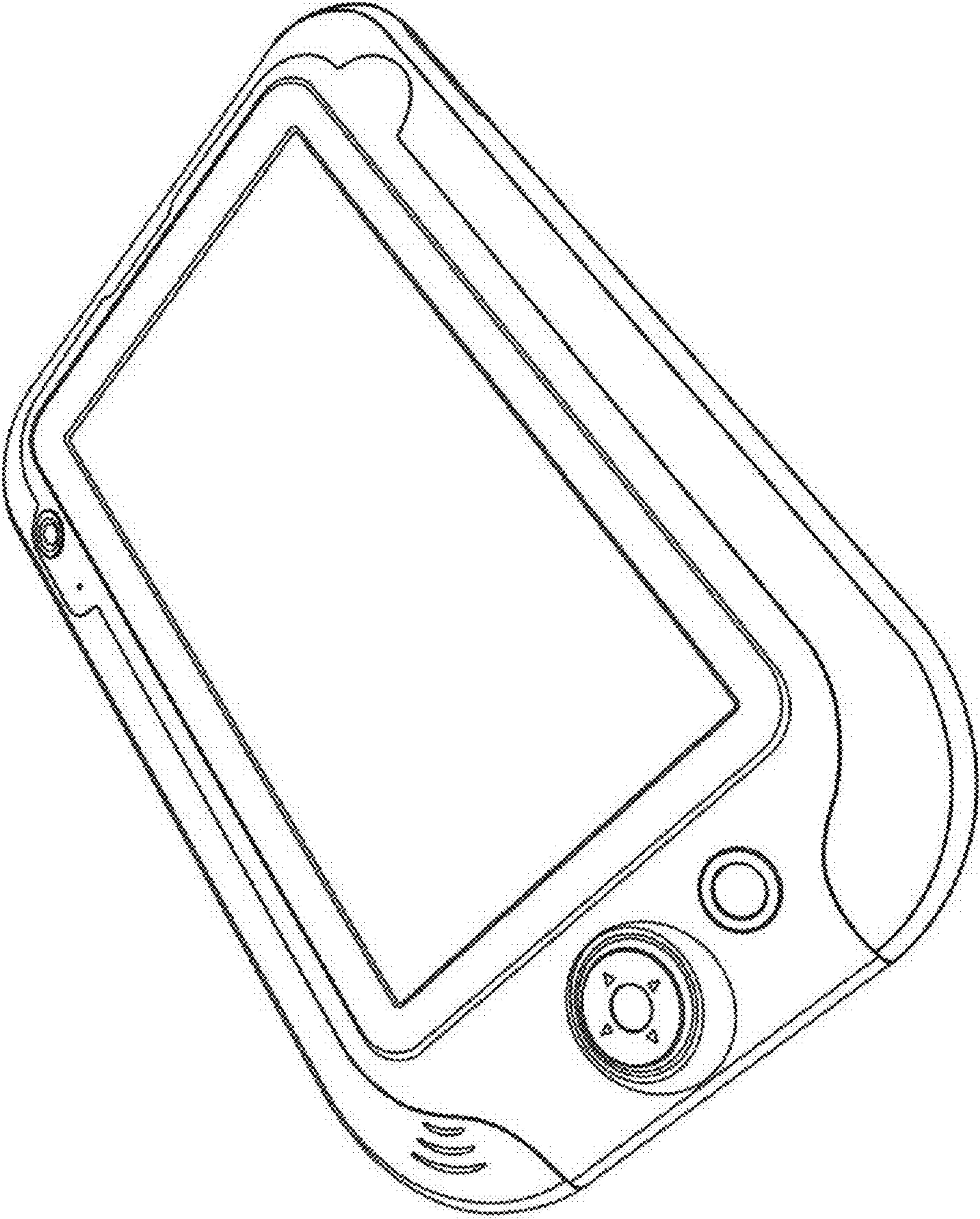


FIG. 7