



US00D759647S

(12) **United States Design Patent**
Gallup et al.

(10) **Patent No.:** **US D759,647 S**
(45) **Date of Patent:** **** Jun. 21, 2016**

(54) **STORAGE POCKET WITH BENDABLE STRAP FOR ELECTRONIC DEVICES**

(71) Applicant: **Lagpull Industries, Inc.**, Rochester Hills, MI (US)

(72) Inventors: **Eric Gallup**, Rochester Hills, MI (US);
Jonathan A. Marks, Somerville, MA (US)

(73) Assignee: **Lagpull Industries, Inc.**, Rochester Hills, MI (US)

(**) Term: **14 Years**

(21) Appl. No.: **29/494,730**

(22) Filed: **Jun. 24, 2014**

(51) **LOC (10) Cl.** **14-03**

(52) **U.S. Cl.**
USPC **D14/253**; D14/440

(58) **Field of Classification Search**
USPC D3/218, 215, 201, 294, 289, 900, 318;
D14/454, 402, 250, 440, 253;
428/40.1; 200/302.1
CPC G06F 1/1675; G06F 1/1679; G02F 1/133;
G02F 1/133308; G02F 1/153; G02F 1/1533;
G02F 2001/133317; H04M 1/185; H04M
1/0252; H04B 1/3888; A45C 1/06; A45C
3/08

See application file for complete search history.

(56) **References Cited**

U.S. PATENT DOCUMENTS

D340,622 S * 10/1993 Park D6/513
D628,375 S * 12/2010 Andre D3/218

D645,902 S * 9/2011 Tsai D19/90
D650,987 S * 12/2011 Rothbauer D3/215
D651,793 S * 1/2012 Willows D3/226
D677,252 S * 3/2013 Baum D14/253
D689,045 S * 9/2013 Mardas D14/253
D707,221 S * 6/2014 Hodapp D14/253
D729,790 S * 5/2015 Baum D14/253
2006/0076381 A1 * 4/2006 Elizalde Rodarte A45F 5/00
224/600
2007/0235492 A1 * 10/2007 Sirichai A45C 11/00
224/675
2008/0164174 A1 * 7/2008 Chan A45C 13/02
206/474
2008/0302687 A1 * 12/2008 Sirichai A45F 5/02
206/320
2011/0057002 A1 * 3/2011 Westra A45F 5/10
224/218

* cited by examiner

Primary Examiner — Cynthia Underwood

(74) *Attorney, Agent, or Firm* — Carlson, Gaskey & Olds, P.C.

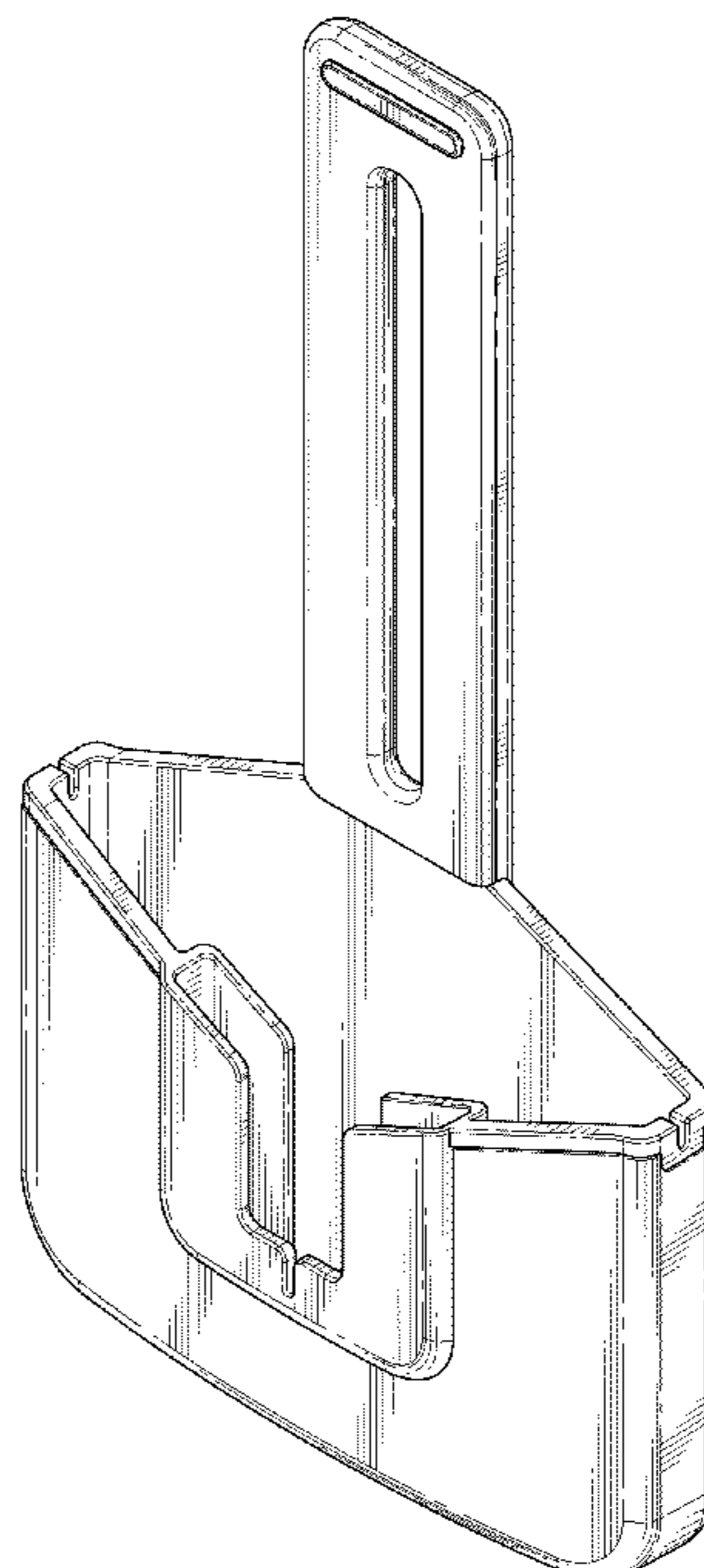
(57) **CLAIM**

The ornamental design for a storage pocket with bendable strap for electronic devices, as shown and described.

DESCRIPTION

FIG. 1 is a perspective view of the storage pocket in accordance with the present invention;
FIG. 2 is a front elevation of the storage pocket;
FIG. 3 is a rear elevation of the storage pocket;
FIG. 4 is a left side elevation of the storage pocket, it being understood that the right side elevation is a mirror image thereof;
FIG. 5 is a top plan view of the storage pocket; and,
FIG. 6 is a bottom plan view of the storage pocket.

1 Claim, 5 Drawing Sheets



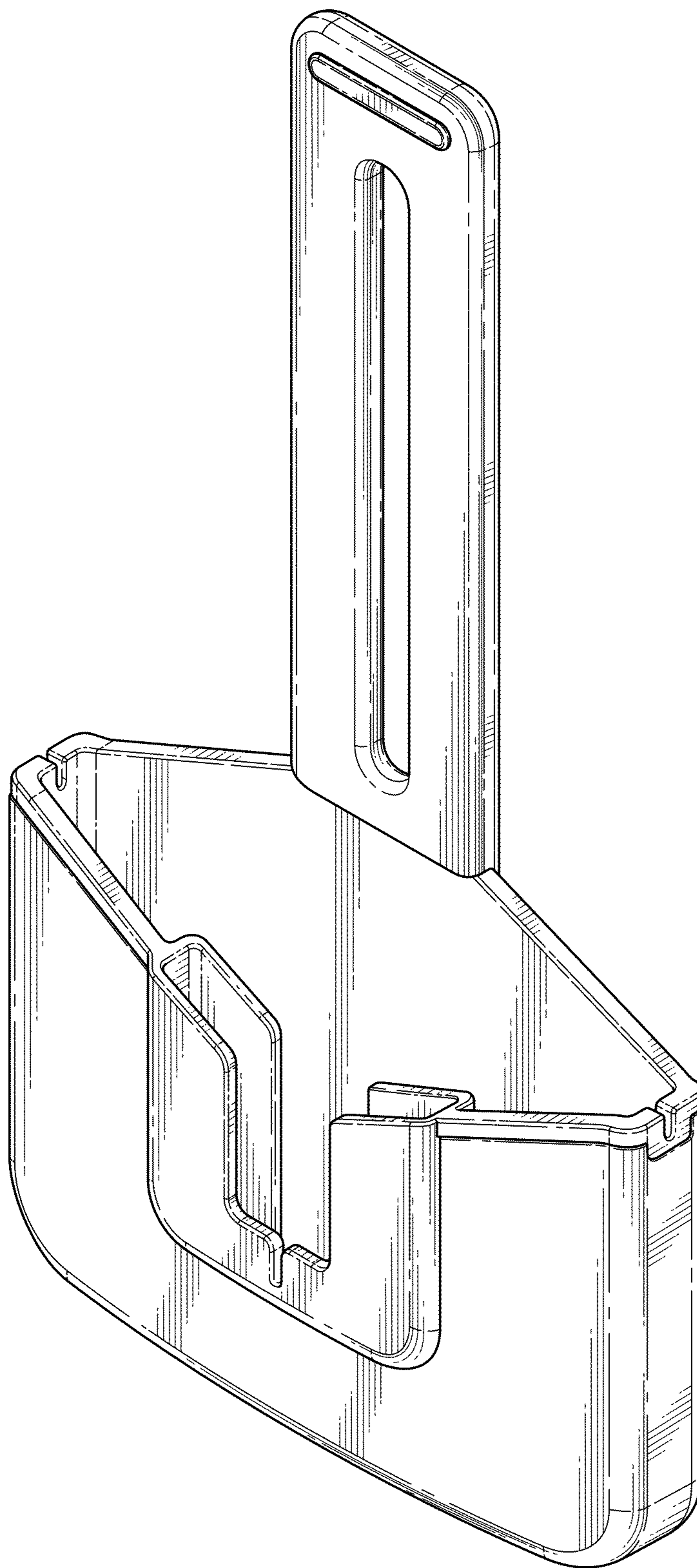


FIG. 1

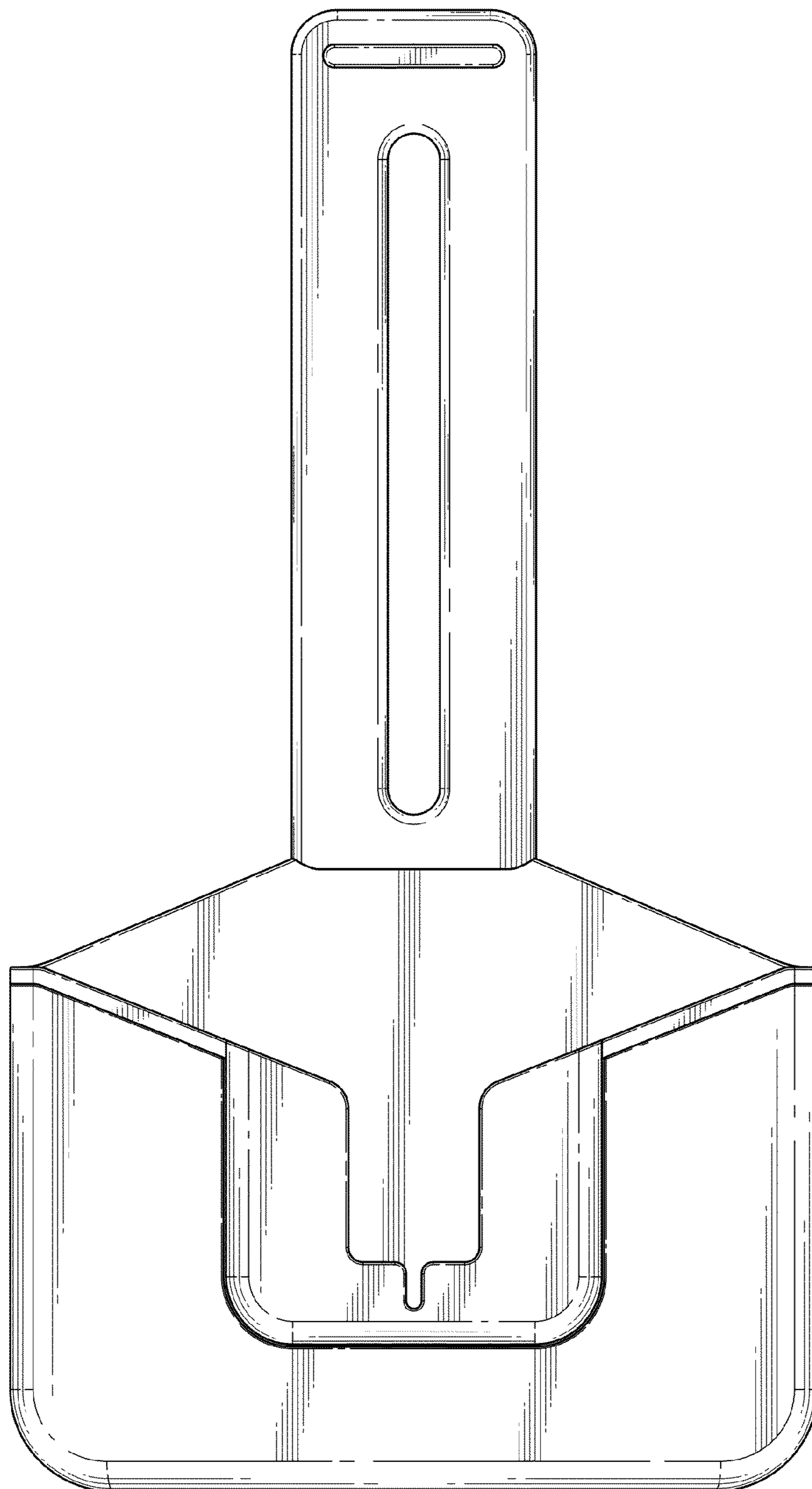


FIG. 2

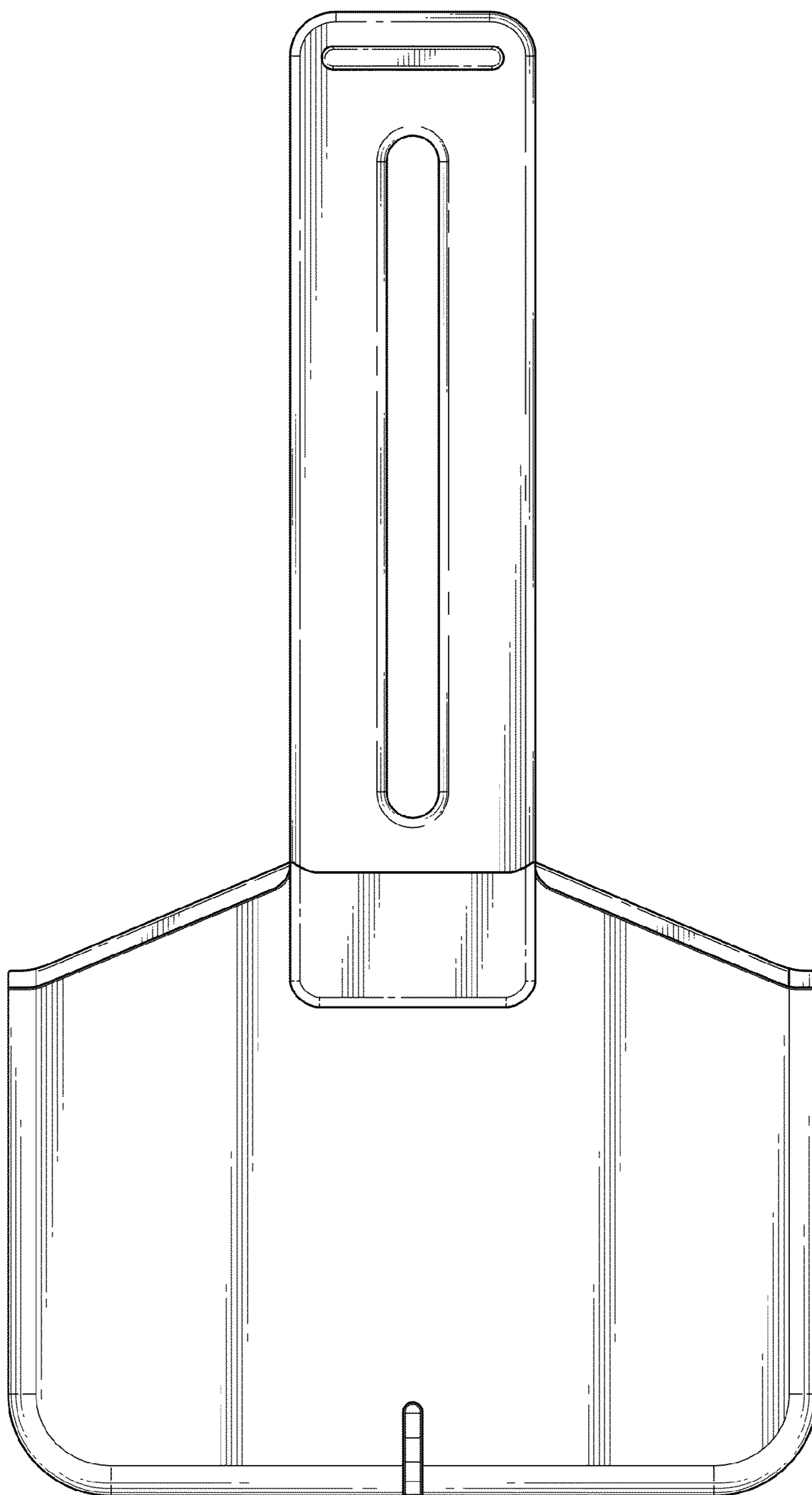


FIG. 3



FIG. 4

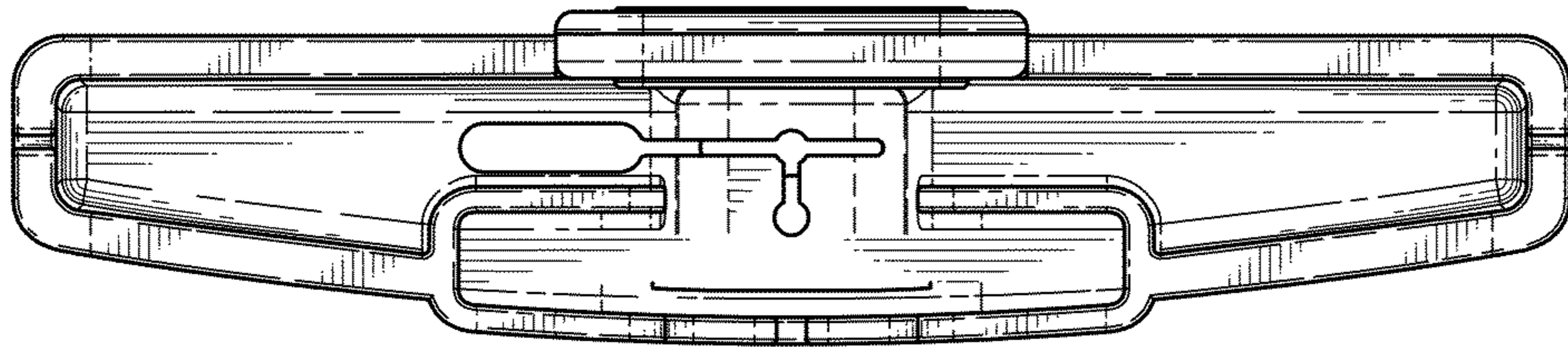


FIG. 5

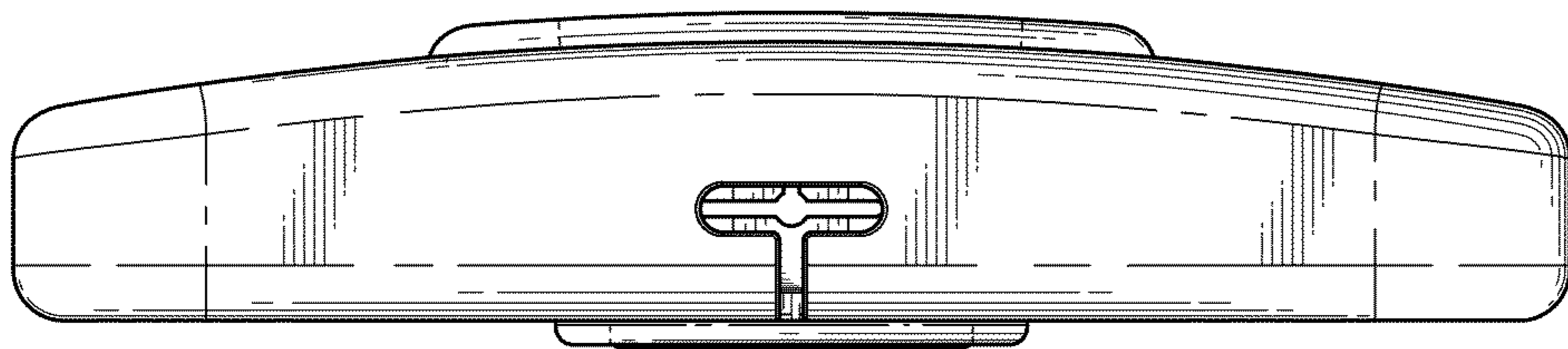


FIG. 6