



US00D759646S

(12) **United States Design Patent**
Karis et al.

(10) **Patent No.:** **US D759,646 S**
(45) **Date of Patent:** **** Jun. 21, 2016**

- (54) **ELECTRONIC DEVICE CARRYING CASE**
- (71) Applicant: **Karis and Drake, LLC**, Los Angeles, CA (US)
- (72) Inventors: **Colleen Karis**, Los Angeles, CA (US); **Maggie Drake**, Los Angeles, CA (US)
- (73) Assignee: **Karis & Drake, LLC**, Los Angeles, CA (US)
- (**) Term: **15 Years**
- (21) Appl. No.: **29/532,615**
- (22) Filed: **Jul. 8, 2015**

Related U.S. Application Data

- (63) Continuation of application No. 29/459,564, filed on Jul. 1, 2013, now Pat. No. Des. 736,196.
- (51) **LOC (10) Cl.** **14-03**
- (52) **U.S. Cl.**
USPC **D14/250**
- (58) **Field of Classification Search**
USPC D14/250–253, 440, 203.3–203.7, 217, D14/496, 248, 238.1, 240, 447; D3/201, D3/218, 269, 301, 273, 303; D13/103, D13/107–108; 220/4.02; 248/309.1; 361/679.56; 379/426, 433.11, 455; 455/575.1, 575.8; 190/100; 206/305, 206/320
CPC A45C 2011/002; A45C 11/00; A45C 13/002; A45C 2011/003; H04M 1/0283; H04M 1/0202
See application file for complete search history.

(56) **References Cited**

U.S. PATENT DOCUMENTS

- D495,872 S * 9/2004 Patton D3/218
- D499,546 S * 12/2004 Smithers D3/218
- D520,738 S * 5/2006 Tarantino D3/218
- D521,726 S * 5/2006 Tarantino D3/215
- D533,994 S * 12/2006 Hussaini D3/218

- D562,807 S * 2/2008 Andre D14/223
- D615,447 S * 5/2010 Raum D11/79
- D629,329 S * 12/2010 Mudrick D11/87
- D649,539 S * 11/2011 Hong D14/250
- 8,300,388 B2 * 10/2012 Li A45F 3/14
224/254
- D678,871 S * 3/2013 Mishan D14/250
- D679,694 S * 4/2013 Fahrendorff D14/250
- D686,606 S * 7/2013 Hong D14/250
- D686,607 S * 7/2013 Hong D14/250
- 2001/0035442 A1 * 11/2001 Yokobori A45C 13/26
224/197
- 2009/0023484 A1 * 1/2009 Macklin A45C 11/00
455/575.6
- 2012/0262618 A1 * 10/2012 Weakly A45C 11/00
348/333.01

* cited by examiner

Primary Examiner — Sandra Snapp

Assistant Examiner — Holly E Thurman

(74) *Attorney, Agent, or Firm* — K&L Gates LLP

(57) **CLAIM**

The ornamental design for an electronic device carrying case, as shown and described.

DESCRIPTION

FIG. 1 is a back view of an electronic device carrying case showing our new design, in which the case is shown on a smaller scale;

FIG. 2 is a perspective view thereof;

FIG. 3 is a back view thereof;

FIG. 4 is a front view thereof;

FIG. 5 is a first end view thereof;

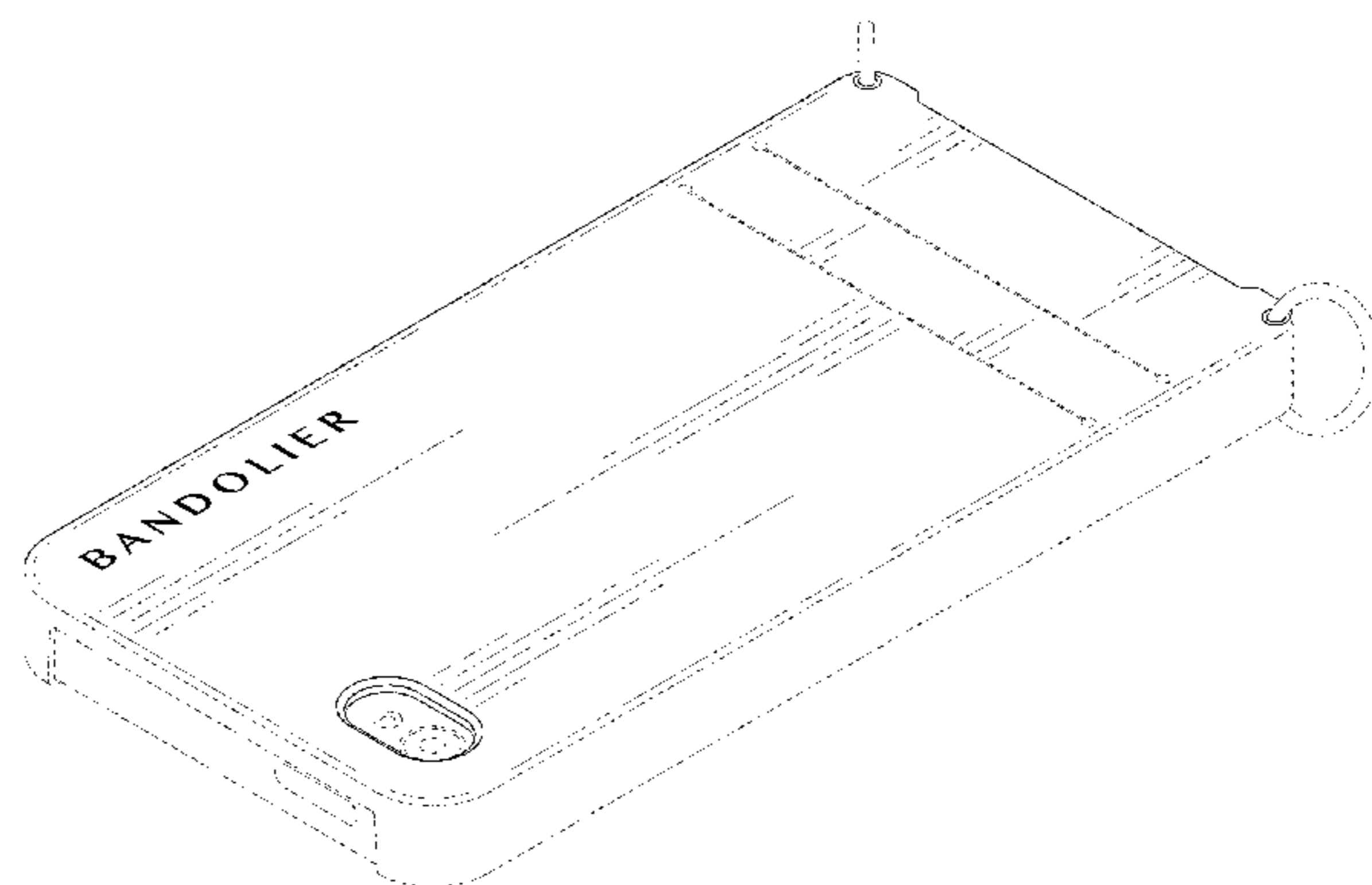
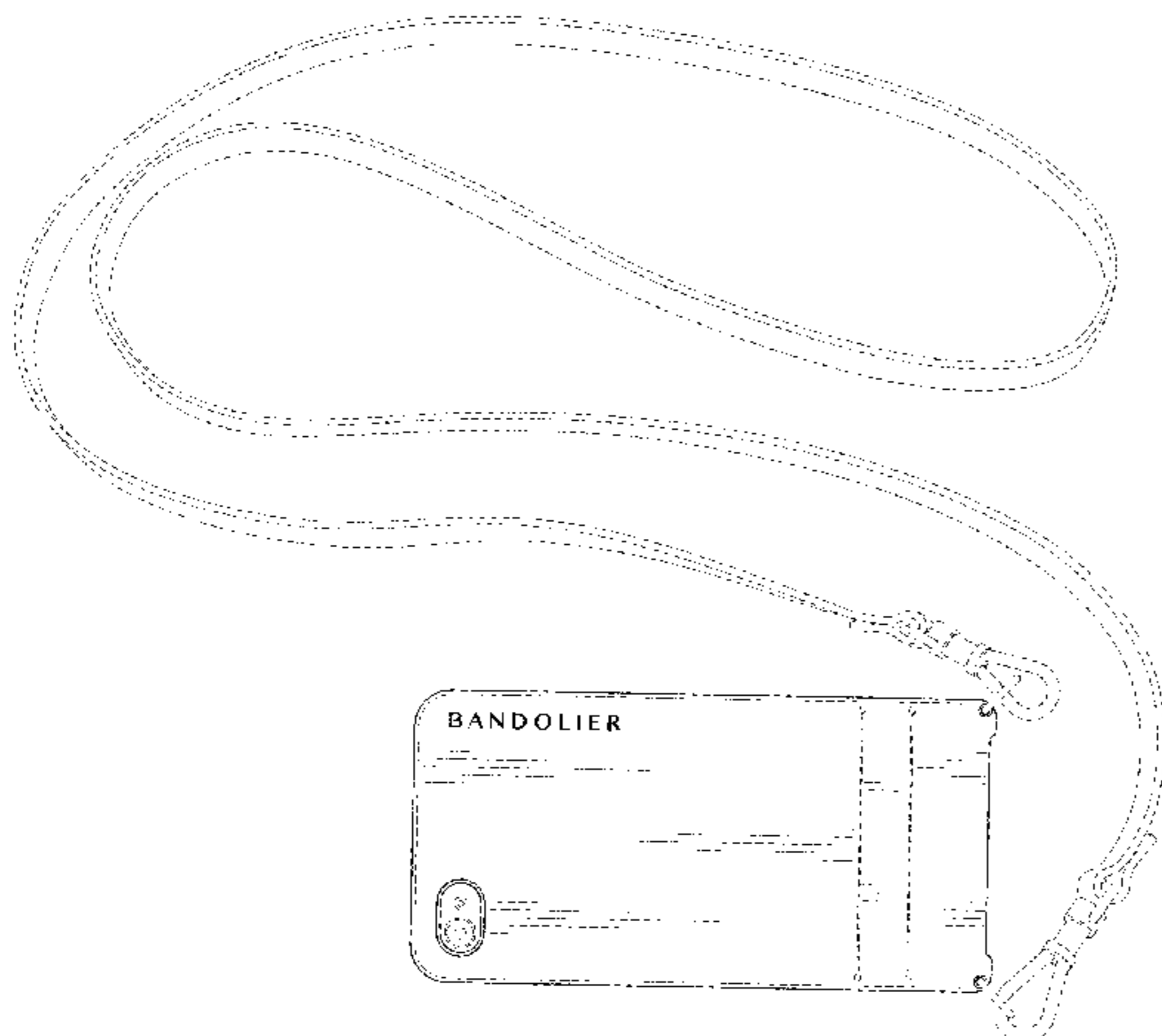
FIG. 6 is a second end view thereof;

FIG. 7 is a first side view thereof; and,

FIG. 8 is a second side view thereof.

The unshaded surfaces that are visible through the openings and the broken lines on the unshaded surfaces depict an unclaimed electronic device. All other broken lines depict unclaimed portions of the electronic device carrying case and unclaimed environment and form no part of the claimed design.

1 Claim, 5 Drawing Sheets



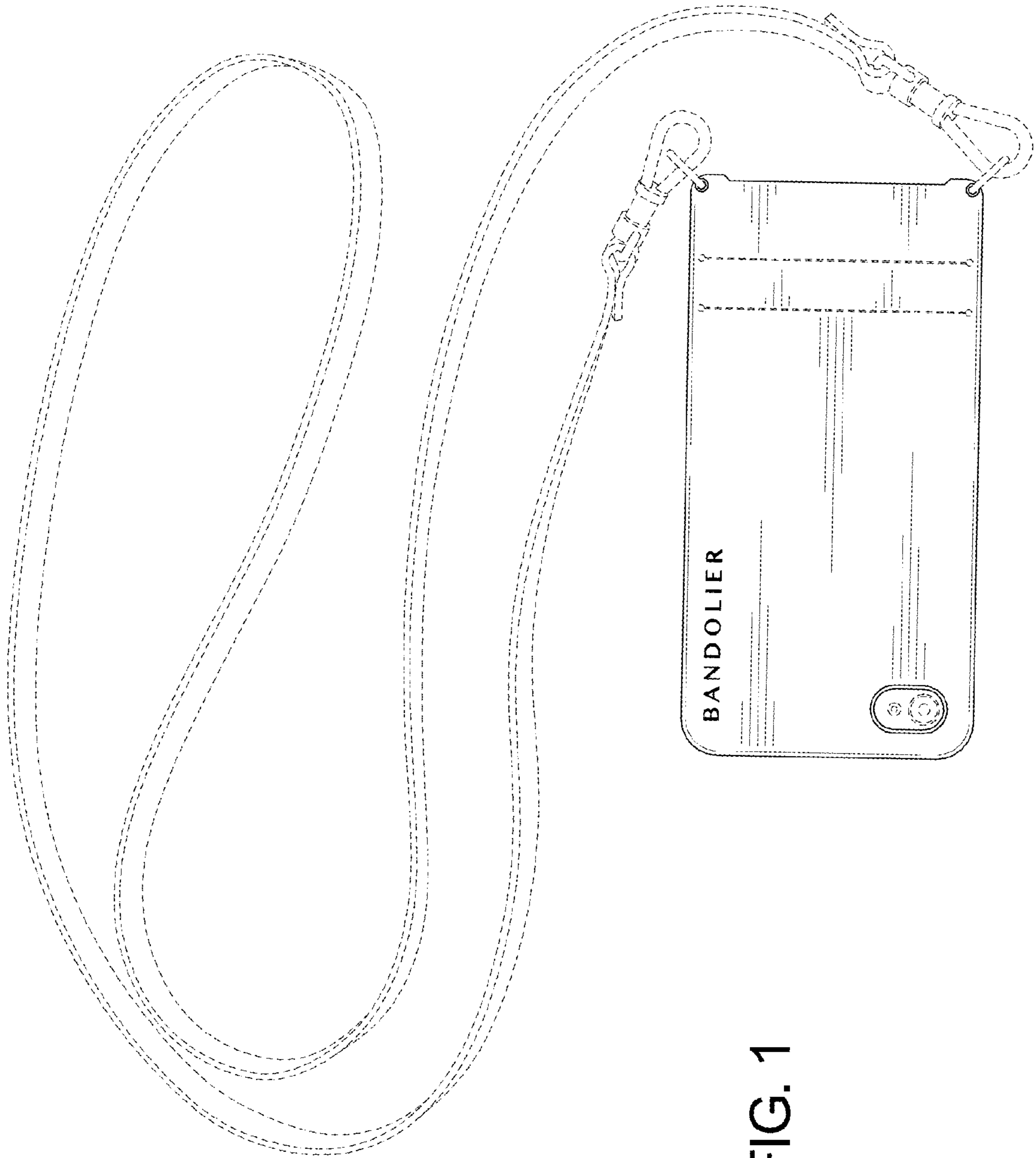


FIG. 1

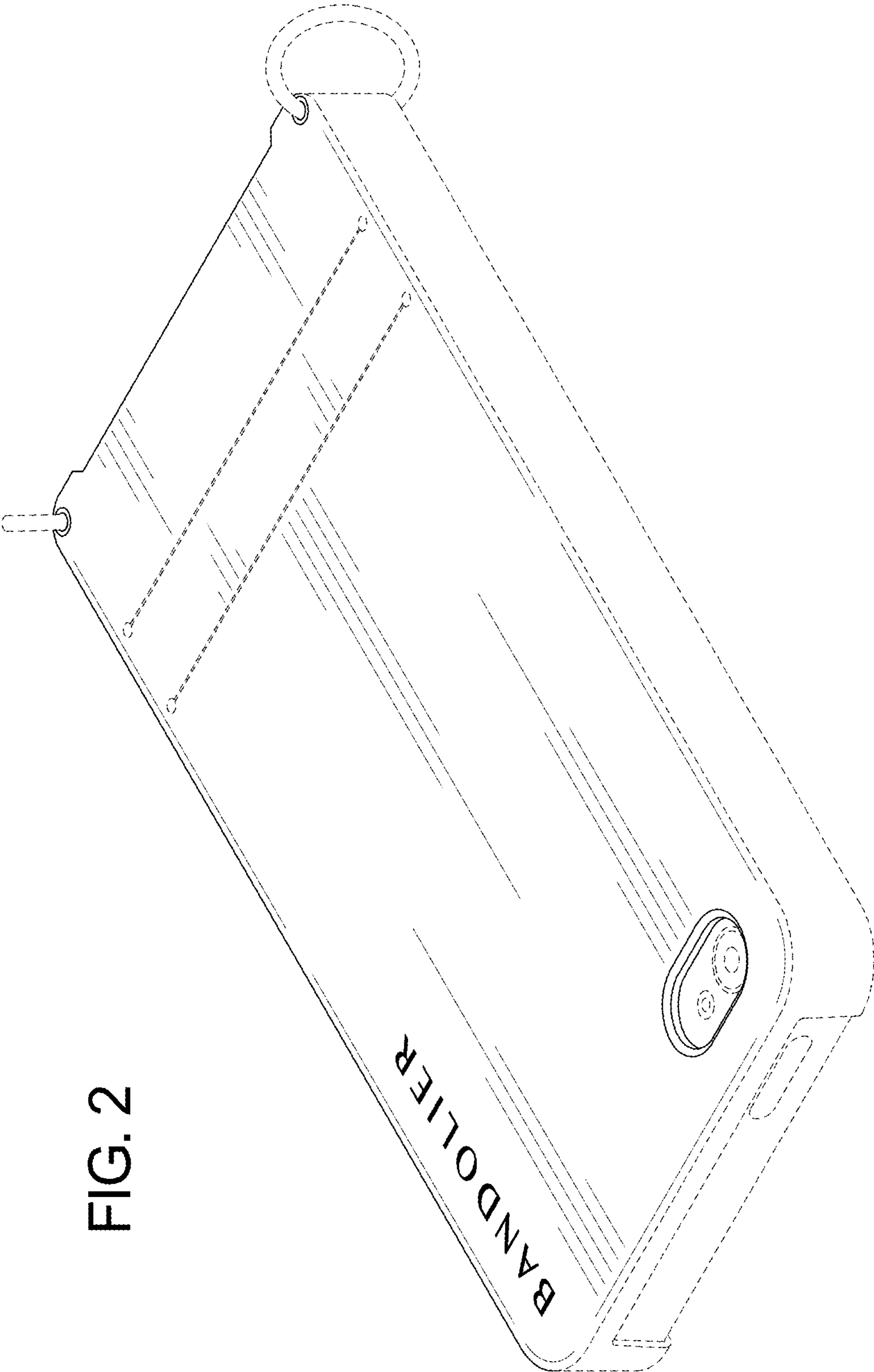


FIG. 2

FIG. 3

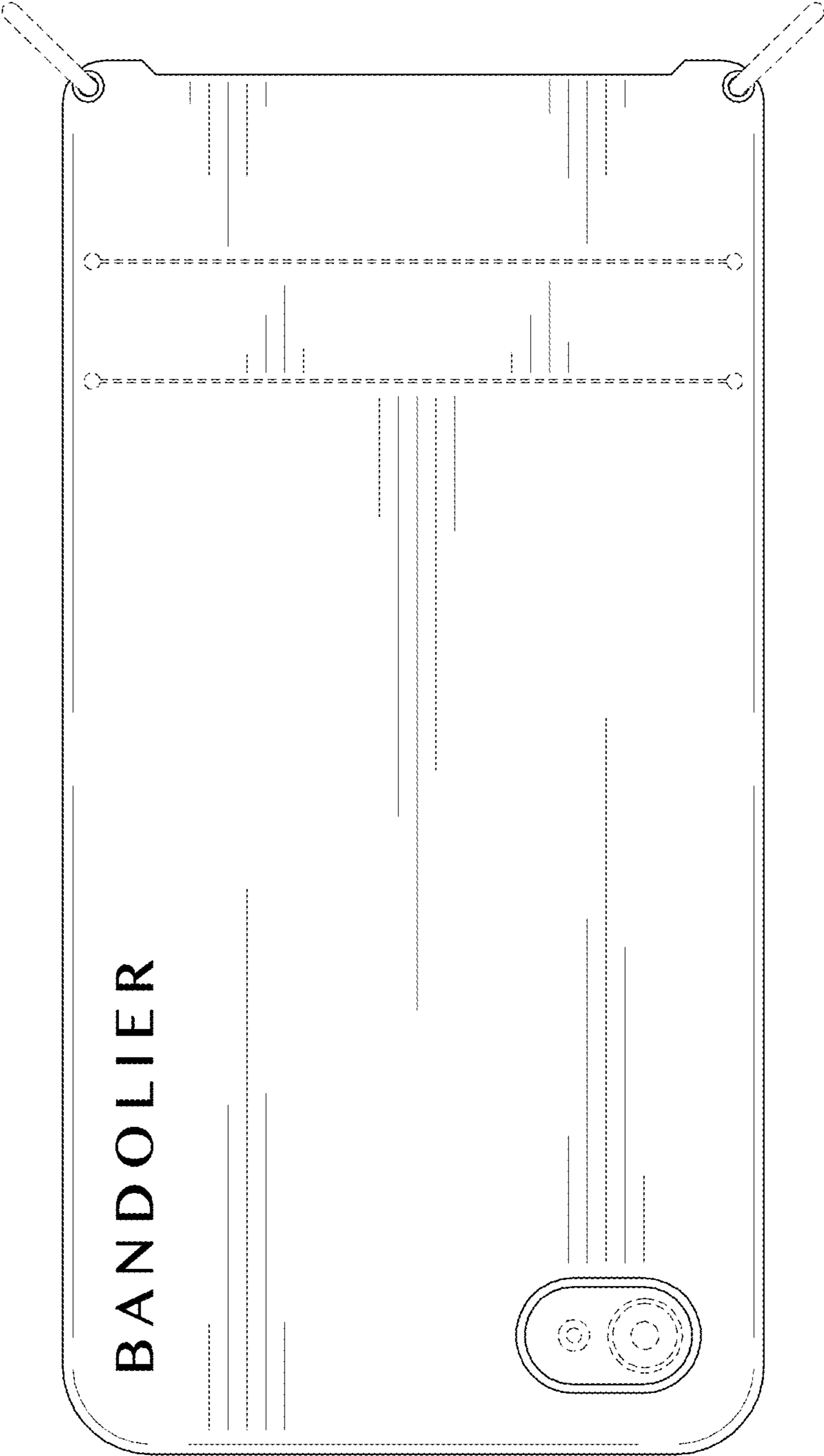


FIG. 4

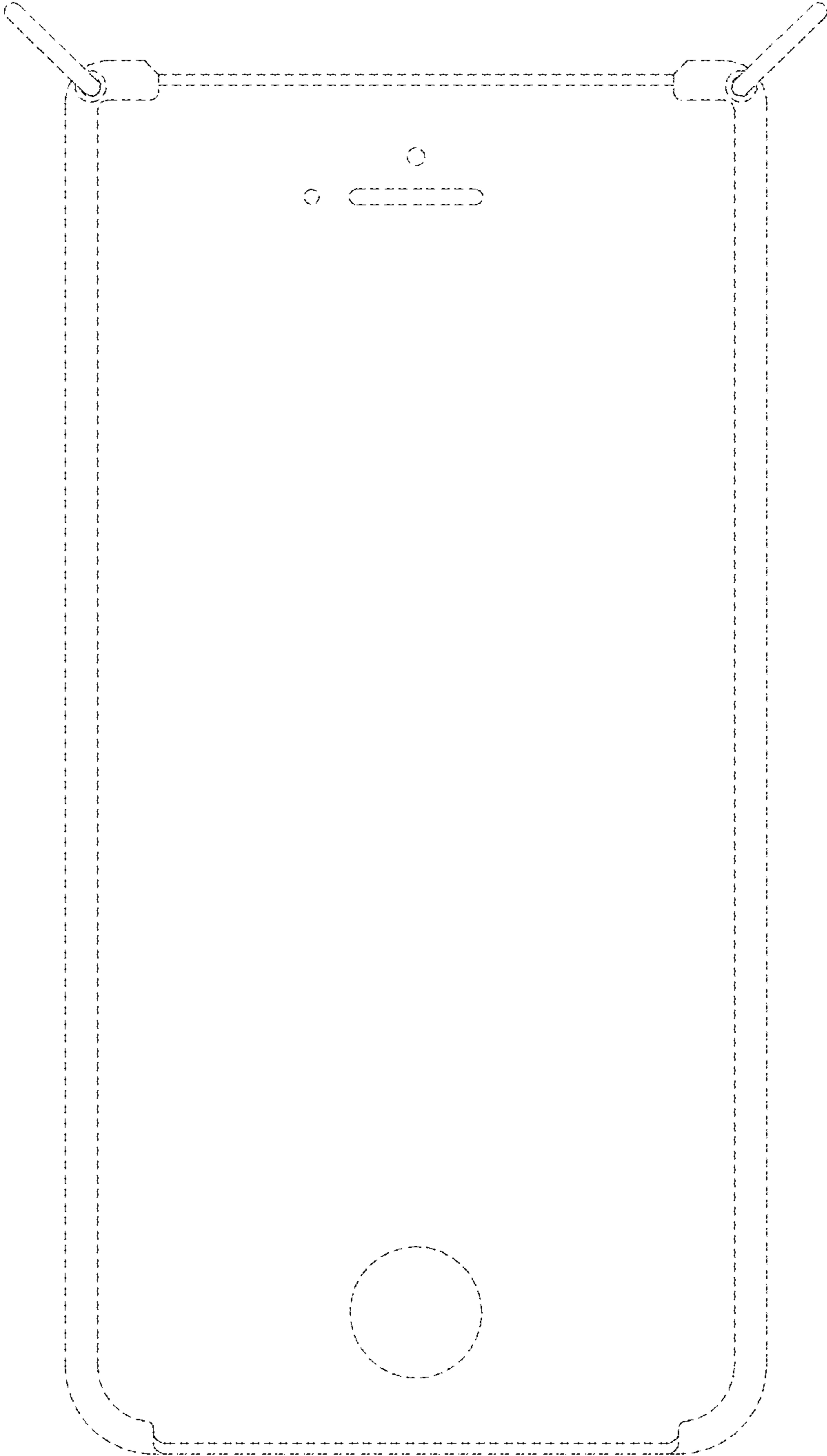


FIG. 5

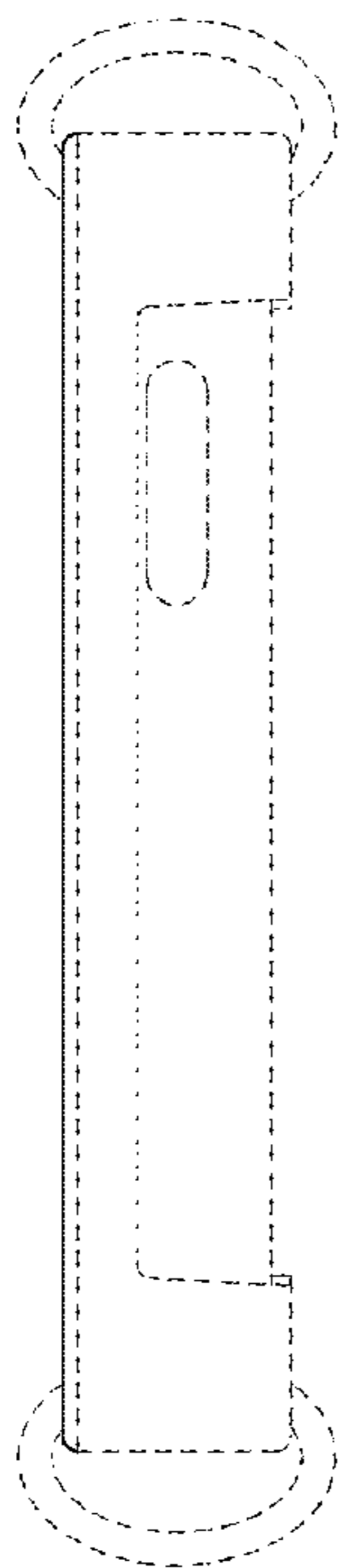


FIG. 6

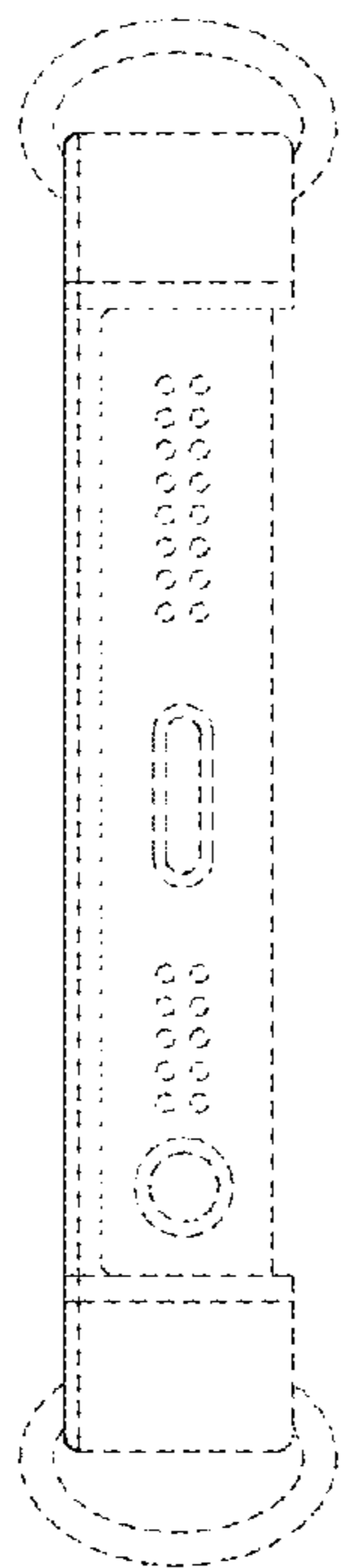


FIG. 7

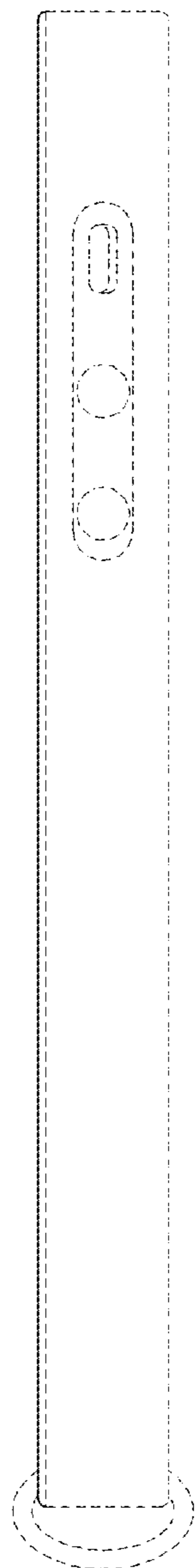


FIG. 8

