



US00D759642S

(12) **United States Design Patent**
Chao

(10) **Patent No.:** **US D759,642 S**
(45) **Date of Patent:** **** Jun. 21, 2016**

- (54) **WATERPROOF CASE**
- (71) Applicant: **GETAC TECHNOLOGY CORPORATION**, Hsinchu County (TW)
- (72) Inventor: **Po-Tsun Chao**, Taipei (TW)
- (73) Assignee: **Getac Technology Corporation**, Hsinchu County (TW)
- (**) Term: **14 Years**
- (21) Appl. No.: **29/480,391**
- (22) Filed: **Jan. 24, 2014**
- (51) **LOC (10) Cl.** **14-03**
- (52) **U.S. Cl.**
USPC **D14/250**
- (58) **Field of Classification Search**
USPC D14/250–253, 440, 203.3–203.7, 217, D14/496, 248, 238.1, 240, 447, 230, 247, D14/341, 345, 346, 439; D3/201, 218, 269, D3/301, 273, 303; D13/103, 107–108; 220/4.02; 248/309.1; 361/679.56; 379/426, 433.11, 455; 455/575.1, 455/575.8; 190/100; 206/305, 320
CPC A45C 2011/002; A45C 11/00; A45C 13/002; A45C 2011/003; H04M 1/0283; H04M 1/0202; H04M 1/185; H04B 1/3888
See application file for complete search history.

D691,124 S *	10/2013	Yang	D14/250
D697,504 S *	1/2014	Yang	D14/250
D709,061 S *	7/2014	Borra	D14/250
D710,344 S *	8/2014	Smith	D14/250
D714,770 S *	10/2014	Nolan	D14/250
D714,771 S *	10/2014	Rayner	D14/250
D722,312 S *	2/2015	Tages	D14/250
D723,531 S *	3/2015	Katzke	D14/250
D729,785 S *	5/2015	Magness	D14/250

* cited by examiner

Primary Examiner — Carla Jobe Wright
Assistant Examiner — Holly E Thurman

(57) **CLAIM**

The ornamental design for a waterproof case, as shown and described.

DESCRIPTION

FIG. 1 is a front, right and top perspective view of a waterproof case showing my new design;
 FIG. 2 is a front view thereof;
 FIG. 3 is a back view thereof;
 FIG. 4 is a left side view thereof;
 FIG. 5 is a right side view thereof;
 FIG. 6 is a top view thereof; and
 FIG. 7 is a bottom view thereof.

The top surface, shown in FIGS. 1 and 6, and the bottom surface, shown in FIG. 7, of the waterproof case are transparent.

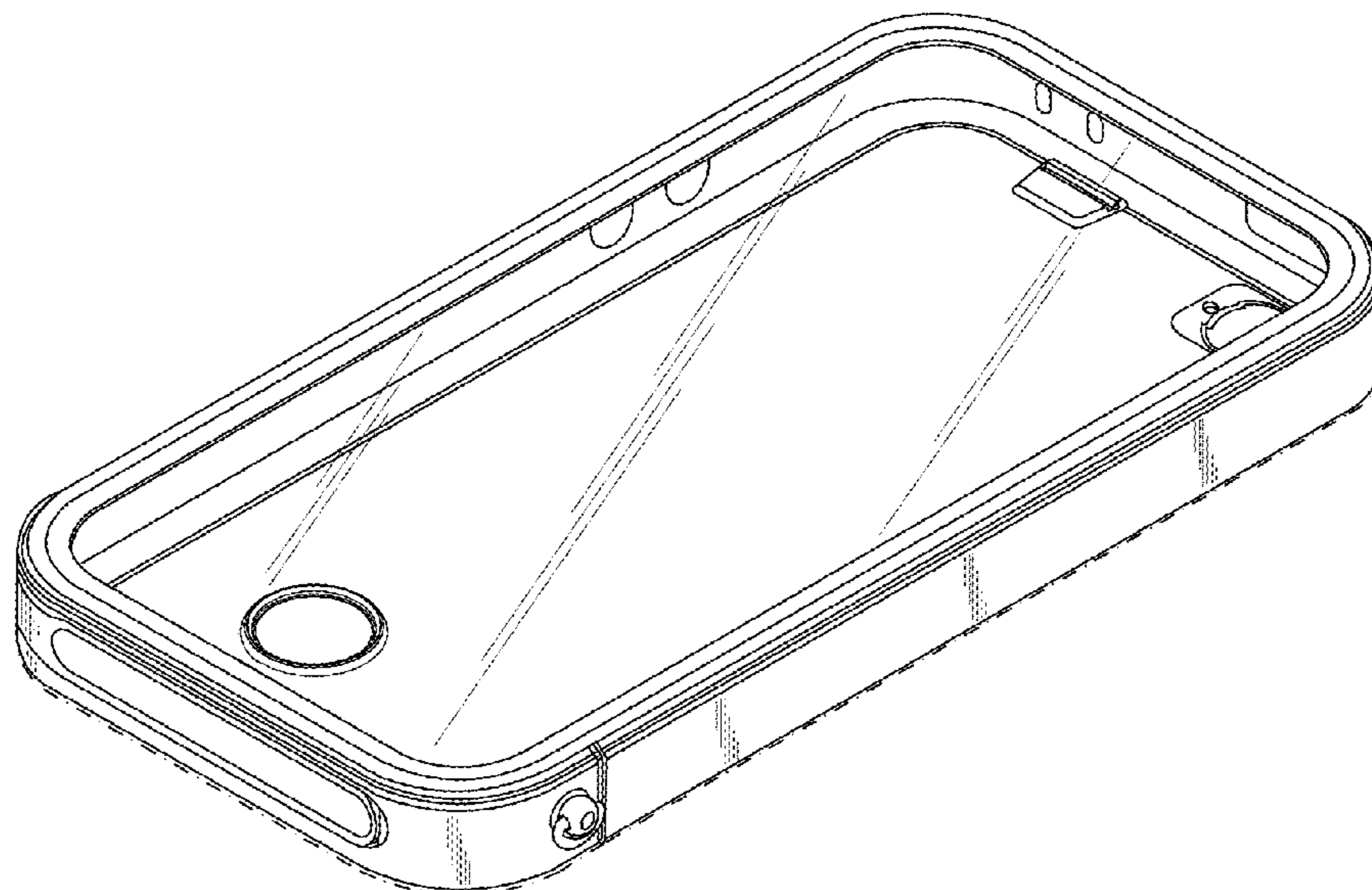
The dot-dash broken lines represent boundaries of the claim wherein surfaces between the two boundaries form no part of the claimed design. The dash-dash broken lines depict unclaimed environment. The broken lines form no part of the claimed design.

1 Claim, 7 Drawing Sheets

(56) **References Cited**

U.S. PATENT DOCUMENTS

- D574,819 S * 8/2008 Andre D3/269
- D683,322 S * 5/2013 Derby D14/138 G



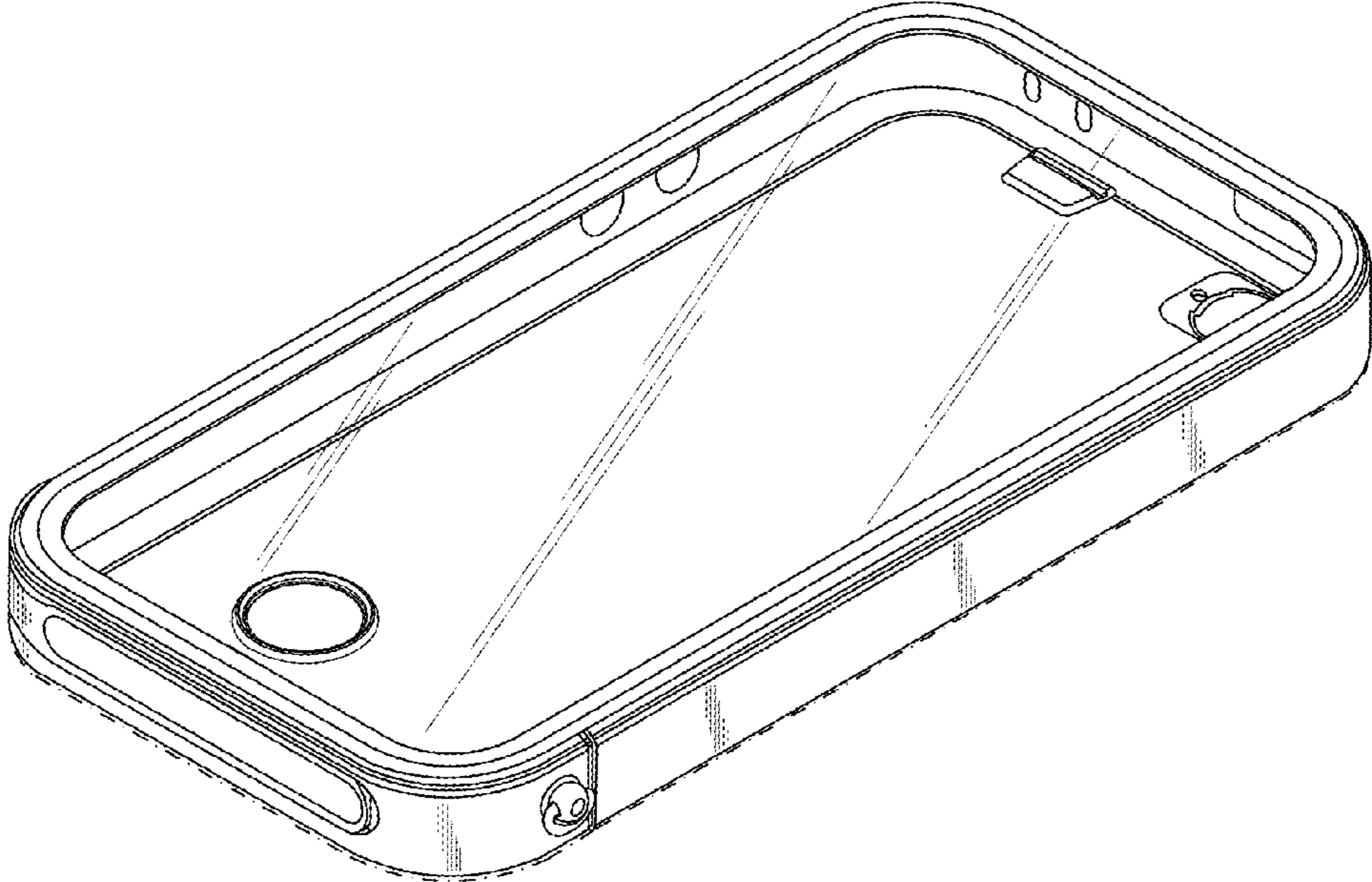


FIG. 1

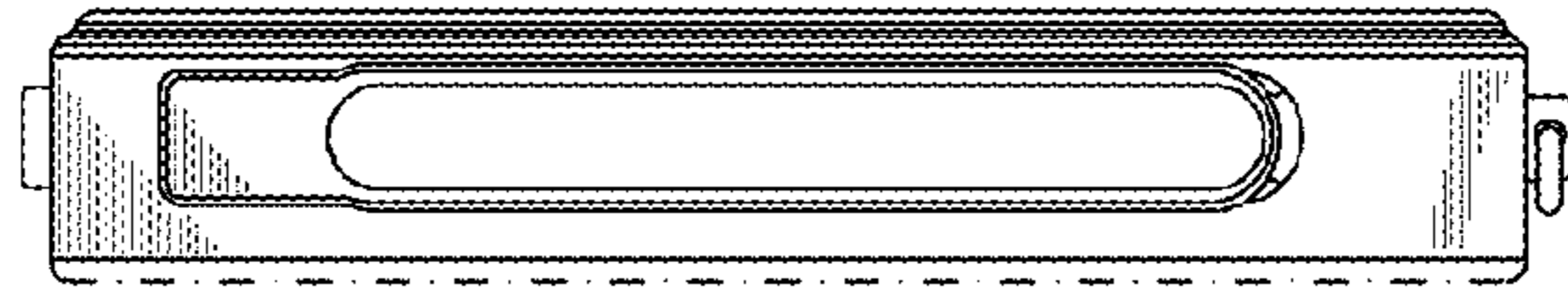


FIG. 2

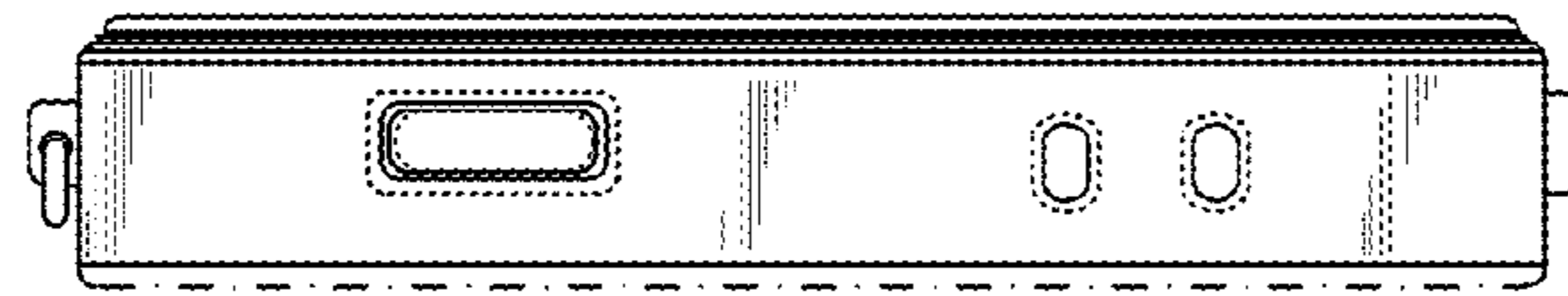


FIG. 3

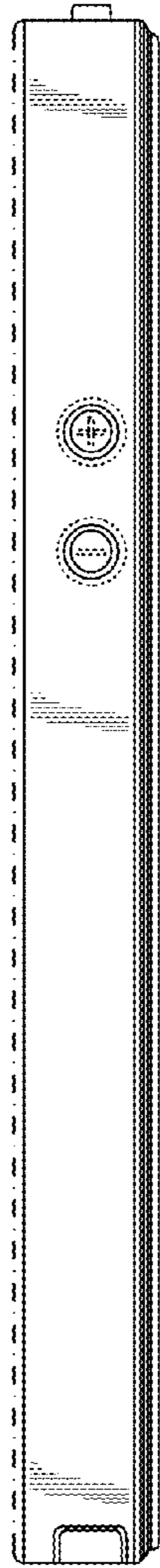


FIG. 4

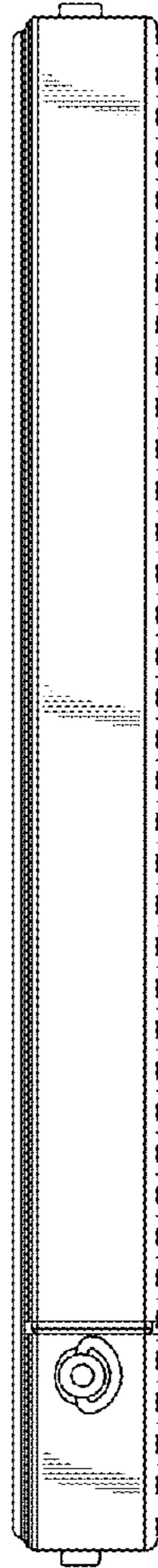


FIG. 5

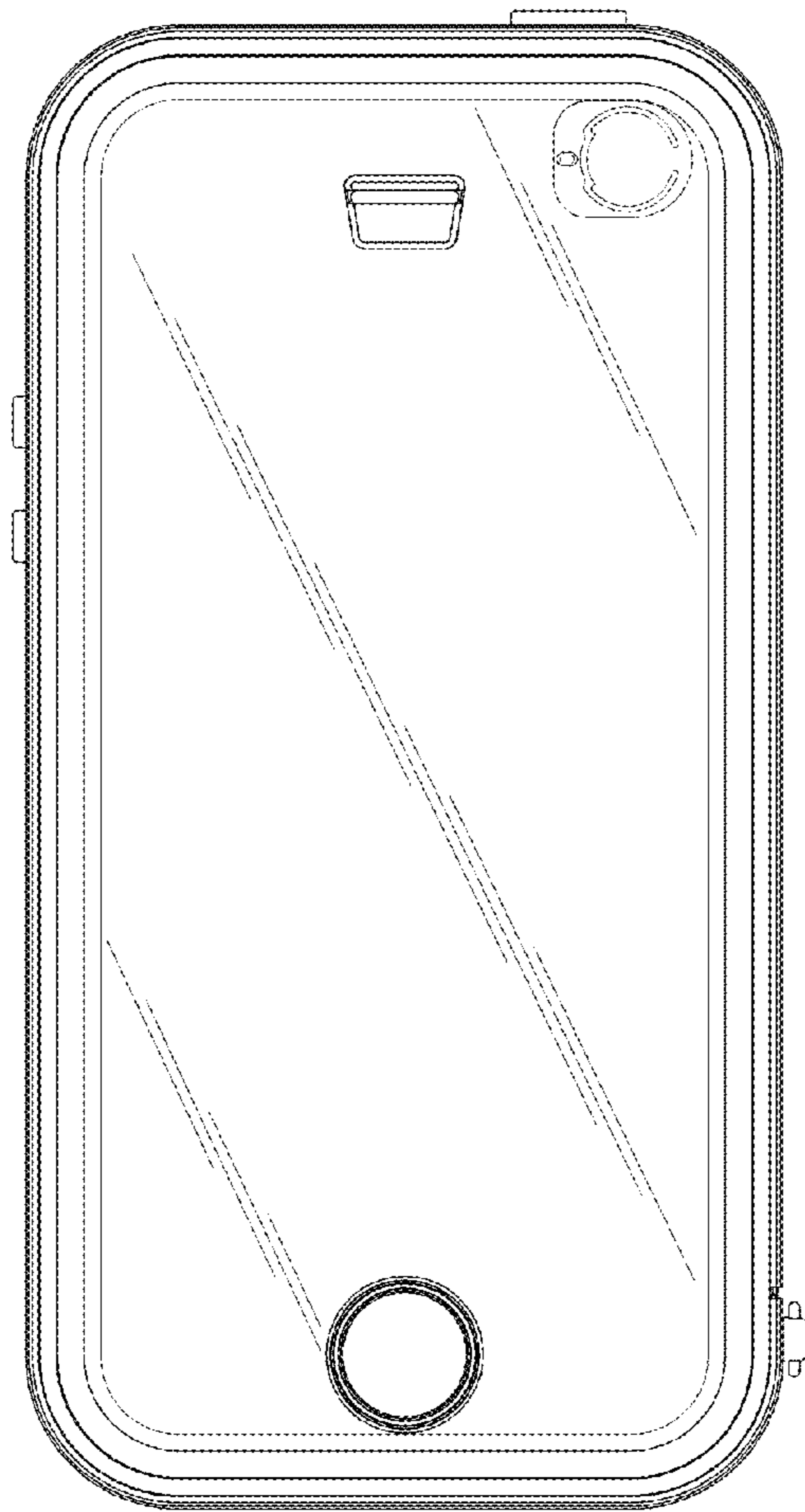


FIG. 6

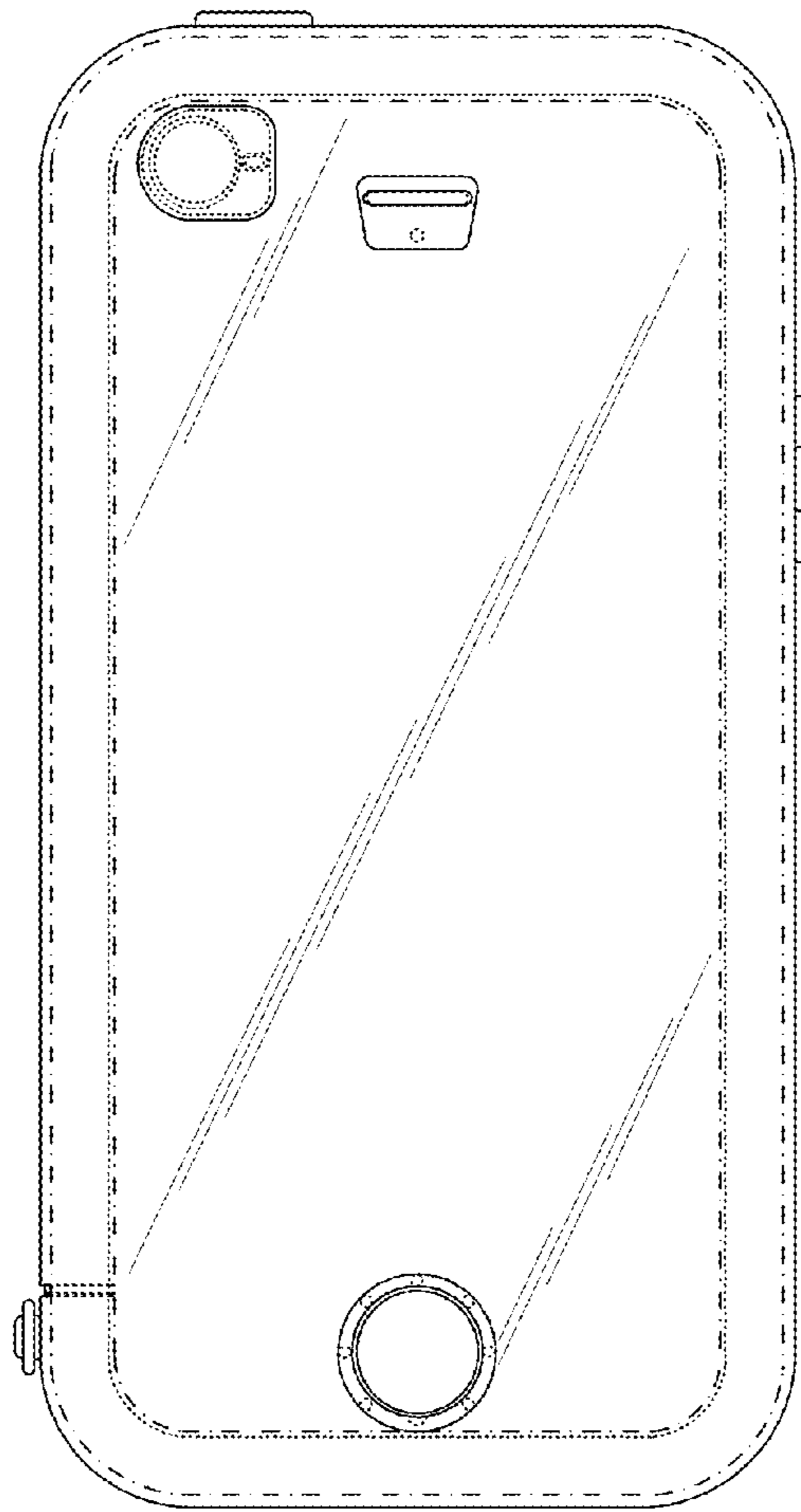


FIG. 7