



US00D759641S

(12) **United States Design Patent**
Lai et al.

(10) **Patent No.:** **US D759,641 S**
(45) **Date of Patent:** **** Jun. 21, 2016**

(54) **PHONE CASE**

(71) Applicant: **CATALYST LIFESTYLE LIMITED,**
North Point (CN)

(72) Inventors: **June Lai, Hong Kong (CN); Joshua Wright, Hong Kong (CN)**

(73) Assignee: **CATALYST LIFESTYLE LIMITED,**
North Point, Hong Kong (CN)

(**) Term: **14 Years**

(21) Appl. No.: **29/478,585**

(22) Filed: **Jan. 7, 2014**

(51) **LOC (10) Cl.** **14-03**

(52) **U.S. Cl.**

USPC **D14/250**

(58) **Field of Classification Search**

USPC D14/203.3–203.7, 217, 230, 238.1, 240,
D14/247, 248, 250–253, 341, 345, 346, 439,
D14/440, 447, 496; D3/201, 218, 247, 249,
D3/269, 301, 273, 303; D13/103,
D13/107–108, 119; D11/178.1; D19/10;
220/4.02; 248/309.1; 361/679.56;
379/426, 433.11, 455; 455/575.1,
455/575.4, 575.8; 190/100; 206/305, 320
CPC .. H04B 1/3888; H04M 1/185; H04M 1/0283;
H04M 1/0202; A45C 2011/002; A45C 11/00;
A45C 13/002; A45C 2011/003
See application file for complete search history.

(56) **References Cited**

U.S. PATENT DOCUMENTS

6,068,119 A 5/2000 Derr et al.
6,349,824 B1 2/2002 Yamada

6,646,864 B2 11/2003 Richardson
6,995,976 B2 2/2006 Richardson
7,180,735 B2 2/2007 Thomas et al.
7,230,823 B2 6/2007 Richardson et al.
7,312,984 B2 12/2007 Richardson et al.

(Continued)

FOREIGN PATENT DOCUMENTS

CN 201042019 Y 3/2008
CN 201639626 U 11/2010

(Continued)

OTHER PUBLICATIONS

International Search Report, International Application No. PCT/
IB2012/002187.

Primary Examiner — Sandra Snapp

Assistant Examiner — Holly E Thurman

(74) *Attorney, Agent, or Firm* — Dinsmore & Shohl LLP;
Mark D. Schneider

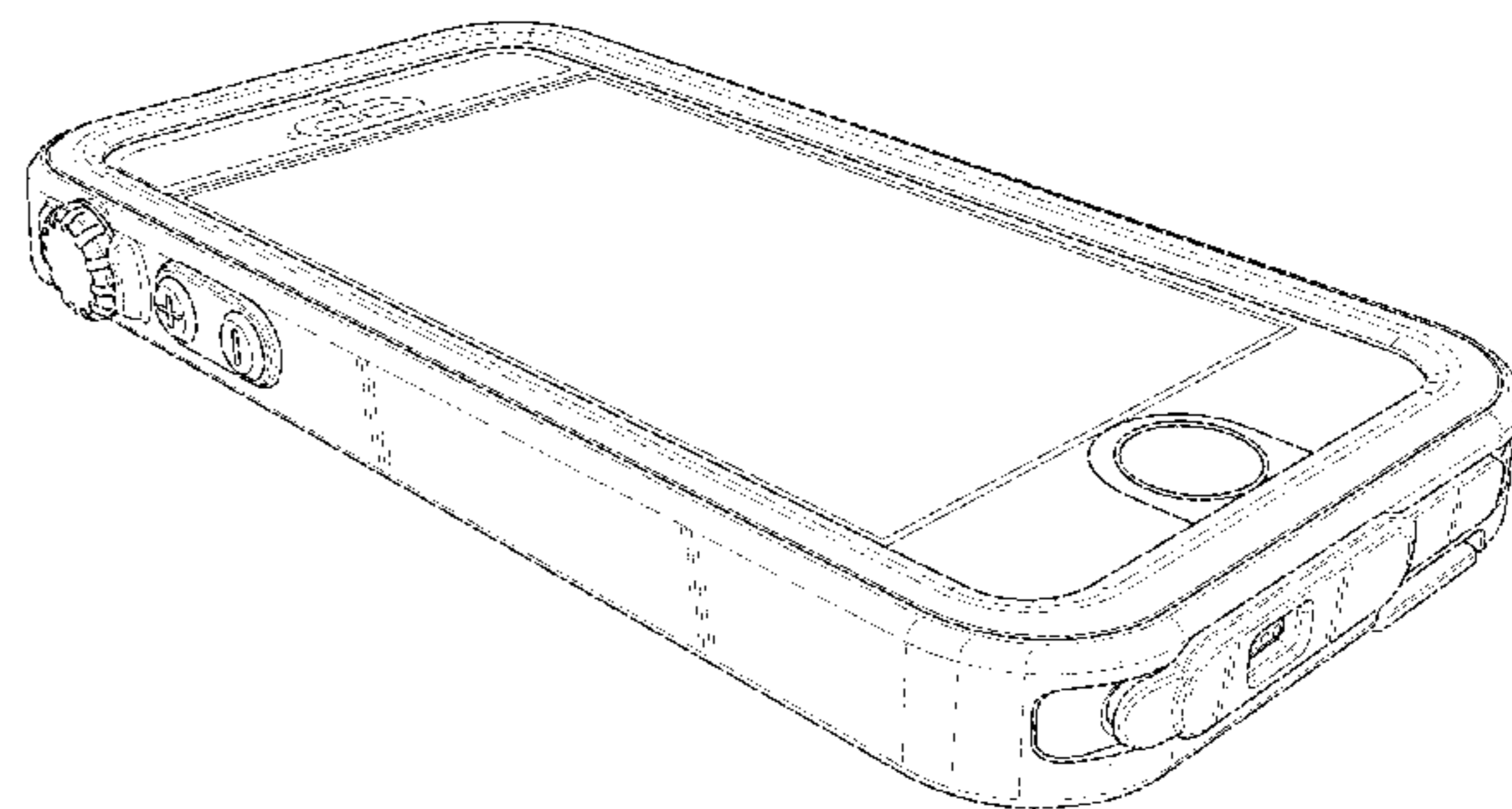
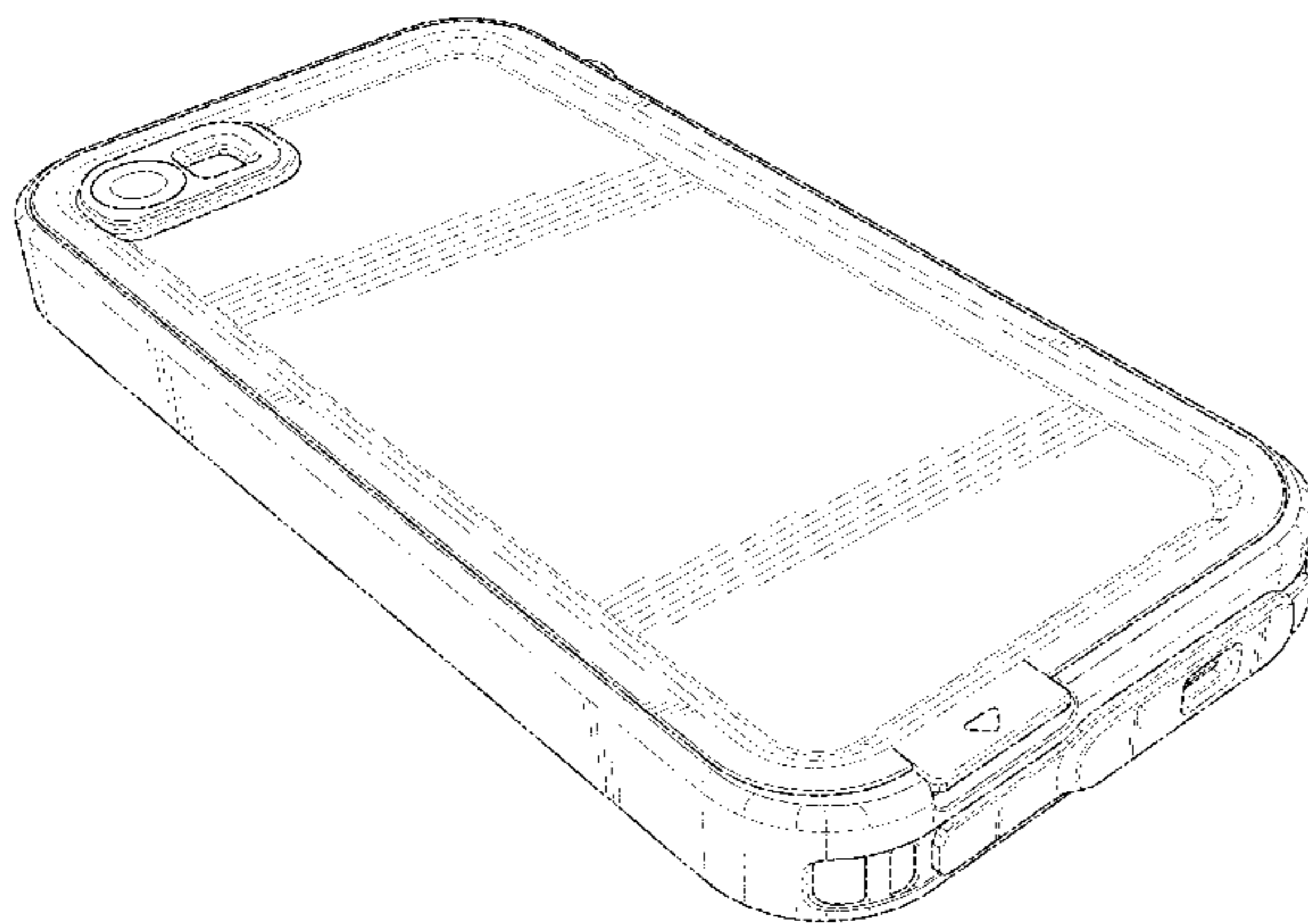
(57) **CLAIM**

The ornamental design for a phone case, as shown and
described.

DESCRIPTION

FIG. 1 is a rear perspective view of the phone case;
FIG. 2 is another rear perspective view of the phone case;
FIG. 3 is a front perspective view of the phone case;
FIG. 4 is another front perspective view of the phone case;
FIG. 5 is a top plan view of the phone case;
FIG. 6 is a rear view of the phone case;
FIG. 7 is a side view of the phone case;
FIG. 8 is a bottom plan view of the phone case;
FIG. 9 is a front view of the of the phone case; and,
FIG. 10 is an opposite side view of the phone case.

1 Claim, 8 Drawing Sheets



(56)

References Cited

U.S. PATENT DOCUMENTS

7,449,650 B2 11/2008 Richardson et al.
 7,609,512 B2 10/2009 Richardson et al.
 7,663,879 B2 2/2010 Richardson et al.
 7,688,580 B2 3/2010 Richardson et al.
 D627,778 S * 11/2010 Akana et al. D14/341
 7,889,489 B2 2/2011 Richardson et al.
 7,907,394 B2 3/2011 Richardson et al.
 7,933,122 B2 4/2011 Richardson et al.
 D670,280 S 11/2012 Rayner
 D694,227 S * 11/2013 Rayner D14/250
 D696,234 S * 12/2013 Wright D14/250
 D697,504 S * 1/2014 Yang D14/250
 D703,652 S * 4/2014 Melanson et al. D14/250
 D704,182 S * 5/2014 Smith D14/250
 D706,253 S * 6/2014 Simmer D14/250
 D709,060 S * 7/2014 Melanson et al. D14/250
 D714,769 S * 10/2014 Rayner D14/250
 D714,771 S * 10/2014 Rayner D14/250
 D724,066 S * 3/2015 Fathollahi D14/250
 2005/0067216 A1 3/2005 Schuhmann et al.
 2006/0279924 A1 12/2006 Richardson et al.
 2007/0139873 A1 6/2007 Thomas et al.
 2007/0297149 A1 12/2007 Richardson et al.
 2010/0008028 A1 1/2010 Richardson et al.

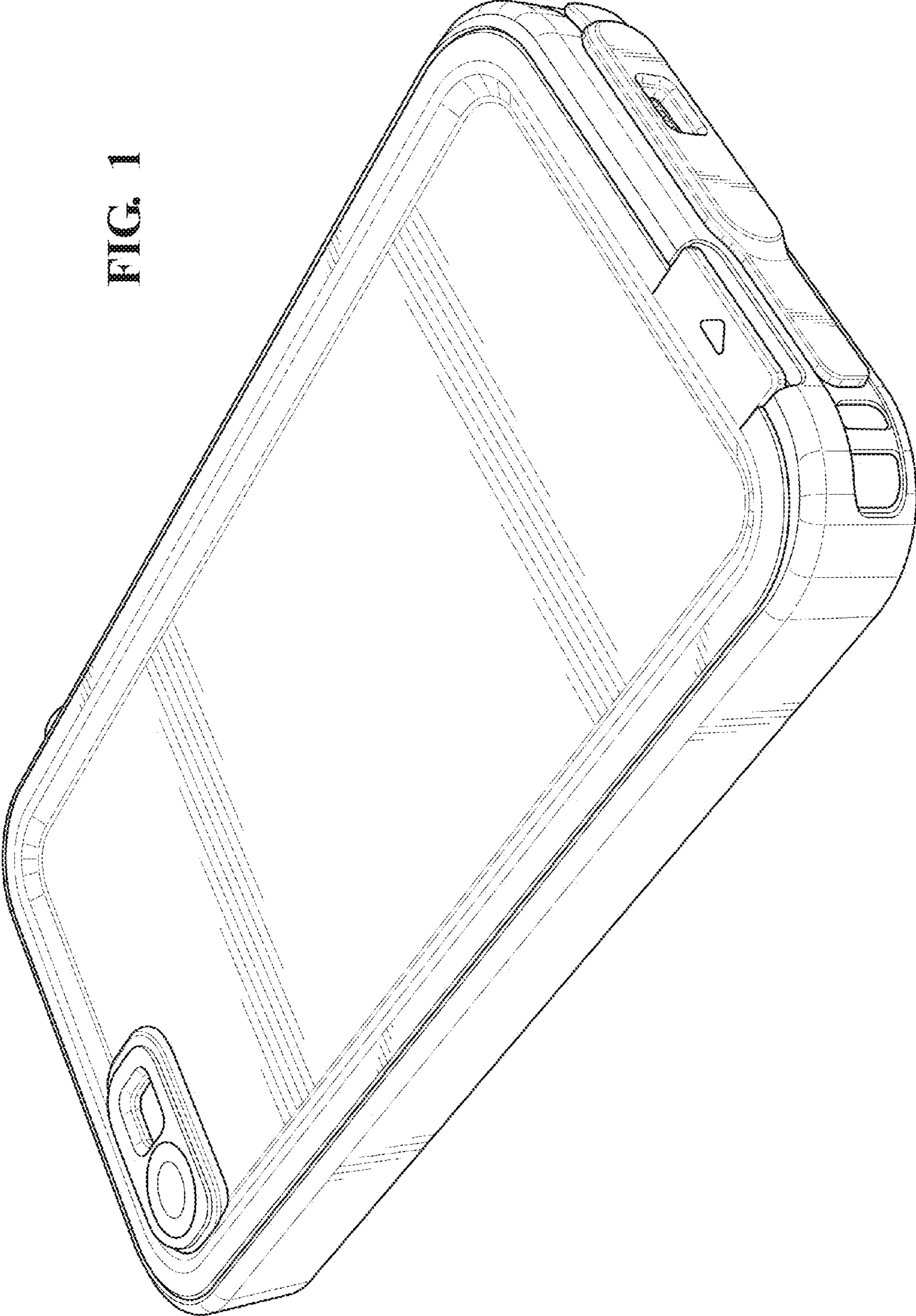
2010/0104814 A1 4/2010 Richardson et al.
 2010/0147737 A1 6/2010 Richardson et al.
 2010/0200456 A1 8/2010 Parkinson
 2011/0073608 A1 3/2011 Richardson et al.
 2011/0226545 A1 9/2011 Richardson et al.
 2011/0228458 A1 9/2011 Richardson et al.
 2011/0228459 A1 9/2011 Richardson et al.
 2012/0018323 A1 1/2012 Johnson et al.
 2012/0074005 A1 3/2012 Johnson et al.
 2012/0118773 A1 5/2012 Rayner
 2012/0211382 A1 8/2012 Rayner
 2012/0261306 A1 10/2012 Richardson et al.
 2012/0329535 A1* 12/2012 Kuo 455/575.8
 2013/0175186 A1* 7/2013 Simmer 206/37

FOREIGN PATENT DOCUMENTS

JP 8046371 A 2/1996
 JP 9023072 1/1997
 JP 3044740 U 1/1998
 JP 10079582 A 3/1998
 JP 11231970 A 8/1999
 JP 11231973 A 8/1999
 JP 11284358 A 10/1999
 JP 2000125916 A 5/2000
 JP 2003324796 A 11/2003

* cited by examiner

FIG. 1



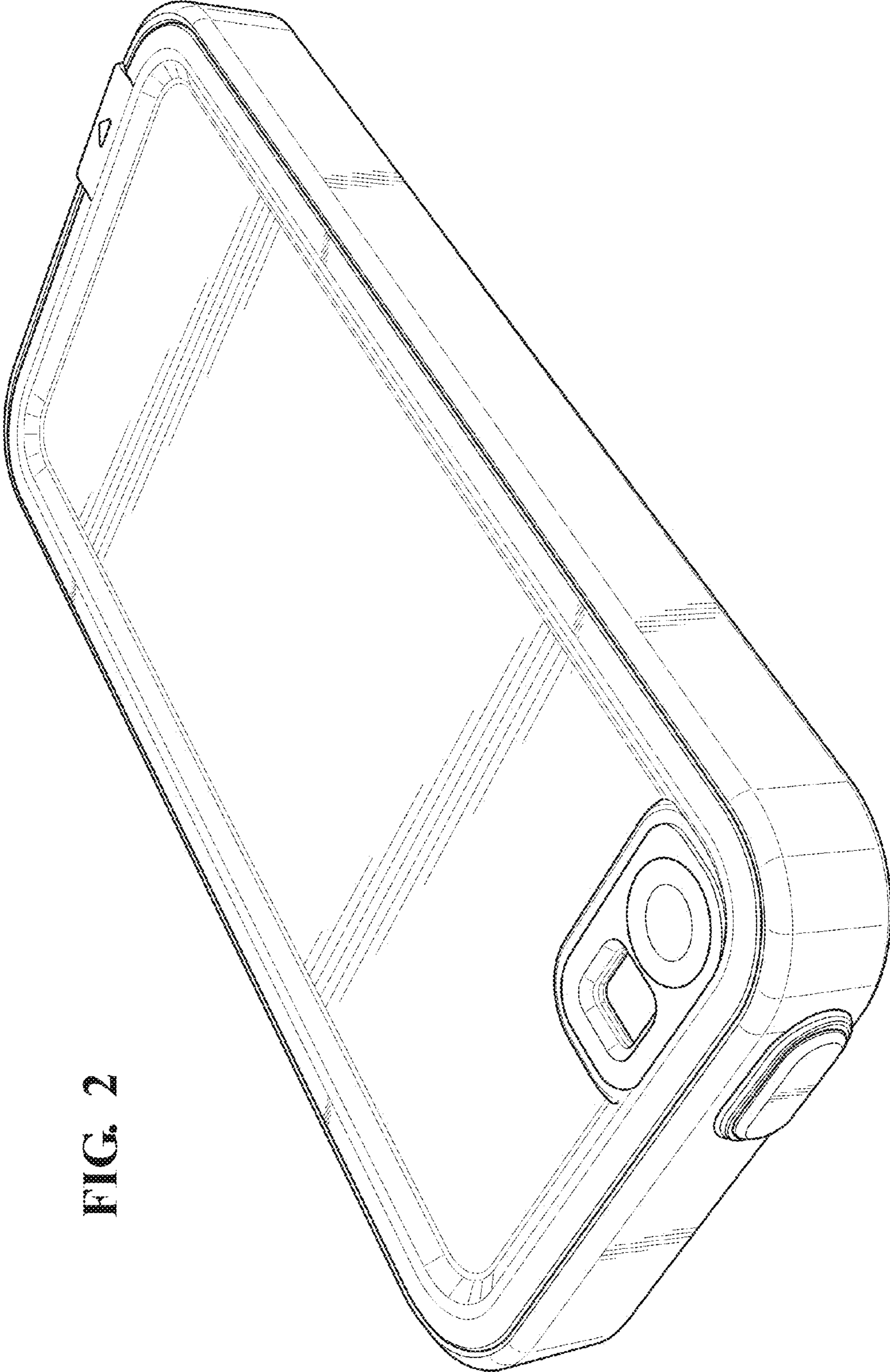
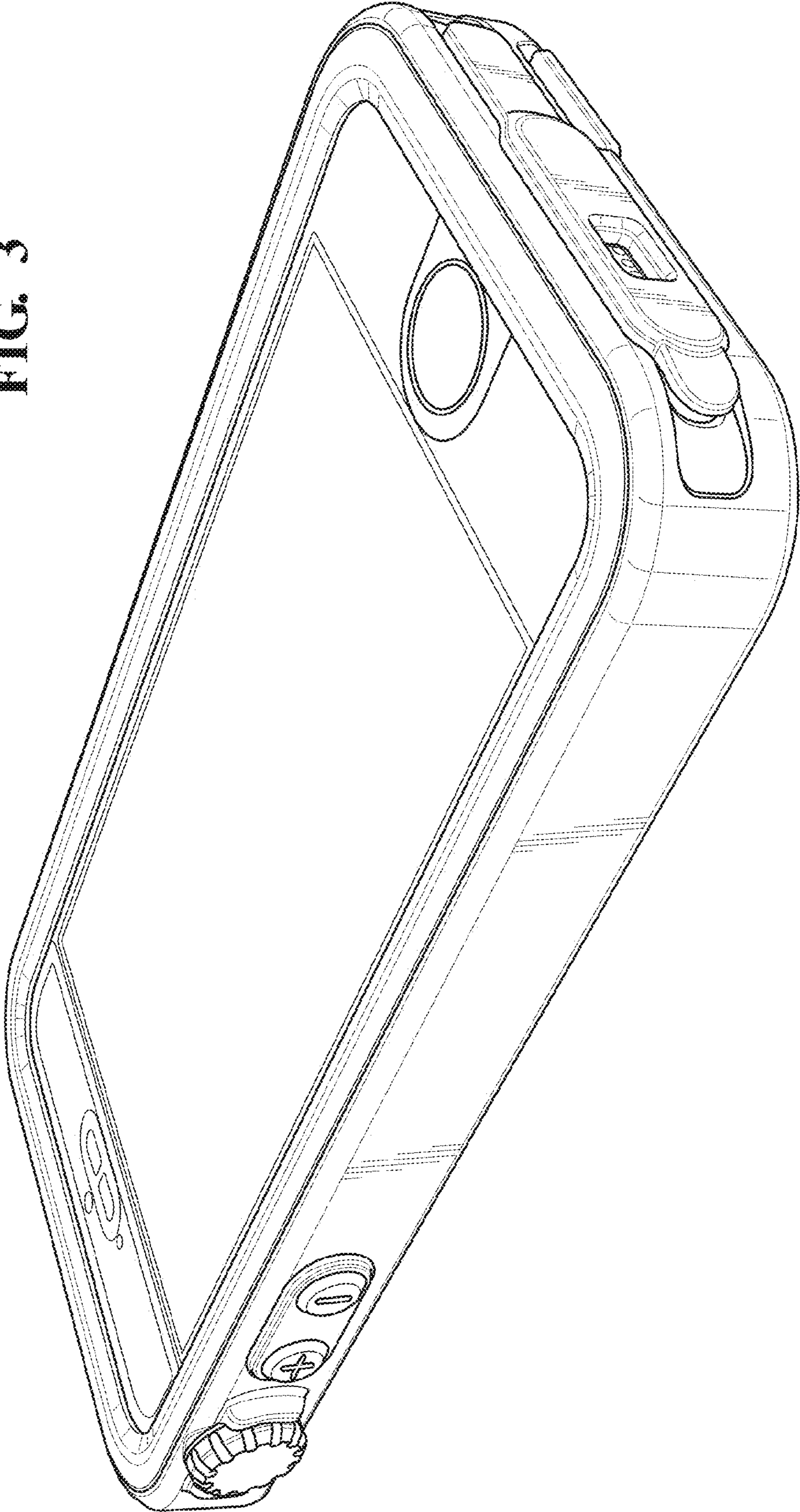


FIG. 2

FIG. 3



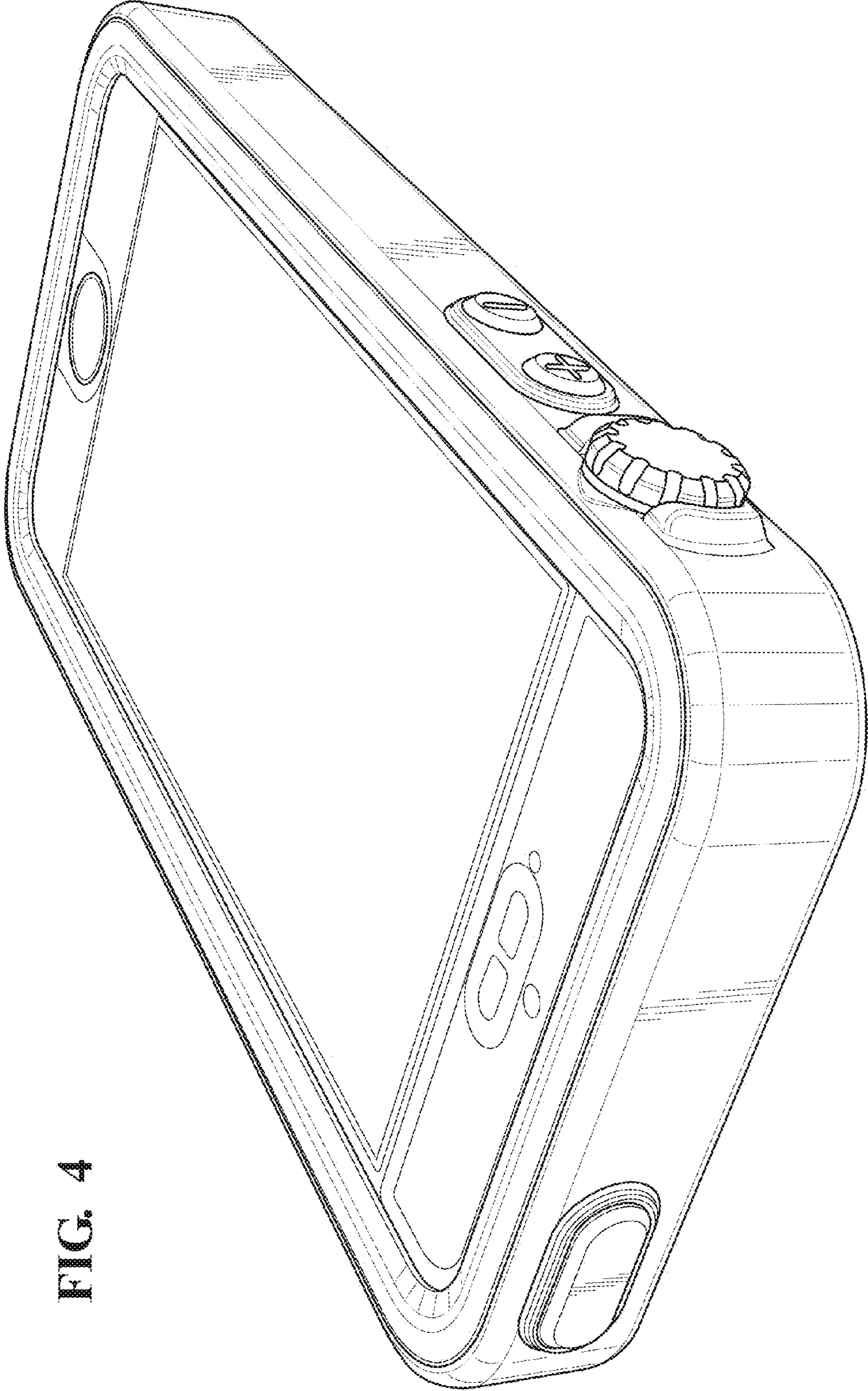


FIG. 4

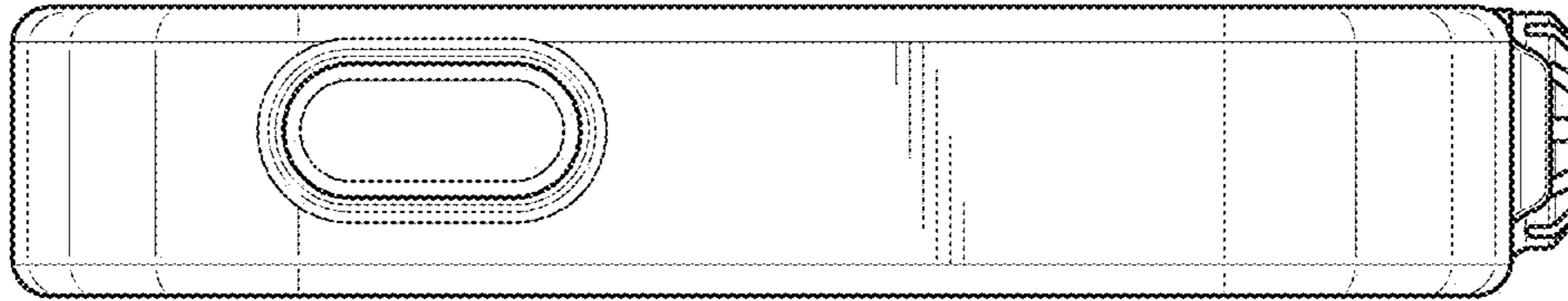


FIG. 5

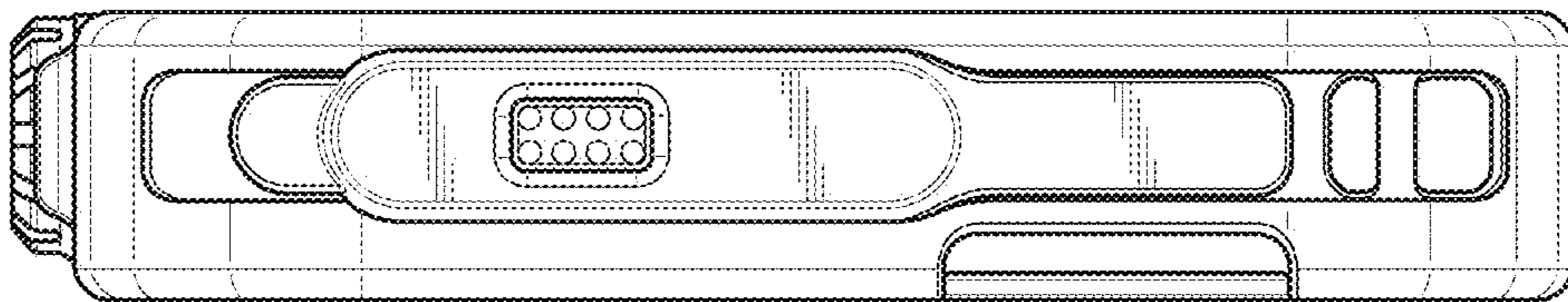


FIG. 8

FIG. 6

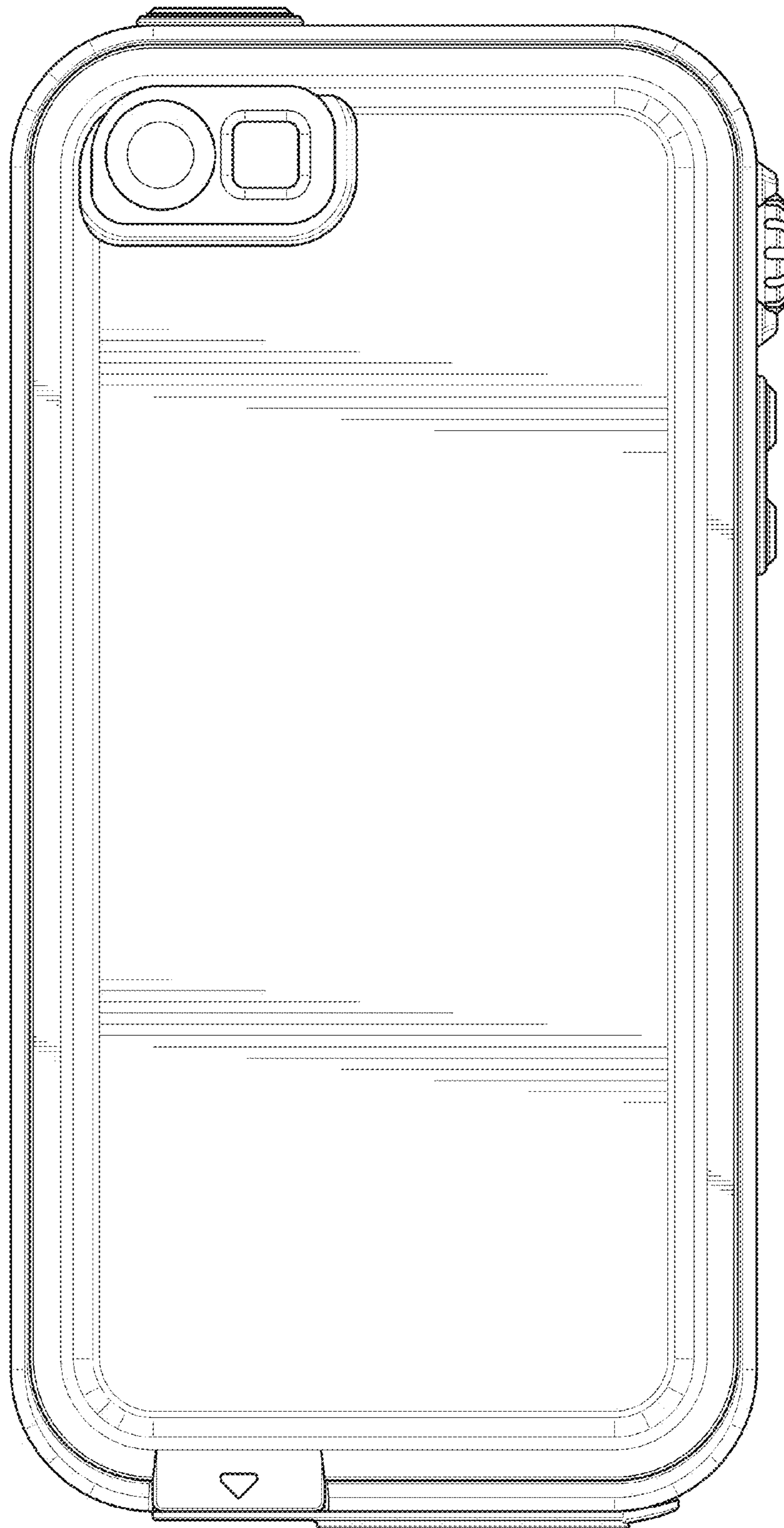


FIG. 7

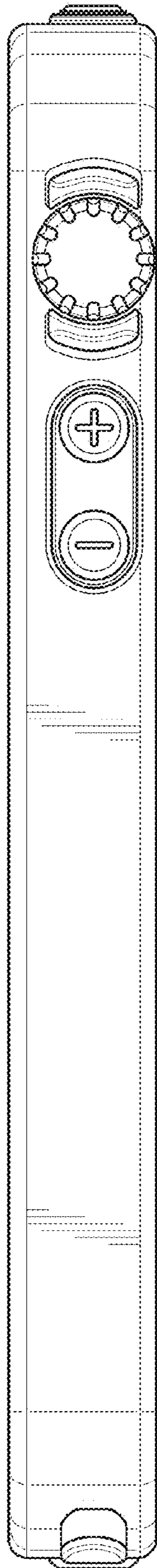


FIG. 10

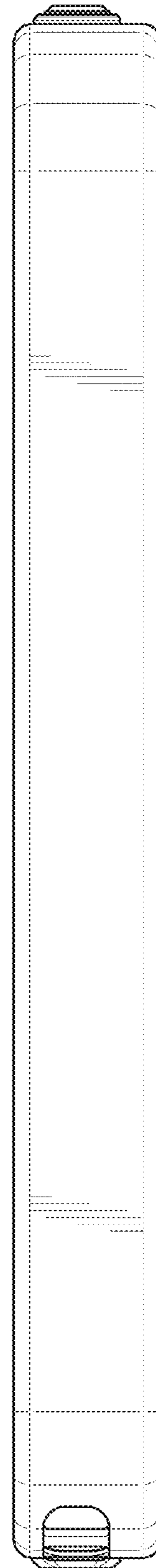


FIG. 9

