



US00D759640S

(12) **United States Design Patent**  
**Wadsworth**

(10) **Patent No.:** **US D759,640 S**  
(45) **Date of Patent:** **\*\* Jun. 21, 2016**

(54) **OVERLAY**

(71) Applicant: **Belkin International, Inc.**, Playa Vista, CA (US)

(72) Inventor: **John F. Wadsworth**, Burbank, AZ (US)

(73) Assignee: **Belkin International, Inc.**, Playa Vista, CA (US)

(\*\*) Term: **14 Years**

(21) Appl. No.: **29/477,419**

(22) Filed: **Dec. 20, 2013**

(51) **LOC (10) Cl.** ..... **14-03**

(52) **U.S. Cl.**  
USPC ..... **D14/250**

(58) **Field of Classification Search**  
USPC ..... D14/250–253, 440, 203.3–203.7, 217, D14/496, 248, 238.1, 240, 447, 230, 247, D14/341, 345, 346, 439; D3/201, 218, 269, D3/301, 273, 303; D13/103, 107–108; 220/4.02; 248/309.1; 361/679.56; 379/426, 433.11, 455; 455/575.1, 455/575.8; 190/100; 206/305, 320  
CPC ..... A45C 2011/002; A45C 11/00; A45C 13/002; A45C 2011/003; H04M 1/0283; H04M 1/0202; H04M 1/185; H04B 1/3888  
See application file for complete search history.

(56) **References Cited**

**U.S. PATENT DOCUMENTS**

D305,648 S 1/1990 Edington  
5,069,732 A 12/1991 Levine

(Continued)

**FOREIGN PATENT DOCUMENTS**

CN 201456516 5/2010  
CN 102632674 8/2012

(Continued)

**OTHER PUBLICATIONS**

Amzer—Kristal Screen Protectors—<http://www.amzer.com/kristal/>.

(Continued)

*Primary Examiner* — Sandra Snapp

*Assistant Examiner* — Holly E Thurman

(74) *Attorney, Agent, or Firm* — Bryan Cave LLP

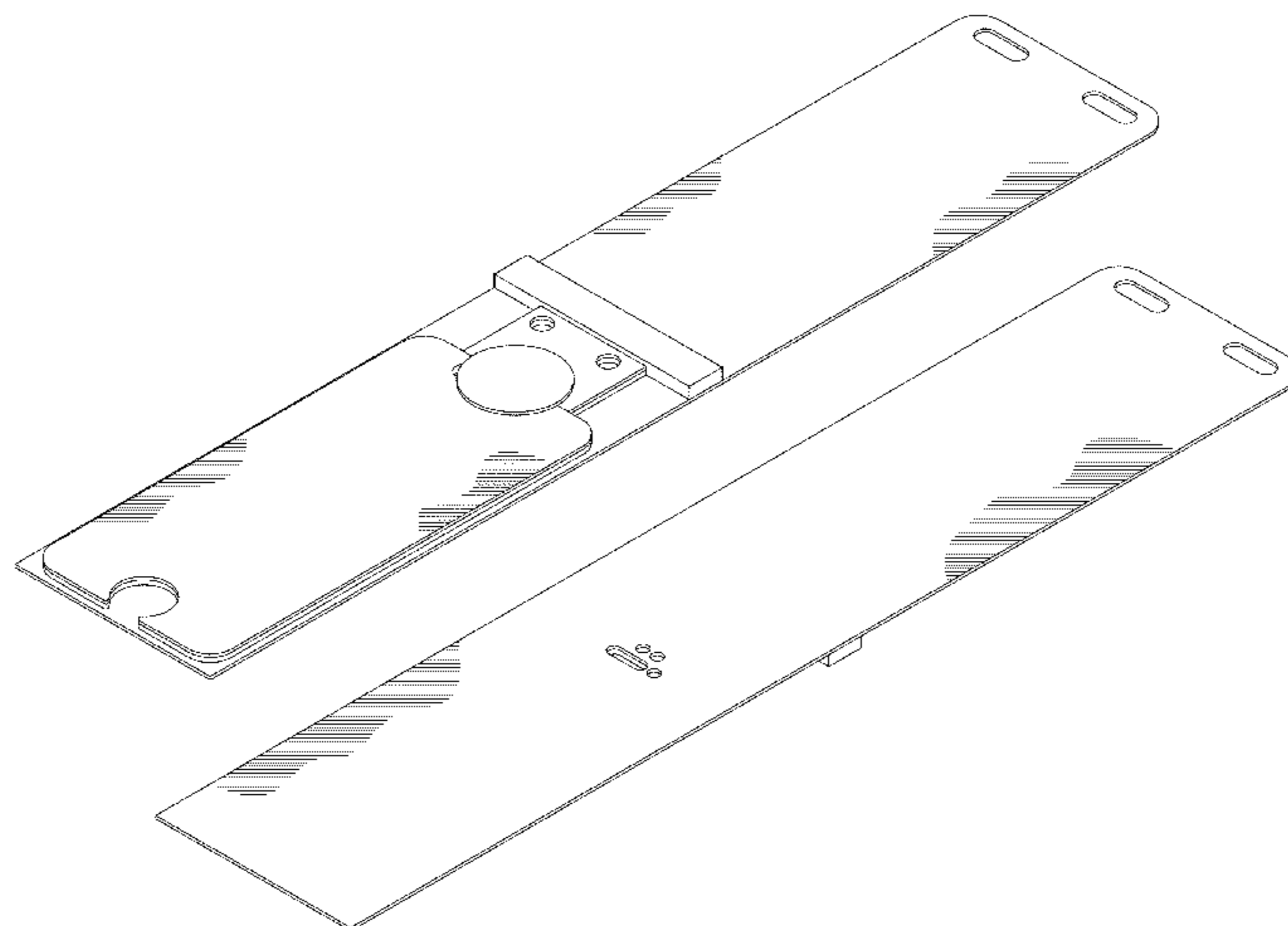
(57) **CLAIM**

I claim the ornamental design for the overlay, substantially as shown and described.

**DESCRIPTION**

FIG. 1 is a top perspective view of an overlay, according to a first embodiment;  
FIG. 2 is a bottom perspective view of the overlay, according to the first embodiment;  
FIG. 3 is a top plan view of the overlay, according to the first embodiment;  
FIG. 4 is a side elevational view of the overlay, according to the first embodiment, where the opposite side elevational view is a mirror image thereof;  
FIG. 5 is a bottom plan view of the overlay, according to the first embodiment;  
FIG. 6 is a top plan view of the overlay in a folded configuration, according to the first embodiment;  
FIG. 7 is a top perspective view of an overlay, according to a second embodiment;  
FIG. 8 is a bottom perspective view of the overlay, according to the second embodiment;  
FIG. 9 is a top plan view of the overlay, according to the second embodiment;  
FIG. 10 is a side elevational view of the overlay, according to the second embodiment, where the opposite side elevational view is a mirror image thereof;  
FIG. 11 is a bottom plan view of the overlay, according to the second embodiment; and,  
FIG. 12 is a top plan view of the overlay in a folded configuration, according to the second embodiment.

**1 Claim, 6 Drawing Sheets**



(56)

References Cited

U.S. PATENT DOCUMENTS

5,680,709 A 10/1997 Stone  
 6,406,758 B1 6/2002 Bottari et al.  
 D598,024 S 8/2009 Scott et al.  
 D601,959 S \* 10/2009 Lee ..... D13/119  
 D601,960 S \* 10/2009 Dai ..... D13/119  
 7,957,524 B2 6/2011 Chipping  
 7,966,861 B2 6/2011 Yee et al.  
 8,047,365 B1 \* 11/2011 Lin ..... A45C 13/02  
 206/320  
 D651,214 S 12/2011 Yoo et al.  
 D665,809 S 8/2012 Wang et al.  
 8,369,072 B1 2/2013 Alonzo et al.  
 8,393,377 B2 3/2013 Patel et al.  
 8,517,367 B1 8/2013 Napier  
 D690,704 S 10/2013 Padilla et al.  
 D707,217 S \* 6/2014 Toulotte ..... D14/250  
 D710,843 S \* 8/2014 Akana ..... D14/341  
 D714,053 S \* 9/2014 Yoo ..... D3/269  
 D715,301 S 10/2014 Ashcraft et al.  
 D720,353 S 12/2014 Nakamura  
 D721,359 S \* 1/2015 Kim ..... D14/250  
 D729,235 S 5/2015 Nagao et al.  
 9,159,260 B2 \* 10/2015 Oh ..... G09G 3/20  
 2004/0109096 A1 6/2004 Anderson et al.  
 2004/0246386 A1 12/2004 Thomas et al.  
 2007/0115621 A1 5/2007 Guillen  
 2007/0229962 A1 10/2007 Mason, Jr.  
 2007/0247793 A1 10/2007 Carnevali  
 2007/0293282 A1 12/2007 Lewis et al.  
 2009/0186181 A1 7/2009 Mase  
 2009/0314400 A1 \* 12/2009 Liu ..... A45C 11/00  
 150/165  
 2010/0309152 A1 12/2010 Kusuda et al.  
 2011/0206887 A1 8/2011 Kim  
 2011/0267793 A1 11/2011 Cohen  
 2011/0279383 A1 11/2011 Wilson et al.  
 2011/0309608 A1 12/2011 Flynn et al.  
 2012/0043015 A1 2/2012 Feller  
 2012/0087072 A1 4/2012 McGuire et al.  
 2012/0110868 A1 5/2012 Abbondanzio  
 2012/0183712 A1 7/2012 Leonhard et al.  
 2012/0211168 A1 8/2012 Patel et al.  
 2012/0268394 A1 10/2012 Hsu et al.  
 2013/0020005 A1 1/2013 Koblick et al.  
 2013/0040088 A1 2/2013 Hirayama et al.  
 2013/0048203 A1 2/2013 Yau et al.  
 2013/0156999 A1 6/2013 Braesch et al.

2013/0264235 A1 \* 10/2013 Lin ..... A45C 11/00  
 206/320  
 2014/0055927 A1 \* 2/2014 Wang ..... H05K 7/00  
 361/679.01  
 2015/0041069 A1 2/2015 Wadsworth et al.  
 2015/0047773 A1 2/2015 Wadsworth et al.  
 2015/0107767 A1 4/2015 Wadsworth et al.

FOREIGN PATENT DOCUMENTS

CN	202623469	12/2012
CN	202896928	4/2013
CN	202967060	6/2013
JP	10199422	7/1998
JP	2002049327	2/2002
JP	2002057764	2/2002
JP	2003066419	3/2003
JP	2006145918	6/2006
JP	2006155452	6/2006
JP	3124275	8/2006
JP	D3180690	12/2012
KR	200454225	6/2011
KR	101135144	4/2012
KR	101176316	8/2012
KR	1020130043720	5/2013
WO	2004005141	1/2004
WO	2005058705	6/2005
WO	2011163151	12/2011
WO	2012074802	6/2012

OTHER PUBLICATIONS

MyScreenProtector—<https://www.myscreenprotector.com/?Ing=3&view=cms&txt=about-my-screen-protector>.  
 PureGear—PureTek Roll-On Kit—<http://www.pure-gear.com/shop-by-category/screen/puretek-roll-on-kit-antibacterial-antiglare-anti-fingerprint.html>.  
 Tylt Alin Perfect Alignment Screen Protection—<http://www.tylt.com/alin/>.  
 Zagg Introduces invisibleShield On Demand and invisible Shield Glass at CES 2—<http://investors.zagg.com/releasedetail.cfm?ReleaseID=817526>.  
 International Search Report and Written Opinion for PCT/US2014/060300, dated Jan. 27, 2015.  
 International Search Report and Written Opinion for PCT/US2014/050420, dated Nov. 19, 2014.  
 International Search Report and Written Opinion for PCT/US2014/071767, dated Apr. 24, 2015.

\* cited by examiner

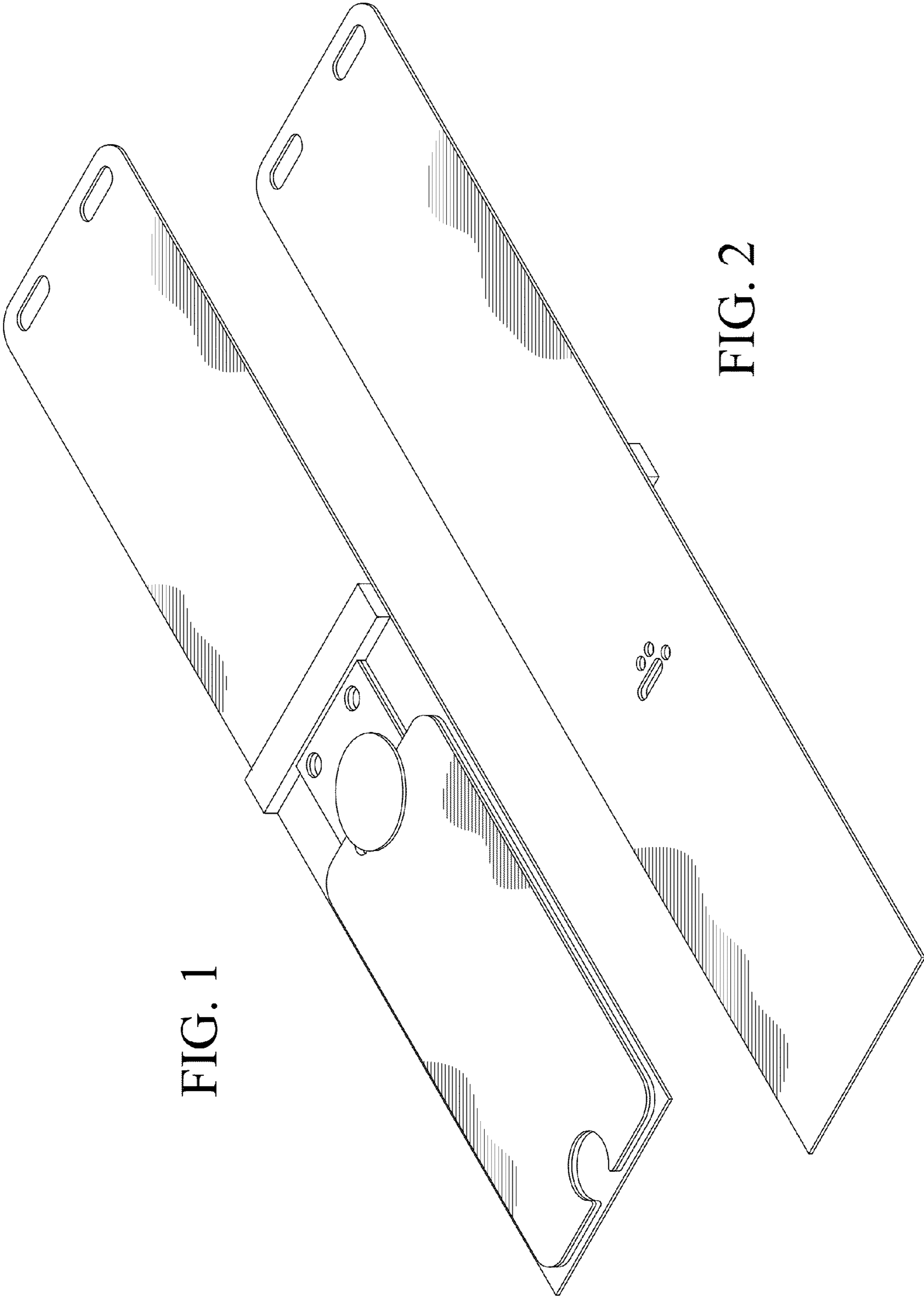


FIG. 1

FIG. 2

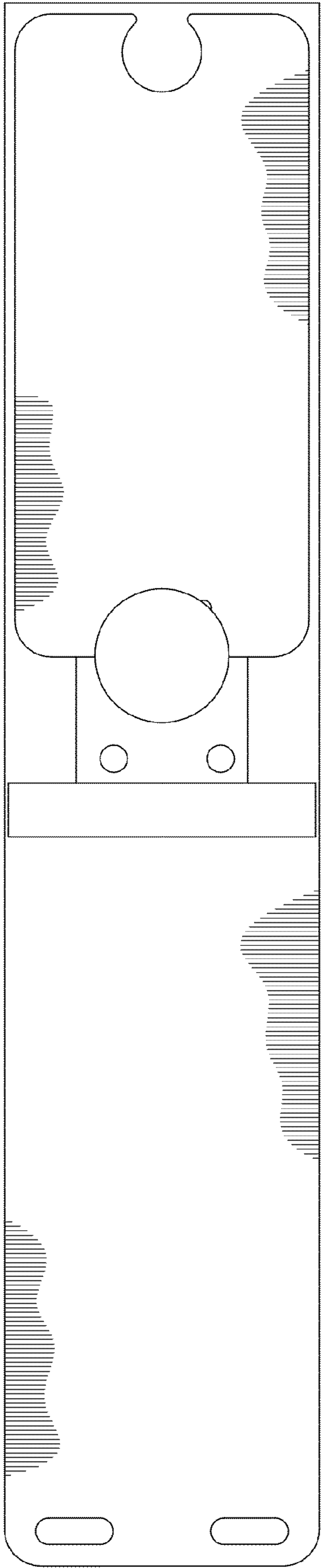


FIG. 3



FIG. 4

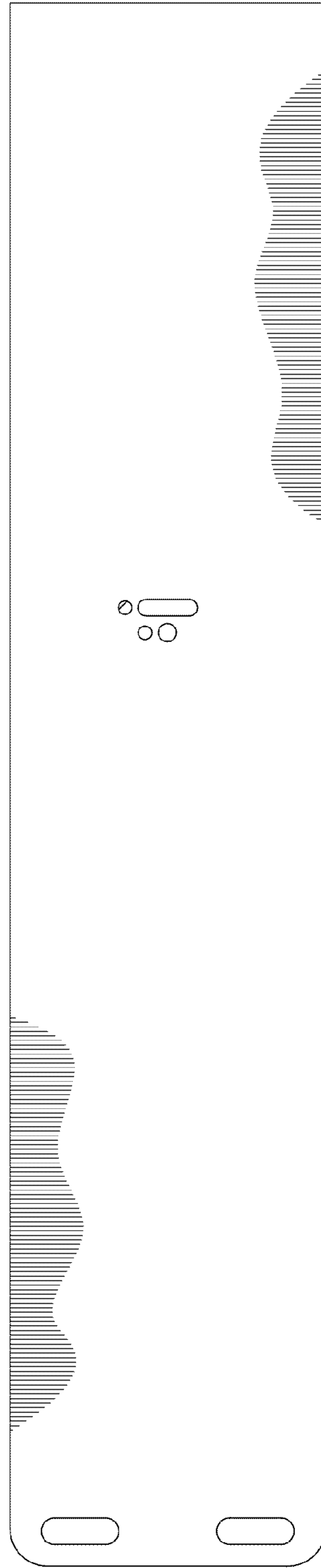


FIG. 5

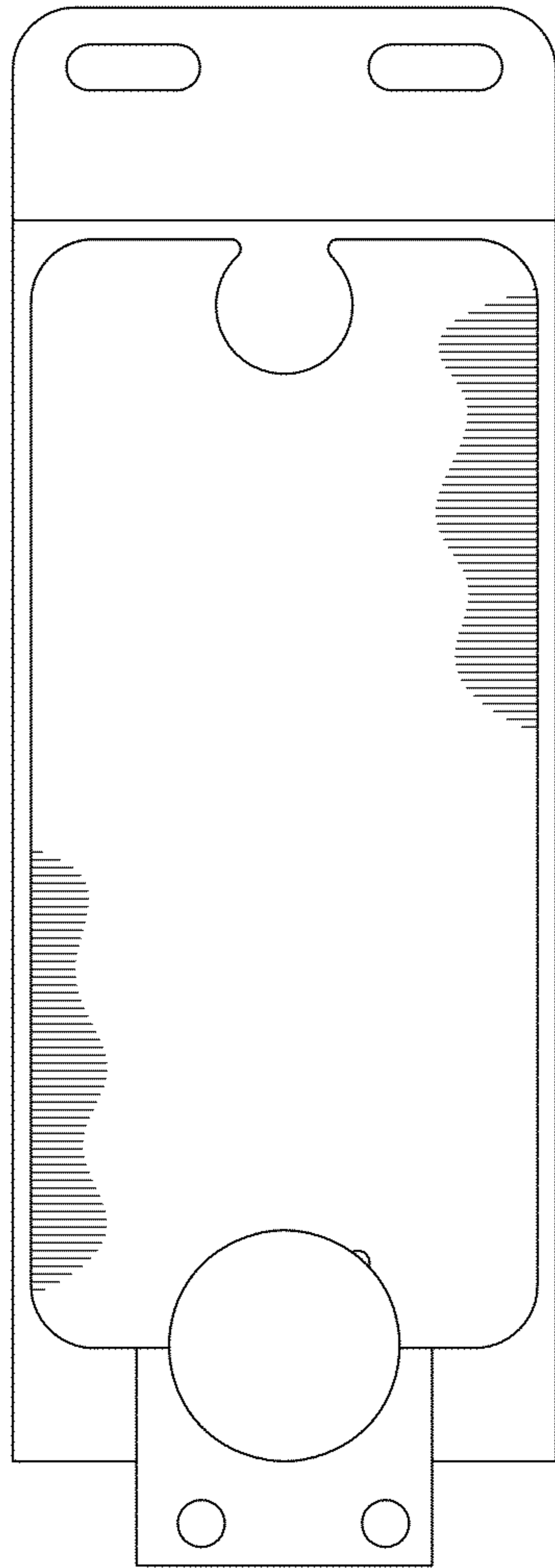


FIG. 6

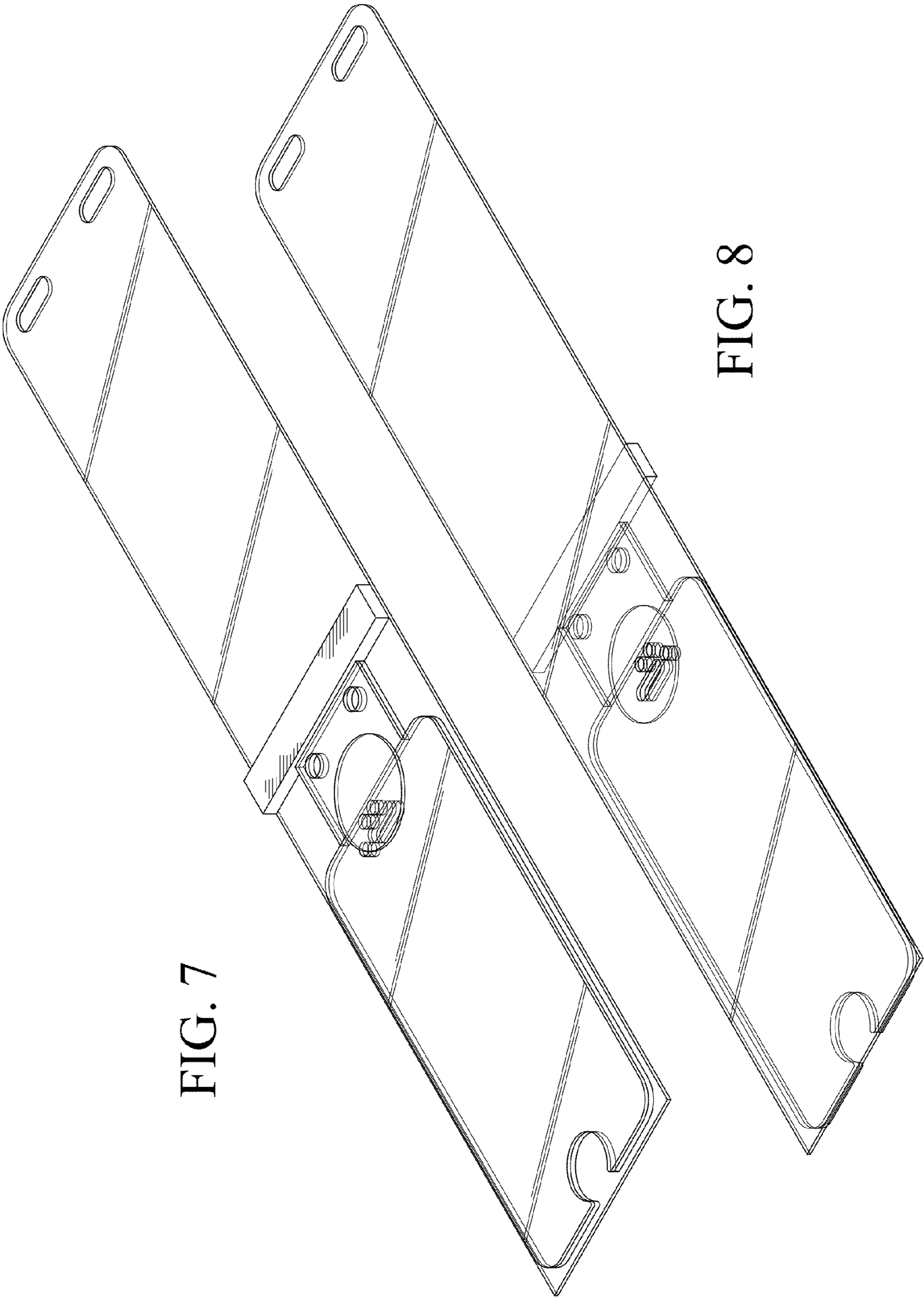


FIG. 7

FIG. 8

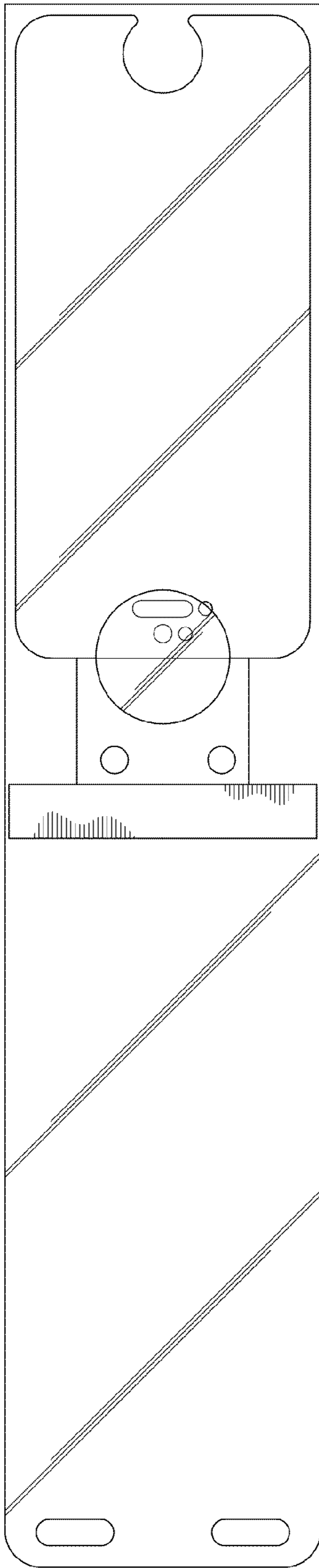


FIG. 9



FIG. 10

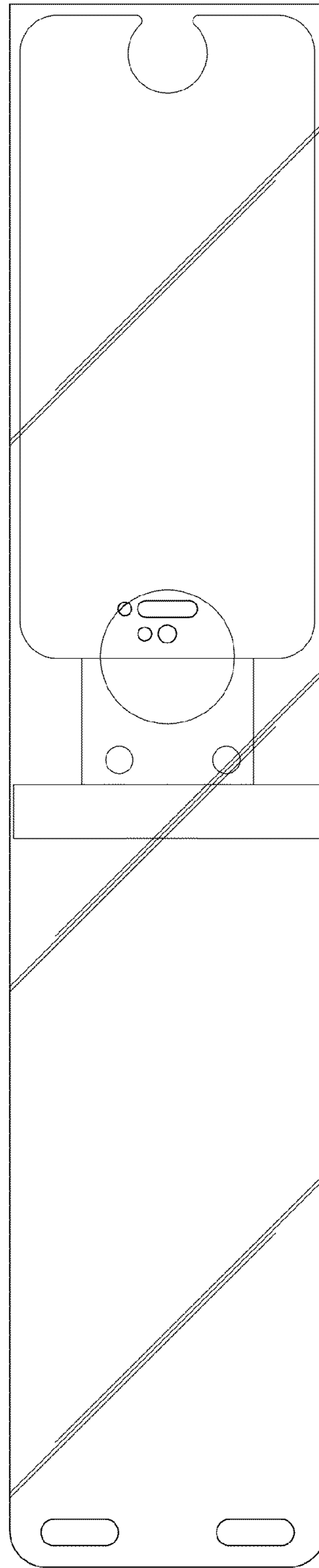


FIG. 11

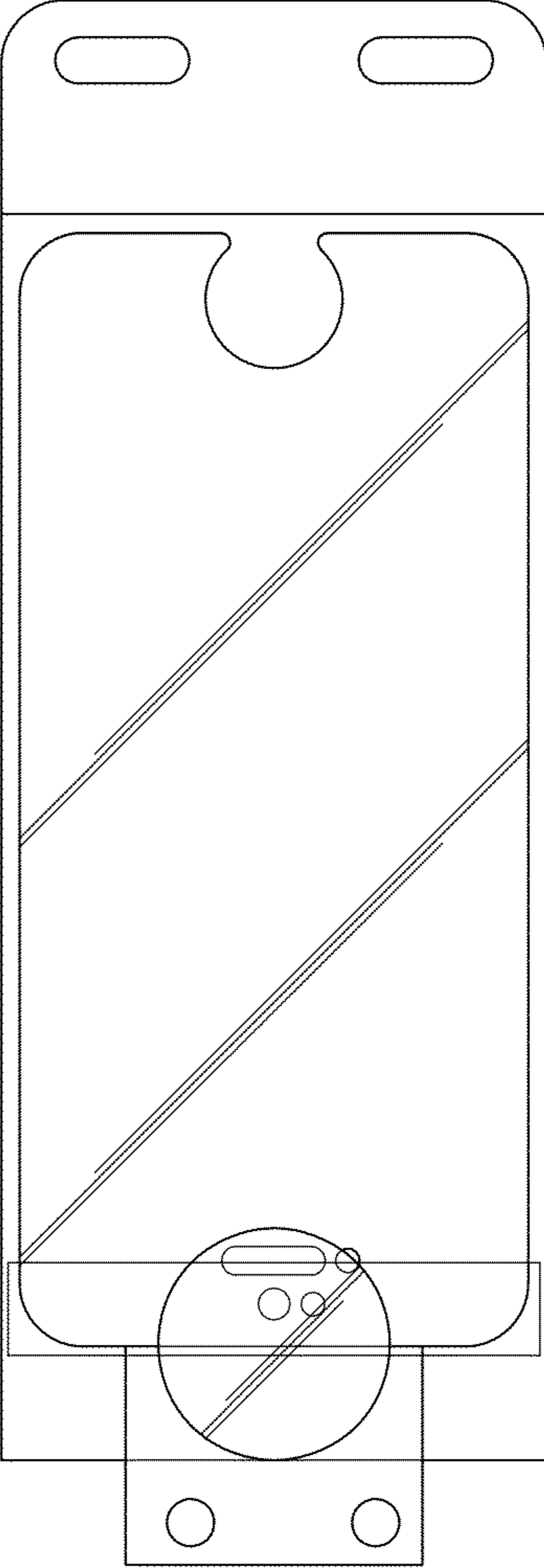


FIG. 12