



US00D759639S

(12) **United States Design Patent**
Moon et al.

(10) **Patent No.:** **US D759,639 S**
(45) **Date of Patent:** **** Jun. 21, 2016**

(54) **WIRELESS ACCESS POINT**
(71) Applicant: **Samsung Electronics Co., Ltd.**,
Suwon-si, Gyeonggi-do (KR)
(72) Inventors: **Jihyun Moon**, Gwangmyeong-si (KR);
Jihee Kwak, Seoul (KR)
(73) Assignee: **SAMSUNG ELECTRONICS CO.,**
LTD. (KR)

5,521,793 A * 5/1996 Dagleish H04B 1/38
220/315
D378,592 S * 3/1997 Hartwig D14/230
D438,532 S * 3/2001 Gargani D14/240
D438,533 S * 3/2001 Arpe D14/240
D455,420 S * 4/2002 Arpe D14/240
D485,551 S * 1/2004 Mikkola D14/240
D528,537 S * 9/2006 Wang D14/230
D637,162 S * 5/2011 Bridgman D13/152
D687,817 S * 8/2013 Petersen D14/240
D695,281 S * 12/2013 Petersen D14/240
D744,464 S * 12/2015 Snyder D14/240

(**) Term: **14 Years**

* cited by examiner

(21) Appl. No.: **29/502,673**

Primary Examiner — Bridget L Eland

(22) Filed: **Sep. 18, 2014**

(74) *Attorney, Agent, or Firm* — Cantor Colburn LLP

(30) **Foreign Application Priority Data**

Jul. 14, 2014 (KR) 30-2014-0034327

(51) **LOC (10) Cl.** **14-03**

(52) **U.S. Cl.**
USPC **D14/242**

(58) **Field of Classification Search**
USPC D14/240, 242, 357, 358, 125,
D14/140-140.9, 155, 137, 139, 243, 239,
D14/433
CPC H04L 12/00; H04L 17/00; H04L 88/00;
H04L 88/005; H04W 88/02; H04W 88/08;
H04W 88/085; H04W 88/10; H04W 88/12;
H04W 88/14; H04B 1/38

See application file for complete search history.

(56) **References Cited**

U.S. PATENT DOCUMENTS

D342,523 S * 12/1993 Morgan D13/156
D364,618 S * 11/1995 Somoza D14/142

(57) **CLAIM**

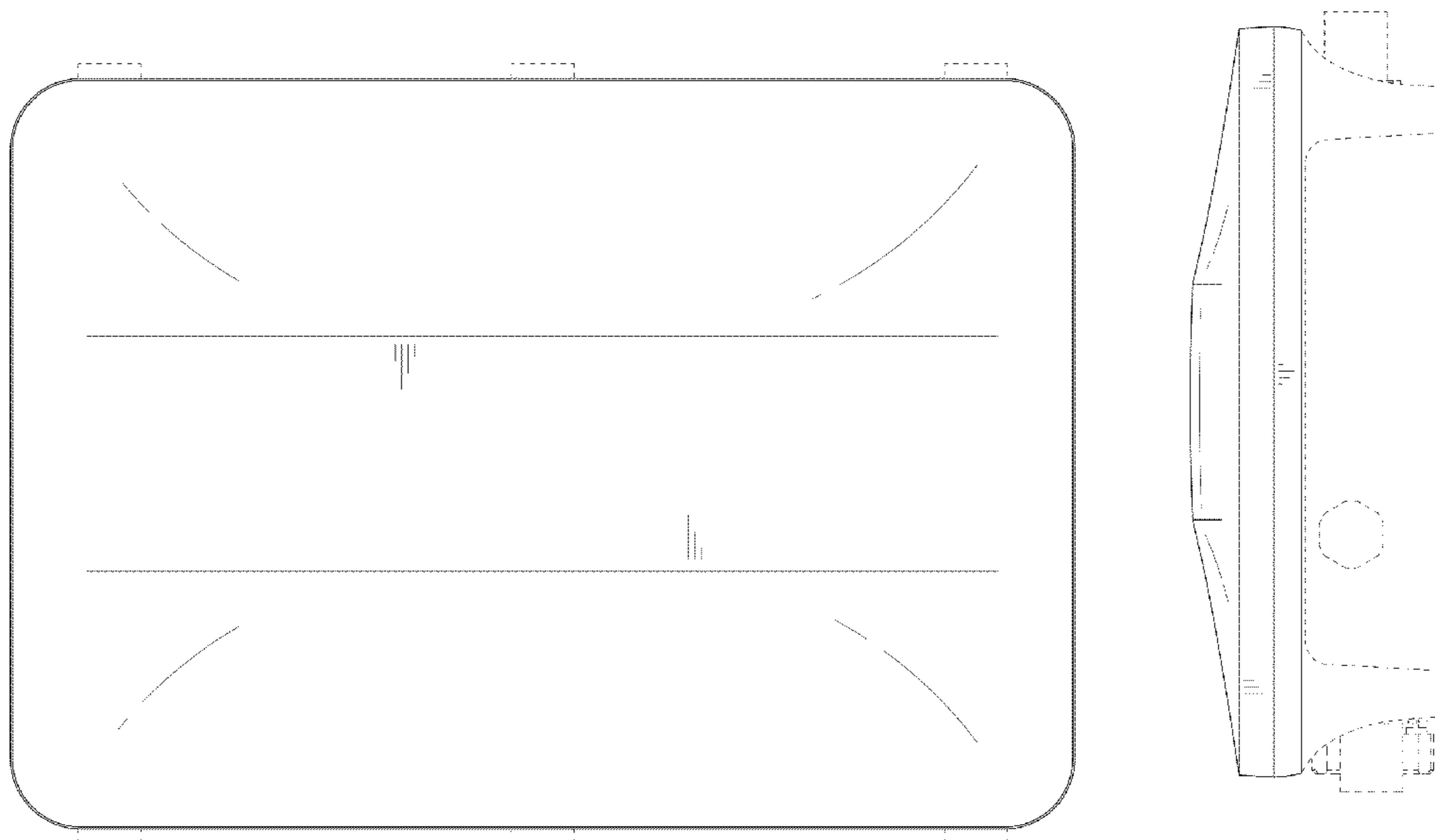
The ornamental design for a wireless access point, as shown and described.

DESCRIPTION

FIG. 1 is a perspective view of a wireless access point, showing our new design;
FIG. 2 is a front view thereof;
FIG. 3 is a rear view thereof;
FIG. 4 is a side view thereof;
FIG. 5 is another side view thereof;
FIG. 6 is a top view thereof; and,
FIG. 7 is a bottom view thereof.

The broken line shows portions of the wireless access point which form no part of the claimed design.

1 Claim, 7 Drawing Sheets



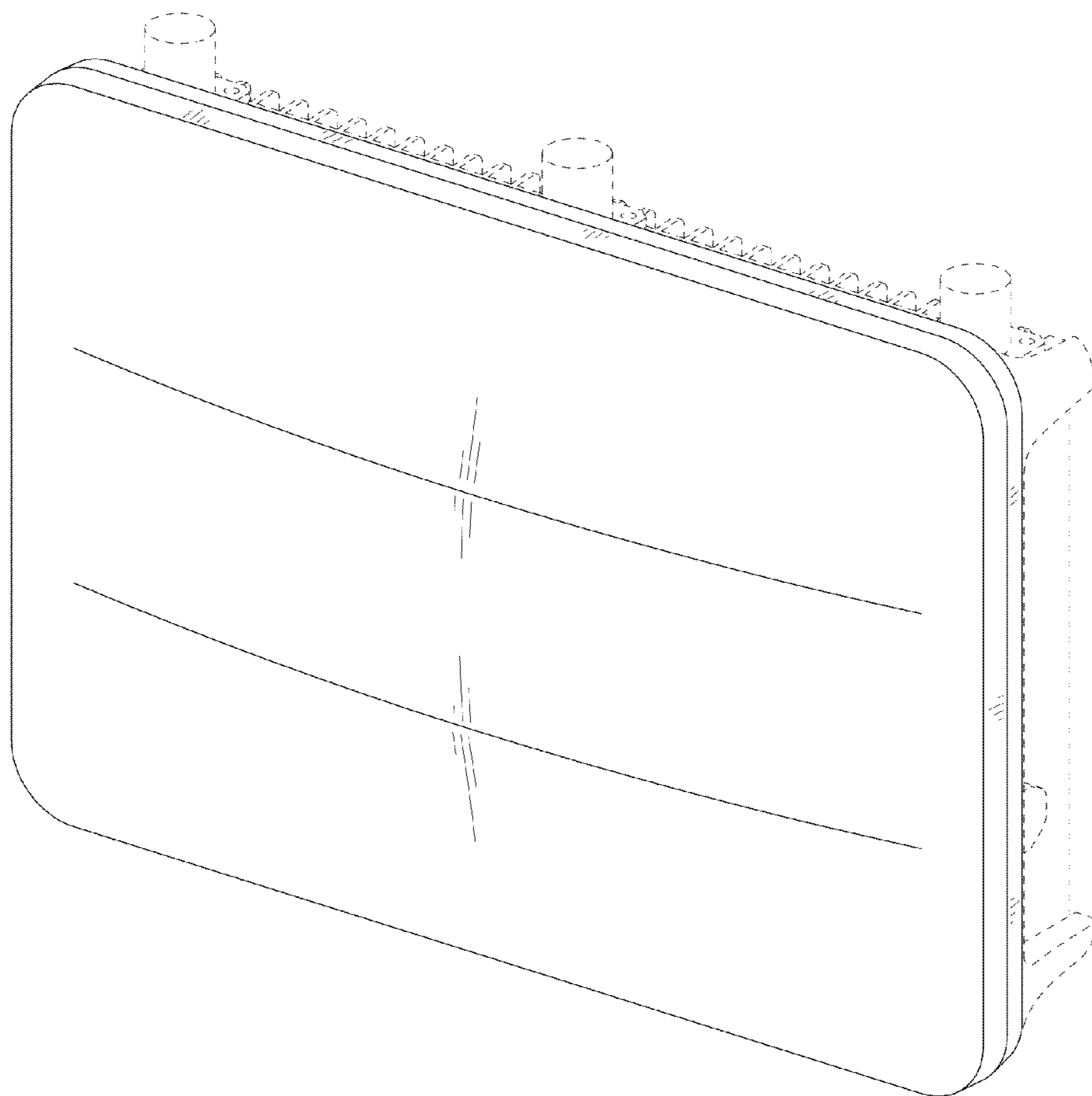


FIG. 1

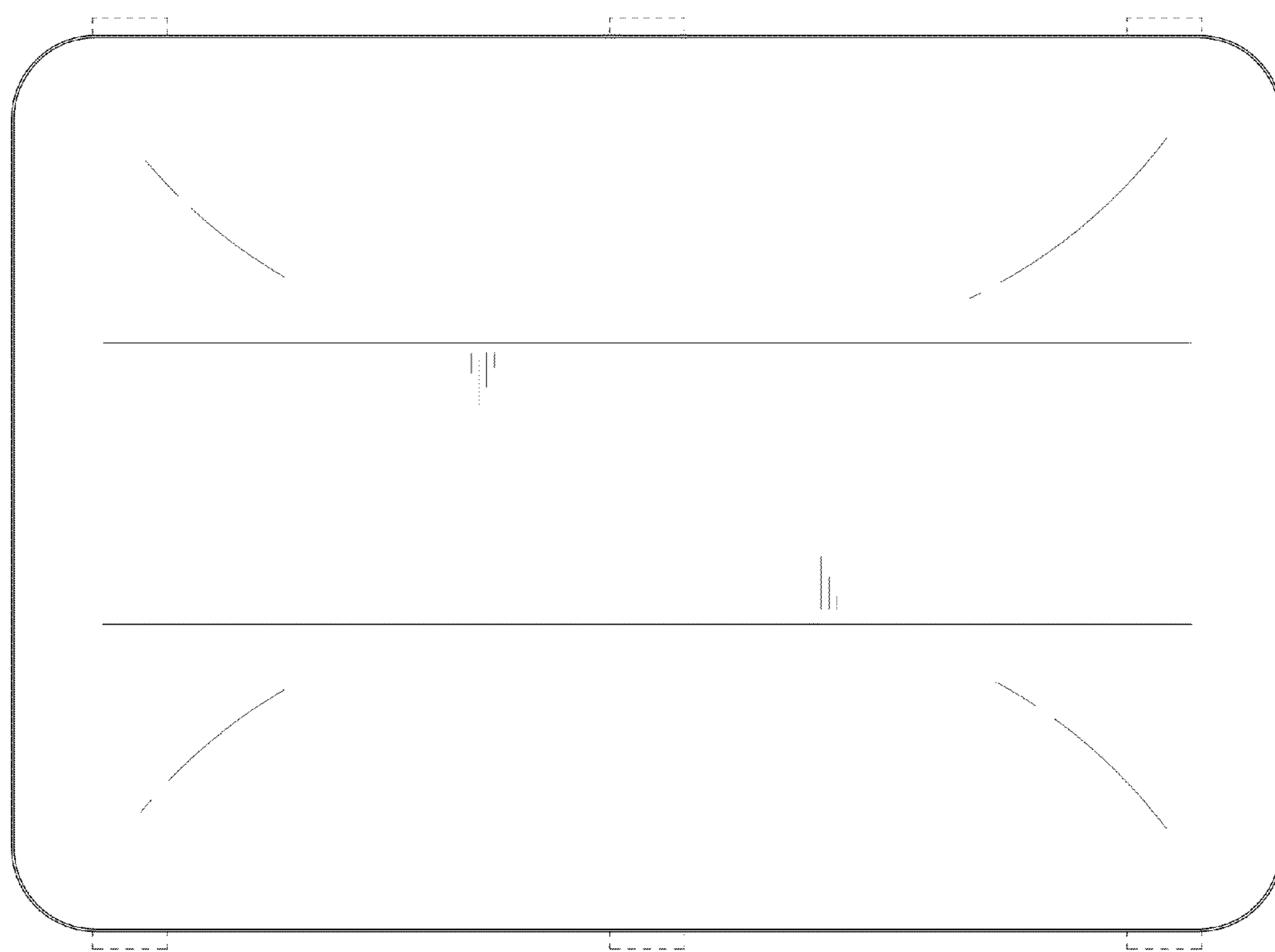


FIG. 2

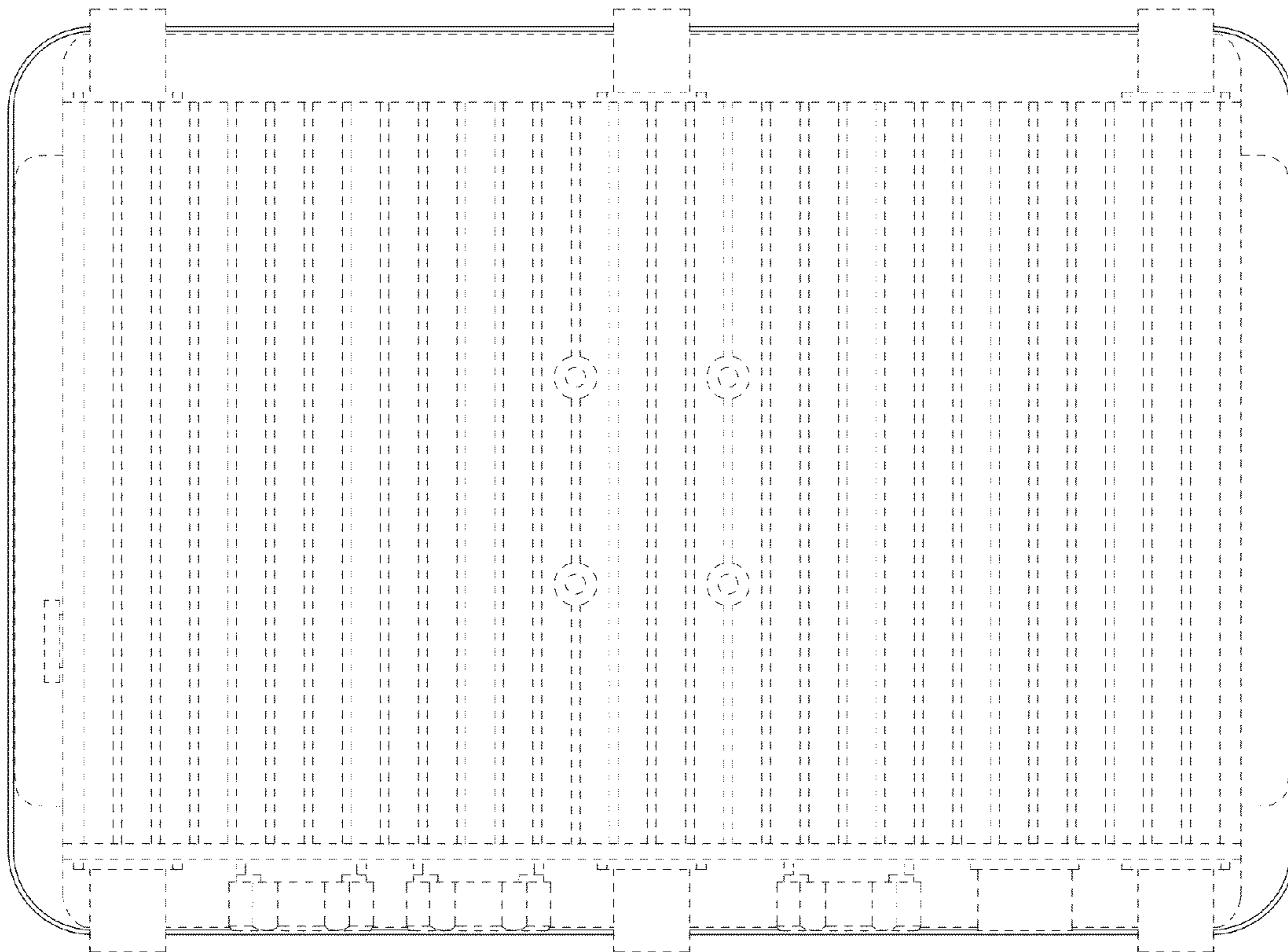


FIG. 3

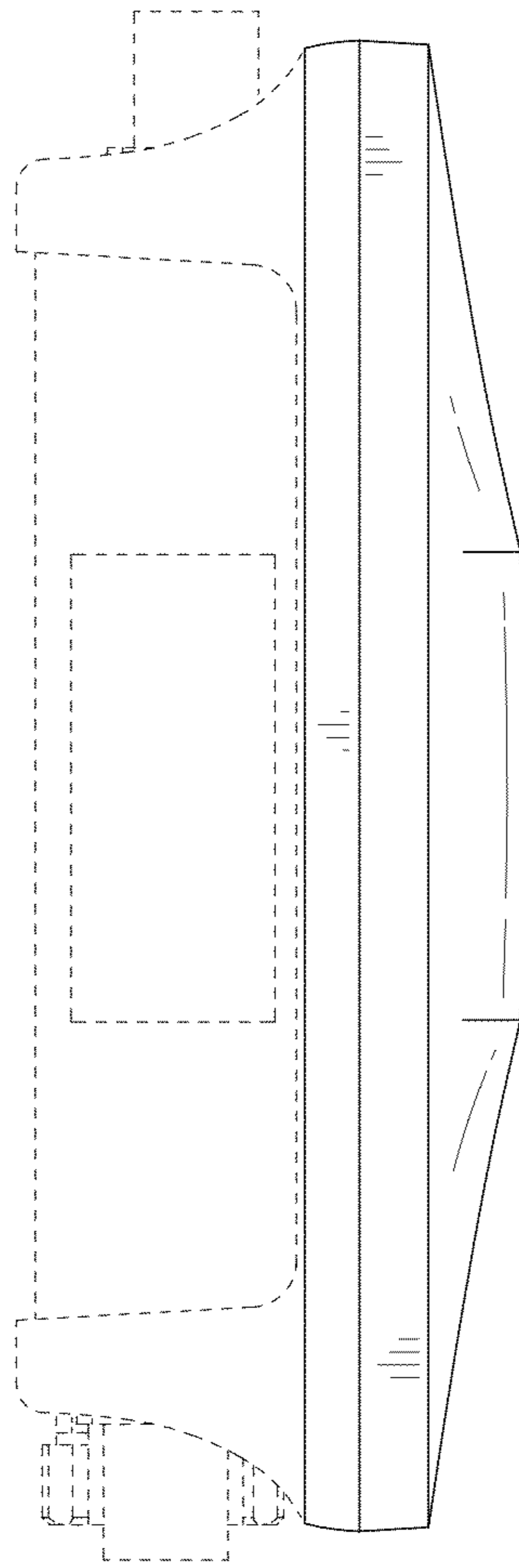


FIG. 4

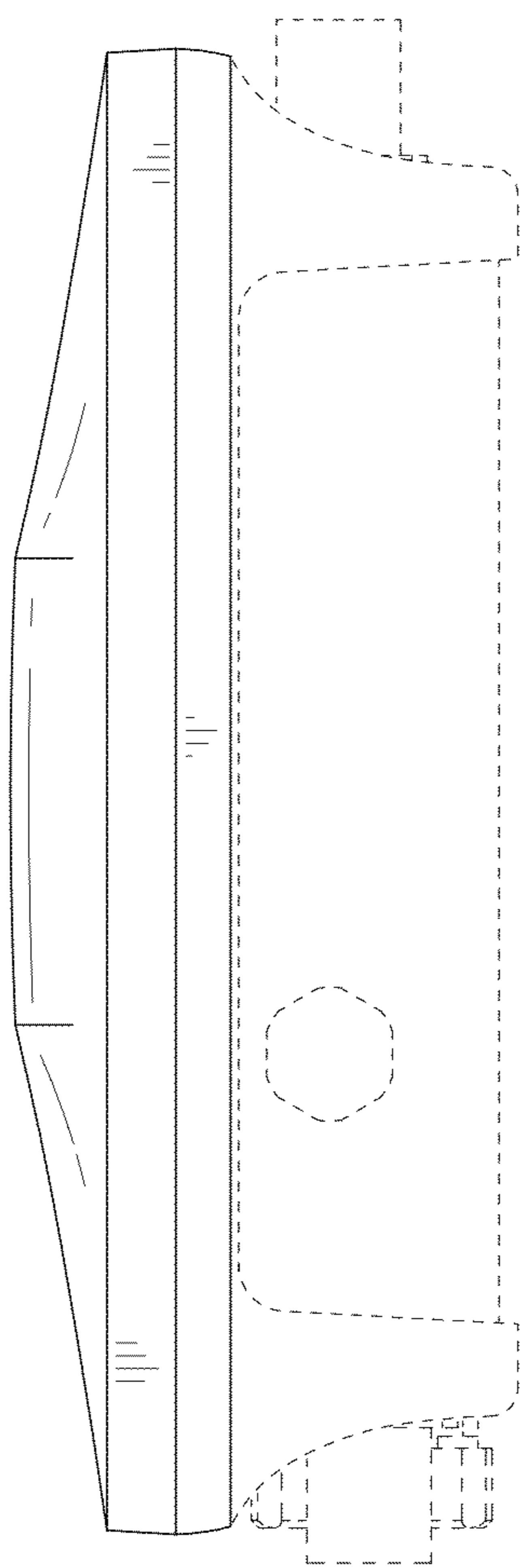


FIG. 5

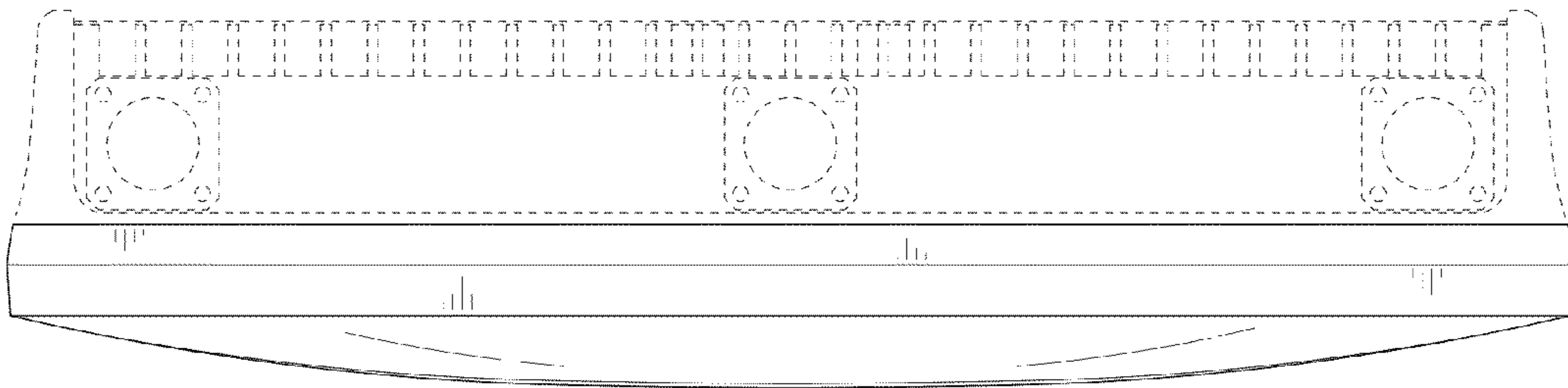


FIG. 6

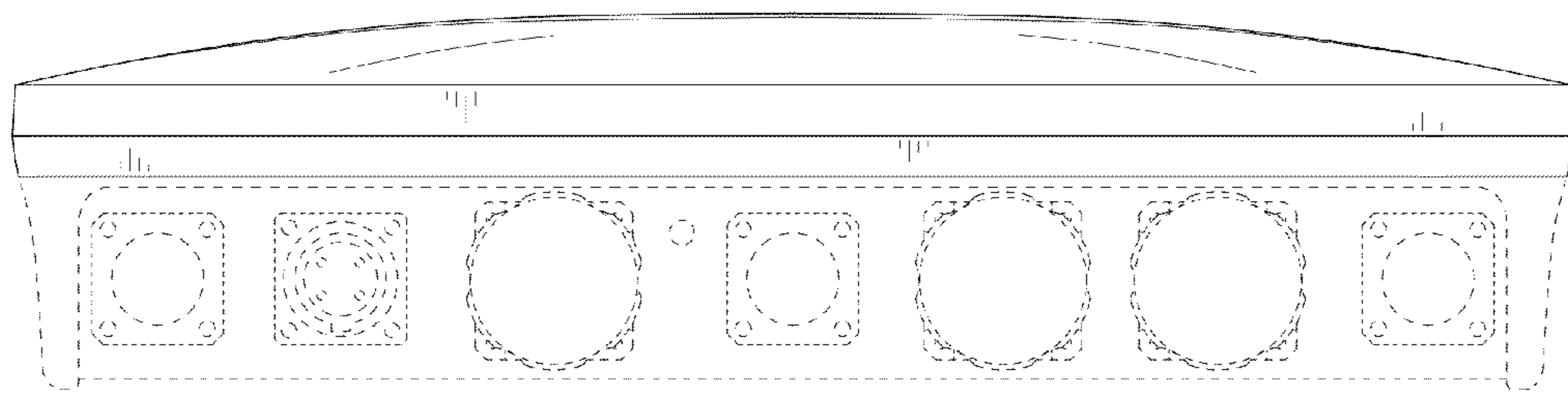


FIG. 7