



US00D759638S

(12) **United States Design Patent**
Cheng

(10) **Patent No.:** **US D759,638 S**

(45) **Date of Patent:** **** Jun. 21, 2016**

(54) **WI-FI ACCESS POINT**

(71) Applicants: **LITE-ON ELECTRONICS (GUANGZHOU) LIMITED**,
Guangzhou (CN); **LITE-ON TECHNOLOGY CORPORATION**,
Taipei (TW)

(72) Inventor: **Chi-Hsiang Cheng**, New Taipei (TW)

(73) Assignees: **LITE-ON ELECTRONICS (GUANGZHOU) LIMITED**,
Guangzhou (CN); **LITE-ON TECHNOLOGY CORPORATION**,
Taipei (TW)

(**) Term: **14 Years**

(21) Appl. No.: **29/496,765**

(22) Filed: **Jul. 17, 2014**

(30) **Foreign Application Priority Data**

May 30, 2014 (CN) 2014 3 0160198

(51) **LOC (10) Cl.** **14-03**

(52) **U.S. Cl.**
USPC **D14/242**

(58) **Field of Classification Search**
USPC D14/240, 242, 357, 358, 140-140.9,
D14/155, 137, 139, 243, 433
CPC H04L 12/00; H03K 17/00; H04W 88/00;
H04W 88/005; H04W 88/02; H04W 88/08;
H04W 88/085; H04W 88/10; H04W 88/12;
H04W 88/14; H04B 1/38

See application file for complete search history.

(56) **References Cited**

U.S. PATENT DOCUMENTS

D396,471 S * 7/1998 Kolinen D14/240
D398,899 S * 9/1998 Chaco D13/103
D417,672 S * 12/1999 Laufer et al. D14/240

D426,529 S * 6/2000 Lohrding et al. D14/137
D429,238 S * 8/2000 Kolinen D14/240
D485,551 S * 1/2004 Mikkola et al. D14/240
D489,070 S * 4/2004 Chatterjee D14/433
D515,527 S * 2/2006 Swallow D14/137
D540,314 S * 4/2007 Allen et al. D14/230
D577,713 S * 9/2008 Kim et al. D14/218
D628,573 S * 12/2010 Wang D14/356
D641,740 S * 7/2011 Jeon et al. D14/240
D644,221 S * 8/2011 Kemery et al. D14/358
D659,130 S * 5/2012 Chien et al. D14/242
D659,690 S * 5/2012 Huang D14/240
D664,143 S * 7/2012 Chaturvedi et al. D14/358

(Continued)

Primary Examiner — Bridget L Eland

(74) *Attorney, Agent, or Firm* — Li & Cai Intellectual Property (USA) Office

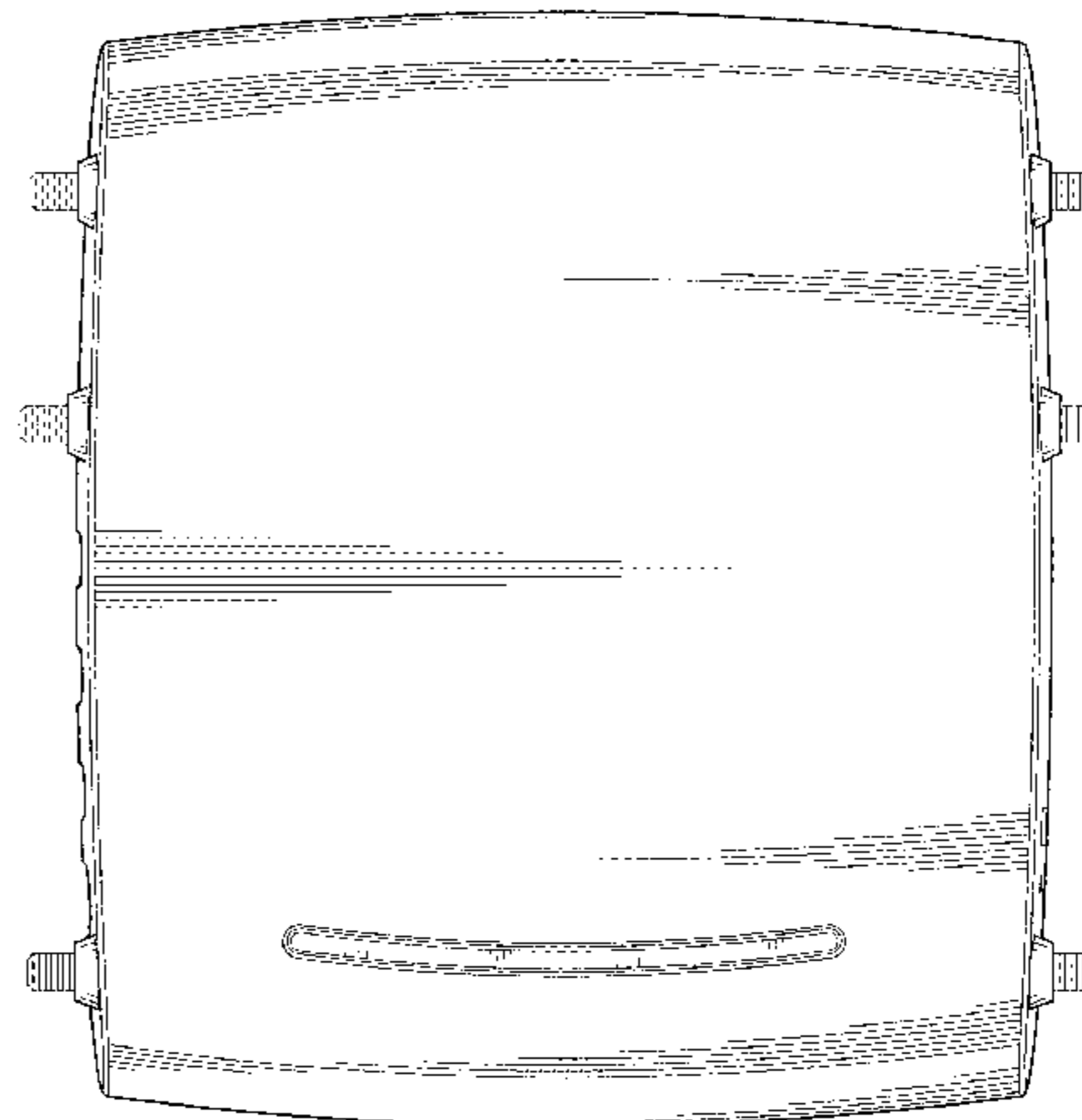
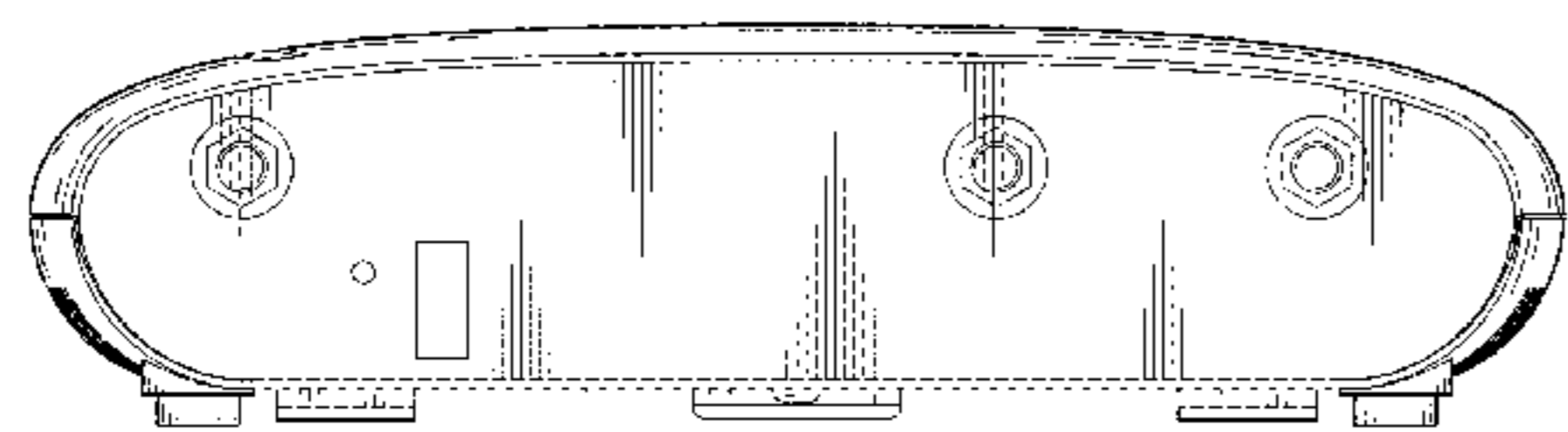
(57) **CLAIM**

The ornamental design for a “wi-fi access point”, as shown and described.

DESCRIPTION

FIG. 1 is a top perspective view of a first embodiment of a wi-fi access point showing my new design;
FIG. 2 is a front view thereof;
FIG. 3 is a rear view thereof;
FIG. 4 is a left side view thereof;
FIG. 5 is a right side view thereof;
FIG. 6 is a top view thereof;
FIG. 7 is a bottom view thereof;
FIG. 8 is a bottom perspective view thereof;
FIG. 9 is a top perspective view of a second embodiment of a wi-fi access point showing my new design;
FIG. 10 is a front view thereof;
FIG. 11 is a rear view thereof;
FIG. 12 is a left side view thereof;
FIG. 13 is a right side view thereof;
FIG. 14 is a top view thereof;
FIG. 15 is a bottom view thereof; and,
FIG. 16 is a bottom perspective view thereof.

1 Claim, 12 Drawing Sheets



(56)

References Cited

U.S. PATENT DOCUMENTS

D670,277 S * 11/2012 Huang D14/240
D687,424 S * 8/2013 Petersen et al. D14/240
D687,817 S * 8/2013 Petersen et al. D14/240
D695,281 S * 12/2013 Petersen et al. D14/240

D695,727 S * 12/2013 Shimizu D14/240
D704,683 S * 5/2014 Ueda et al. D14/240
D707,667 S * 6/2014 Kono et al. D14/240
D711,359 S * 8/2014 Marzynski et al. D14/240
D719,939 S * 12/2014 Liang et al. D14/240
D731,470 S * 6/2015 Terasawa D14/240

* cited by examiner

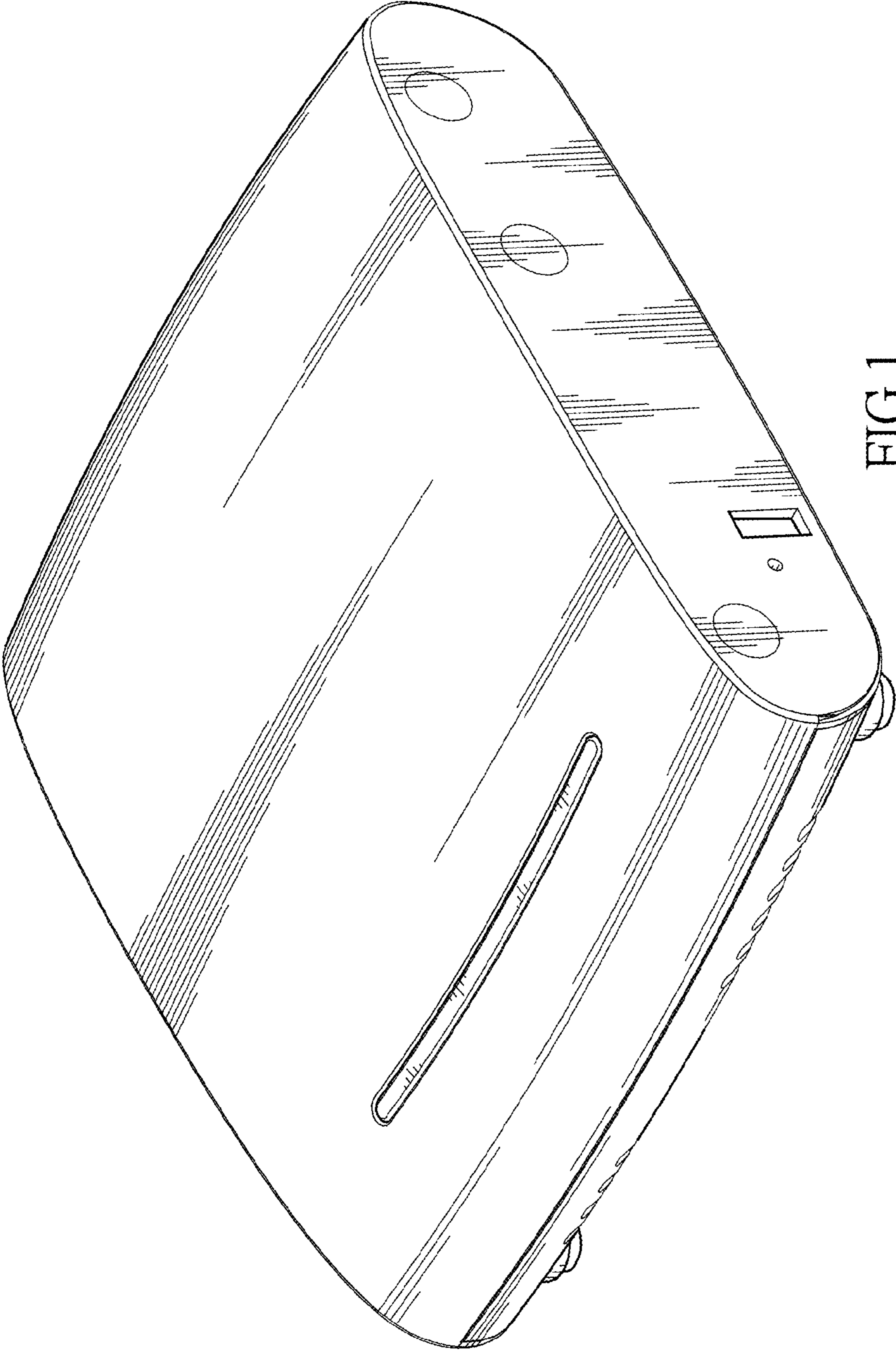


FIG.1

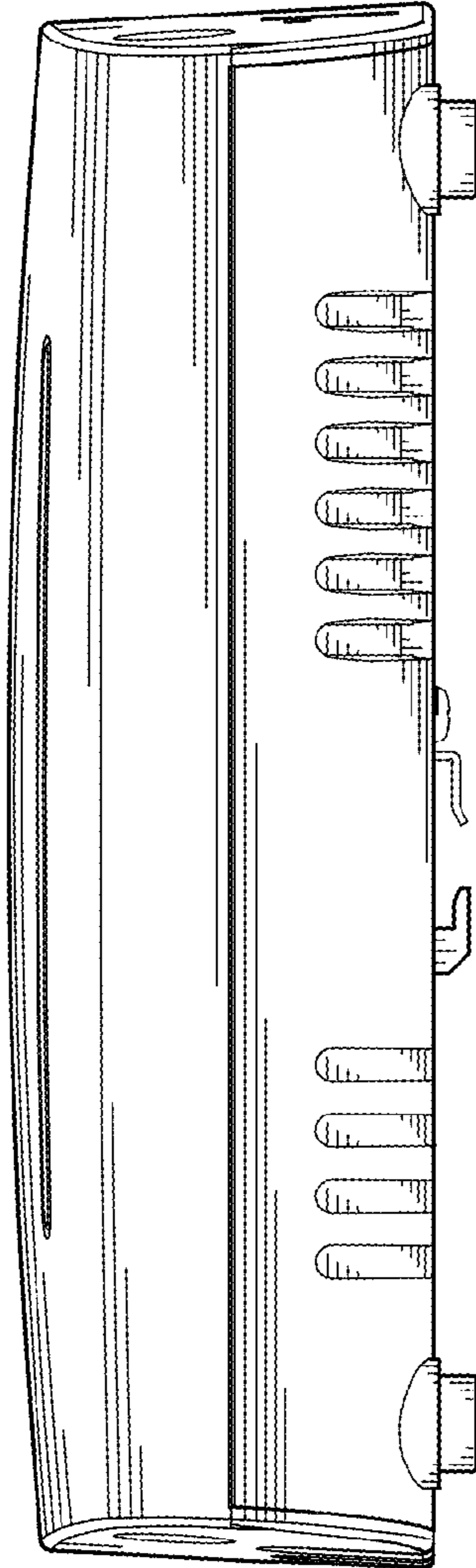


FIG. 2

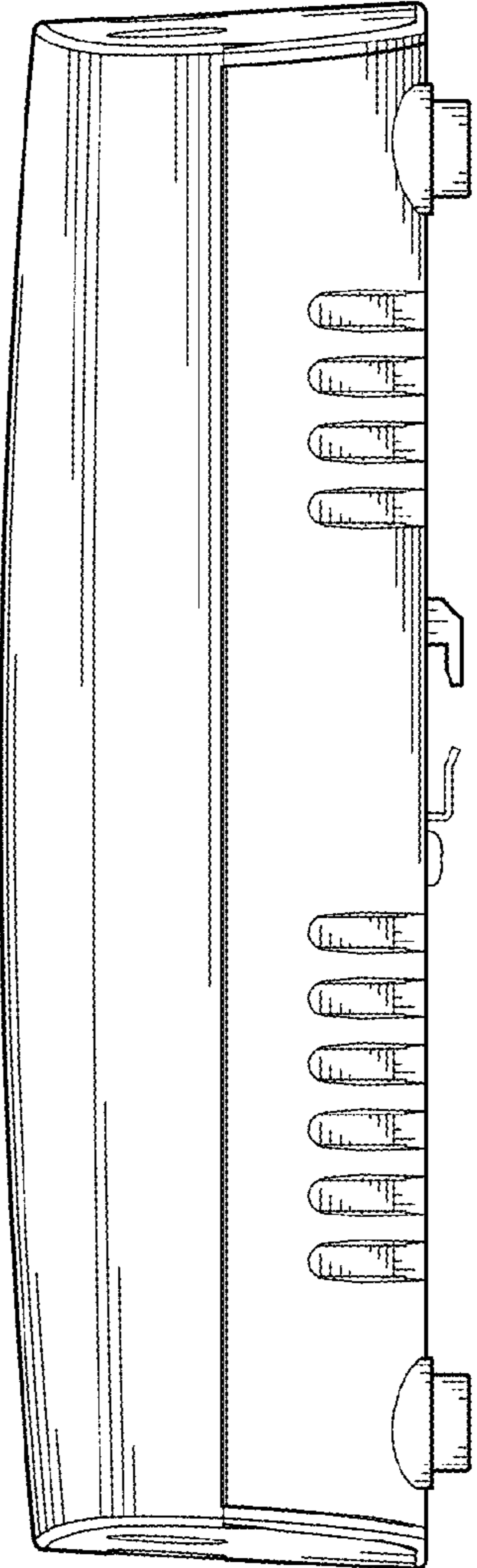


FIG. 3

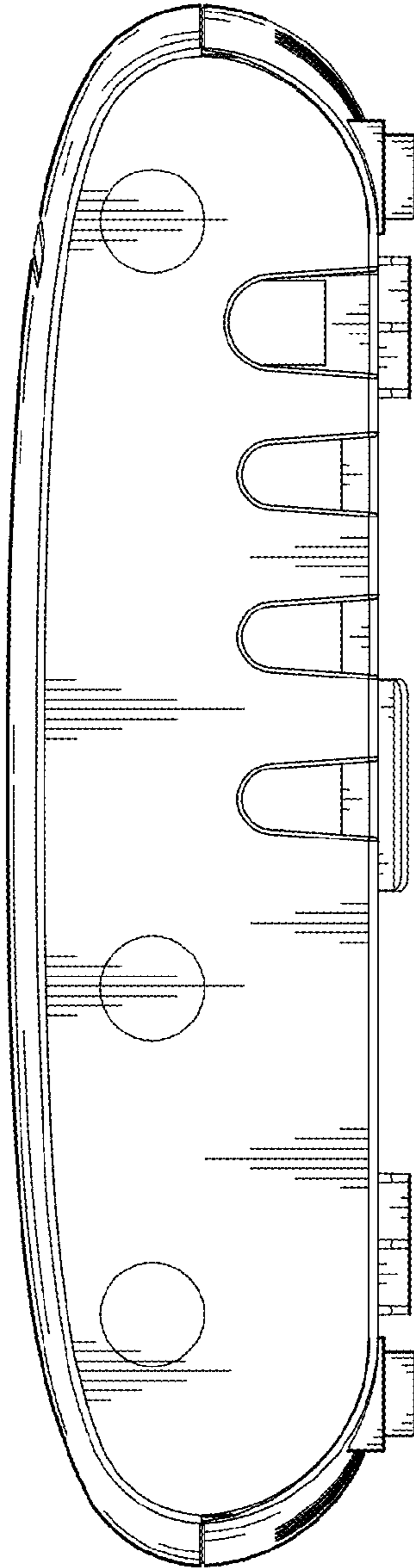


FIG.4

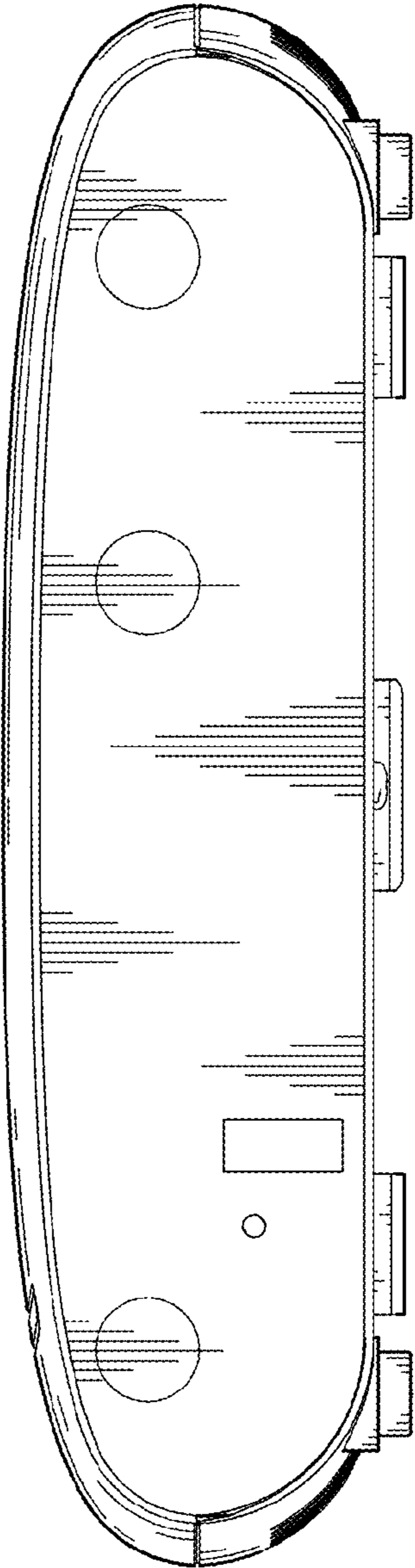


FIG.5

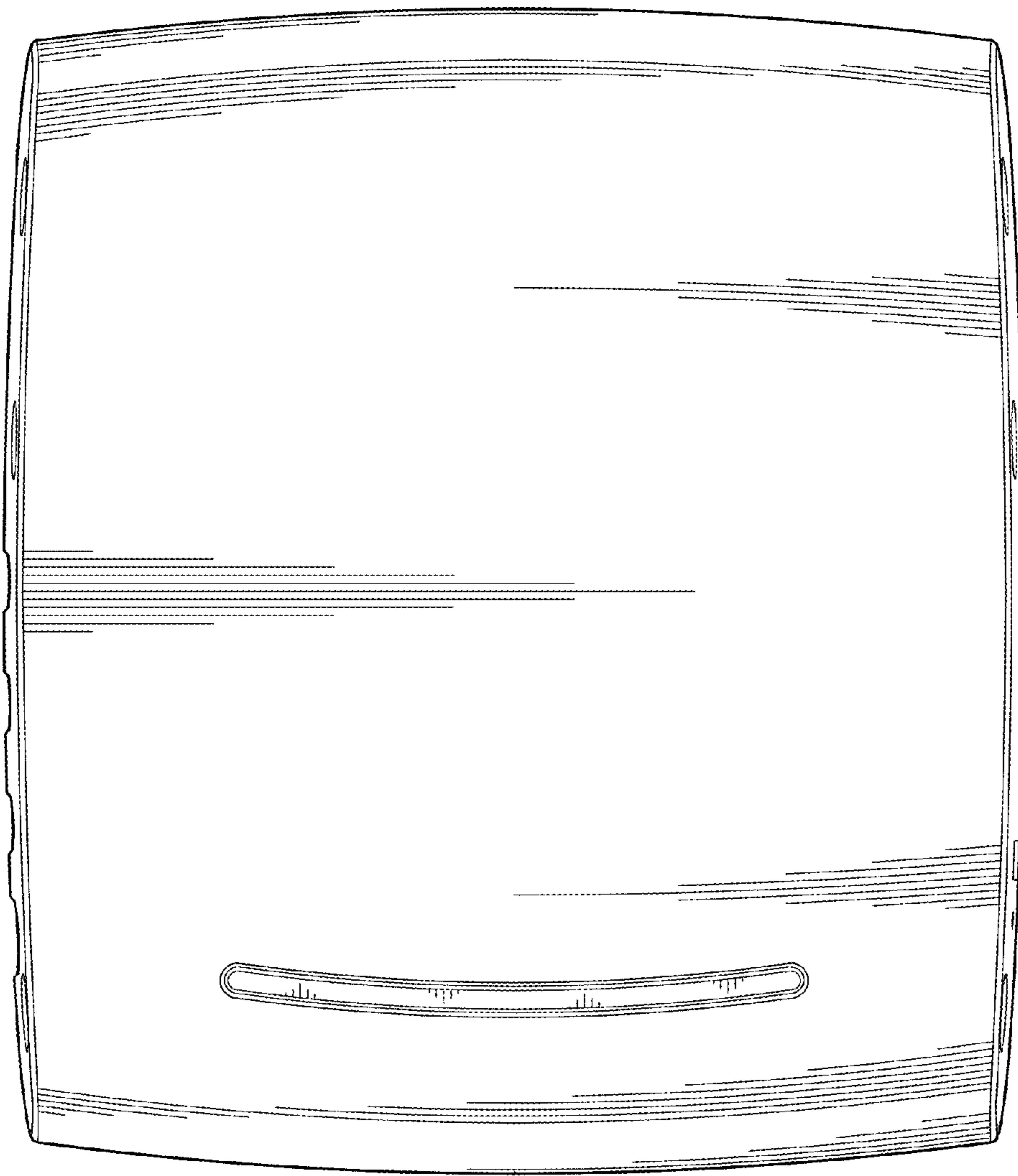


FIG.6

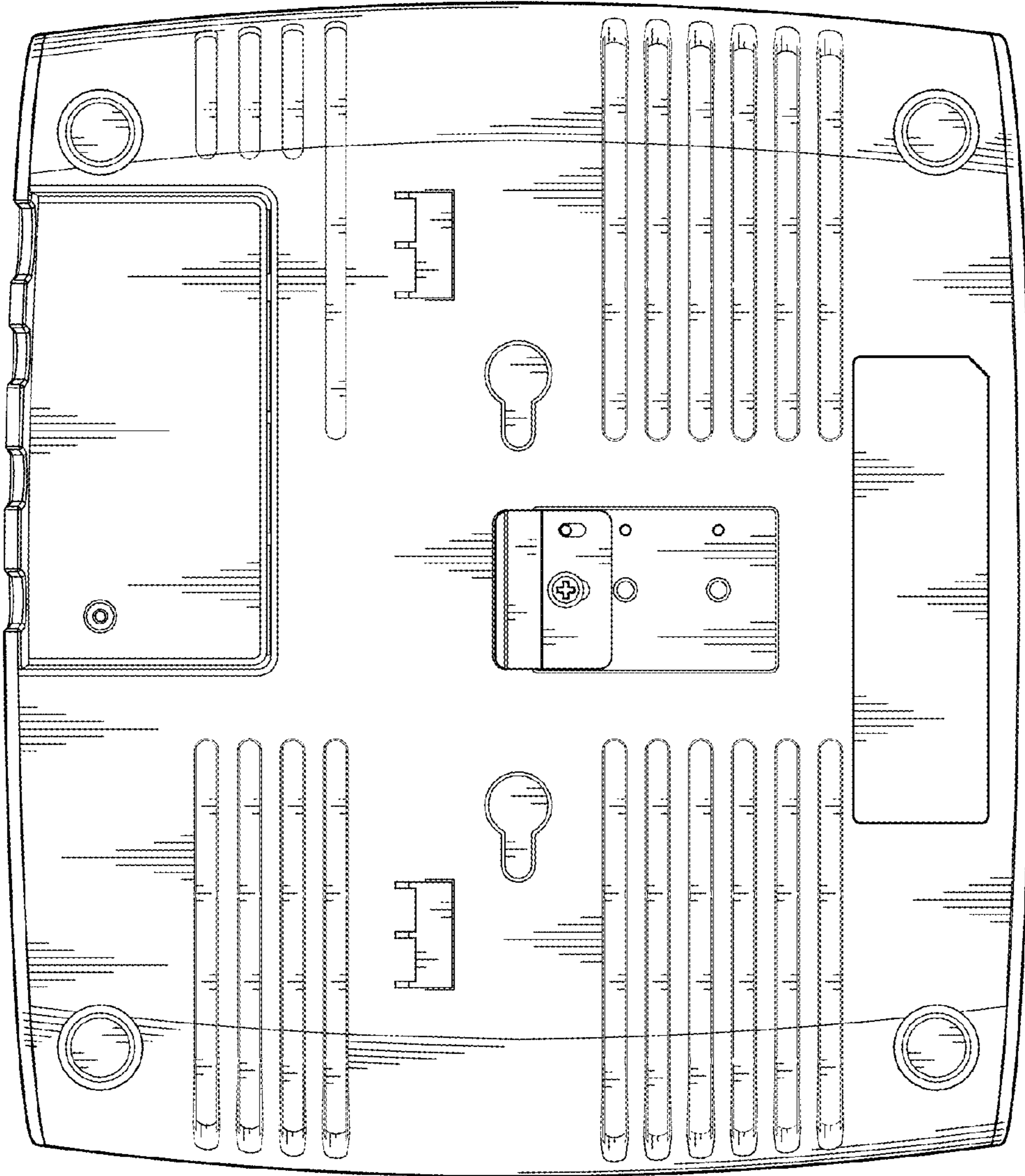


FIG.7

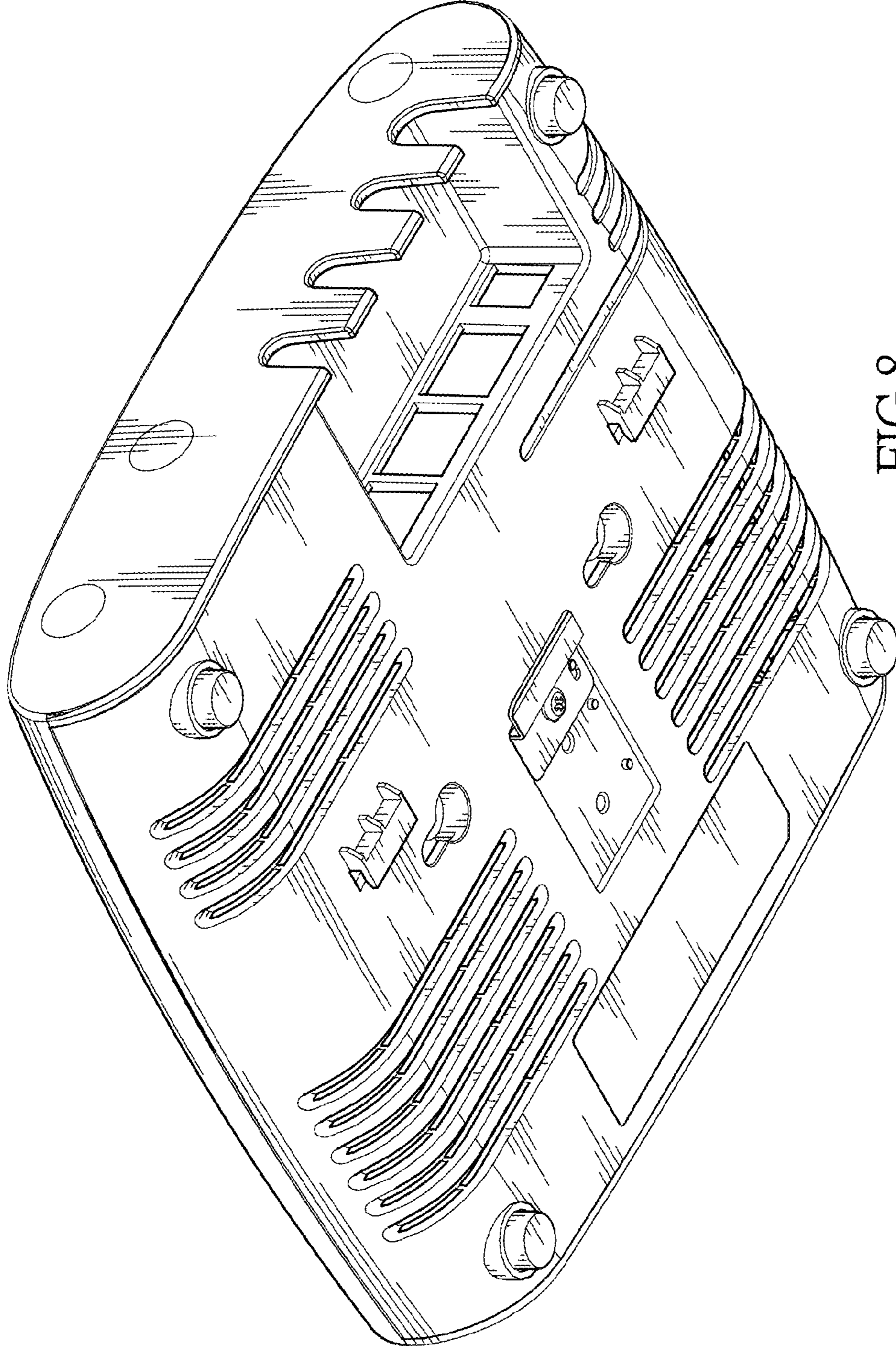


FIG.8

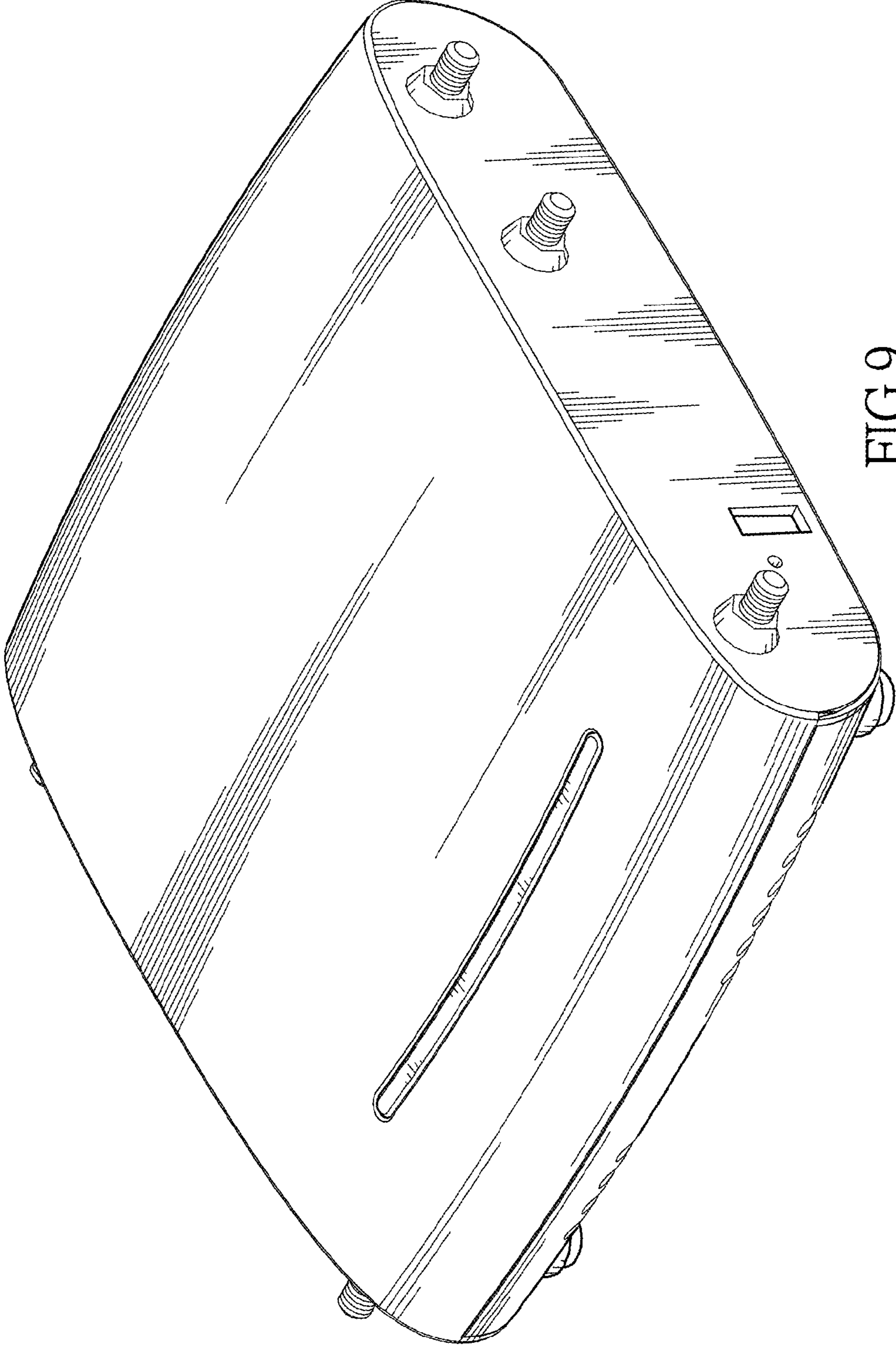


FIG.9

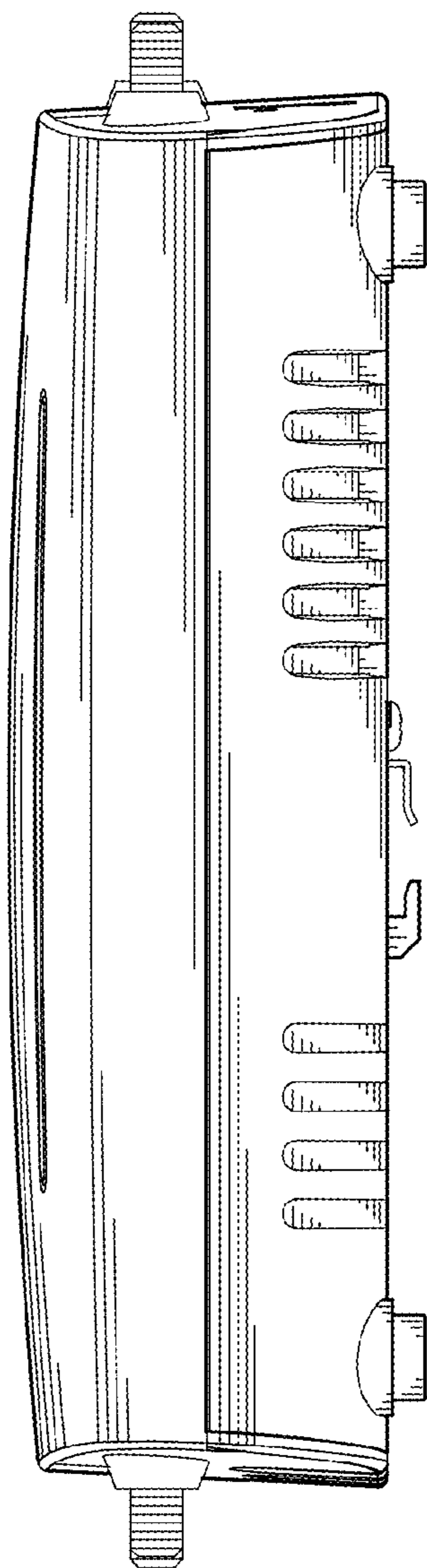


FIG. 10

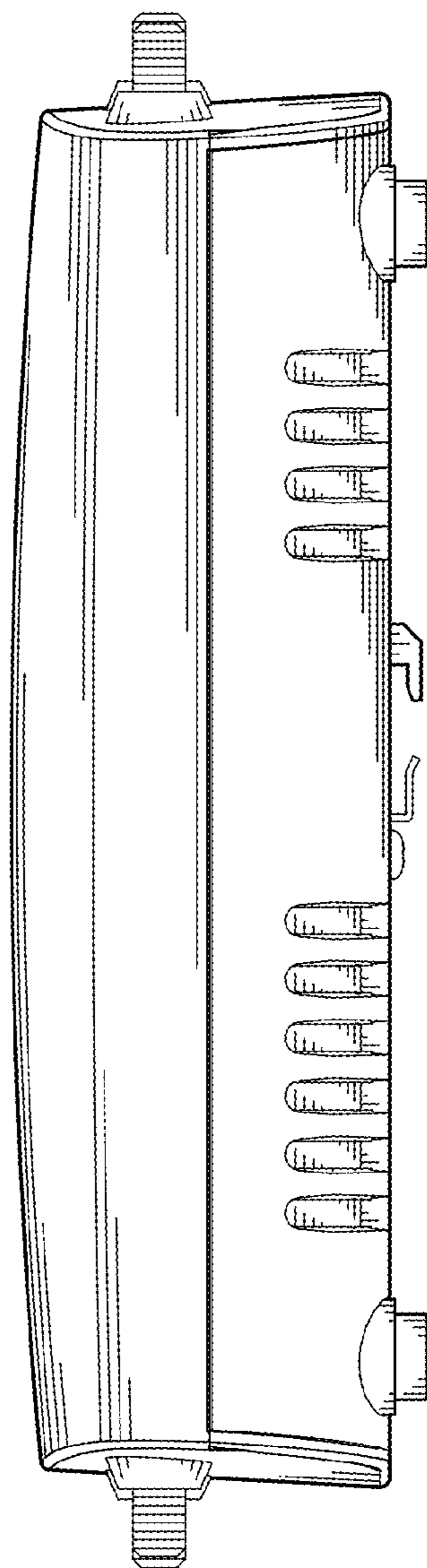


FIG. 11

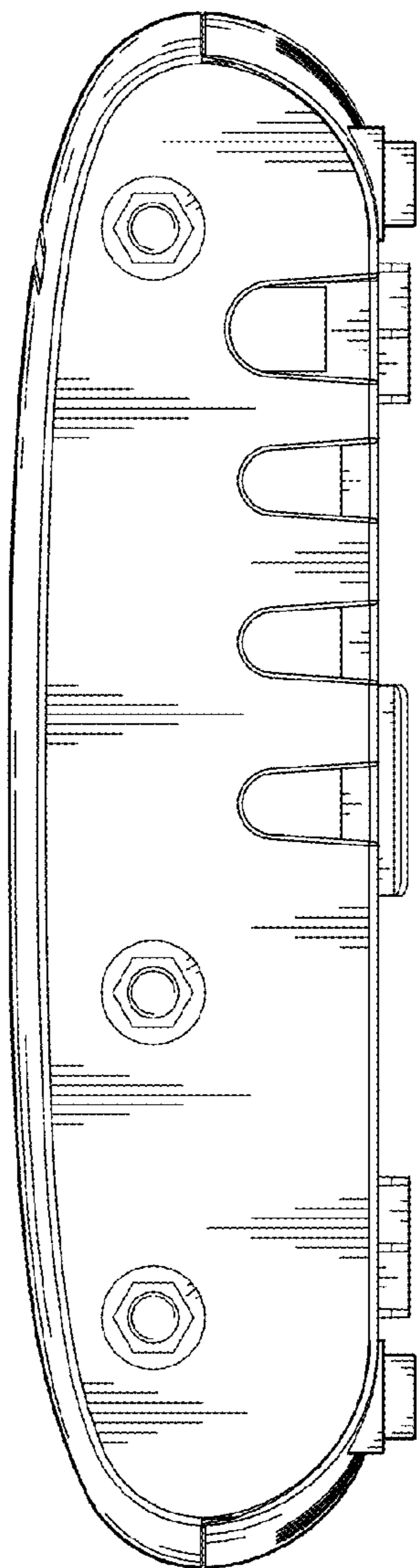


FIG.12

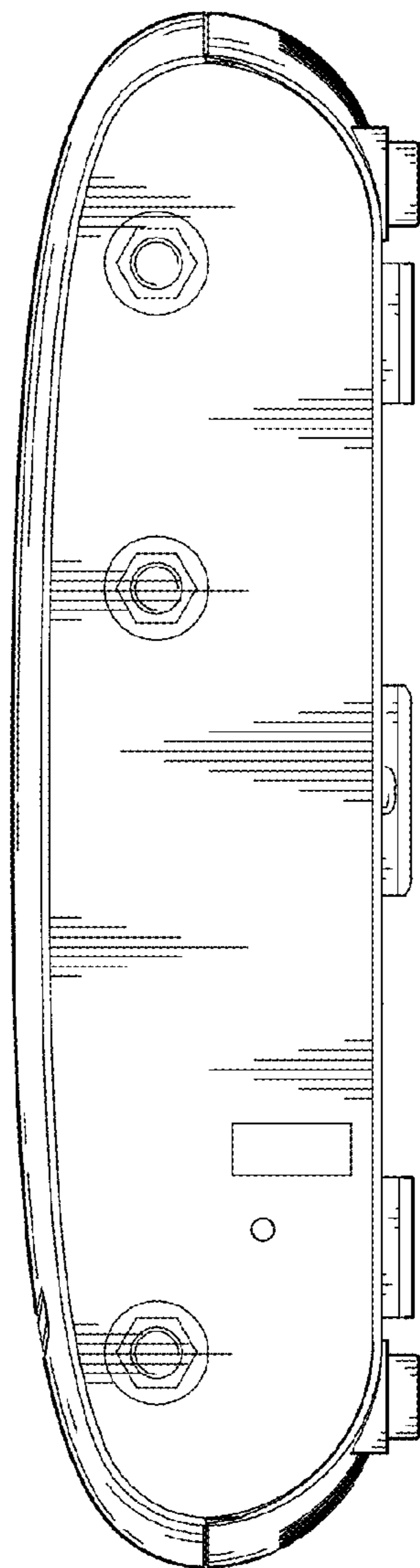


FIG.13

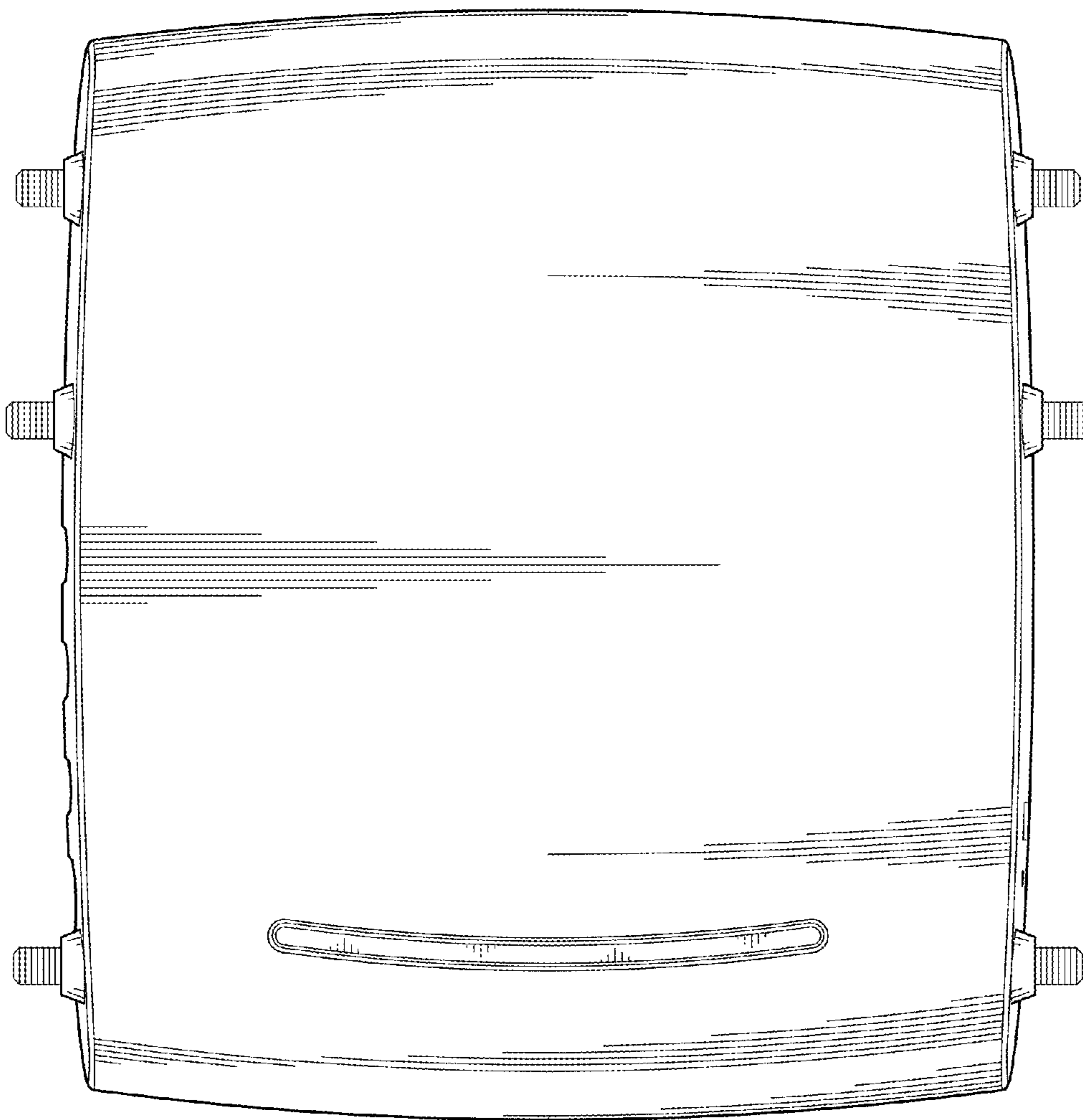


FIG.14

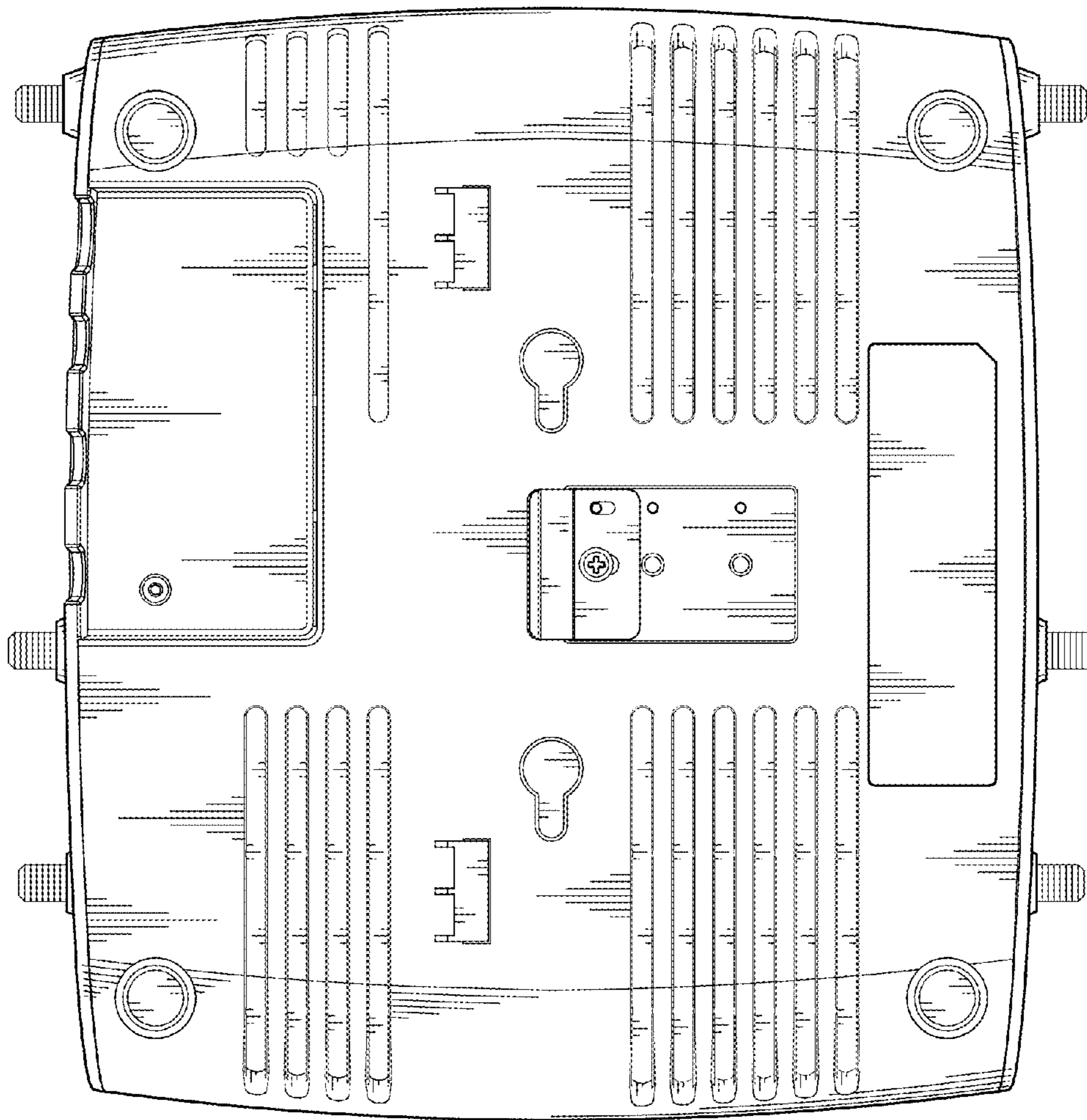


FIG.15

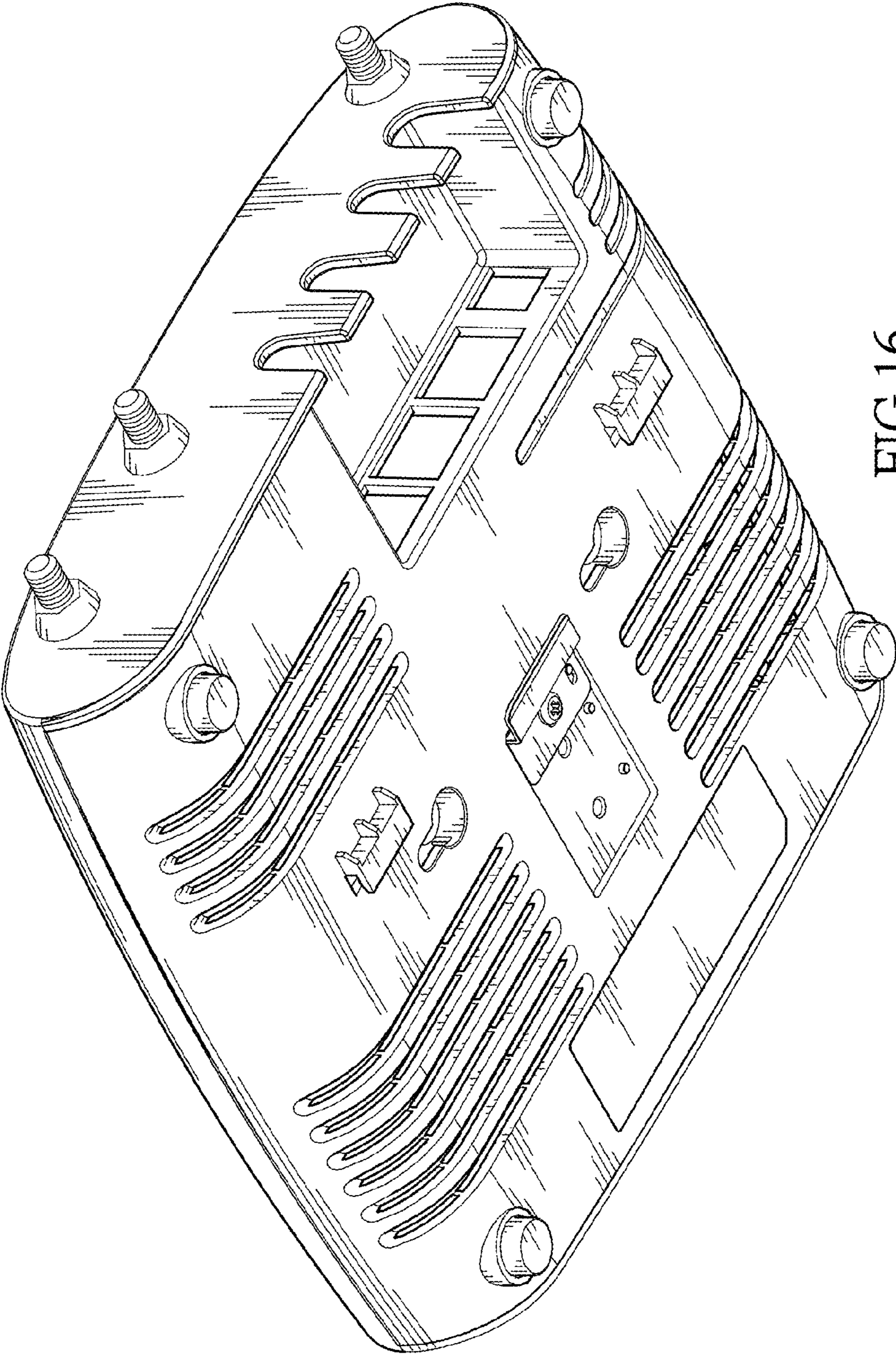


FIG.16