



US00D759637S

(12) **United States Design Patent**  
**Maxam et al.**

(10) **Patent No.:** **US D759,637 S**  
(45) **Date of Patent:** **\*\* \*Jun. 21, 2016**

(54) **SMALL FORM FACTOR (SFF) ROUTER**

(71) Applicant: **TeleCommunication Systems, Inc.**,  
Annapolis, MD (US)

(72) Inventors: **Ryan Maxam**, Land O Lakes, FL (US);  
**Nicholas Kamensky**, Saint Petersburg,  
FL (US); **Michael Joyce**, Tampa, FL  
(US); **Jeff West**, Brandon, FL (US);  
**Matthew Vincent**, Riverview, FL (US);  
**Douglass Casto**, Brandon, FL (US)

(73) Assignee: **Telecommunication Systems, Inc.**,  
Annapolis, MD (US)

(\*) Notice: This patent is subject to a terminal dis-  
claimer.

(\*\*) Term: **14 Years**

(21) Appl. No.: **29/473,013**

(22) Filed: **Nov. 18, 2013**

(51) **LOC (10) Cl.** ..... **14-03**

(52) **U.S. Cl.**  
USPC ..... **D14/240; D14/358**

(58) **Field of Classification Search**  
USPC ..... D14/240, 242, 308, 358, 357, 356, 435,  
D14/348, 256, 496, 125; D13/108, 110,  
D13/133, 139.8, 147, 151, 152, 164, 184;  
379/440; 439/74; 174/60; 320/140;  
361/730; 455/90.3, 404.1, 575.1  
CPC ..... H05K 5/00  
See application file for complete search history.

(56) **References Cited**

**U.S. PATENT DOCUMENTS**

3,157,448 A \* 11/1964 Crimmins et al. .... 439/295  
D250,347 S \* 11/1978 Leach ..... D23/343  
D269,345 S \* 6/1983 Payne et al. .... D14/242

4,652,969 A \* 3/1987 Stegenga ..... 361/694  
D303,252 S \* 9/1989 Shih ..... D14/242  
D309,731 S \* 8/1990 Takai ..... D14/242  
D312,627 S \* 12/1990 Gutzmer ..... D14/242  
D314,747 S \* 2/1991 Centola et al. .... D13/133  
D327,071 S \* 6/1992 Derbyshire ..... D14/256  
D331,394 S \* 12/1992 Kobayashi et al. .... D14/242  
D346,607 S \* 5/1994 Bhargava et al. .... D14/242  
D350,347 S \* 9/1994 Tracy et al. .... D14/137  
D372,248 S \* 7/1996 Tahmassebpur ..... D14/242  
D387,031 S \* 12/1997 Tracewell et al. .... D13/110  
D419,139 S \* 1/2000 Kohara ..... D14/308  
D420,348 S \* 2/2000 Chang ..... D14/125  
D439,243 S \* 3/2001 Miyazaki ..... D14/240  
D463,416 S \* 9/2002 Tomino et al. .... D14/240  
D472,193 S \* 3/2003 Sinkwitz ..... D12/196

(Continued)

*Primary Examiner* — Paula Greene

(74) *Attorney, Agent, or Firm* — Tarolli, Sundheim, Covell  
& Tummino LLP

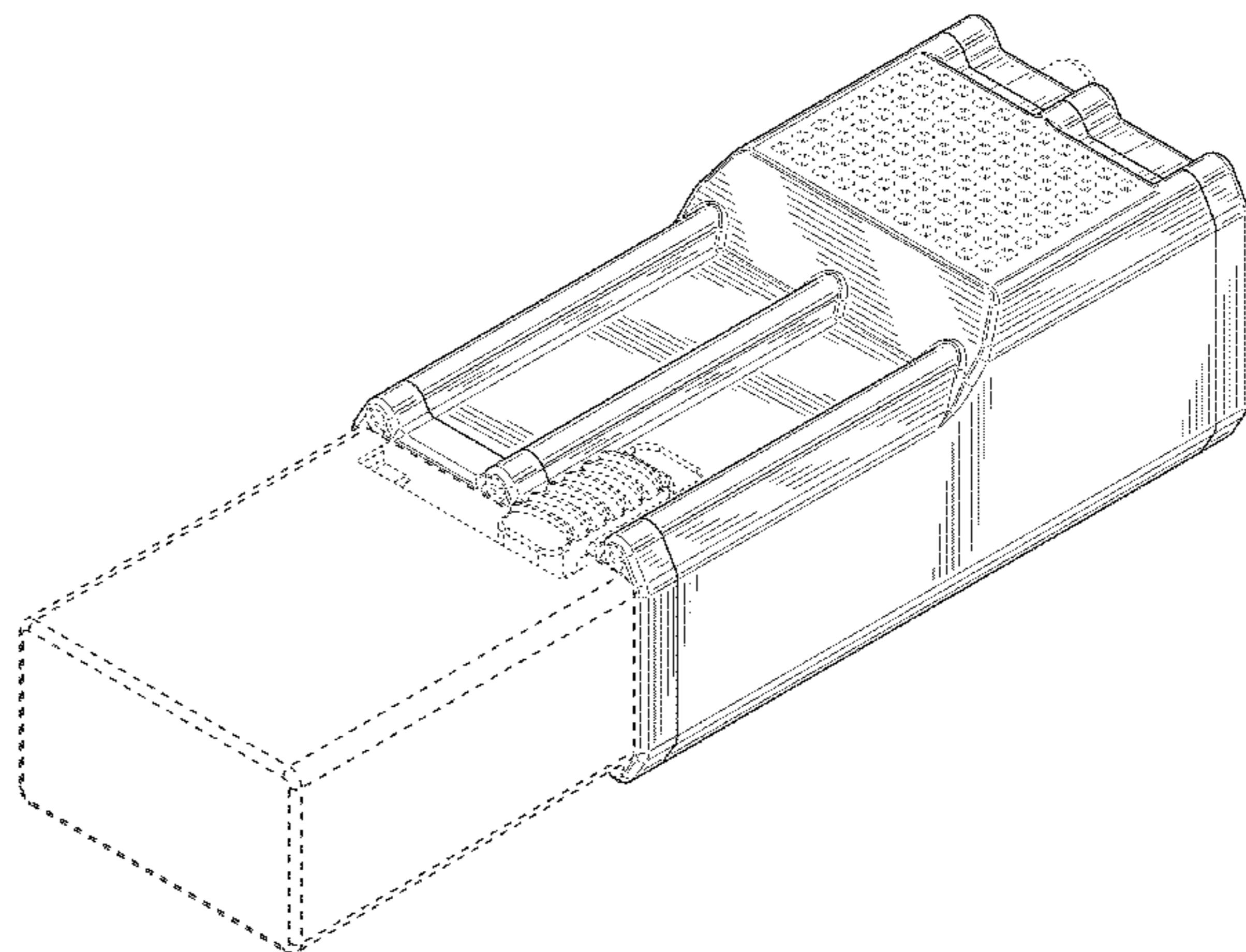
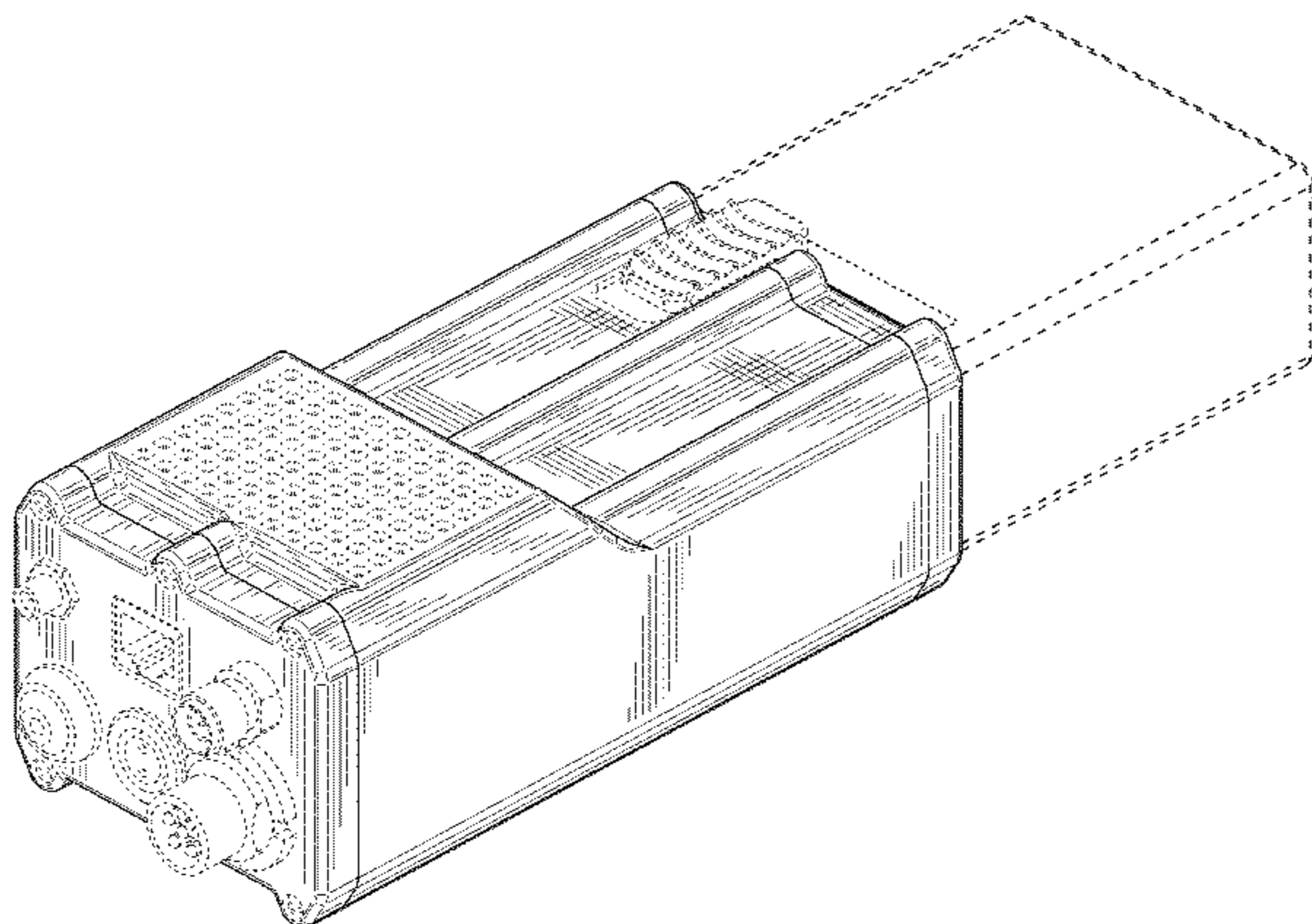
(57) **CLAIM**

The ornamental design for a small form factor (SFF) router, as  
shown and described.

**DESCRIPTION**

FIG. 1 is a first orthogonal view of the small form factor (SFF)  
router;  
FIG. 2 is a second orthogonal view of the small form factor  
(SFF) router;  
FIG. 3 is a front view of the small form factor (SFF) router;  
FIG. 4 is a first side view of the small form factor (SFF) router;  
FIG. 5 is a back view of the small form factor (SFF) router;  
FIG. 6 is a second side view of the small form factor (SFF)  
router;  
FIG. 7 is a top view of the small form factor (SFF) router; and,  
FIG. 8 is a bottom view of the small form factor (SFF) router.  
The broken lines form no part of the claimed design.

**1 Claim, 5 Drawing Sheets**



(56)

**References Cited**

U.S. PATENT DOCUMENTS

D528,989 S *	9/2006	Dao .....	D13/162	D635,929 S *	4/2011	Kawakami et al. ....	D13/147
7,215,554 B2 *	5/2007	Torres et al. ....	361/747	D649,971 S *	12/2011	Lyford et al. ....	D14/433
D571,372 S *	6/2008	Brefka et al. ....	D14/433	8,541,985 B1 *	9/2013	Wong .....	320/140
D585,367 S *	1/2009	Dunbar et al. ....	D13/108	D693,798 S *	11/2013	Chuang et al. ....	D14/240
D589,044 S *	3/2009	Yoshida et al. ....	D14/358	D705,719 S *	5/2014	Wong .....	D13/103
				D709,507 S *	7/2014	McParland et al. ....	D14/435
				D735,701 S *	8/2015	Maxam .....	D14/240
				2011/0159469 A1 *	6/2011	Hwang et al. ....	434/247

\* cited by examiner

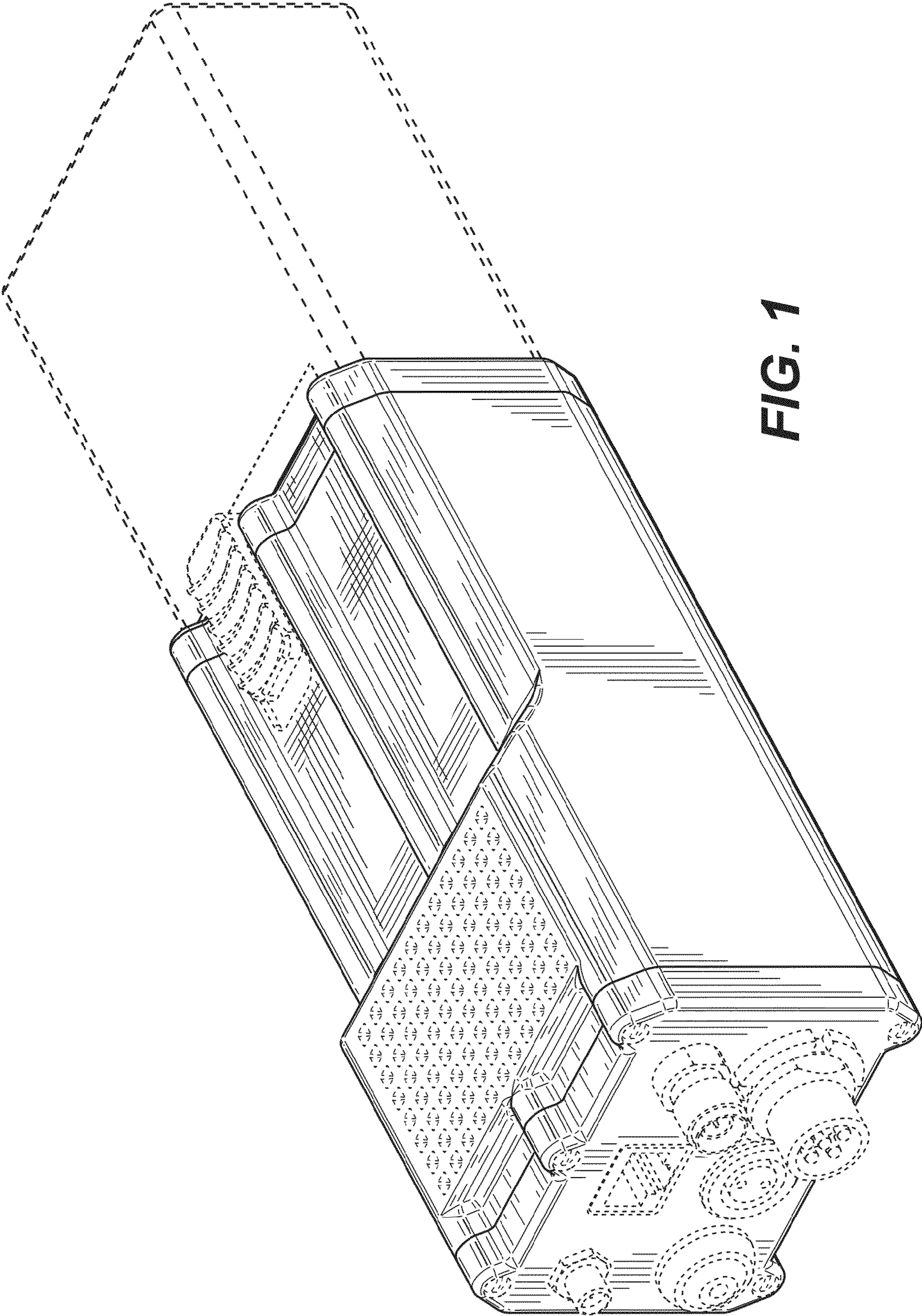


FIG. 1

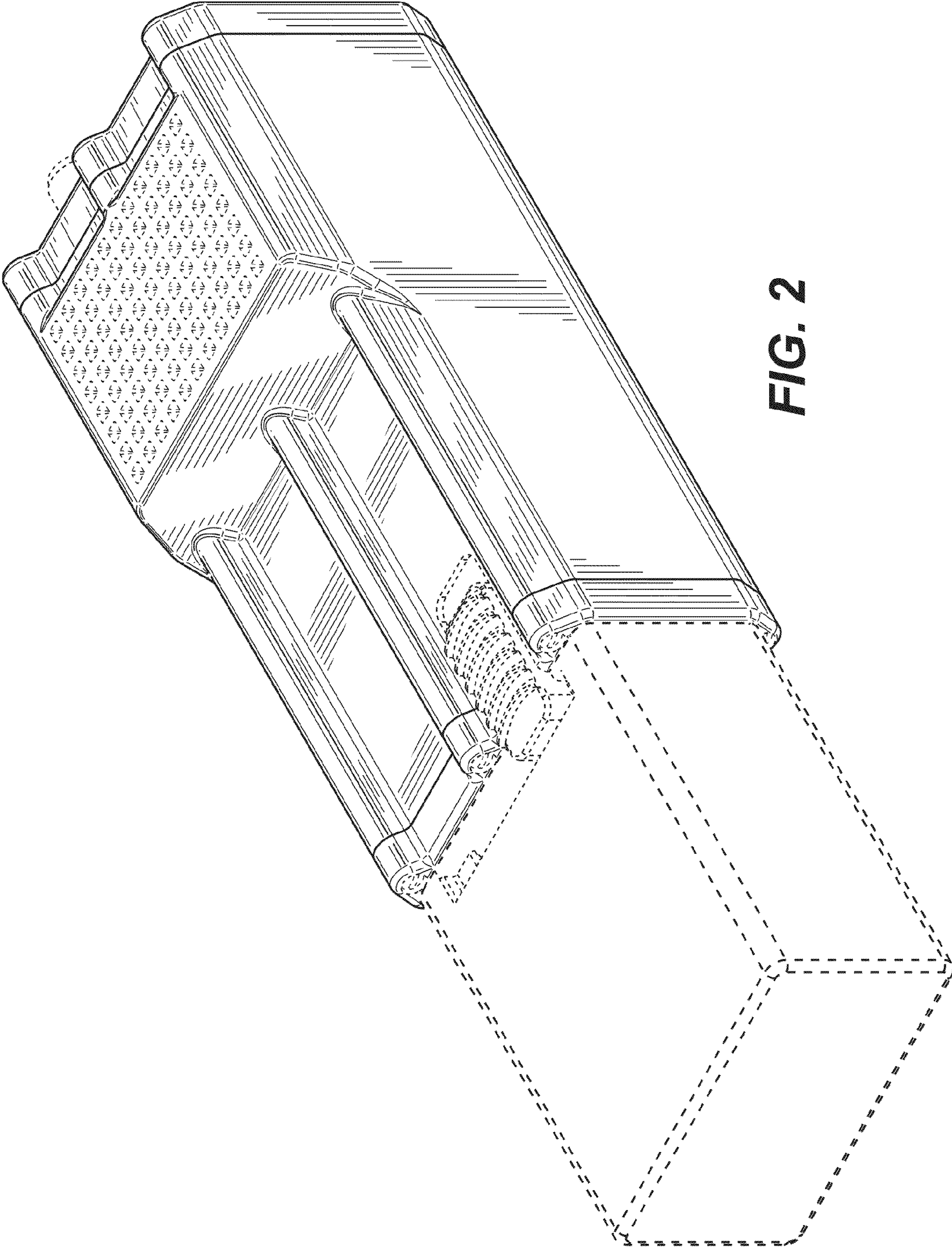
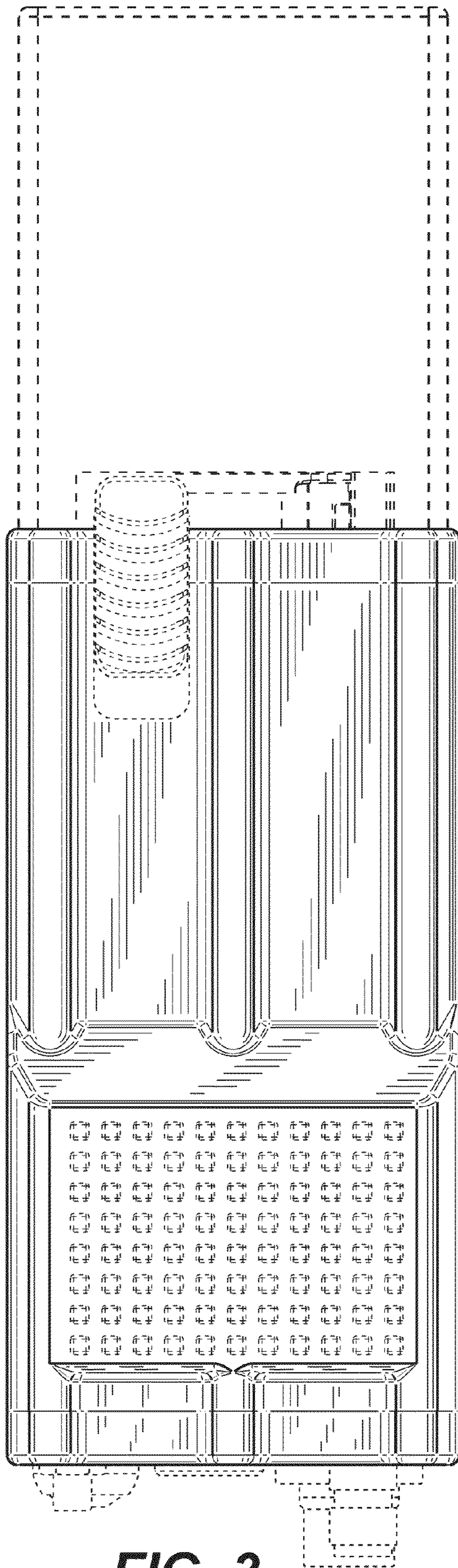
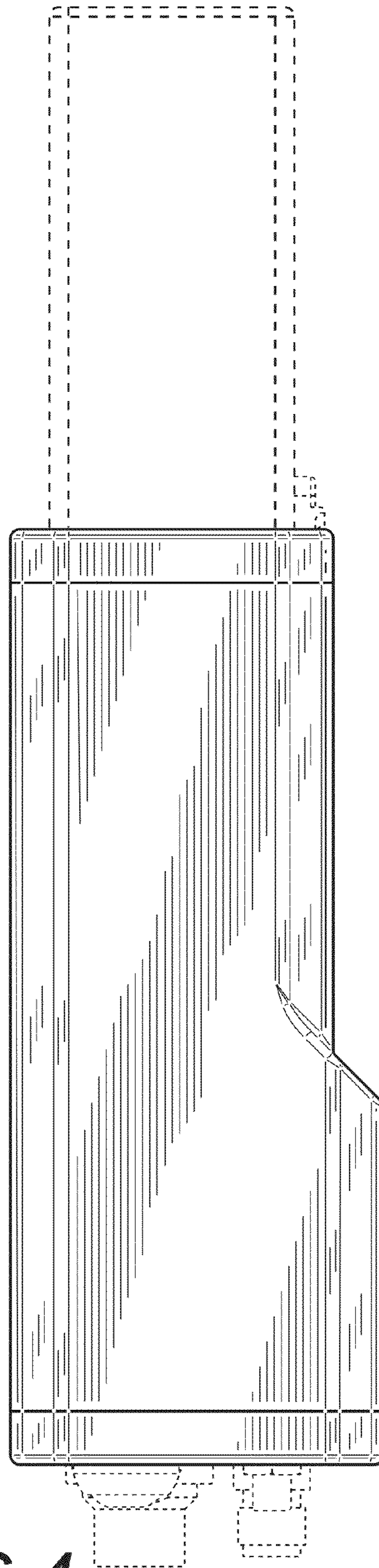


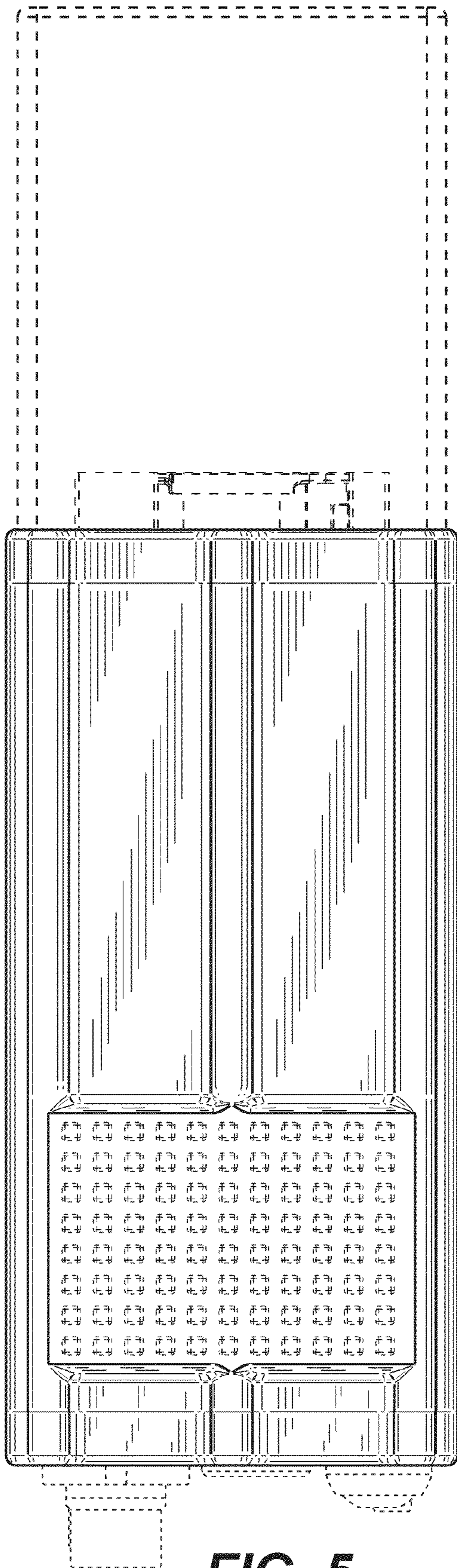
FIG. 2



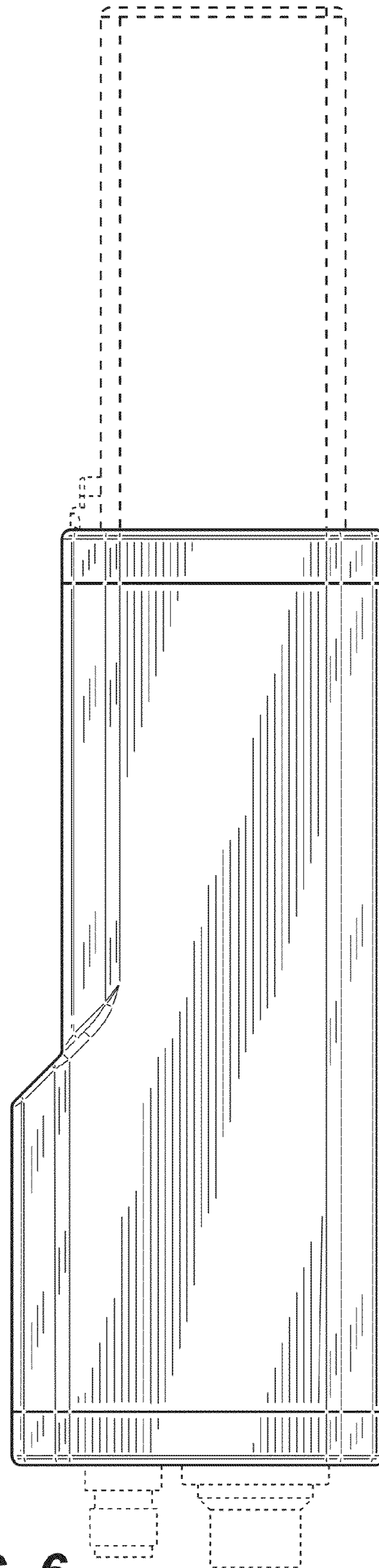
**FIG. 3**



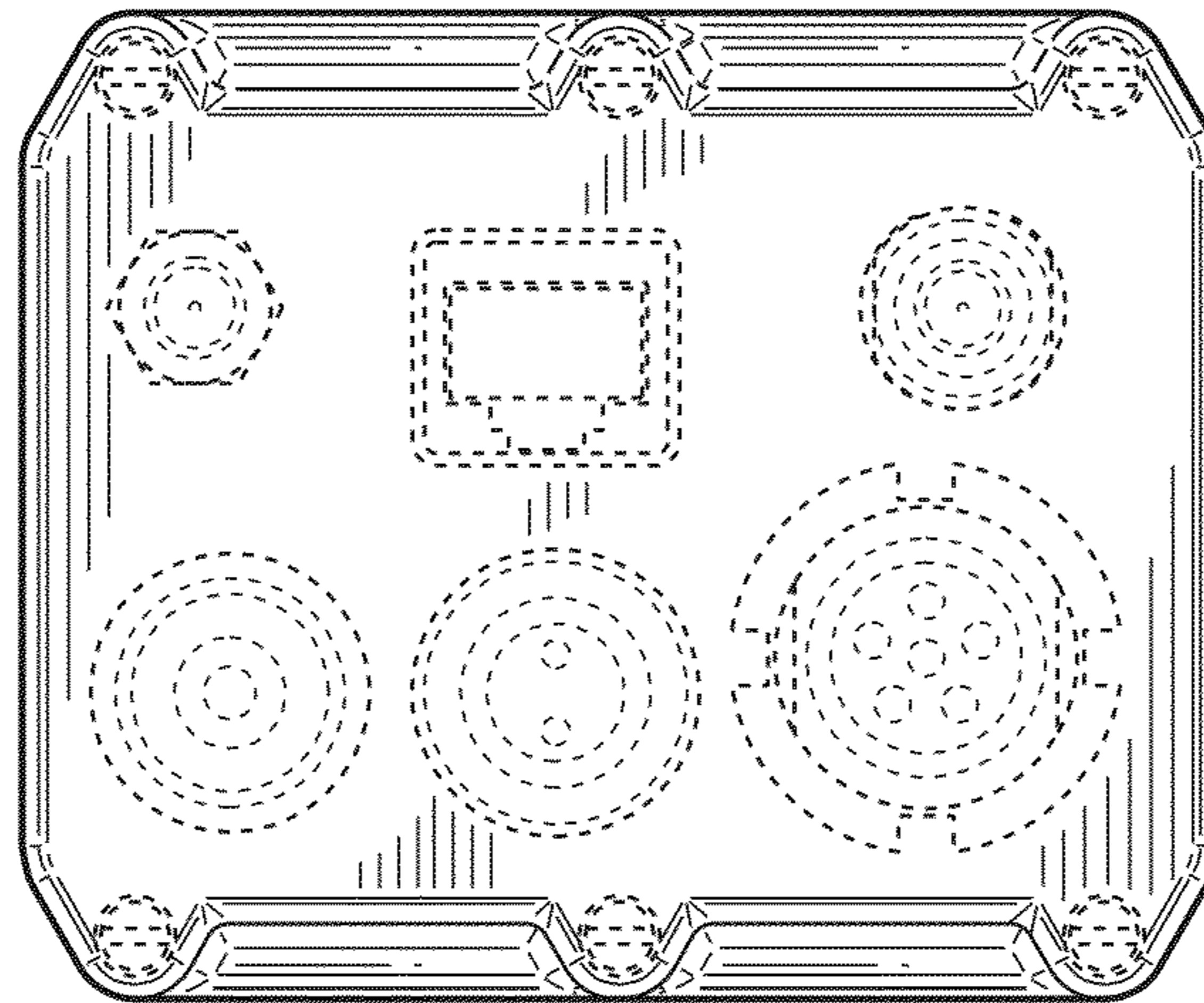
**FIG. 4**



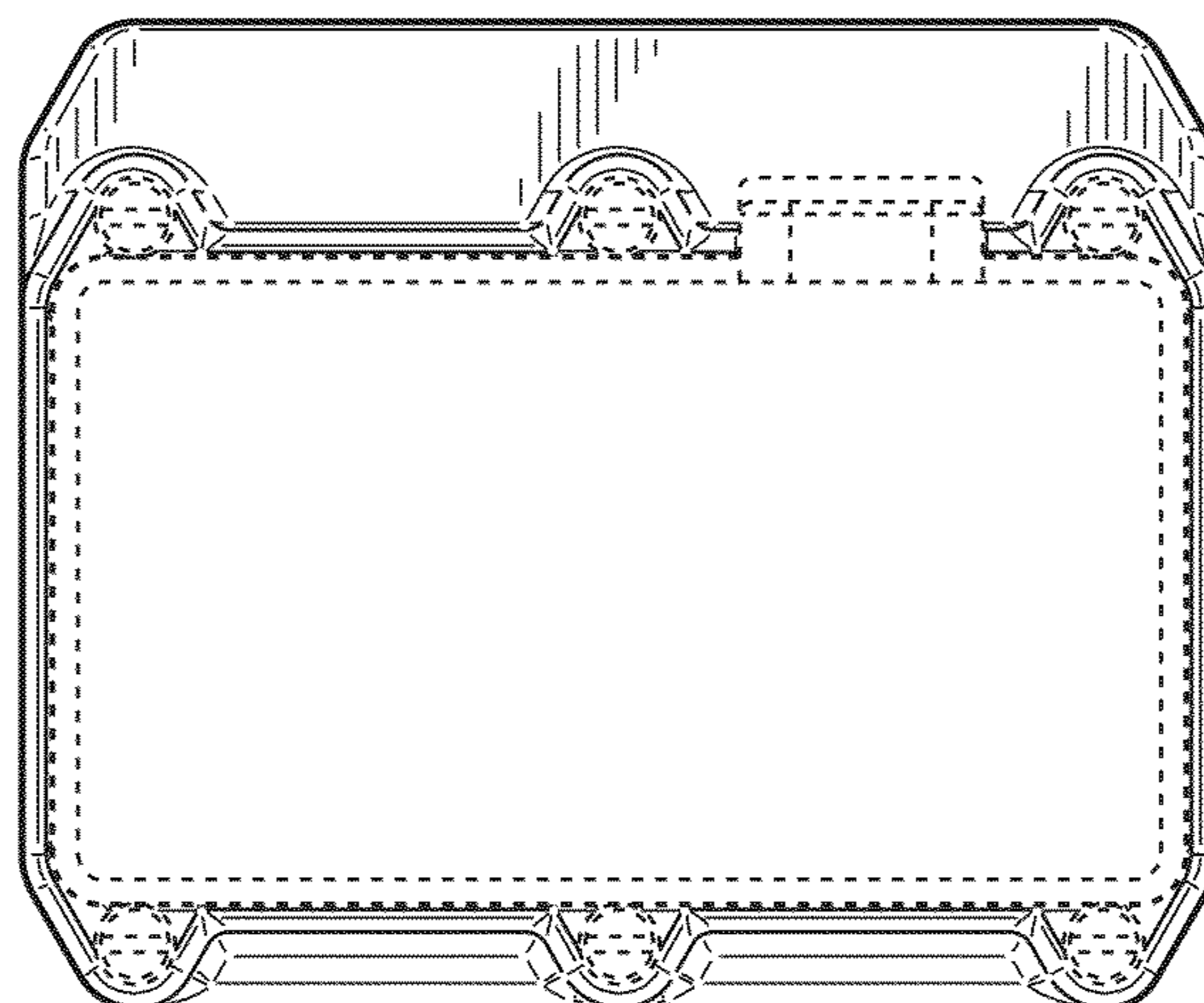
**FIG. 5**



**FIG. 6**



**FIG. 7**



**FIG. 8**