



US00D759636S

(12) **United States Design Patent**
Lee et al.

(10) **Patent No.:** **US D759,636 S**
(45) **Date of Patent:** **** Jun. 21, 2016**

(54) **STAND FOR TELEVISION**

(71) Applicant: **SAMSUNG ELECTRONICS CO., LTD.**, Suwon-si, Gyeonggi-do (KR)
(72) Inventors: **SangYoung Lee**, Gwangmyeong-si (KR); **Jin Su Park**, Seoul (KR); **Han Sol Kwon**, Gwangmyeong-si (KR)
(73) Assignee: **SAMSUNG ELECTRONICS CO., LTD.**, Suwon-Si, Gyeonggi-Do (KR)

(**) Term: **14 Years**

(21) Appl. No.: **29/516,110**

(22) Filed: **Jan. 29, 2015**

(30) **Foreign Application Priority Data**

Jul. 30, 2014 (KR) 30-2014-0037557

(51) **LOC (10) Cl.** **14-03**

(52) **U.S. Cl.**
USPC **D14/239**

(58) **Field of Classification Search**
USPC D14/125-134, 239, 371, 136, 374-377, D14/440, 450, 448, 336, 342, 159; 312/7.2; 348/836, 838, 180, 184, 325, 739; 248/917-924, 465; 345/104, 133, 156, 345/168, 87, 173; D21/329, 515, 577, 622, D21/333, 433, 448, 452, 450, 331, 505; D10/15, 26; 446/484, 175, 356; D6/477, 479, 300; D24/185; D34/14
CPC ... G06F 1/1601; G06F 1/1643; H05K 5/0004; H05K 5/0017; H05K 5/02; H05K 5/0217
See application file for complete search history.

(56) **References Cited**

U.S. PATENT DOCUMENTS

D684,981 S *	6/2013	Chang	D14/451
D699,205 S *	2/2014	Kim	D14/126
D709,470 S *	7/2014	Ryu	D14/126
D716,776 S *	11/2014	Yoon	D14/239
D718,751 S *	12/2014	Ann	D14/239

* cited by examiner

Primary Examiner — Randall Gholson

(74) *Attorney, Agent, or Firm* — Ladas & Parry LLP

(57) **CLAIM**

The ornamental design for stand for television, as shown and described.

DESCRIPTION

FIG. 1 is the front perspective view of stand for television showing our new design;
FIG. 2 is the front view thereof;
FIG. 3 is the rear view thereof;
FIG. 4 is the left-side view thereof;
FIG. 5 is the right-side view thereof;
FIG. 6 is the top-side plan view thereof;
FIG. 7 is the bottom-side plan view thereof;
FIG. 8 is the rear perspective view thereof;
FIG. 9 is the rear perspective view thereof showing an enlarged portion; and,
FIG. 10 is a use state view of the stand for television.
The broken lines in the drawings show unclaimed environment only and form no part of the claimed design.

1 Claim, 10 Drawing Sheets

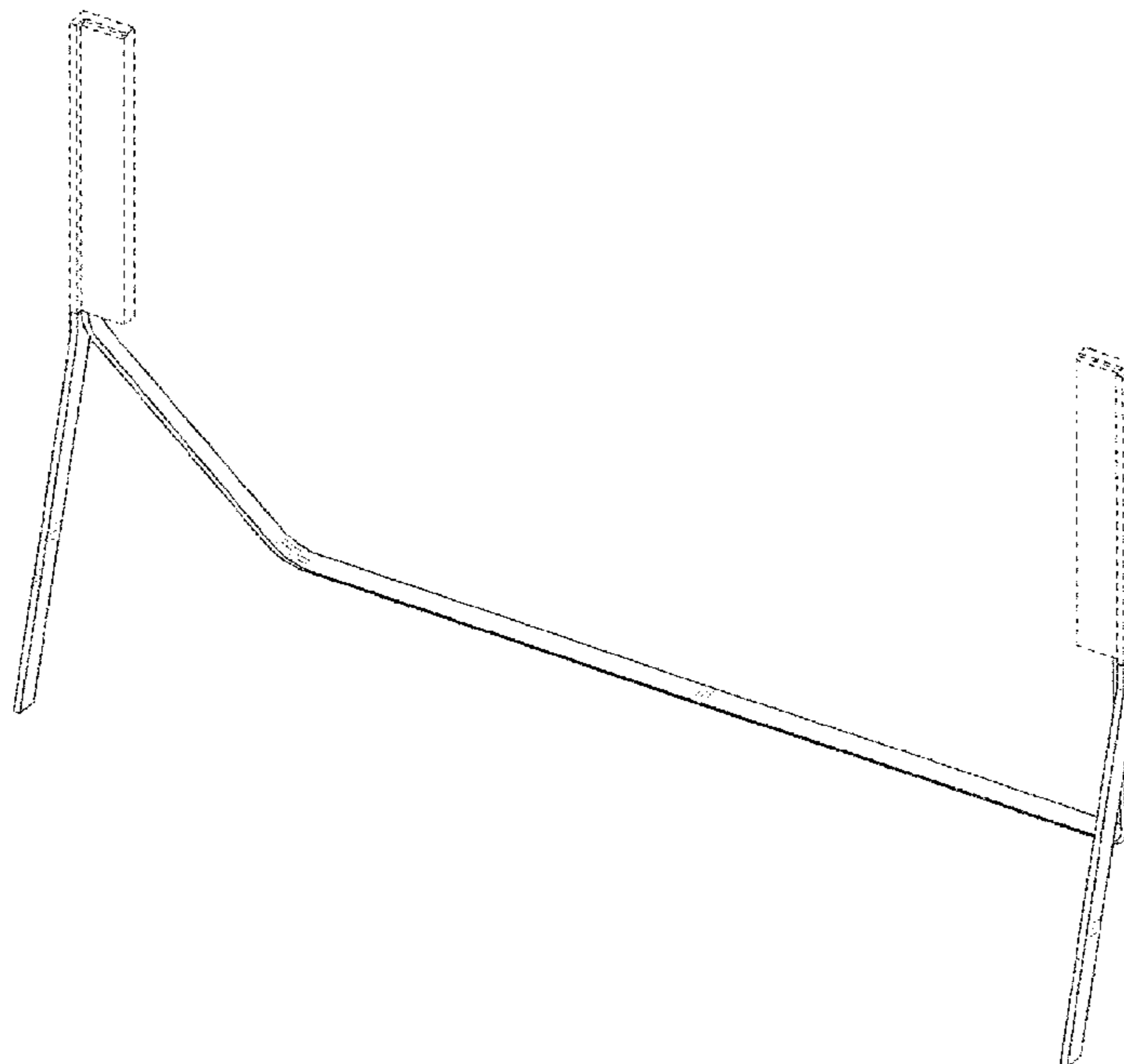


FIG. 1

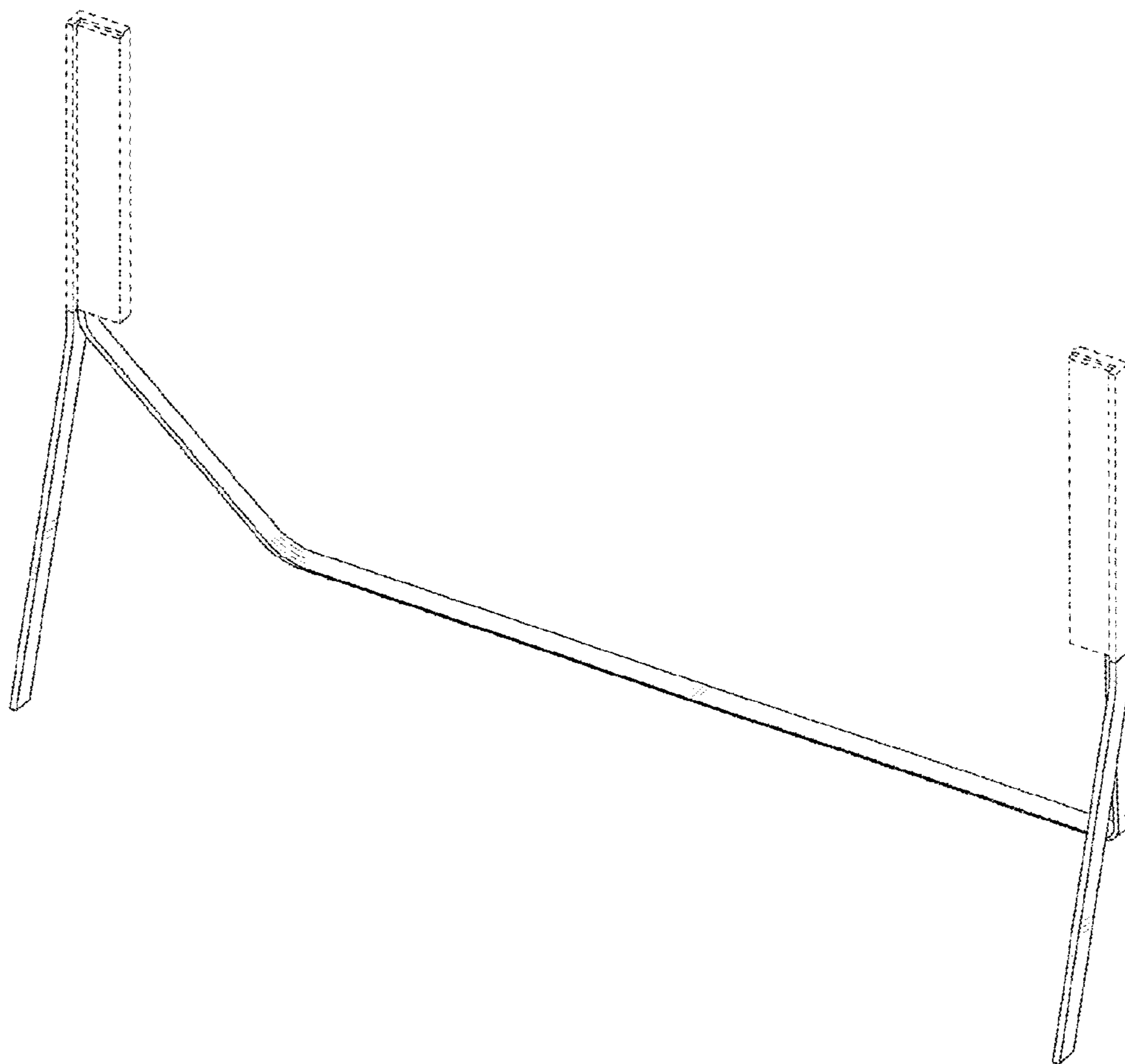


FIG. 2



FIG. 3

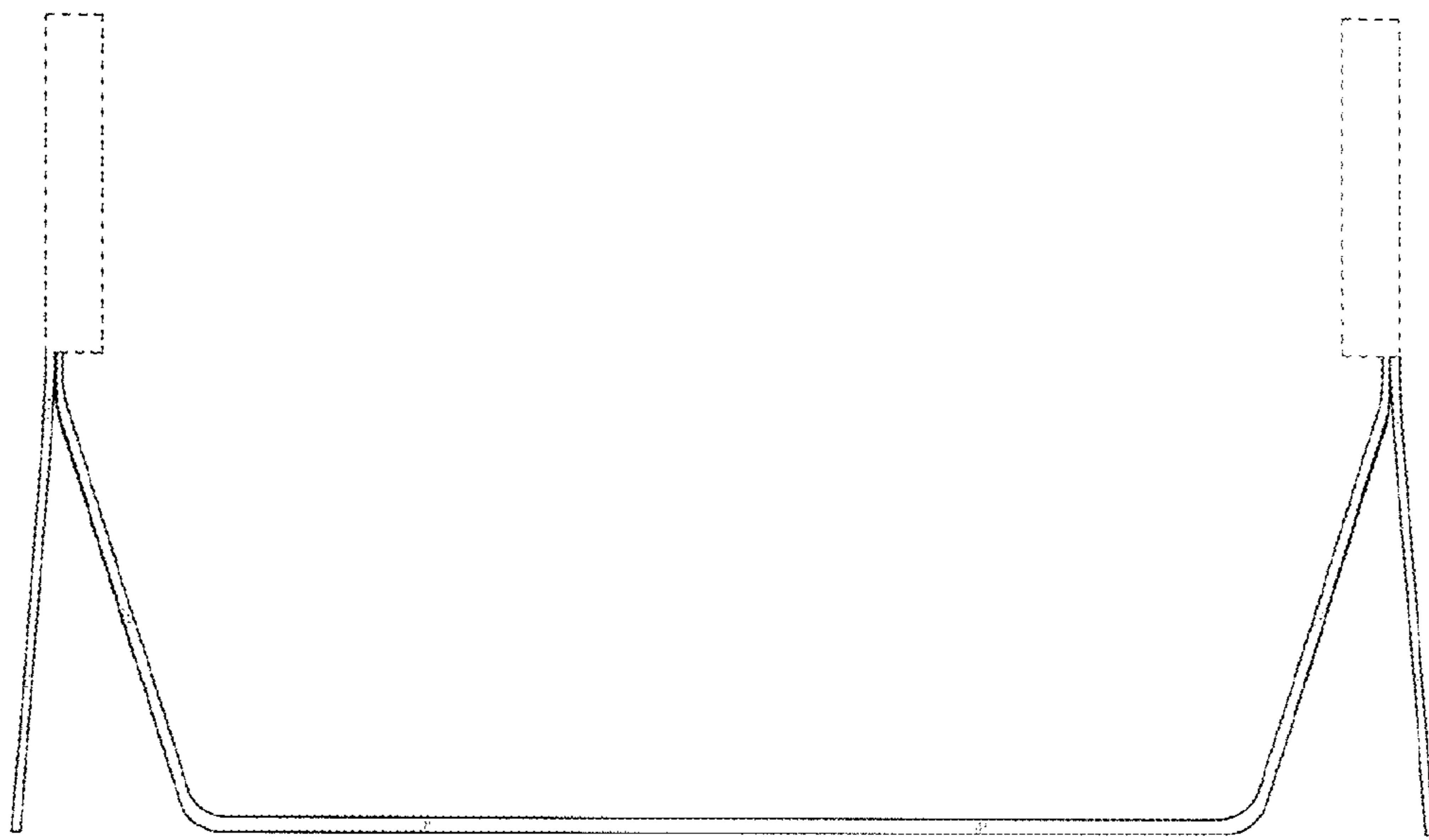


FIG. 4

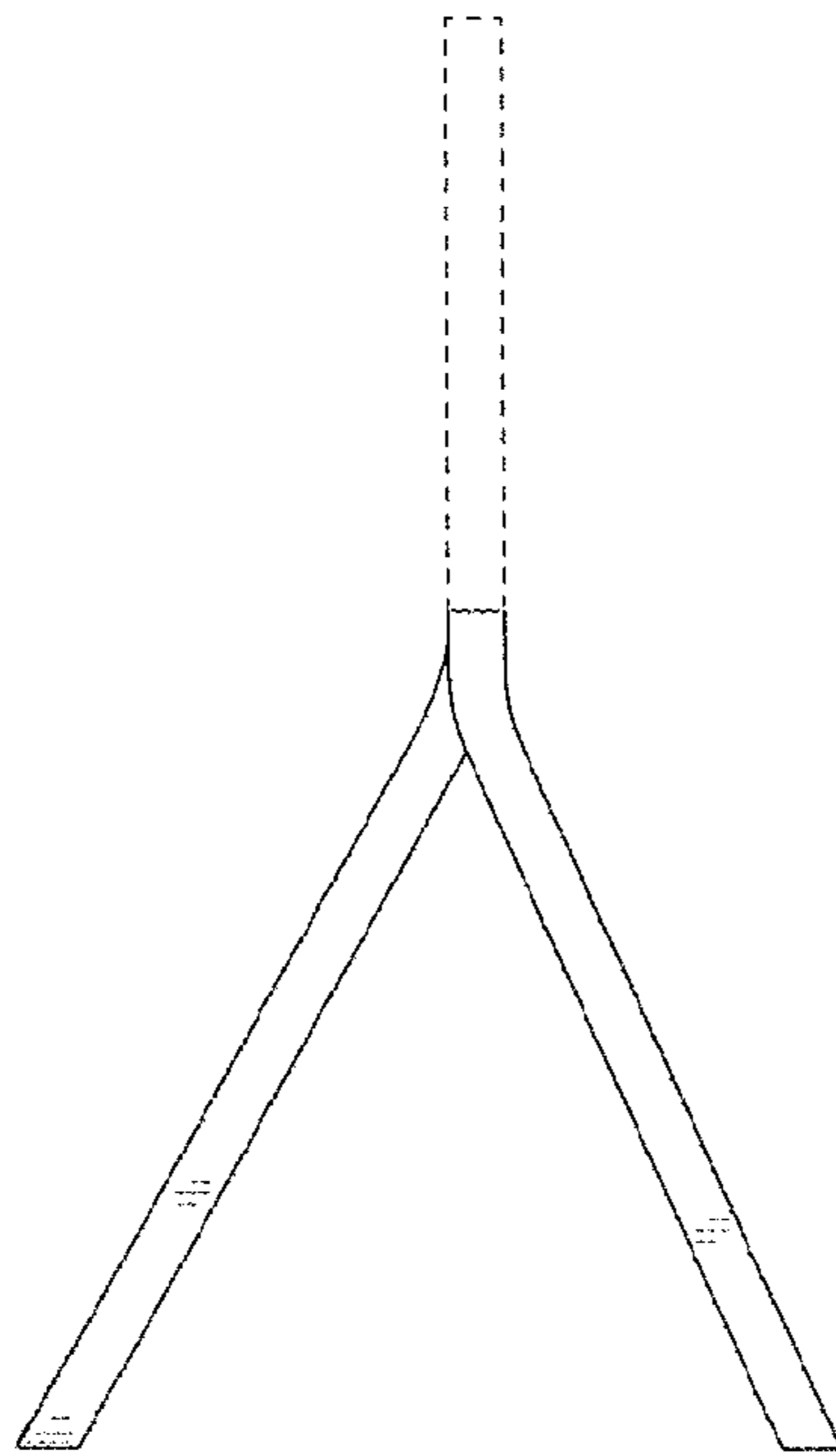


FIG. 5

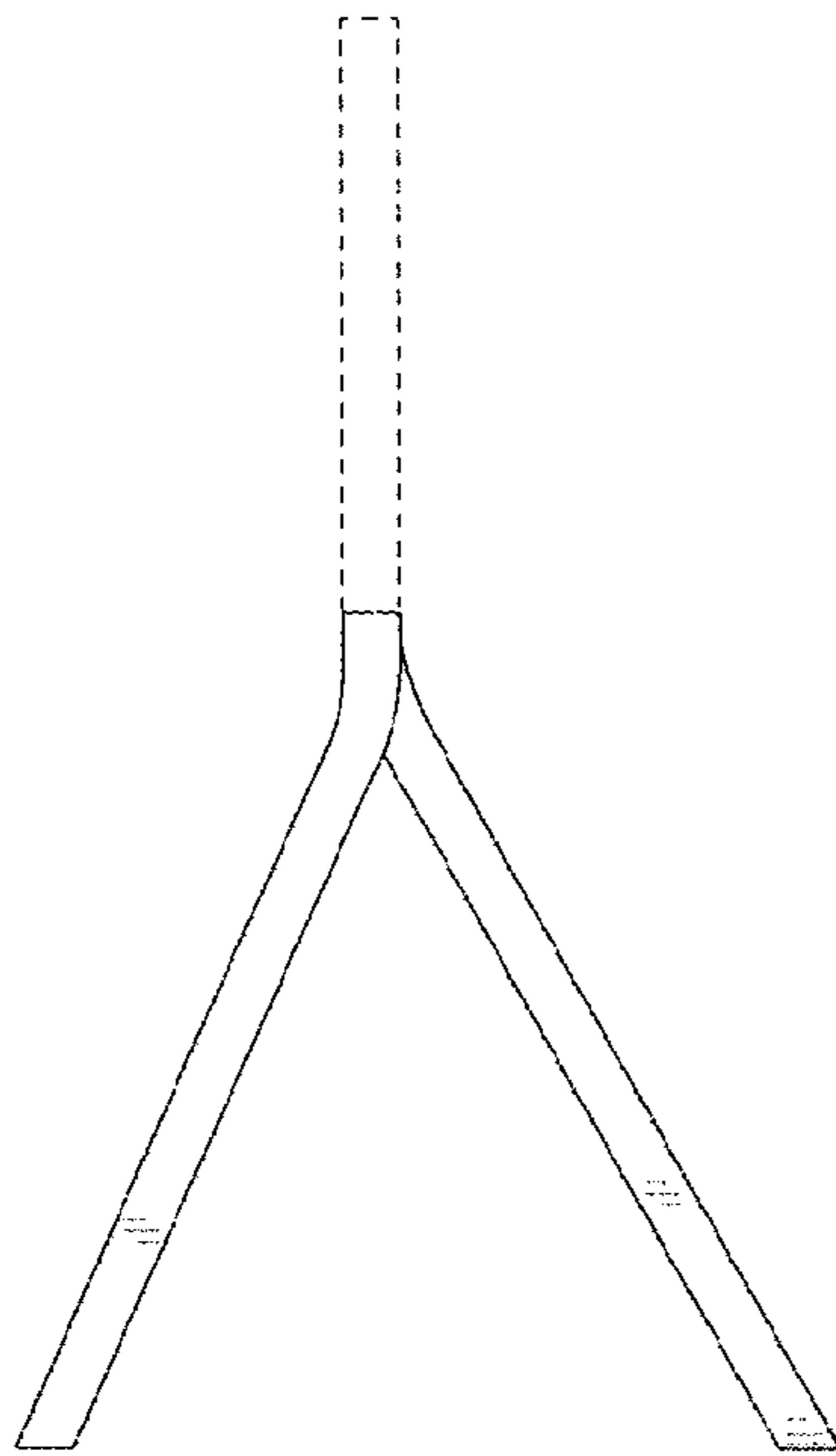


FIG. 6

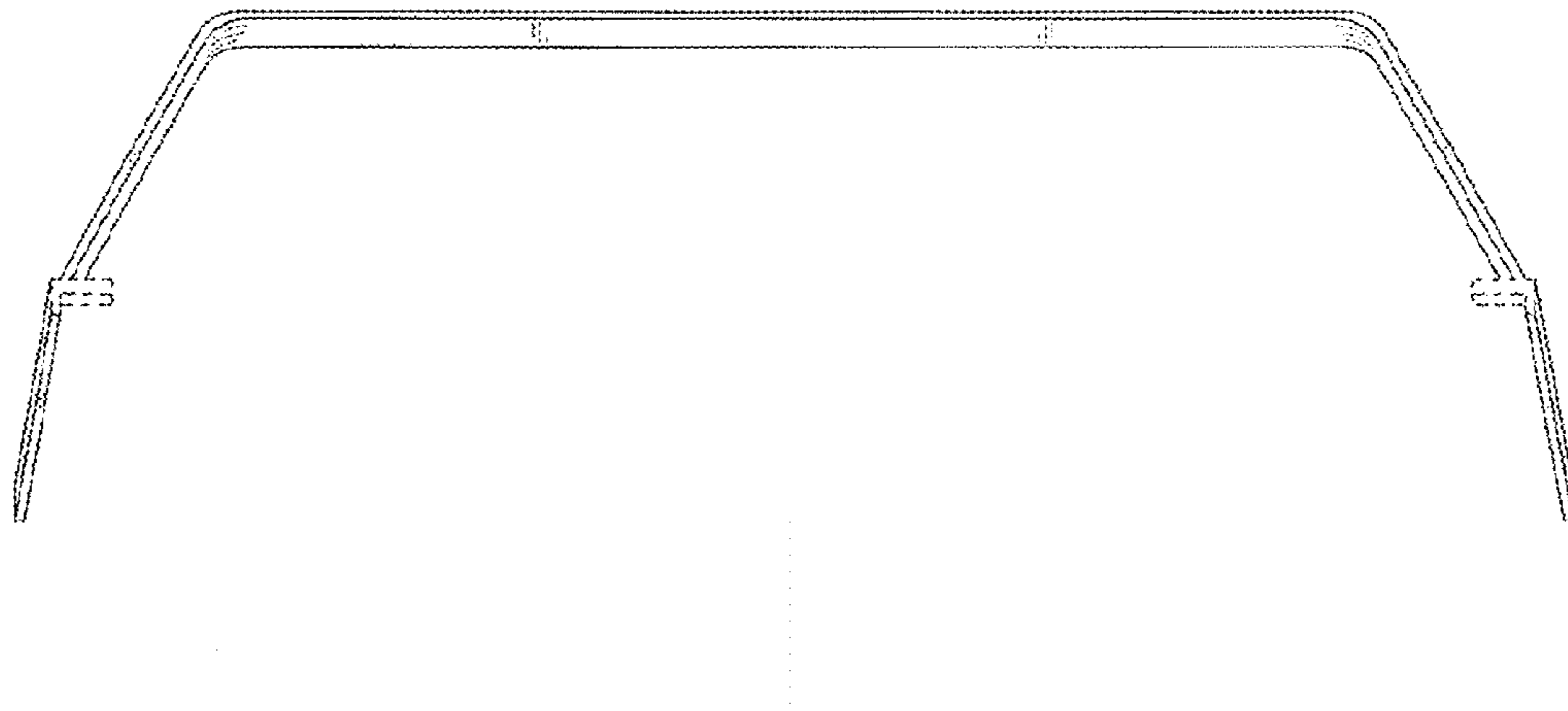


FIG. 7

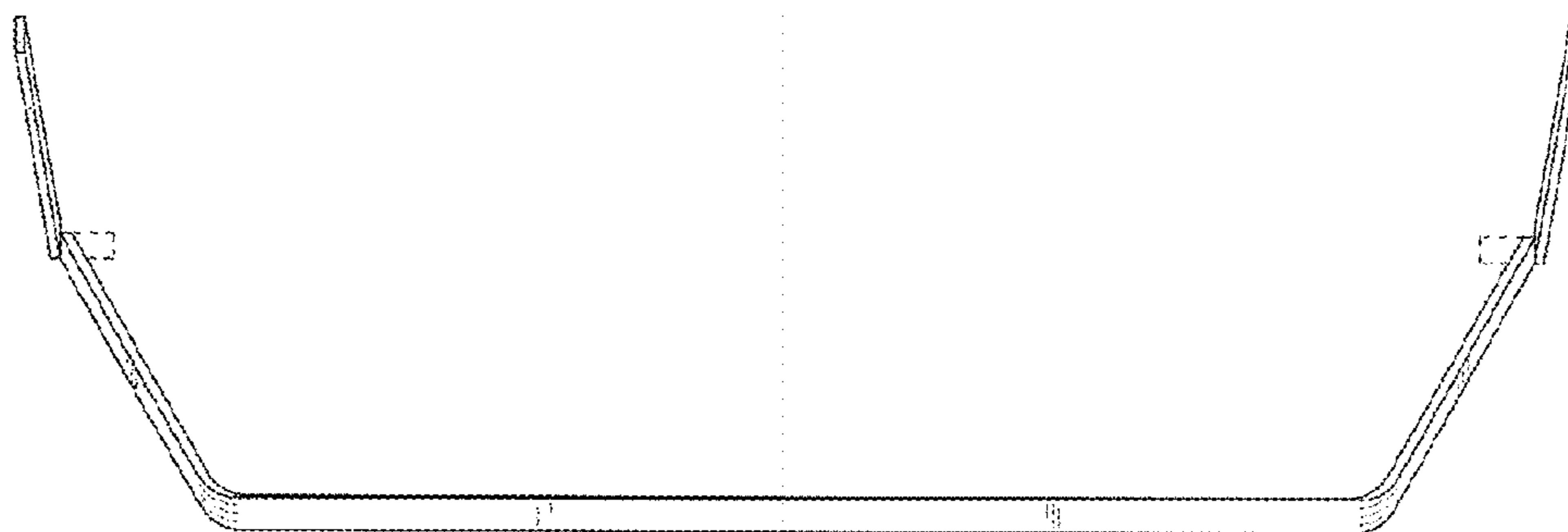


FIG. 8

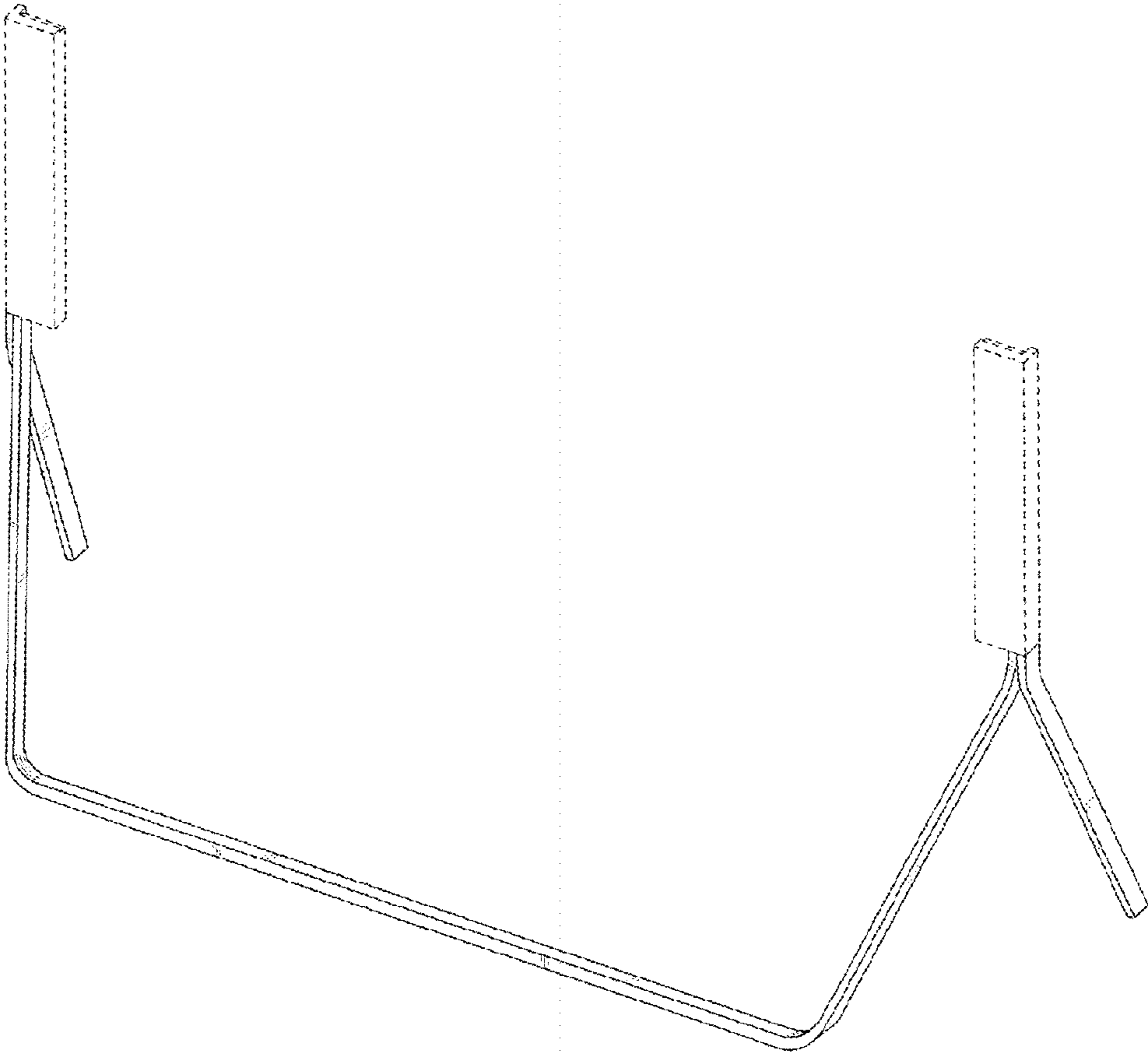


FIG. 9

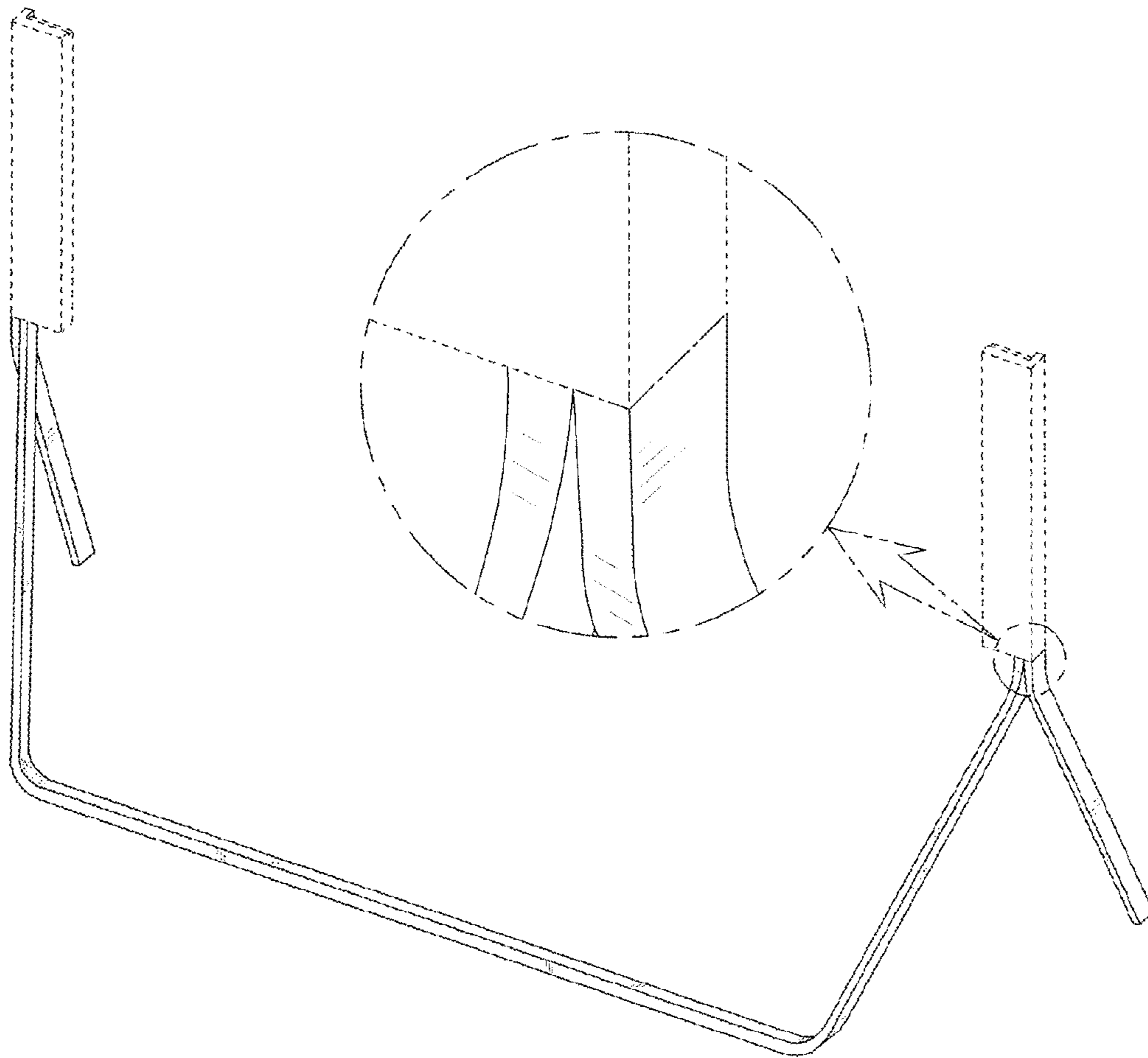


FIG. 10

