

US00D759633S

(12) **United States Design Patent**  
**Gondo**

(10) **Patent No.:** **US D759,633 S**  
(45) **Date of Patent:** **\*\* Jun. 21, 2016**

(54) **EARPHONE**

(71) Applicant: **JVC KENWOOD Corporation**,  
Yokohama-shi, Kanagawa (JP)

(72) Inventor: **Makoto Gondo**, Yokohama (JP)

(73) Assignee: **JVC KENWOOD Corporation**,  
Yokohama-Shi (JP)

(\*\*) Term: **14 Years**

(21) Appl. No.: **29/521,309**

(22) Filed: **Mar. 23, 2015**

(30) **Foreign Application Priority Data**

Dec. 25, 2014 (JP) ..... 2014-029106

(51) **LOC (10) Cl.** ..... **14-01**

(52) **U.S. Cl.**  
USPC ..... **D14/223**

(58) **Field of Classification Search**  
USPC ..... D14/223, 205, 206; D24/174; 181/129,  
181/130, 135; 379/430, 431; 381/380, 381,  
381/370, 371, 374-379; 455/90.3, 575.1  
CPC ..... H04R 1/10; H04R 1/1016; H04R 25/00  
See application file for complete search history.

(56) **References Cited**

**U.S. PATENT DOCUMENTS**

- 2,481,387 A \* 9/1949 Bonecutter ..... H04M 1/05  
379/446
- 2,606,255 A \* 8/1952 Tullis ..... H04M 1/05  
379/446
- D388,093 S \* 12/1997 Frengley ..... D14/223
- 5,712,453 A \* 1/1998 Bungardt ..... H04R 1/1066  
181/135
- D419,564 S \* 1/2000 McDonald ..... D14/223
- D443,261 S \* 6/2001 Yuyama ..... D14/223
- 6,418,230 B1 \* 7/2002 McDonald ..... H04R 1/10  
379/426
- D469,755 S \* 2/2003 Hlas ..... D14/223
- D470,122 S \* 2/2003 Hlas ..... D14/205
- D470,123 S \* 2/2003 Hlas ..... D14/205

- D470,128 S \* 2/2003 Hlas ..... D14/205
- D471,536 S \* 3/2003 Rath ..... D14/206
- D471,537 S \* 3/2003 Ham ..... D14/223
- D494,568 S \* 8/2004 Pan ..... D14/206
- 6,772,853 B2 \* 8/2004 Yang ..... H04R 1/1066  
181/129
- 6,914,997 B2 \* 7/2005 MacDonald ..... H04R 1/10  
379/426
- D508,911 S \* 8/2005 Sanders ..... D14/223
- 7,050,598 B1 \* 5/2006 Ham ..... H04R 1/1058  
381/330
- 7,346,180 B2 \* 3/2008 Ham ..... H04R 1/105  
381/370
- D566,104 S \* 4/2008 Suzuki ..... D14/223
- D573,137 S \* 7/2008 Polito ..... D14/223
- D575,278 S \* 8/2008 Guccione ..... D14/223
- D585,429 S \* 1/2009 Dean ..... D14/223
- D618,219 S \* 6/2010 Burgett ..... D14/223
- D621,817 S \* 8/2010 Brickstad ..... D14/223
- D628,990 S \* 12/2010 Pedersen ..... D14/223
- 7,949,127 B2 \* 5/2011 Pedersen ..... H04R 1/1066  
379/430
- D641,008 S \* 7/2011 Lee ..... D14/223
- D644,212 S \* 8/2011 Quek ..... D14/223

(Continued)

*Primary Examiner* — Paula Greene

(74) *Attorney, Agent, or Firm* — Nath, Goldberg & Meyer;  
Jerald L. Meyer

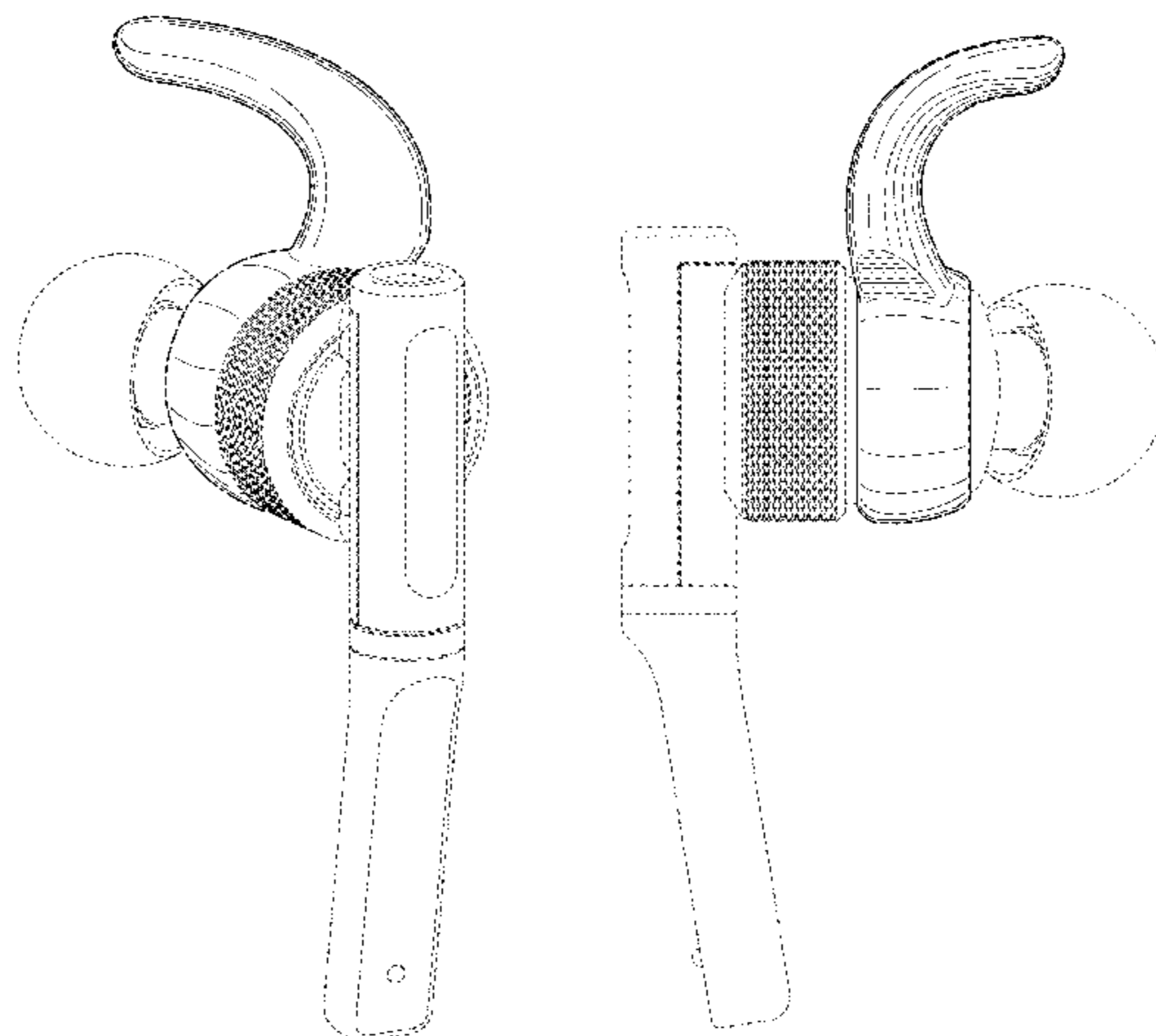
(57) **CLAIM**

The ornamental design for an earphone, as shown and described.

**DESCRIPTION**

FIG. 1 is a front perspective view of an earphone showing my new design;  
 FIG. 2 is a front view thereof;  
 FIG. 3 is a rear view thereof;  
 FIG. 4 is a top plan view thereof;  
 FIG. 5 is a bottom plan view thereof;  
 FIG. 6 is a right side view thereof; and,  
 FIG. 7 is a left side view thereof.  
 The portions of the drawings shown in broken lines are for illustrative purposes only and form no part of the claimed design.

**1 Claim, 7 Drawing Sheets**



(56)

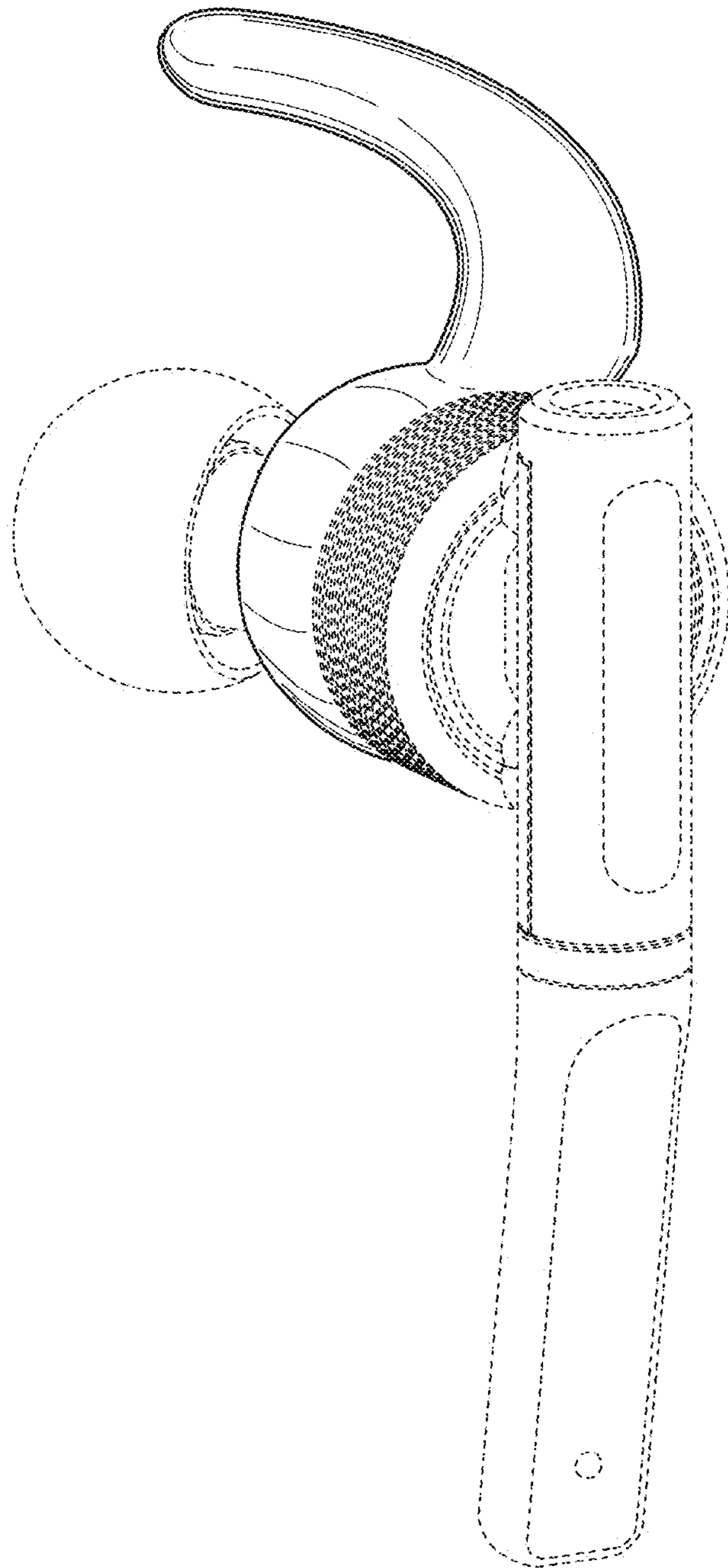
References Cited

U.S. PATENT DOCUMENTS

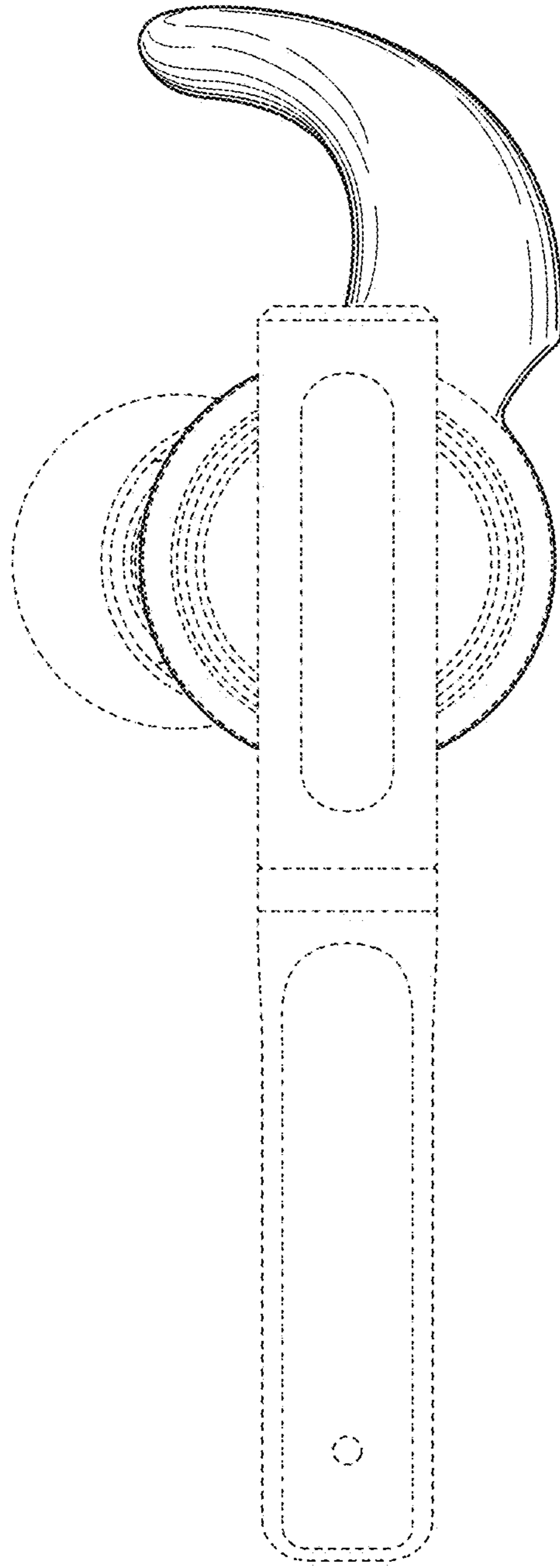
D644,213 S *	8/2011	Quek	.....	D14/223	D715,253 S *	10/2014	Lee	.....	D14/205
D645,458 S *	9/2011	Silvestri	.....	D14/223	D716,770 S *	11/2014	Bonahoom	.....	D14/223
D647,514 S *	10/2011	Wikel	.....	D14/223	8,897,480 B2 *	11/2014	Tan	.....	H04R 1/105 381/370
D655,693 S *	3/2012	Silvestri	.....	D14/223	D742,362 S *	11/2015	Bonahoom	.....	D14/205
D664,124 S *	7/2012	Smith	.....	D14/223	D744,456 S *	12/2015	Pedersen	.....	D14/223
D681,602 S *	5/2013	Koch	.....	D14/205	2003/0174853 A1 *	9/2003	Howes	.....	H04R 1/083 381/370
D689,848 S *	9/2013	Lee	.....	D14/223	2011/0211723 A1 *	9/2011	Annunziato	.....	H04R 1/2842 381/380
D694,220 S *	11/2013	Lee	.....	D14/223	2011/0255729 A1 *	10/2011	Tan	.....	H04R 1/105 381/380
D699,215 S *	2/2014	Koch	.....	D14/205					

\* cited by examiner

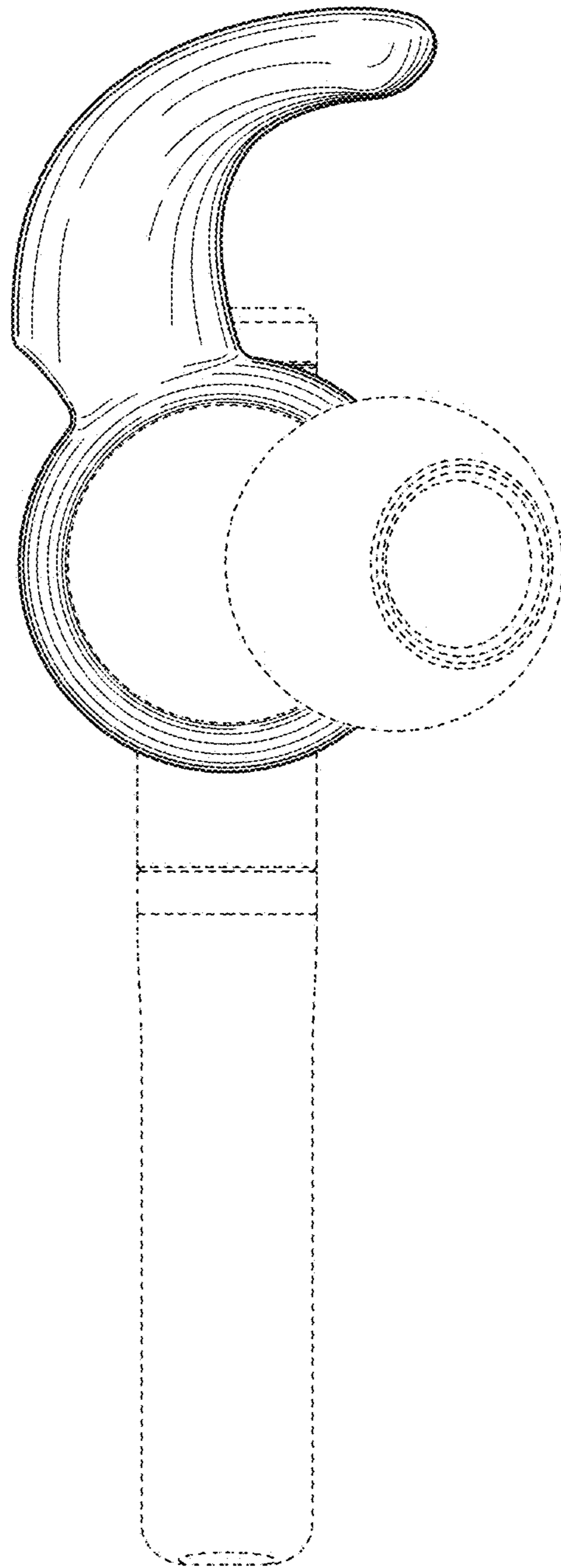
*FIG. 1*



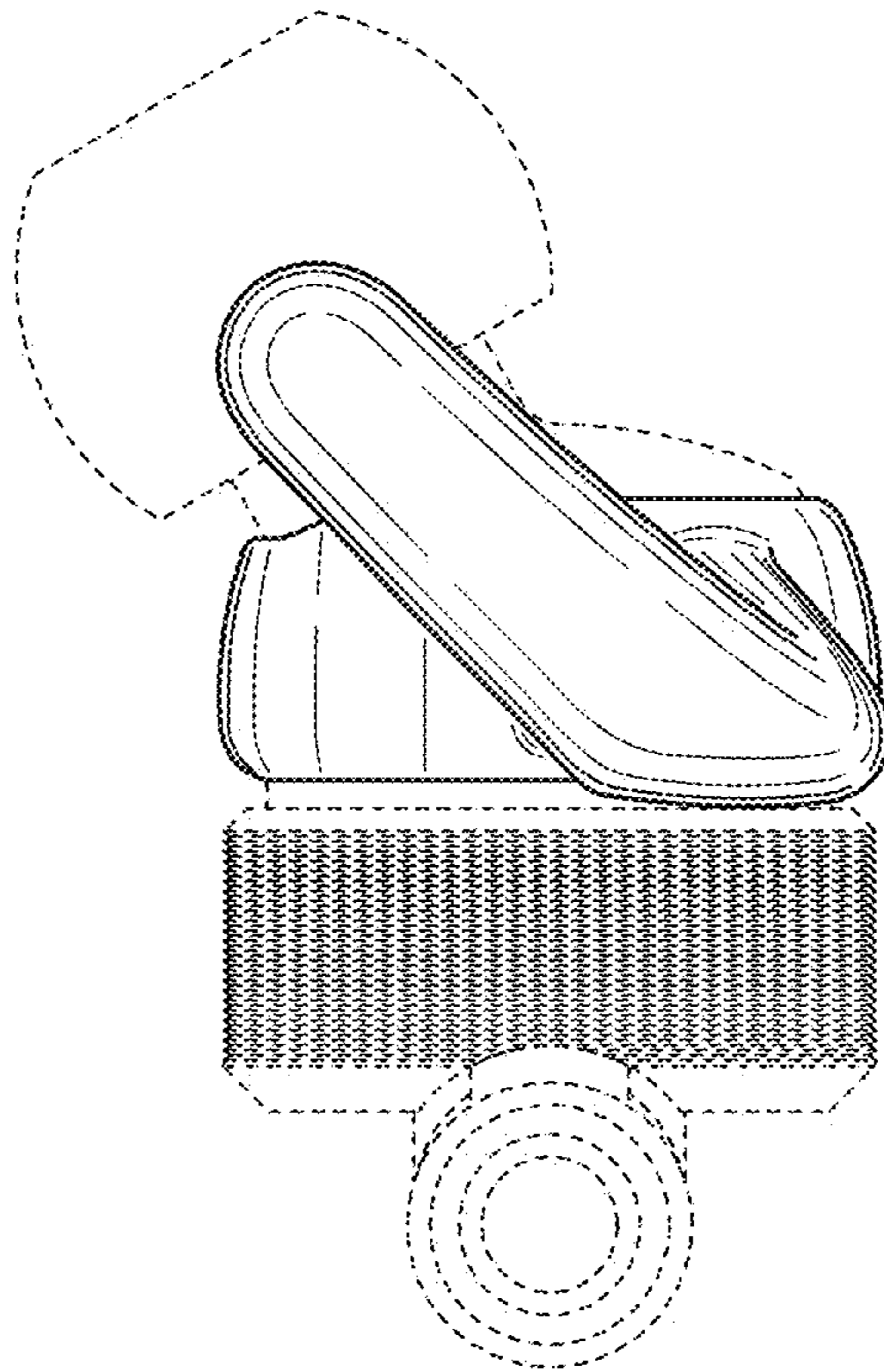
*FIG. 2*



*FIG. 3*



*FIG. 4*



*FIG. 5*

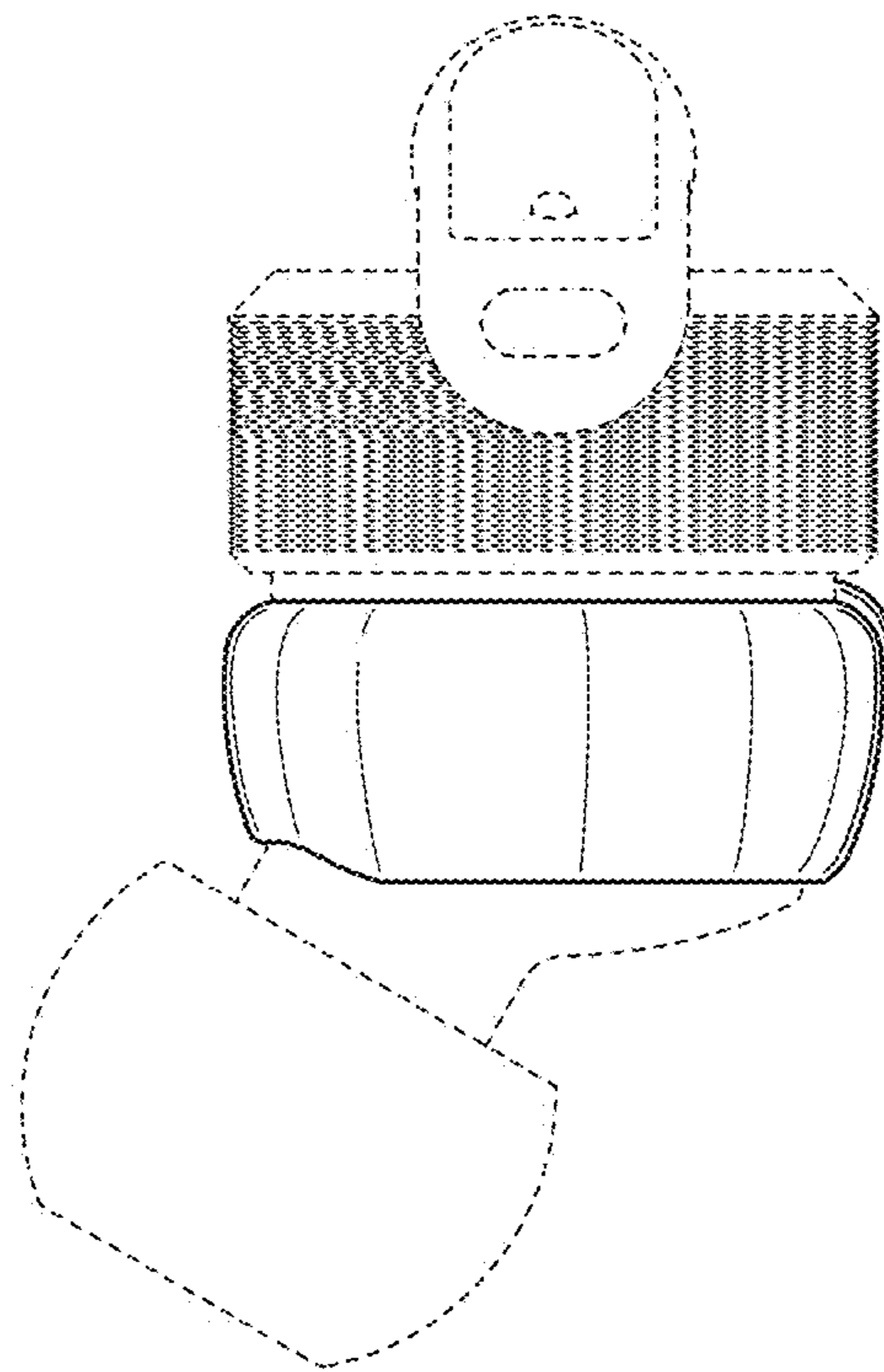


FIG. 6

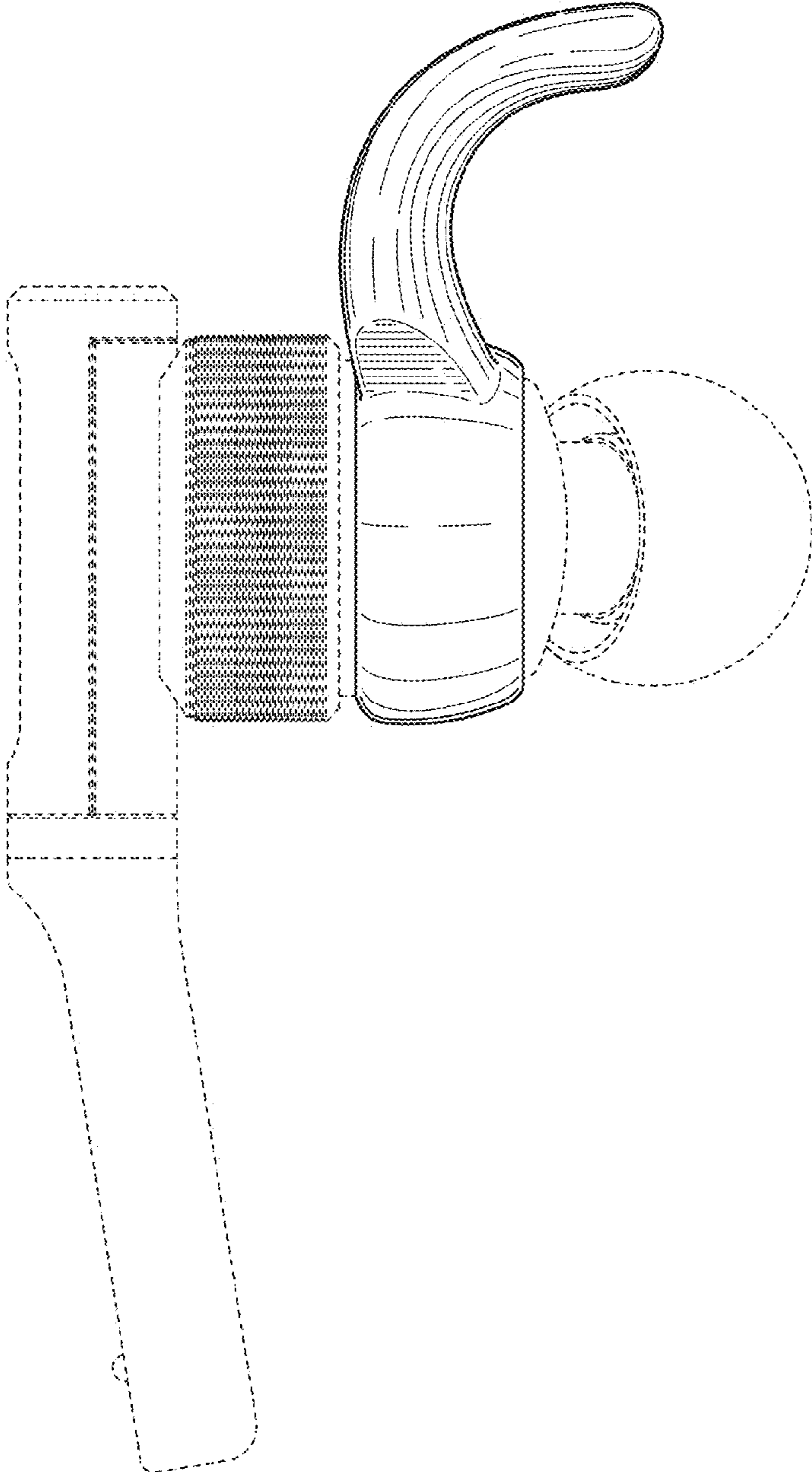




FIG. 7

