



US00D759630S

(12) **United States Design Patent**
Huang

(10) **Patent No.:** **US D759,630 S**
(45) **Date of Patent:** **** Jun. 21, 2016**

(54) **SOUND BAR**

(71) Applicant: **AmTRAN TECHNOLOGY CO., LTD,**
New Taipei (TW)

(72) Inventor: **Hsiao-Ju Huang,** New Taipei (TW)

(73) Assignee: **AmTRAN TECHNOLOGY CO., LTD.,** New Taipei (TW)

(**) Term: **14 Years**

(21) Appl. No.: **29/519,686**

(22) Filed: **Mar. 6, 2015**

(51) **LOC (10) Cl.** **14-03**

(52) **U.S. Cl.**
USPC **D14/214; D14/215**

(58) **Field of Classification Search**
USPC D14/167, 168, 170–172, 188, 194–196,
D14/204, 207, 209.1, 210–216, 219, 221,
D14/222, 224, 239, 496; 181/143, 144, 147,
181/148, 150, 153, 157, 198, 199;
381/300–303, 306, 332, 333, 336, 345,
381/361–364, 386–388; 369/6–12
CPC B60R 11/0217; G06F 1/1688; H04M 1/03;
H04M 1/035; H04R 1/02; H04R 1/06; H04R
1/021; H04R 1/025; H04R 1/026; H04R
1/028; H04R 1/105; H04R 1/323; H04R
1/403; H04R 1/2803; H04R 1/2834; H04R
5/02; H04R 7/20; H04R 9/06; H04R 9/025;
H04R 2201/021; H04R 2400/00; H04R
2400/07; H04R 2499/11; H04R 2499/13;
H04R 2499/15; H04S 3/00; H04S 7/30

See application file for complete search history.

(56) **References Cited**

U.S. PATENT DOCUMENTS

D655,690	S	*	3/2012	Yagi	D14/214
D692,858	S	*	11/2013	Millora	D14/214
D714,763	S	*	10/2014	Woo	D14/209.1
D715,769	S	*	10/2014	McManigal	D14/214
D719,931	S	*	12/2014	Wang	D14/204
D726,153	S	*	4/2015	Chang	D14/214
D738,853	S	*	9/2015	Savage	D14/214
D745,488	S	*	12/2015	Lee	D14/204

* cited by examiner

Primary Examiner — Keli L Hill

(74) *Attorney, Agent, or Firm* — Muncy, Geissler, Olds & Lowe, P.C.

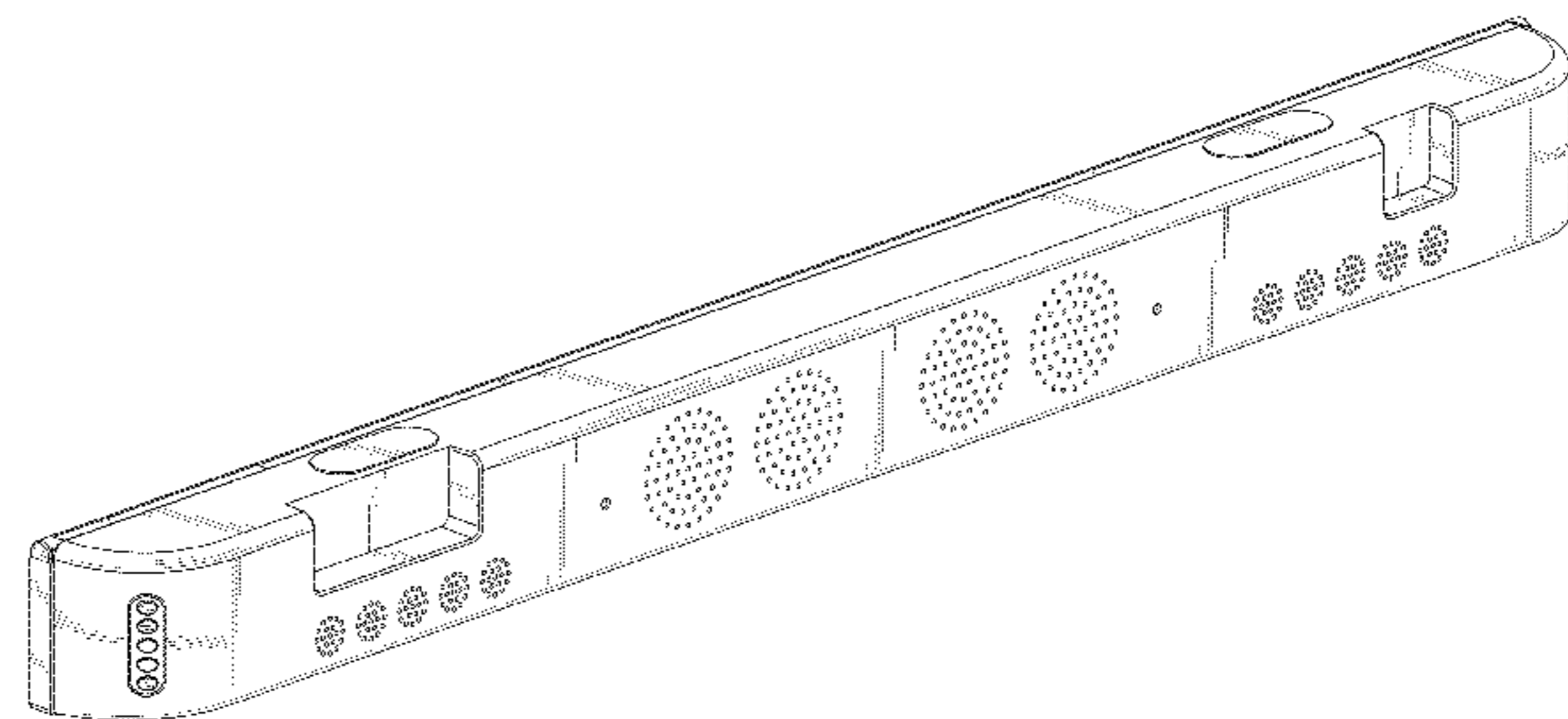
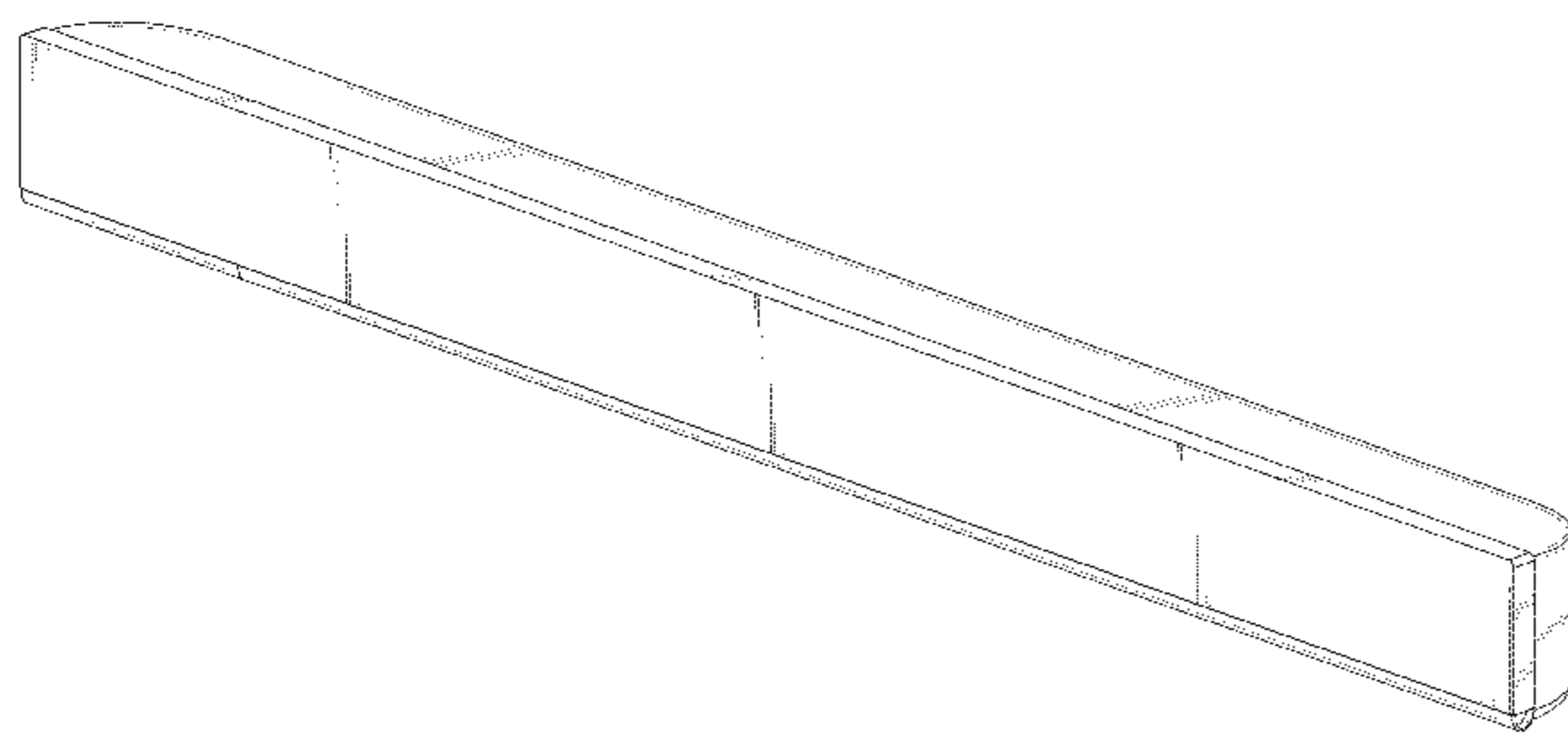
(57) **CLAIM**

The ornamental design for a “sound bar,” as shown and described.

DESCRIPTION

FIG. 1 is a top front right perspective view of sound bar showing our new design;
FIG. 2 is a bottom rear left perspective view of sound bar showing our new design;
FIG. 3 is a front view thereof;
FIG. 4 is a rear view thereof;
FIG. 5 is a left side elevational view thereof;
FIG. 6 is a right side elevational view thereof;
FIG. 7 is a top view thereof; and,
FIG. 8 is a bottom view thereof.

1 Claim, 4 Drawing Sheets



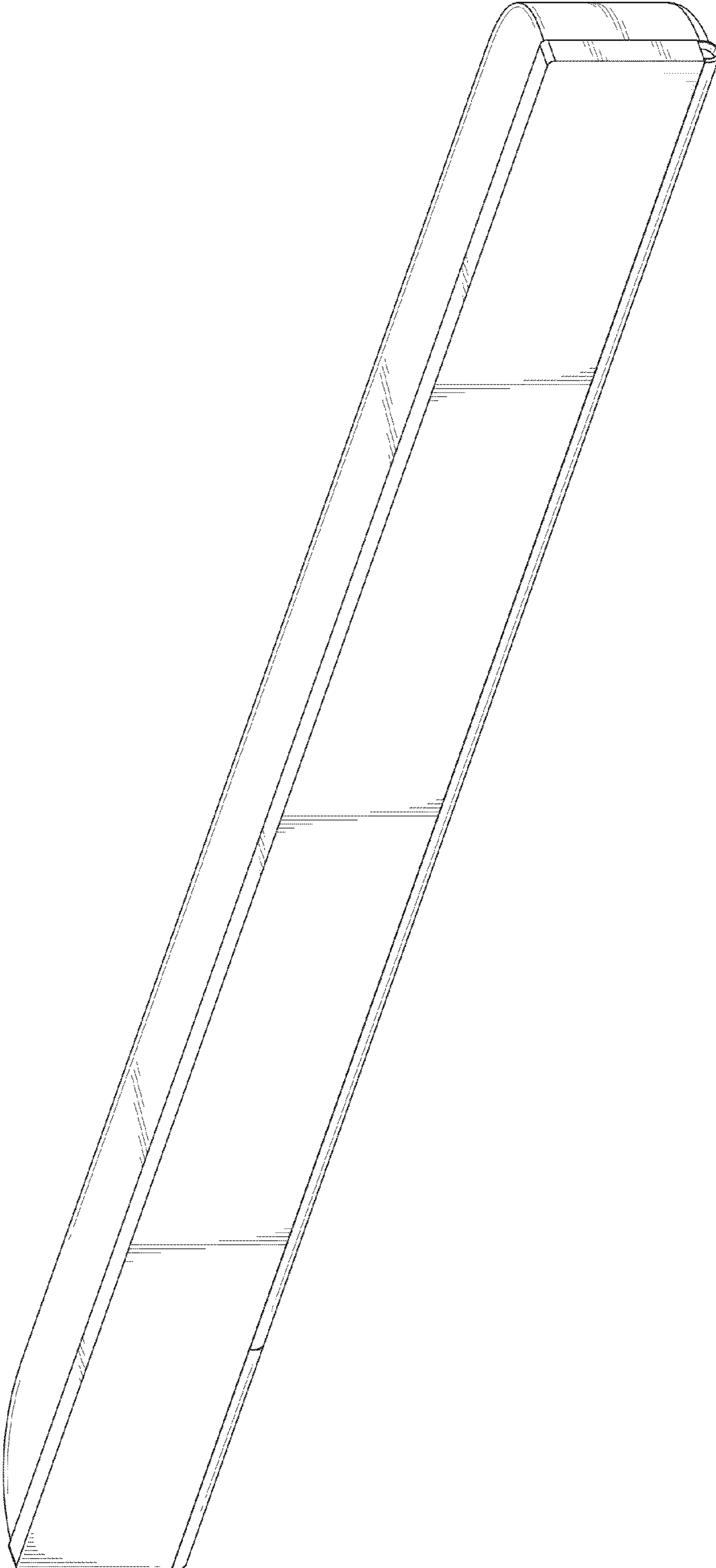


FIG. 1

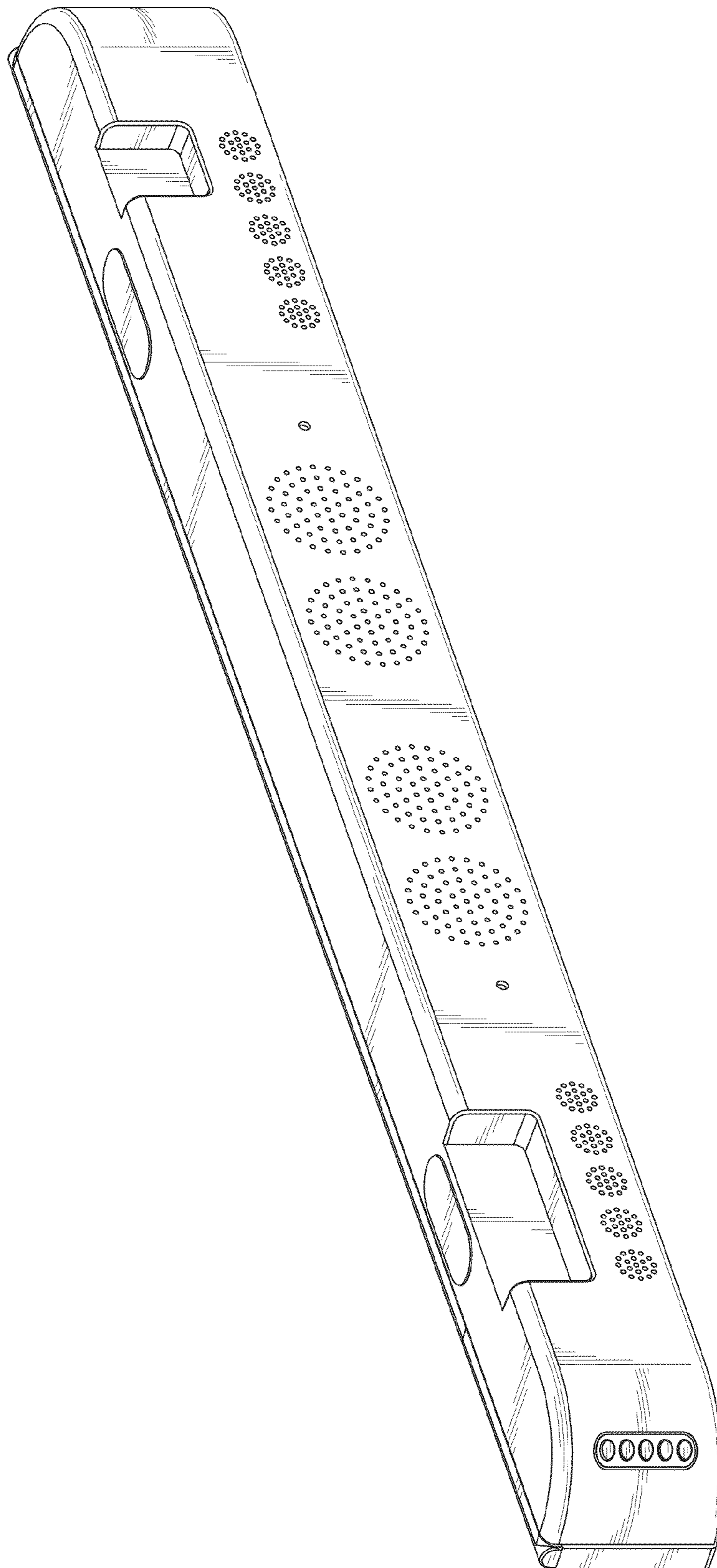


FIG. 2

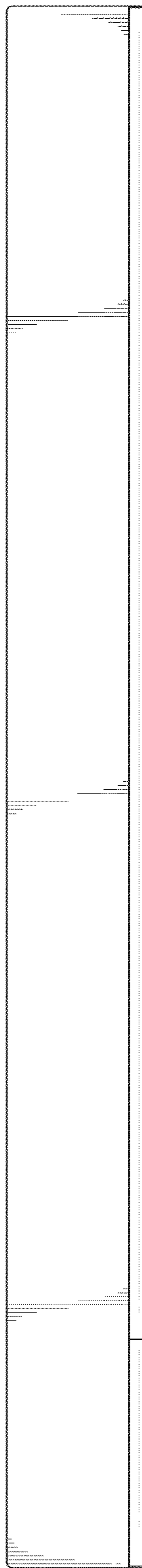


FIG. 3

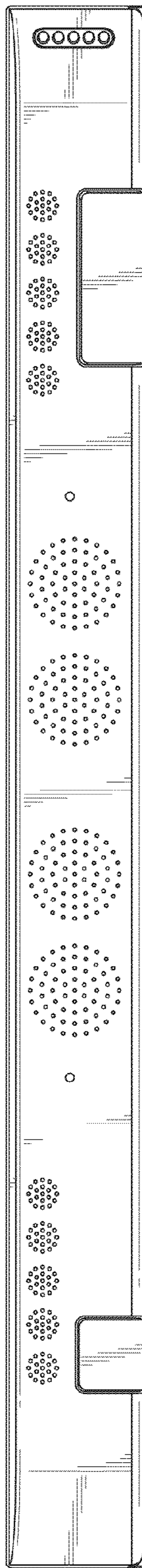


FIG. 4

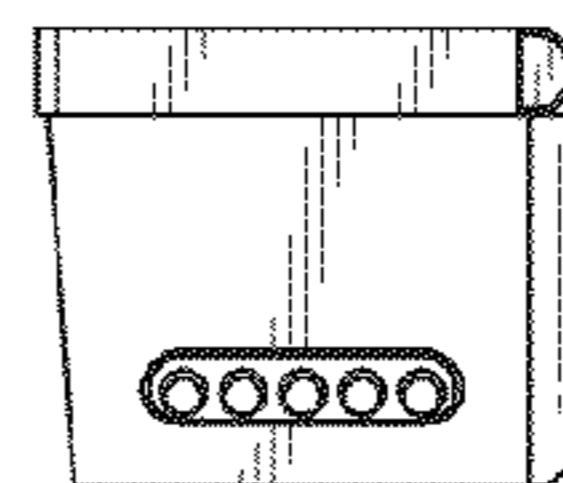


FIG. 5

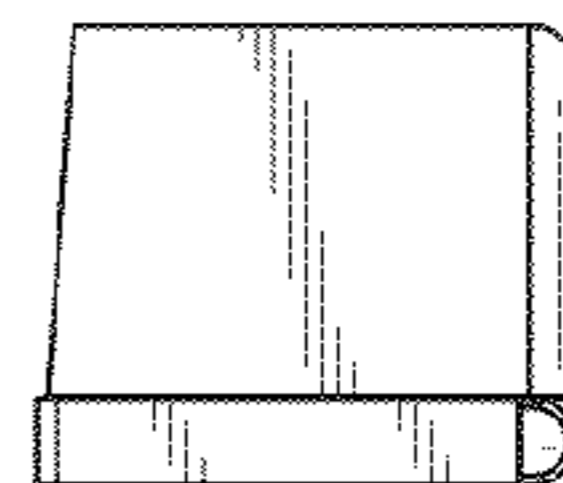


FIG. 6

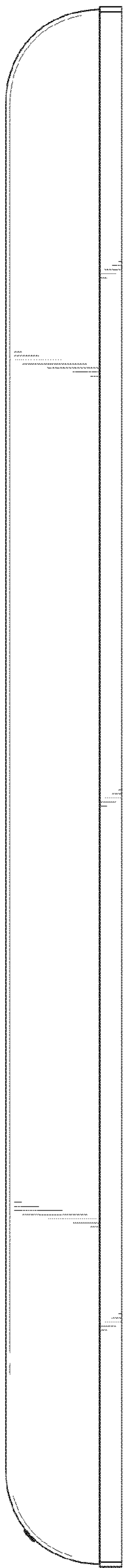


FIG. 7

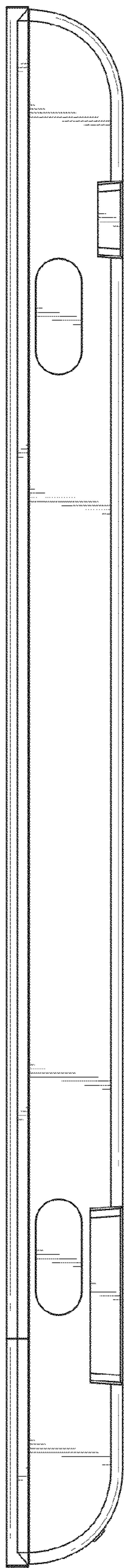


FIG. 8