



US00D759629S

(12) **United States Design Patent**
Kusano et al.

(10) **Patent No.:** **US D759,629 S**
(45) **Date of Patent:** **** Jun. 21, 2016**

(54) **PLAYBACK DEVICE**

(71) Applicant: **Sonos, Inc.**, Santa Barbara, CA (US)

(72) Inventors: **Mieko Kusano**, Santa Barbara, CA (US); **Wai-Loong Lim**, San Francisco, CA (US); **Hilmar Lehnert**, Framingham, MA (US); **Ong Kok Aun**, Bayan Lepas (MY); **Koh Eng Giap**, Sungai Dua (MY)

(73) Assignee: **Sonos, Inc.**, Santa Barbara, CA (US)

(**) Term: **14 Years**

(21) Appl. No.: **29/510,397**

(22) Filed: **Nov. 26, 2014**

Related U.S. Application Data

(63) Continuation of application No. 29/425,045, filed on Jun. 19, 2012, now Pat. No. Des. 721,352.

(51) **LOC (10) Cl.** **14-03**

(52) **U.S. Cl.**
USPC **D14/214**

(58) **Field of Classification Search**
USPC D14/167, 168, 170–172, 188, 194–196, D14/204, 207, 209.1, 210–216, 219, 221, D14/222, 224, 239, 496; 181/143, 144, 147, 181/148, 150, 153, 157, 198, 199; 381/300–303, 306, 332, 333, 336, 345, 381/361–364, 386–388; 369/6–12
CPC B60R 11/0217; G06F 1/1688; G10K 9/22; G10K 11/004; H03F 1/327; H04M 1/03; H04M 1/35; H04N 5/642; H04N 21/4852; H04R 1/02; H04R 1/06; H04R 1/021; H04R 1/025; H04R 1/026; H04R 1/028; H04R 1/105; H04R 1/323; H04R 1/403; H04R 1/2803; H04R 1/2834; H04R 5/02; H04R 7/20; H04R 9/06; H04R 9/025; H04R 2201/021; H04R 2400/00; H04R 2400/07; H04R 2499/11; H04R 2499/13; H04R 2499/15; H04S 3/00; H04S 7/30

See application file for complete search history.

(56) **References Cited**

U.S. PATENT DOCUMENTS

D538,260 S	3/2007	Wada	
D660,284 S	5/2012	Carbone	
D681,009 S	4/2013	Meng et al.	
D688,231 S	8/2013	Nishii	
D715,257 S	* 10/2014	Son	D14/214
D715,259 S	* 10/2014	Han	D14/214
D715,768 S	* 10/2014	Ryu	D14/211
D716,756 S	* 11/2014	Kim	D14/204
D718,737 S	* 12/2014	Shadovitz	D14/209.1
D719,931 S	* 12/2014	Wang	D14/204
D721,352 S	* 1/2015	Kusano	D14/204

OTHER PUBLICATIONS

United States Patent and Trademark Office, “Notice of Allowance”, issued in connection with U.S. Appl. No. 29/425,045, mailed on Sep. 12, 2014, 45 pages.

* cited by examiner

Primary Examiner — Keli L Hill

(74) *Attorney, Agent, or Firm* — KPPB LLP

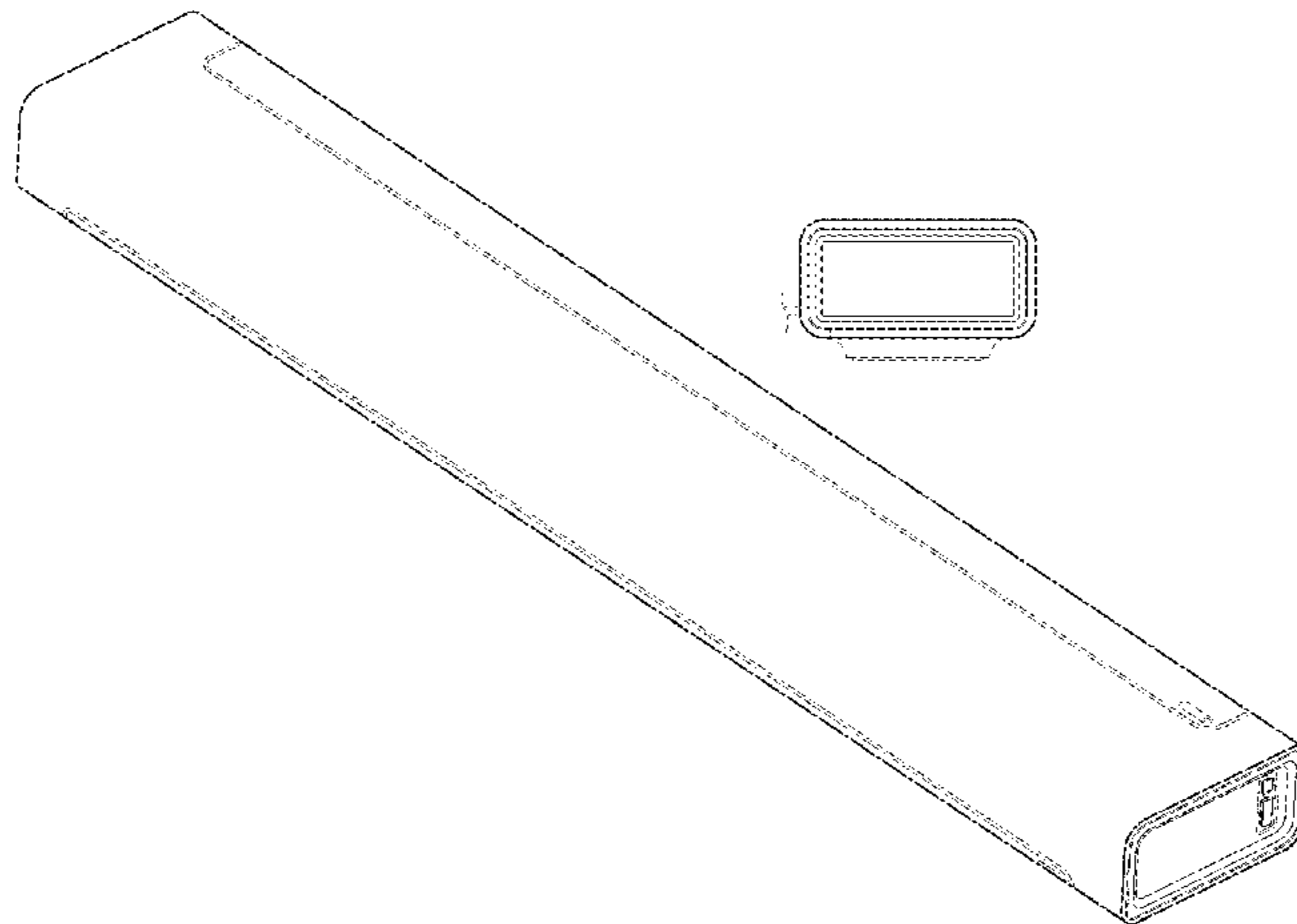
(57) **CLAIM**

The ornamental design for a playback device, as shown and described.

DESCRIPTION

FIG. 1 is a front isometric view of a playback device, embodying our new design;
FIG. 2 is a front elevation view thereof;
FIG. 3 is a rear elevation view thereof;
FIG. 4 is a top plan view thereof;
FIG. 5 is a bottom plan view thereof;
FIG. 6 is an end elevation view thereof; and,
FIG. 7 is an opposite end view thereof.
The broken lines shown are included for the purpose of illustrating portions of the playback device that form no part of the claim.

1 Claim, 4 Drawing Sheets



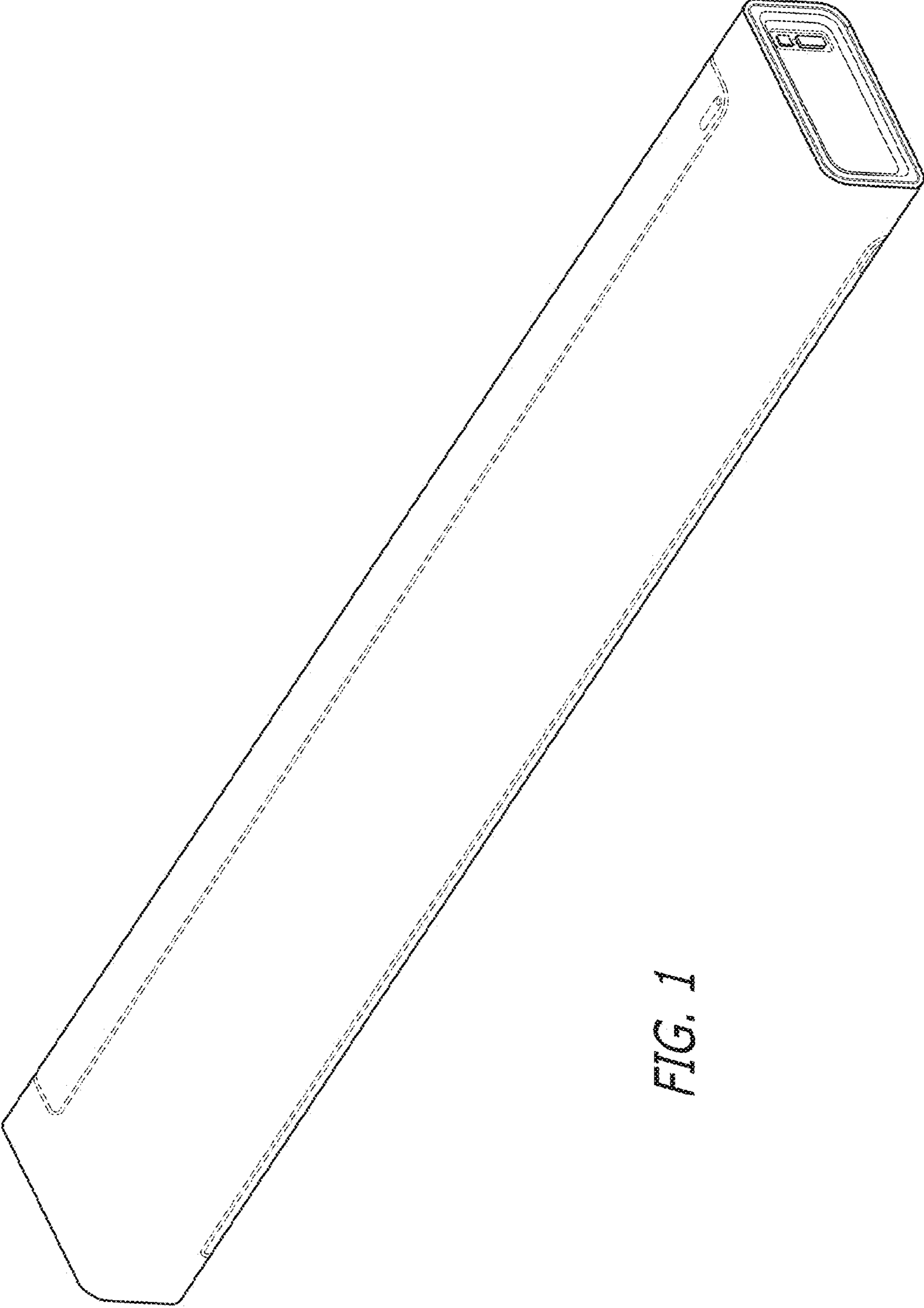


FIG. 1

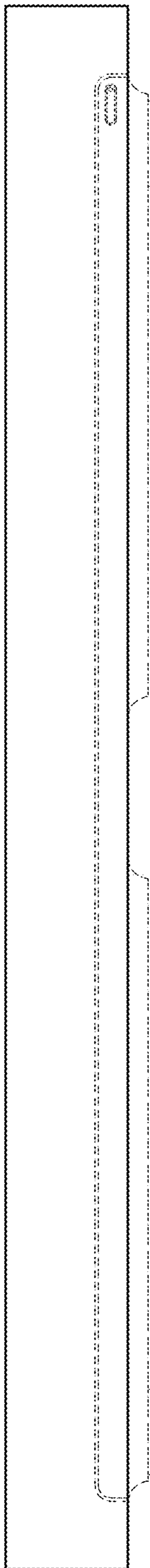


FIG. 2

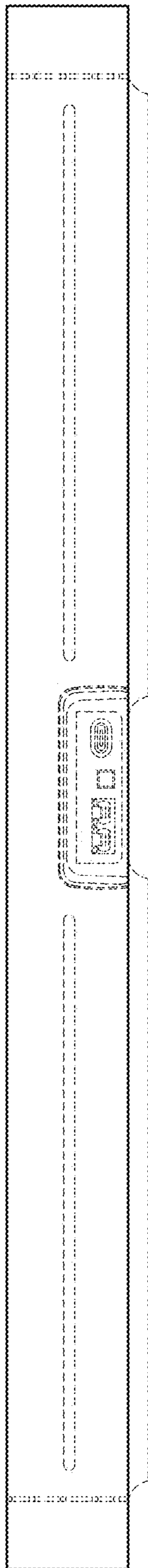


FIG. 3

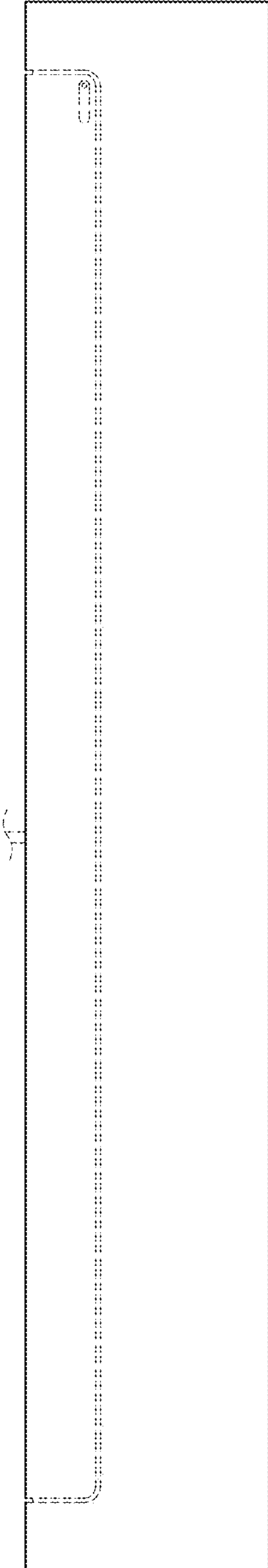


FIG. 4

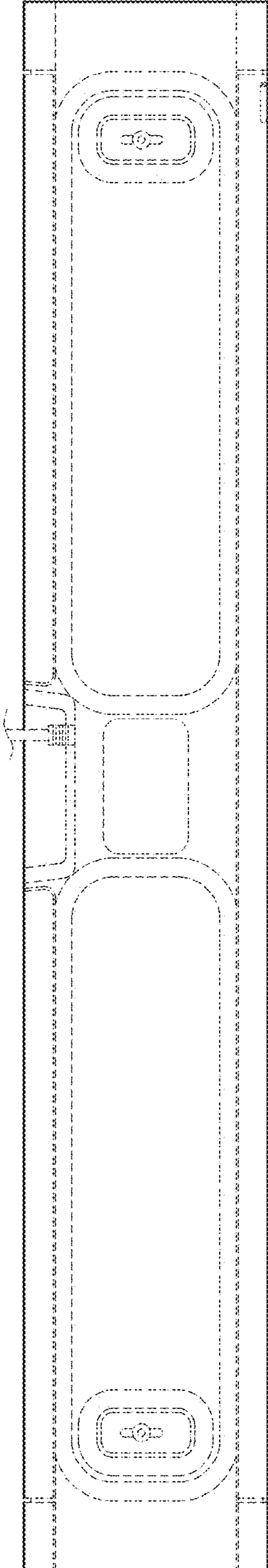


FIG. 5

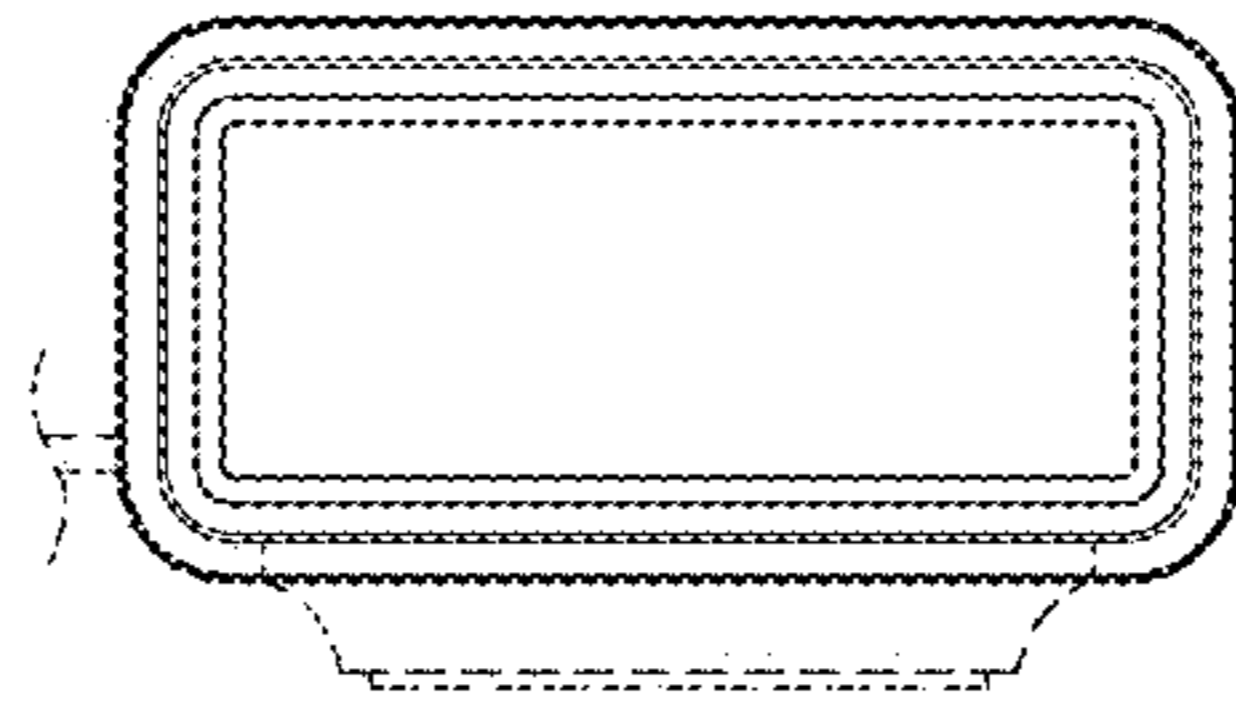


FIG. 6

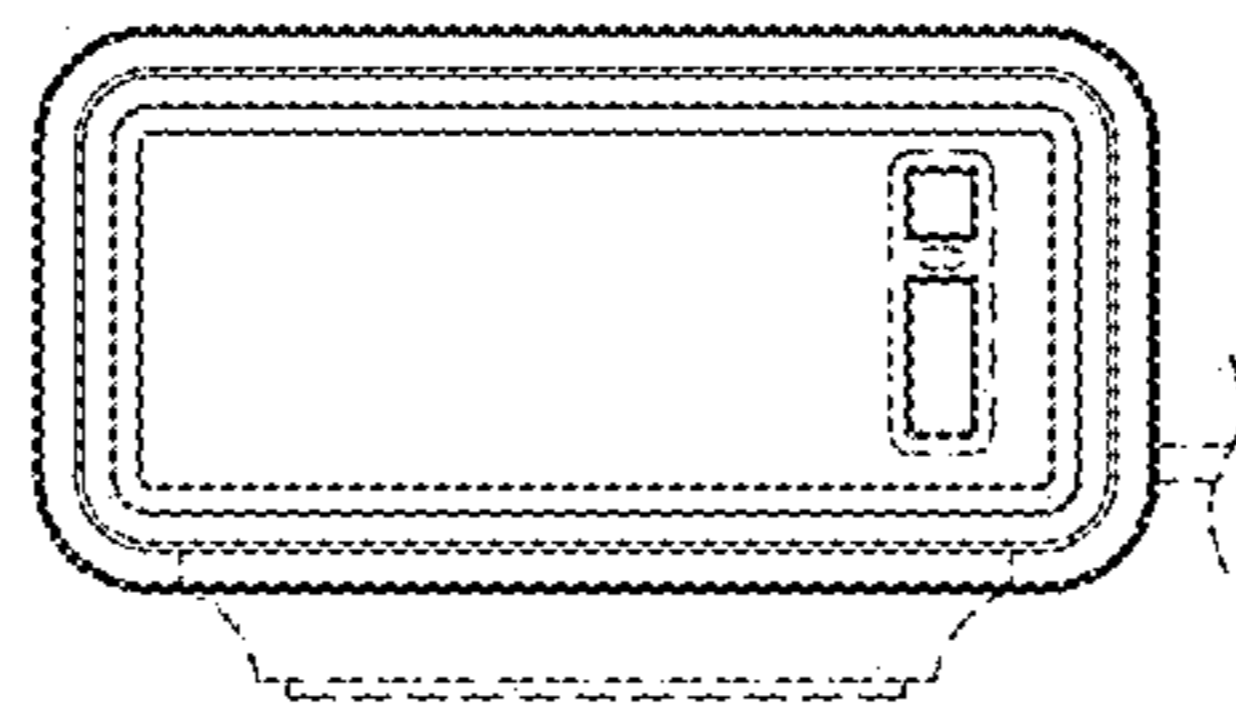


FIG. 7