



US00D759625S

(12) **United States Design Patent**  
**Hardi**

(10) **Patent No.:** **US D759,625 S**  
(45) **Date of Patent:** **\*\* Jun. 21, 2016**

- (54) **HEADPHONE WITH A WATCH FACE**
- (71) Applicant: **Muzik LLC**, Miami Beach, FL (US)
- (72) Inventor: **Jason Hardi**, Miami Beach, FL (US)
- (73) Assignee: **MUZIK LLC**, Miami Beach, FL (US)
- (\*\*) Term: **14 Years**
- (21) Appl. No.: **29/512,029**
- (22) Filed: **Dec. 16, 2014**
- (51) **LOC (10) Cl.** ..... **14-01**
- (52) **U.S. Cl.**  
USPC ..... **D14/205**
- (58) **Field of Classification Search**  
USPC ..... D14/205, 223, 207; D10/30, 31, 38, 39;  
368/282; 181/129, 130, 135; 379/430,  
379/431; 381/380, 381  
CPC ..... H04R 1/10  
See application file for complete search history.

- 7,072,483 B2 \* 7/2006 Lenhard-Backhaus ..... H04R 1/1066  
381/370
- 7,096,048 B2 \* 8/2006 Sanders ..... H04B 1/385  
381/338
- D540,302 S \* 4/2007 Hagiwara ..... D14/205
- D540,303 S \* 4/2007 Rausch ..... D14/205
- D544,464 S \* 6/2007 Lee ..... D14/205
- D557,684 S \* 12/2007 Pundsack ..... D14/205
- D573,581 S \* 7/2008 Gondo ..... D14/205
- D584,171 S \* 1/2009 Monachon ..... D10/32
- D592,640 S \* 5/2009 Tkachuk ..... D14/205
- D594,847 S \* 6/2009 Suzuki ..... D14/205
- D597,420 S \* 8/2009 Kamata ..... D10/32
- 7,580,539 B2 \* 8/2009 Tachikawa ..... H04R 1/1066  
381/374
- D625,171 S \* 10/2010 Kiely ..... D8/356
- D625,705 S \* 10/2010 Ohori ..... D14/205

(Continued)

*Primary Examiner* — Paula Greene  
(74) *Attorney, Agent, or Firm* — Perkins Coie LLP

(57) **CLAIM**  
The ornamental design for a headphone with a watch face, as shown and described.

(56) **References Cited**

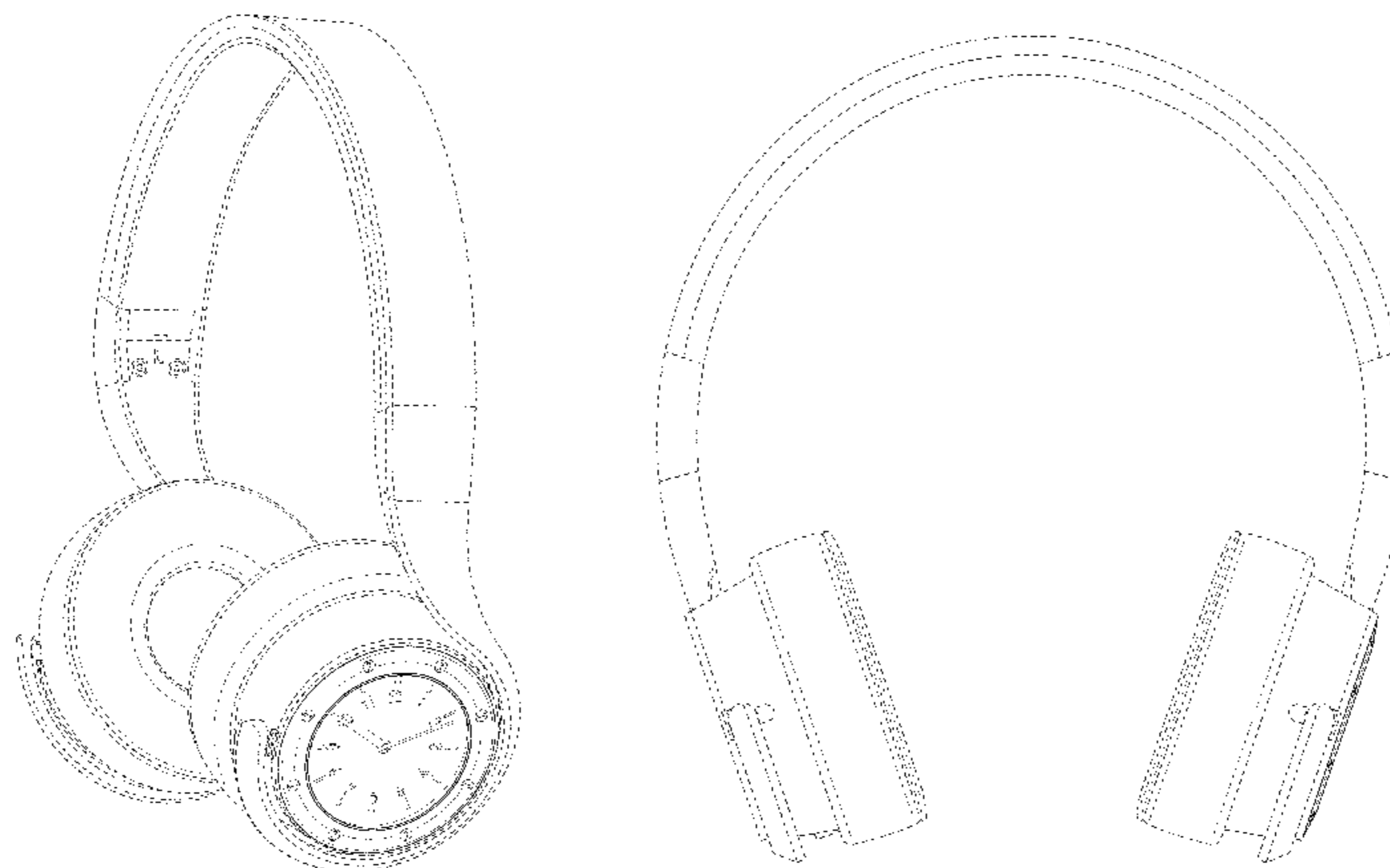
U.S. PATENT DOCUMENTS

- 50,699 A \* 10/1865 Flagg et al. .... G04B 39/00  
368/45
- D53,110 S \* 3/1919 Bliss ..... D10/1
- D55,520 S \* 6/1920 Marsh ..... D10/1
- 2,099,515 A \* 11/1937 Grey ..... 368/277
- 2,300,950 A \* 11/1942 Lux ..... G04C 23/00  
200/38 FB
- D153,006 S \* 3/1949 Newhouse ..... D10/39
- 3,952,499 A \* 4/1976 Reisman ..... G04B 37/00  
368/276
- 4,253,178 A \* 2/1981 Kolaczia ..... G04B 47/046  
368/285
- D264,945 S \* 6/1982 Pennell ..... D10/32
- D357,191 S \* 4/1995 Chodat ..... D10/30
- D403,253 S \* 12/1998 Owen ..... D10/39
- D474,118 S \* 5/2003 Monachon ..... D10/32
- D502,938 S \* 3/2005 Tokioka ..... D14/205
- D504,883 S \* 5/2005 Jacobson ..... D14/192
- D508,908 S \* 8/2005 Chueh ..... D14/205
- D511,765 S \* 11/2005 Lee ..... D14/188
- D512,983 S \* 12/2005 Tachikawa ..... D14/205

**DESCRIPTION**

FIG. 1 is a perspective view of a first embodiment of a headphone with a watch face showing our design.  
 FIG. 2 is a front view thereof.  
 FIG. 3 is a back view thereof.  
 FIG. 4 is a right side view thereof.  
 FIG. 5 is a left side view thereof.  
 FIG. 6 is a top view thereof.  
 FIG. 7 is a bottom view thereof.  
 FIG. 8 is a perspective view of a second embodiment of a headphone with a watch face showing our design.  
 FIG. 9 is a front view thereof.  
 FIG. 10 is a back view thereof.  
 FIG. 11 is a right side view thereof.  
 FIG. 12 is a left side view thereof.  
 FIG. 13 is a top view thereof; and,  
 FIG. 14 is a bottom view thereof.  
 The broken lines form no part of the claimed design.

**1 Claim, 10 Drawing Sheets**



(56)

**References Cited**

U.S. PATENT DOCUMENTS

D634,732 S *	3/2011	Kondo	.....	D14/205	D683,329 S *	5/2013	Hagelin	.....	D14/205
D648,638 S *	11/2011	Monachon	.....	D10/39	D684,141 S *	6/2013	Takamoto	.....	D14/205
8,098,872 B2 *	1/2012	Chang	.....	H04R 1/1075 381/370	D689,463 S *	9/2013	Hardi	.....	D14/205
D663,716 S *	7/2012	Hardi	.....	D14/205	D690,208 S *	9/2013	Sasaki	.....	D10/32
D673,136 S *	12/2012	Kelly	.....	D14/205	D691,109 S *	10/2013	Hardi	.....	D14/205
8,325,962 B2 *	12/2012	Ishida	.....	H04R 5/0335 381/370	D702,136 S *	4/2014	Monachon	.....	D10/39
D673,520 S *	1/2013	Tan	.....	D14/205	D707,653 S *	6/2014	Hardi	.....	D14/205
D675,595 S *	2/2013	Cho	.....	D14/205	D732,985 S *	6/2015	Cerrato	.....	D10/39
D677,647 S *	3/2013	Lee	.....	D14/205	2007/0165899 A1 *	7/2007	Garin	.....	H04R 5/0335 381/377
					2008/0069391 A1 *	3/2008	Steyn	.....	H04R 1/1025 381/371
					2009/0103762 A1 *	4/2009	Ishida	.....	H04R 5/0335 381/378

\* cited by examiner

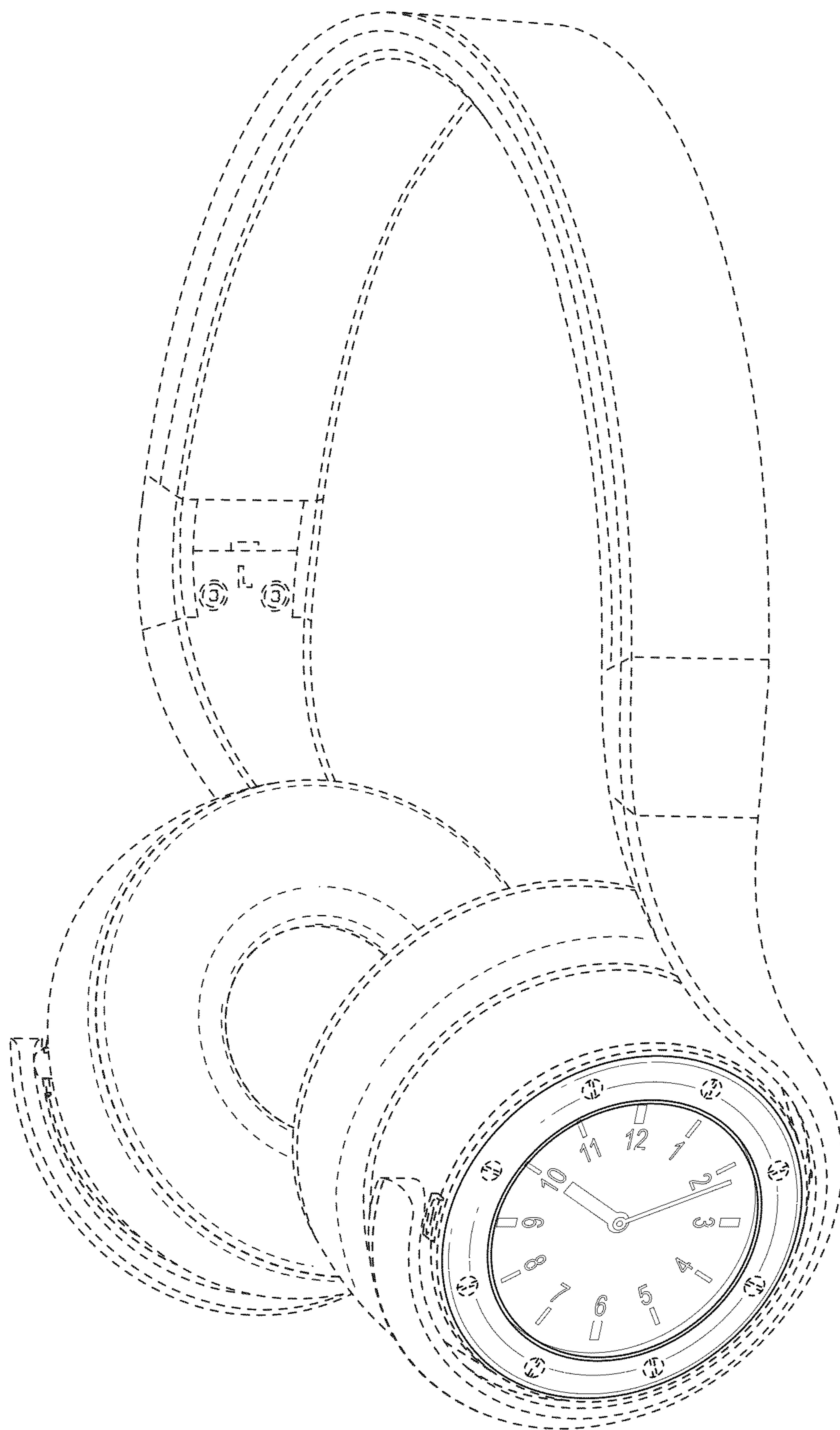


FIG. 1

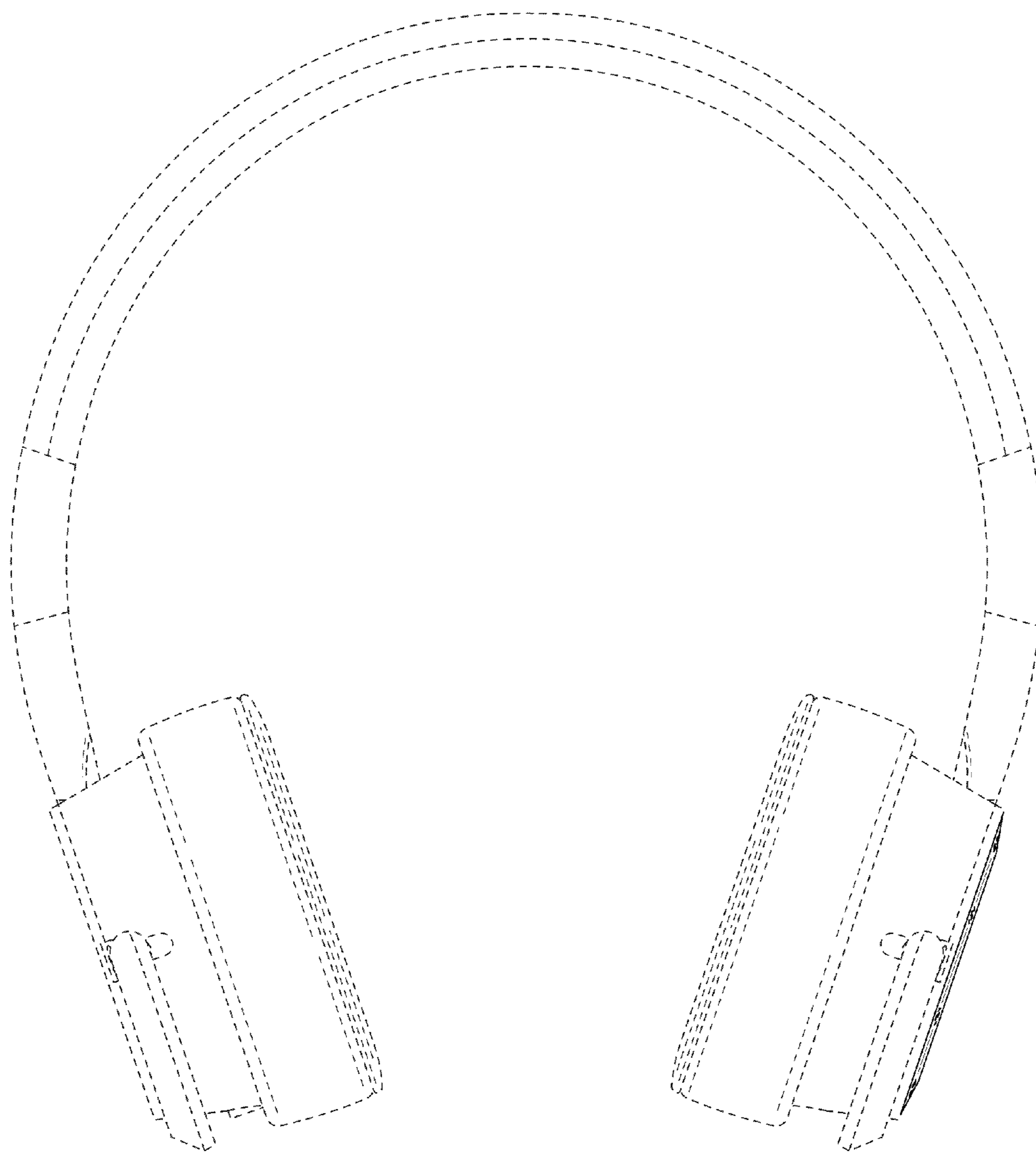


FIG. 2

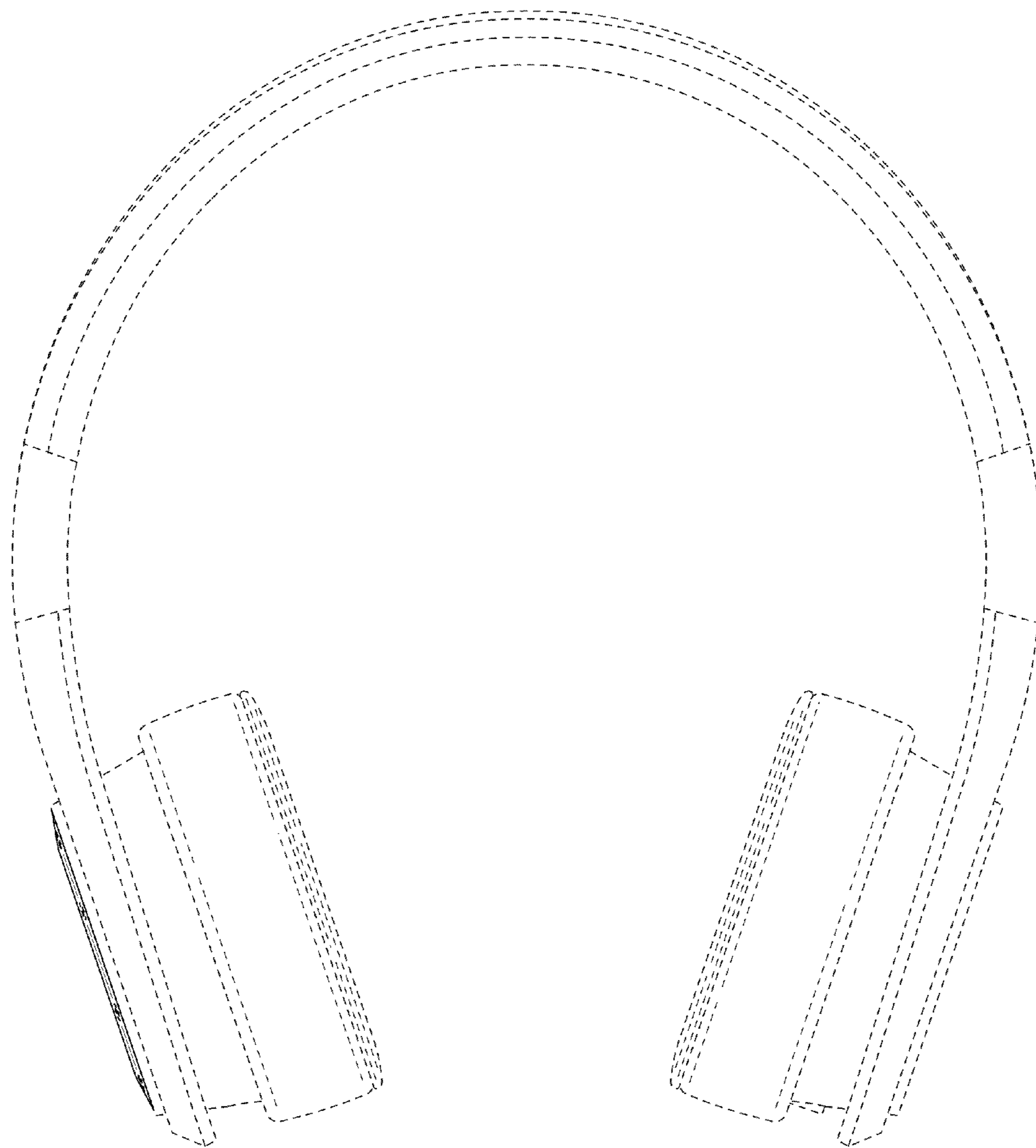


FIG. 3

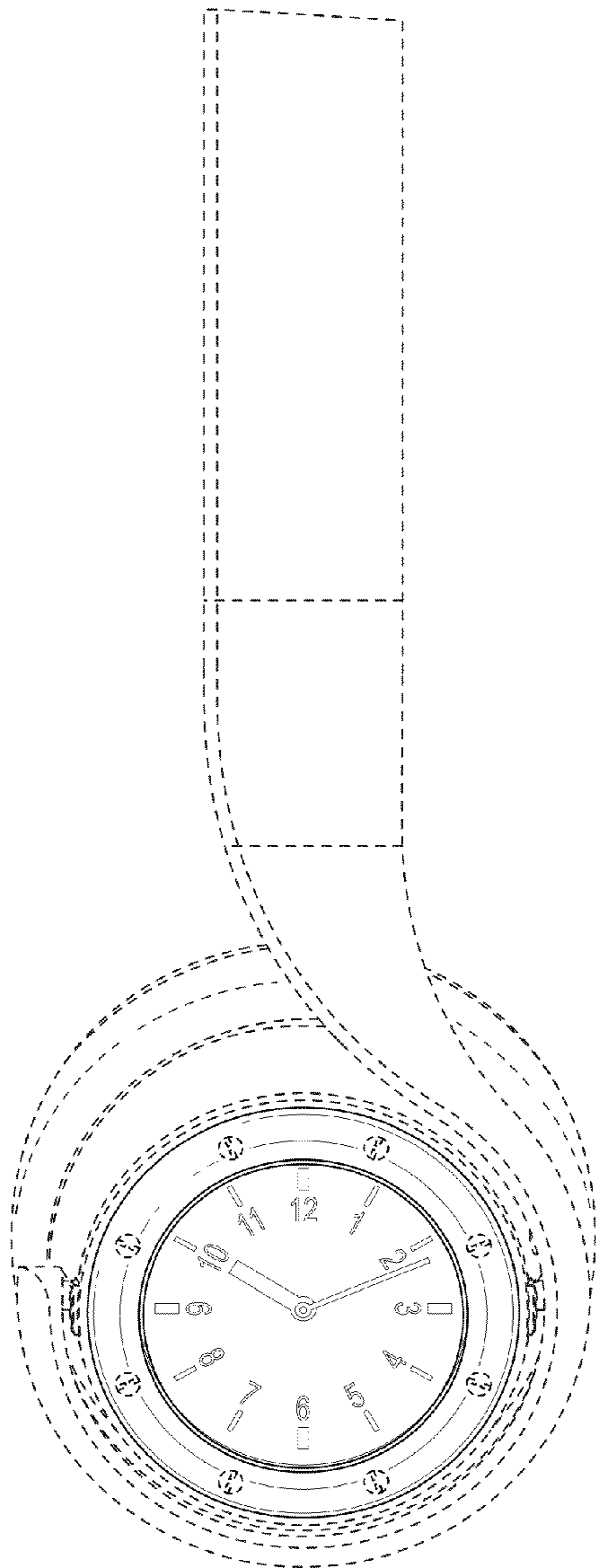


FIG. 4

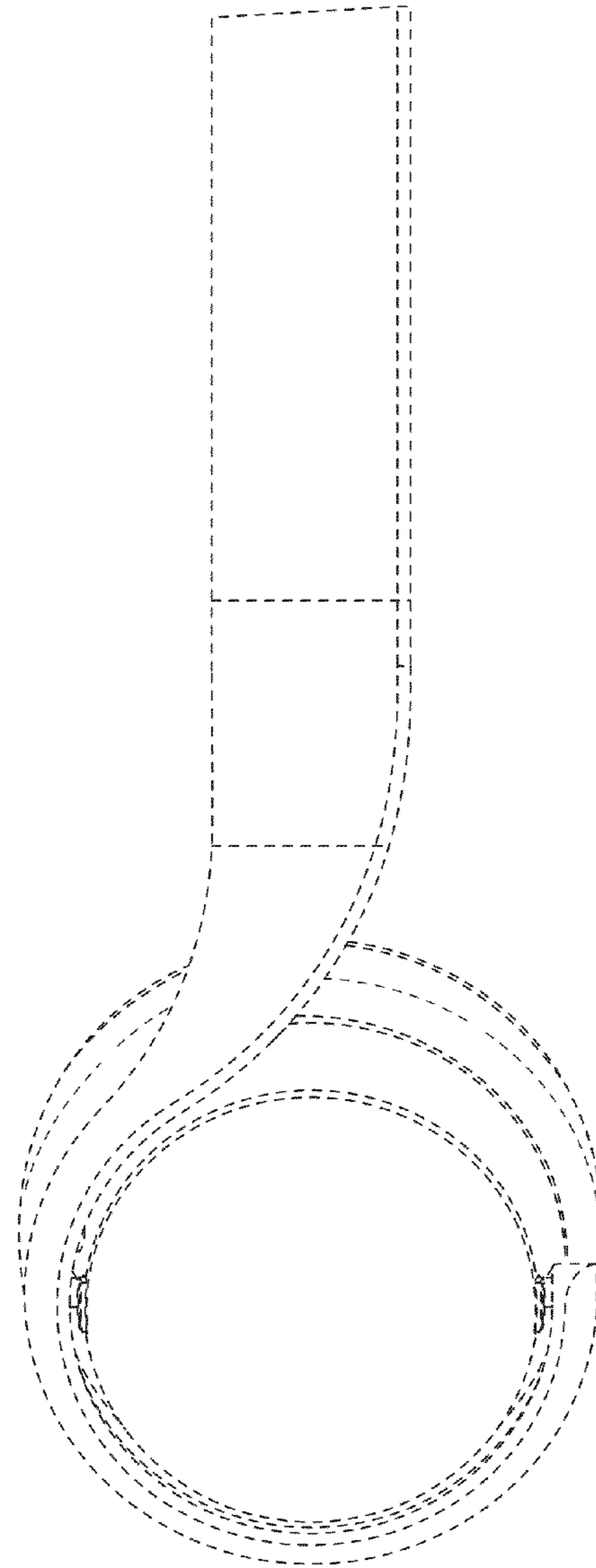


FIG. 5

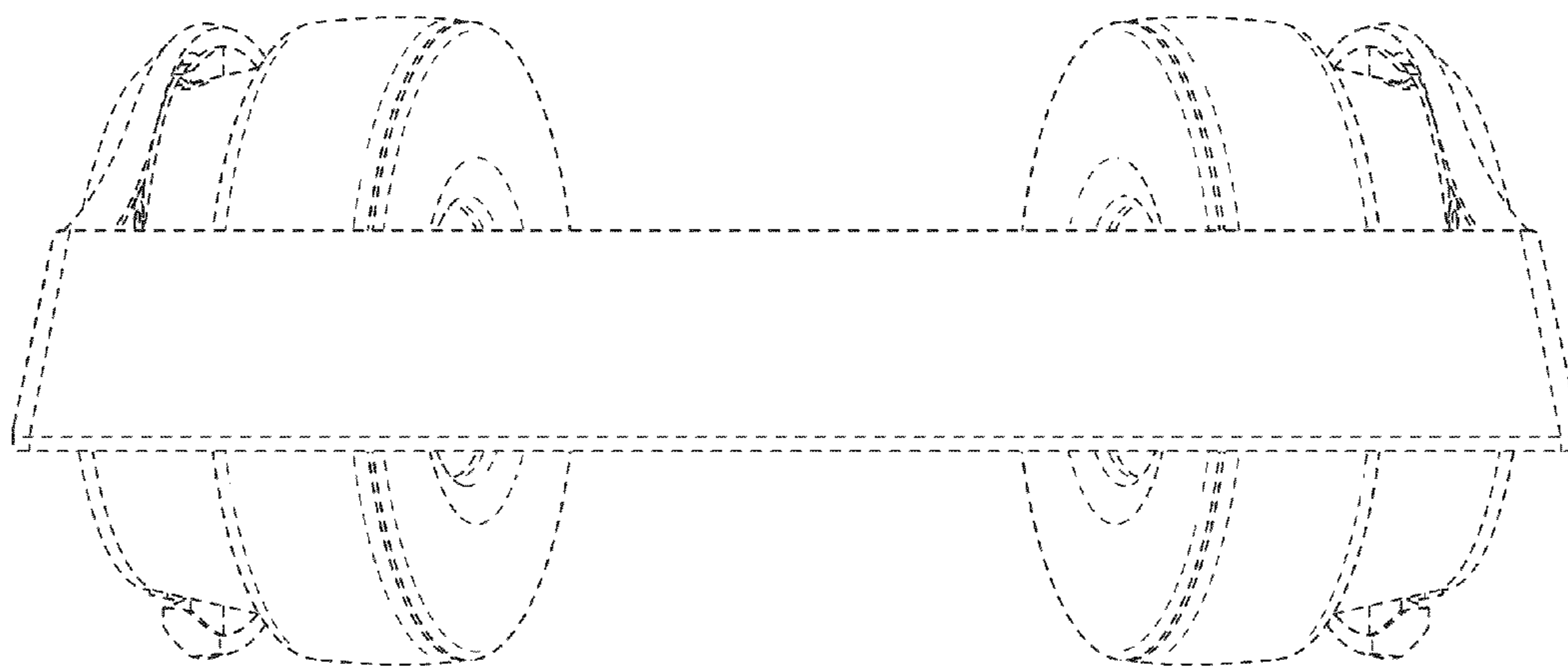


FIG. 6

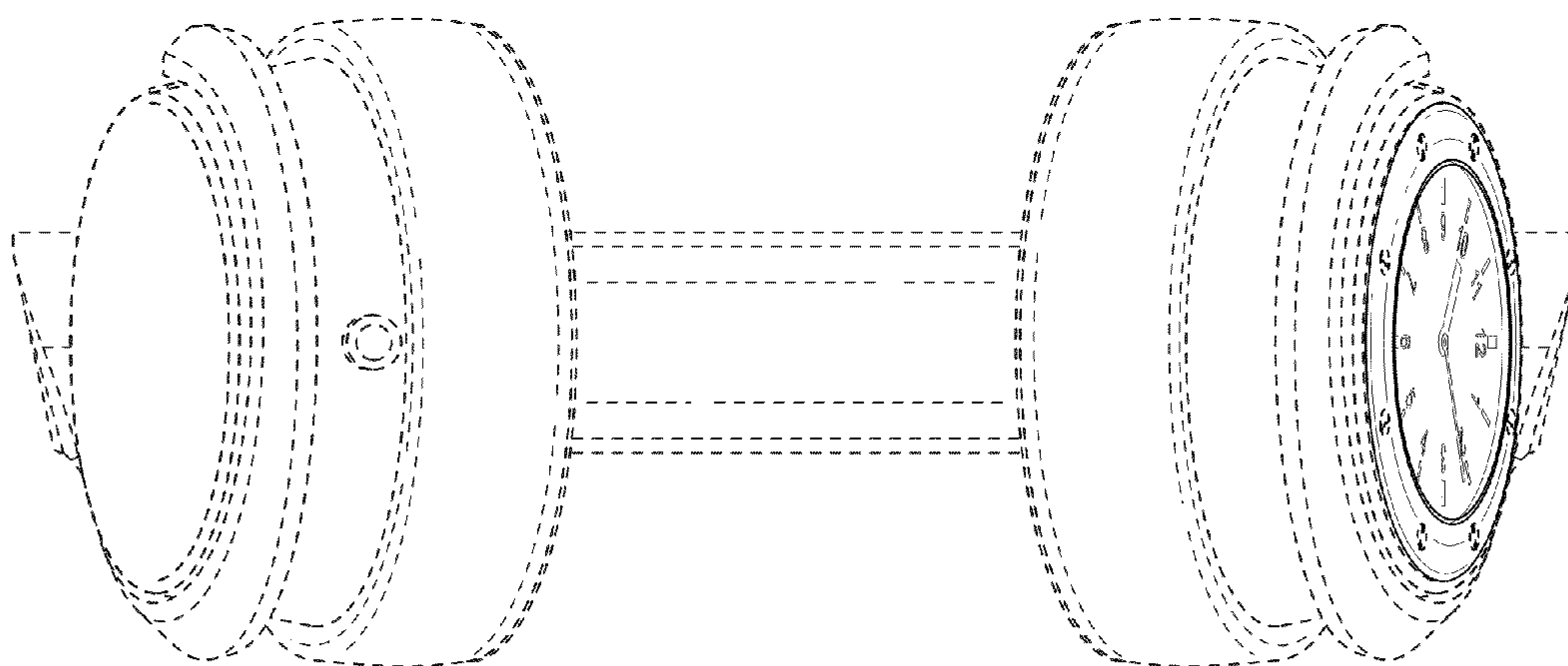


FIG. 7

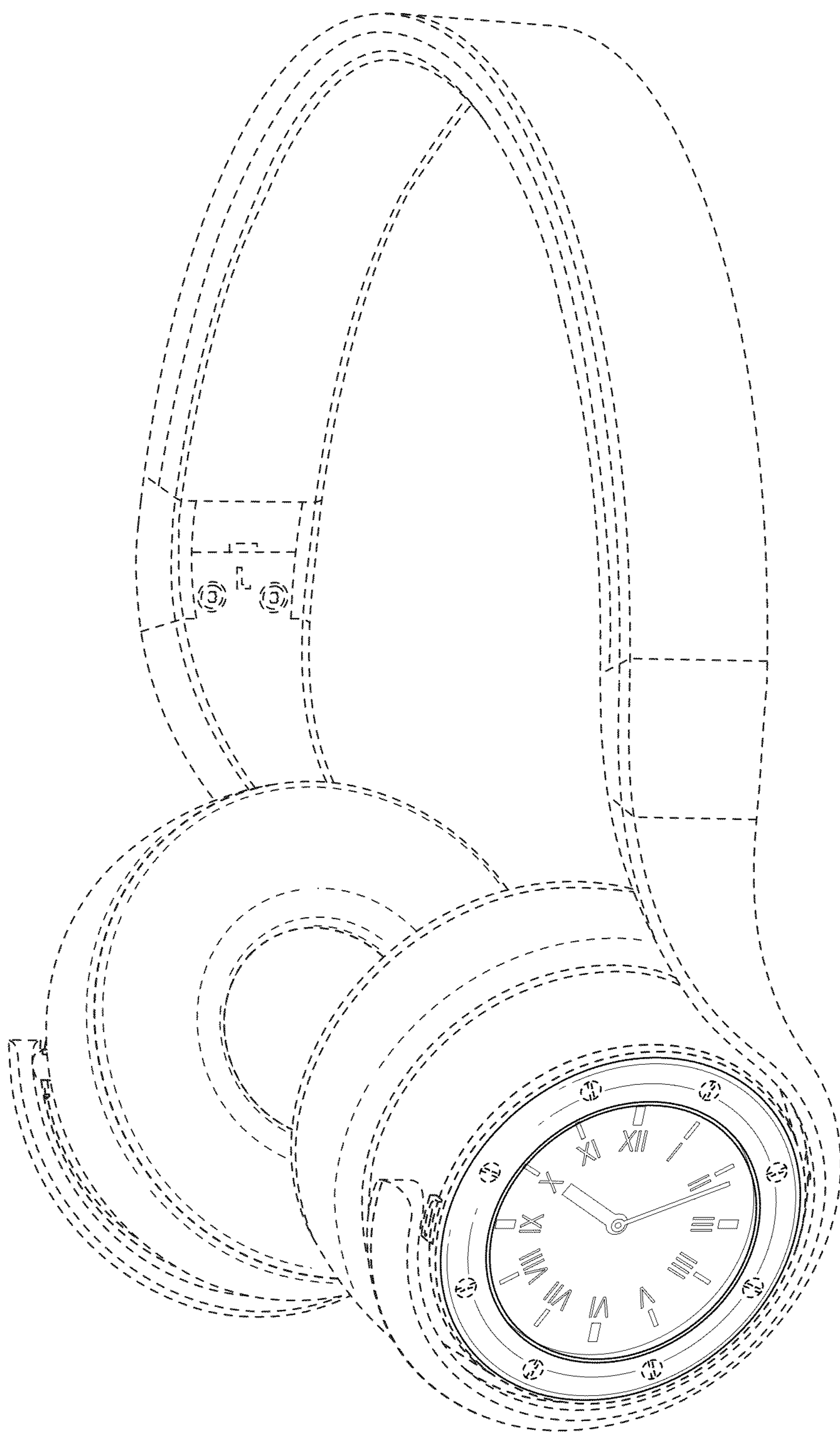


FIG. 8



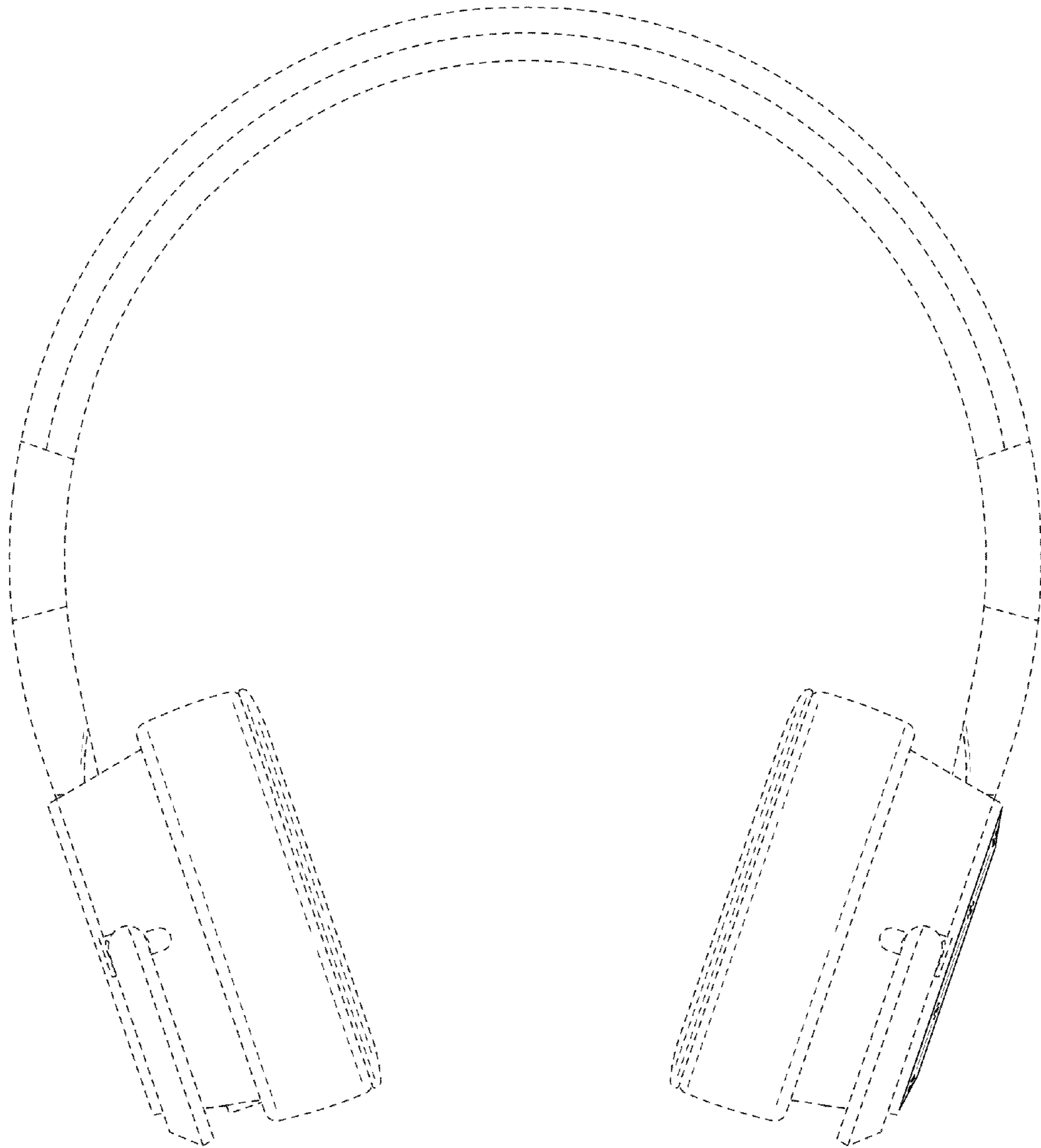


FIG. 9

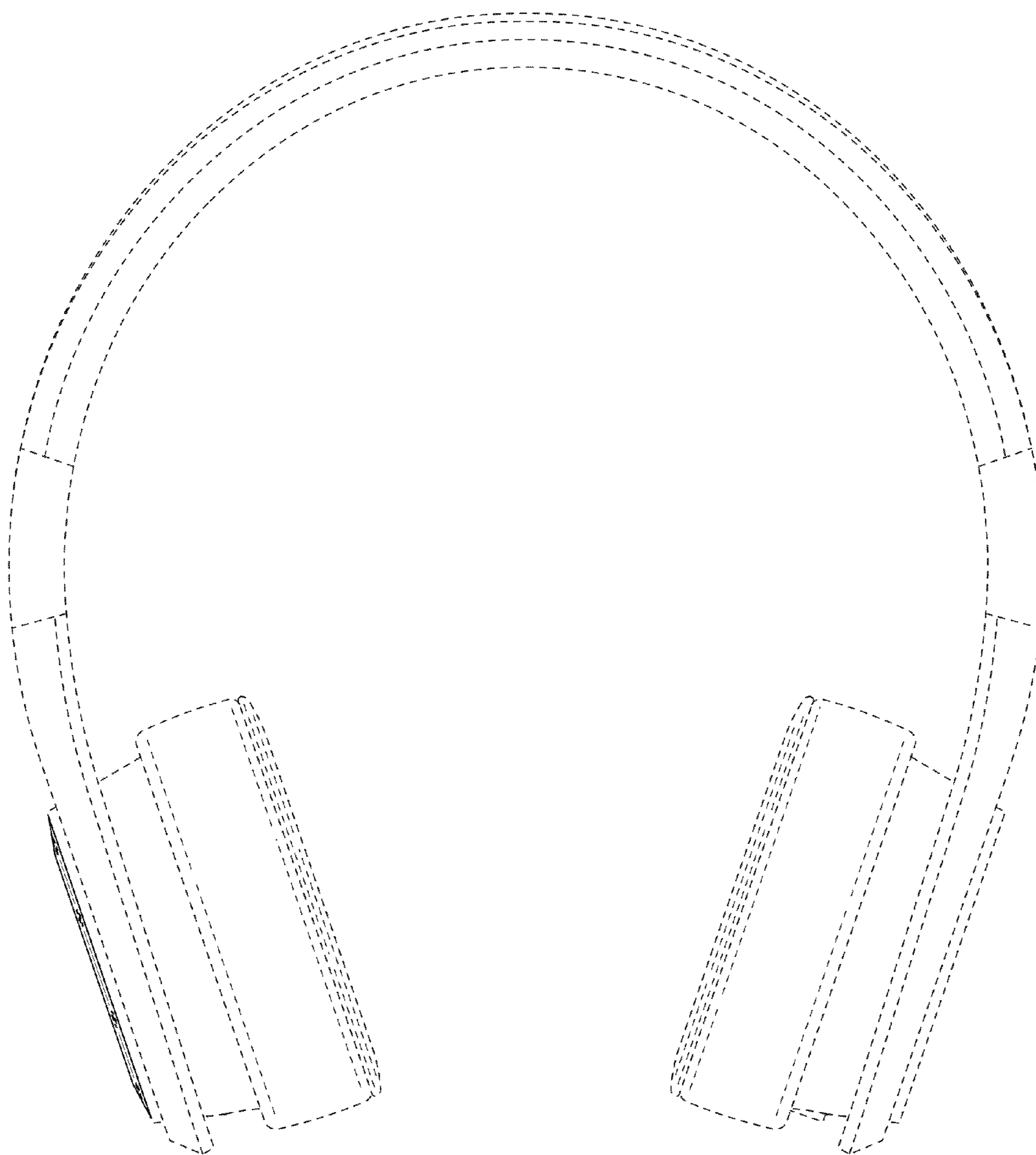


FIG. 10

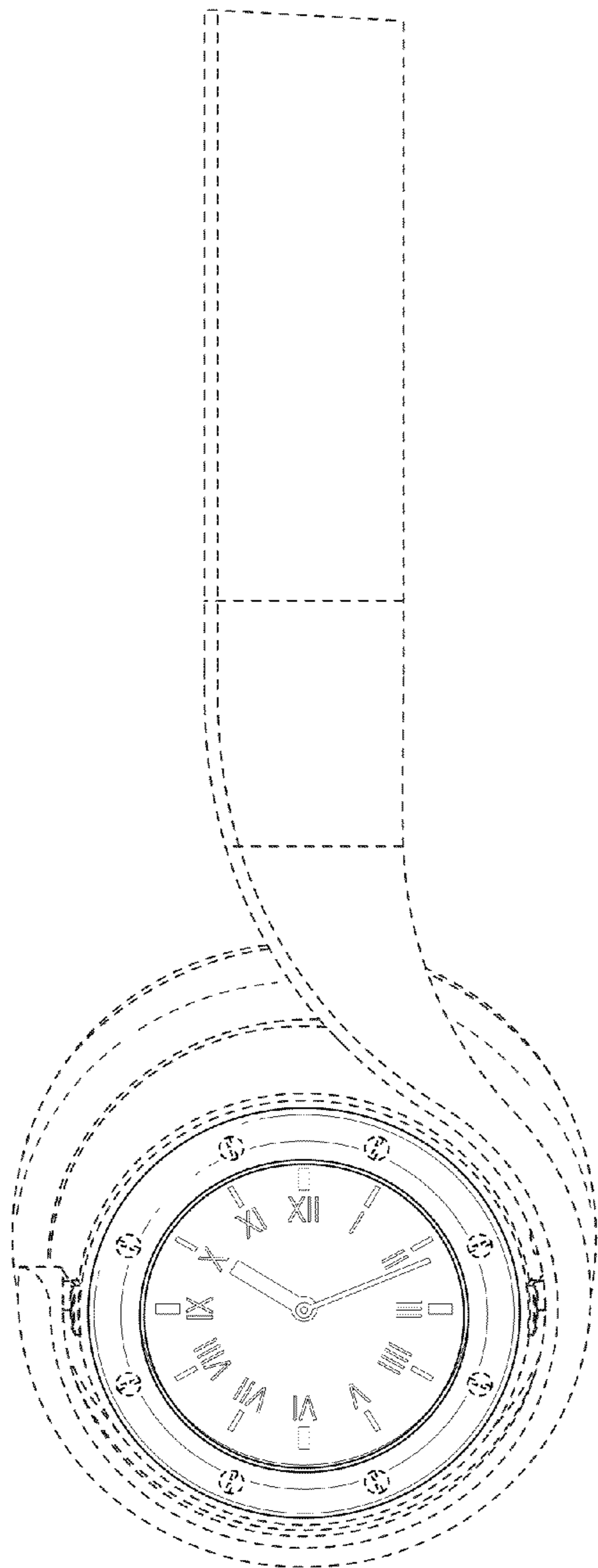


FIG. 11

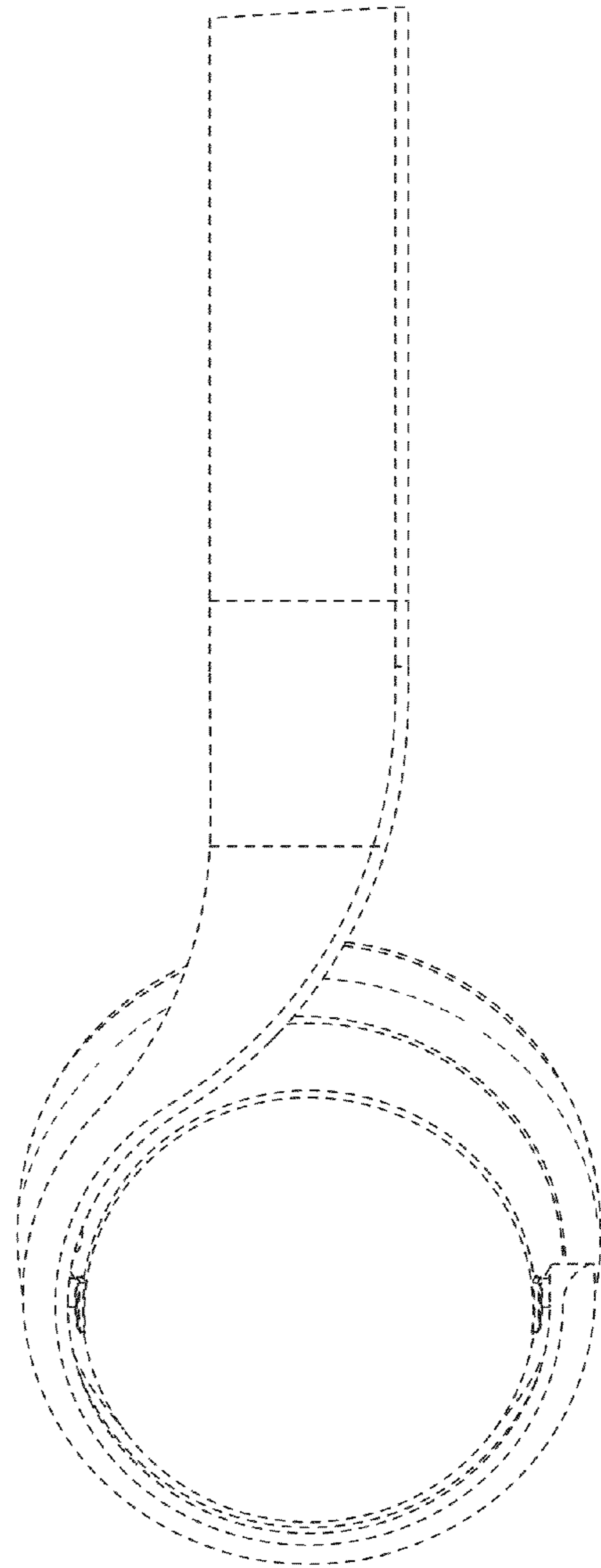


FIG. 12

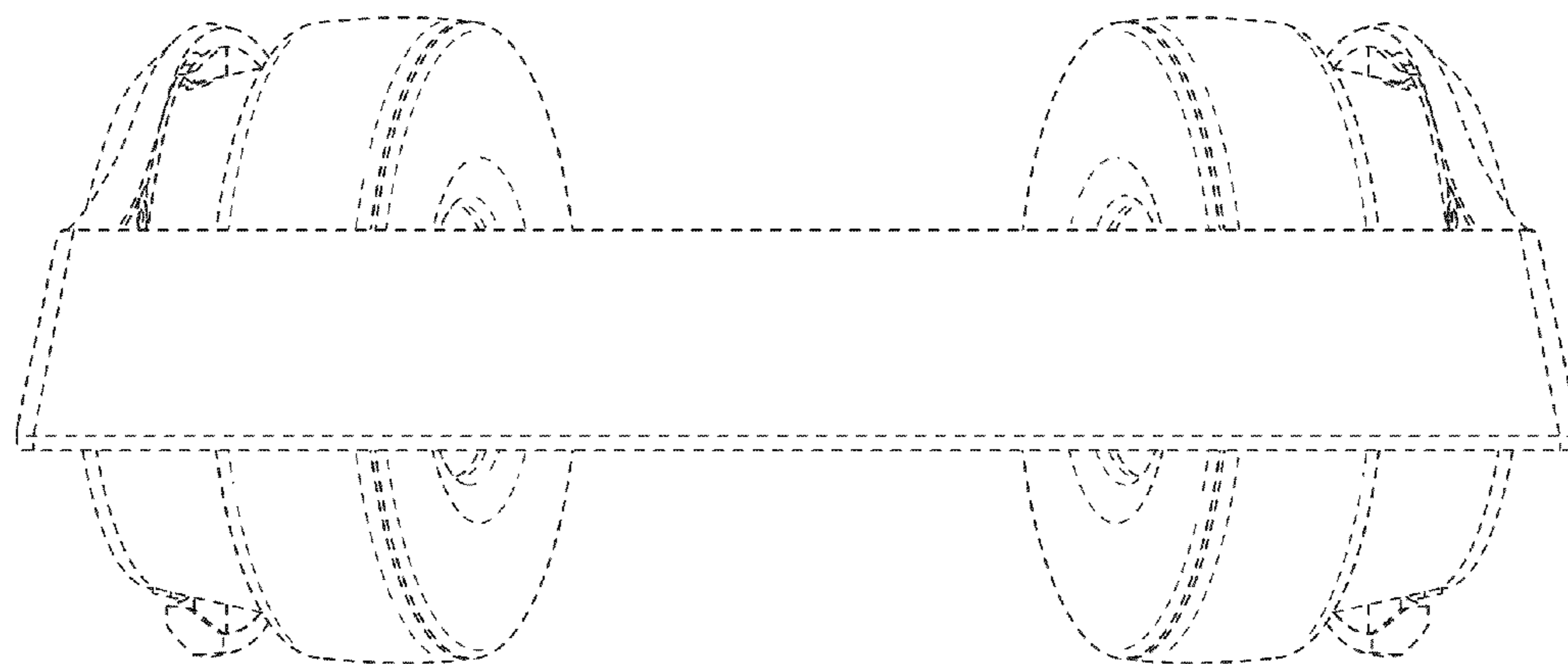


FIG. 13

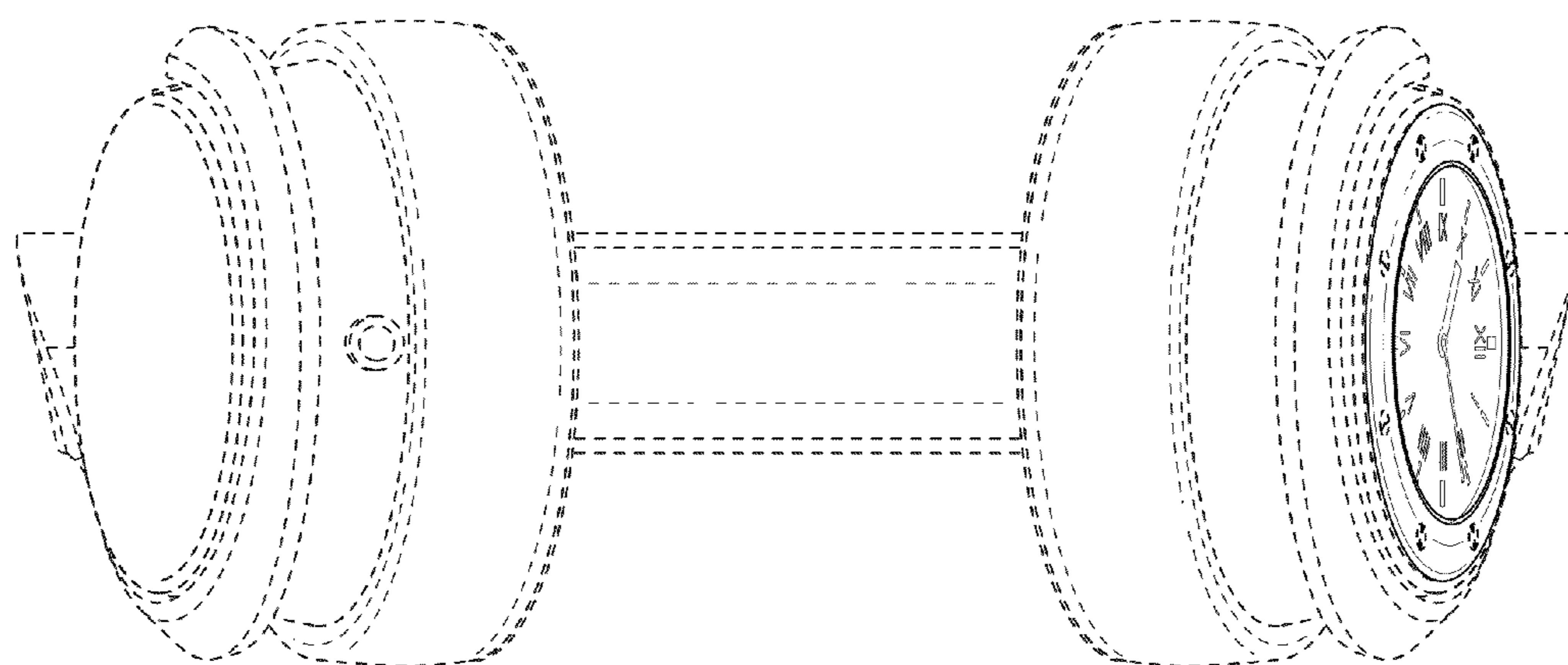


FIG. 14