



US00D759624S

(12) **United States Design Patent**
Byrd et al.

(10) **Patent No.:** **US D759,624 S**
(45) **Date of Patent:** **** Jun. 21, 2016**

- (54) **SOUND BAR**
- (71) Applicant: **Dolby Laboratories Licensing Corporation**, San Francisco, CA (US)
- (72) Inventors: **Grayson Byrd**, San Francisco, CA (US); **Peter Michaelian**, Tappan, NY (US); **Lucas E. Saule**, San Francisco, CA (US); **Donald Burlock**, San Bruno, CA (US); **Vincent Voron**, Menlo Park, CA (US)
- (73) Assignee: **Dolby Laboratories Licensing Corporation**, San Francisco, CA (US)
- (**) Term: **14 Years**
- (21) Appl. No.: **29/504,969**
- (22) Filed: **Oct. 10, 2014**
- (51) **LOC (10) Cl.** **14-01**
- (52) **U.S. Cl.**
USPC **D14/204**
- (58) **Field of Classification Search**
USPC D3/20, 200, 201, 273; D7/601-603, D7/615, 629, 630; D9/414, 420, 423, 432; D14/188, 203.1, 204, 210, 212, 214, D14/221; 181/198, 199; 369/6-12; 381/336, 381/345, 361-364, 386-388
CPC H04R 1/02; H04R 1/06; H04R 1/021; H04R 1/025; H04R 1/026; H04R 1/105; H04R 1/323; H04R 1/345; H04R 1/403; H04R 1/2803; H04R 1/2834; H04R 3/12; H04R 5/02; H04R 2203/12
See application file for complete search history.

- D467,039 S * 12/2002 Fuller D28/77
- D476,717 S * 7/2003 Pitts D23/207
- D546,175 S * 7/2007 Sainz D9/420
- D597,529 S * 8/2009 Tan D14/214
- D641,338 S * 7/2011 Chen D14/209.1
- D672,747 S * 12/2012 Khoo D14/214
- 2012/0300962 A1 * 11/2012 Devoto H04R 5/02 381/300

OTHER PUBLICATIONS

Braven 600 Portable Bluetooth Speaker, announced Jul. 2012, [online], site visited Jan. 7, 2016. Available from Internet, <URL: <http://www.androidpolice.com>>.*

Logitech Z305 Laptop Speaker, announced Jun. 2012, [online], site visited Jan. 27, 2016. Available from Internet, <URL: <http://www.the-gadgeteer.com>>.*

Sonos Playbar Speaker, announced Apr. 2013, [online], site visited Jan. 27, 2016. Available from Internet, <URL: <http://www.joodio.com>>.*

SoloCinema Studio, D. Definitive Technology at <<http://definitivetech.com/products/solocinemastudio>>, available at least as early as Oct. 10, 2014.

* cited by examiner

Primary Examiner — Derrick Holland
Assistant Examiner — Janice Lim
 (74) *Attorney, Agent, or Firm* — Saidman DesignLaw Group, LLC

(57) **CLAIM**
 The ornamental design for a sound bar, as shown and described.

DESCRIPTION

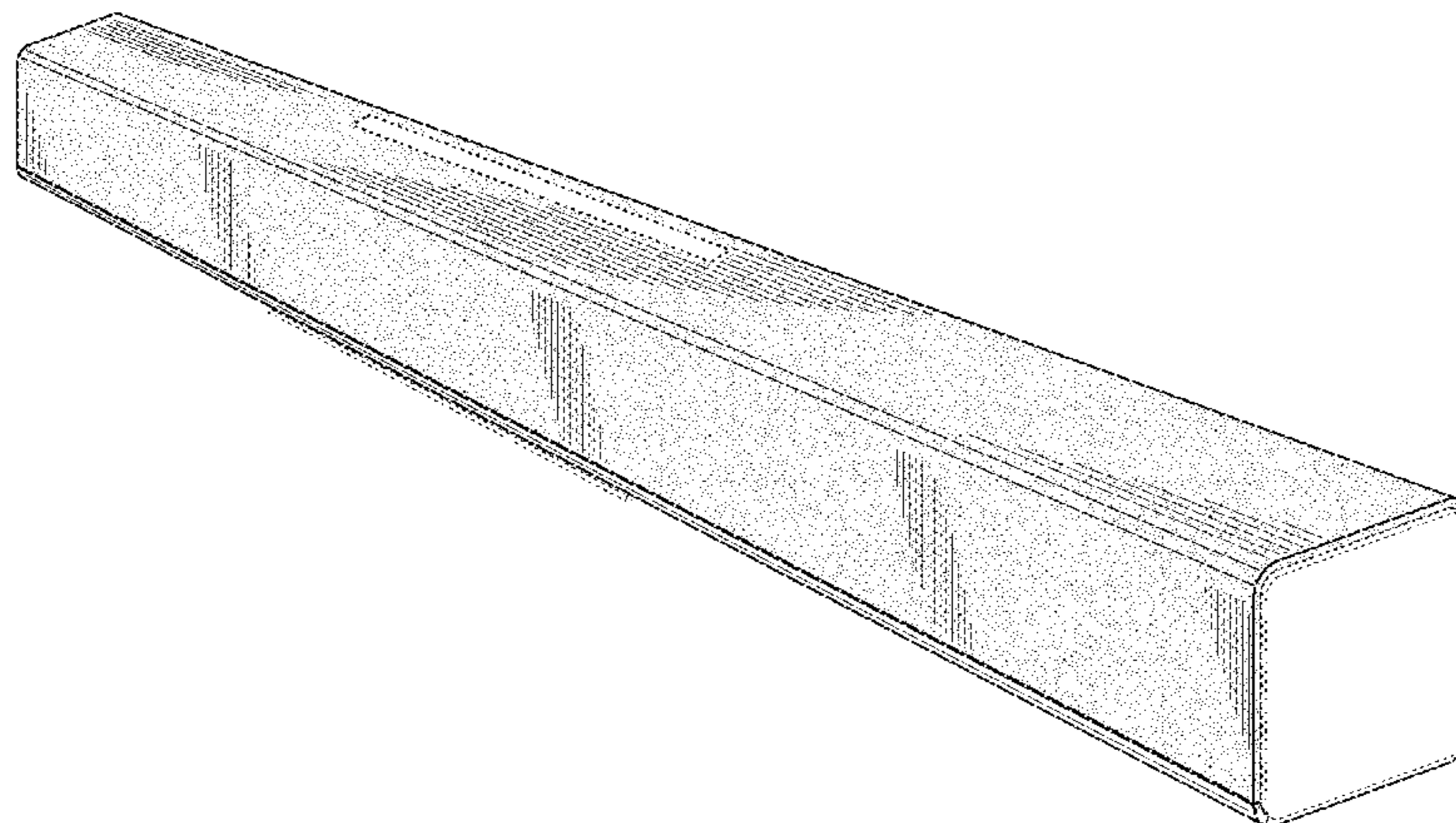
FIG. 1 is a front perspective view of a sound bar showing our new design;
 FIG. 2 is a rear perspective view thereof;
 FIG. 3 is a left side view thereof, the right side being a mirror image thereof;
 FIG. 4 is a front view thereof;
 FIG. 5 is a top view thereof;
 FIG. 6 is a rear view thereof; and,
 FIG. 7 is a bottom view thereof.

The broken lines illustrate structure or features which form no part of the claimed design.
 The line shading represents surface contour no ornamentation or pattern. The dot shading represents contrast, not any particular pattern.

1 Claim, 3 Drawing Sheets

(56) **References Cited**
 U.S. PATENT DOCUMENTS

- D142,415 S * 9/1945 Holland et al. D7/629
- 3,207,257 A * 9/1965 Wilson H04R 1/02 181/147
- 4,258,960 A * 3/1981 Harris F16C 3/026 156/154
- 5,203,129 A * 4/1993 Johnson E06B 9/24 52/202
- D355,193 S * 2/1995 Irby D14/210



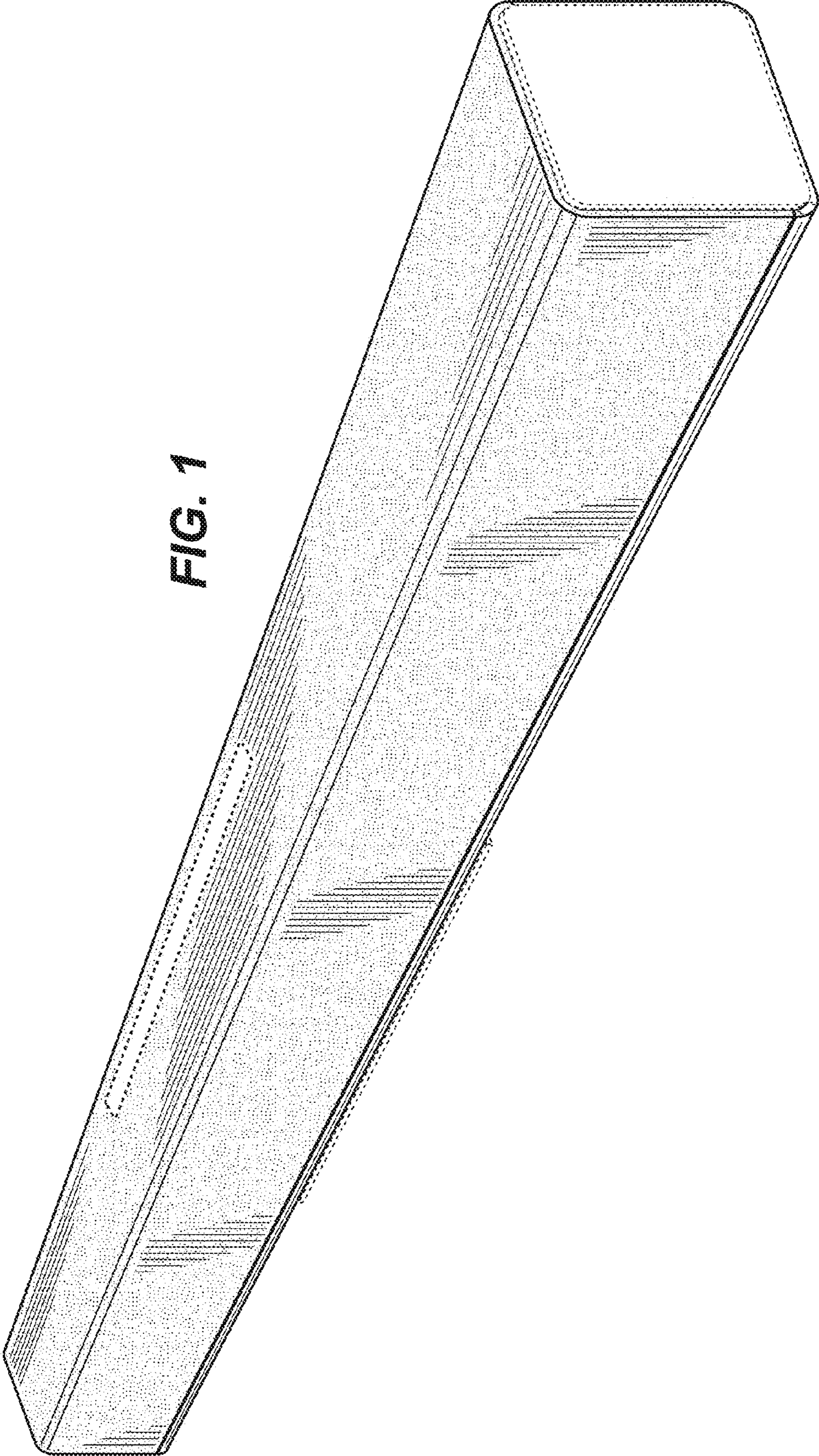
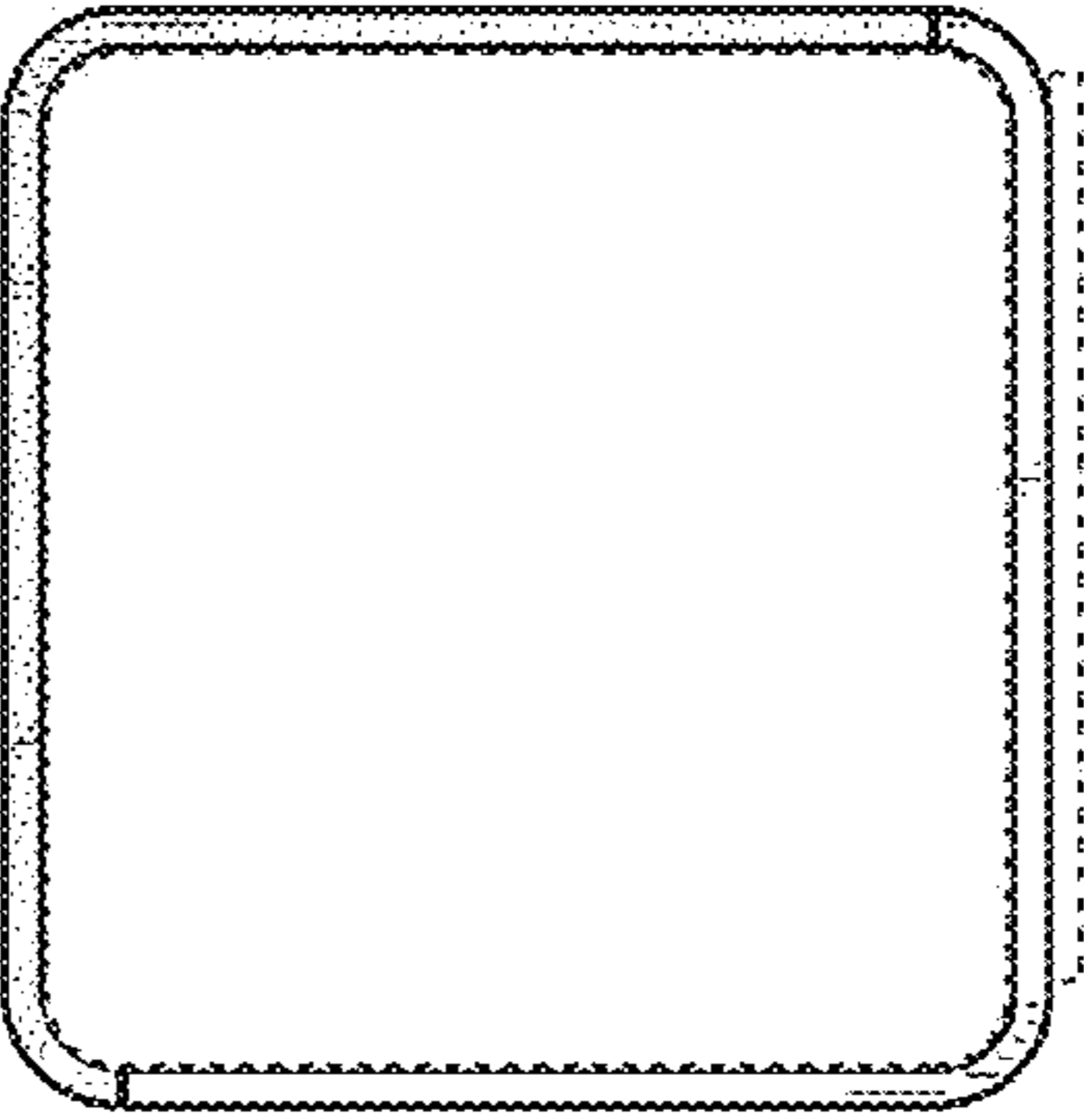
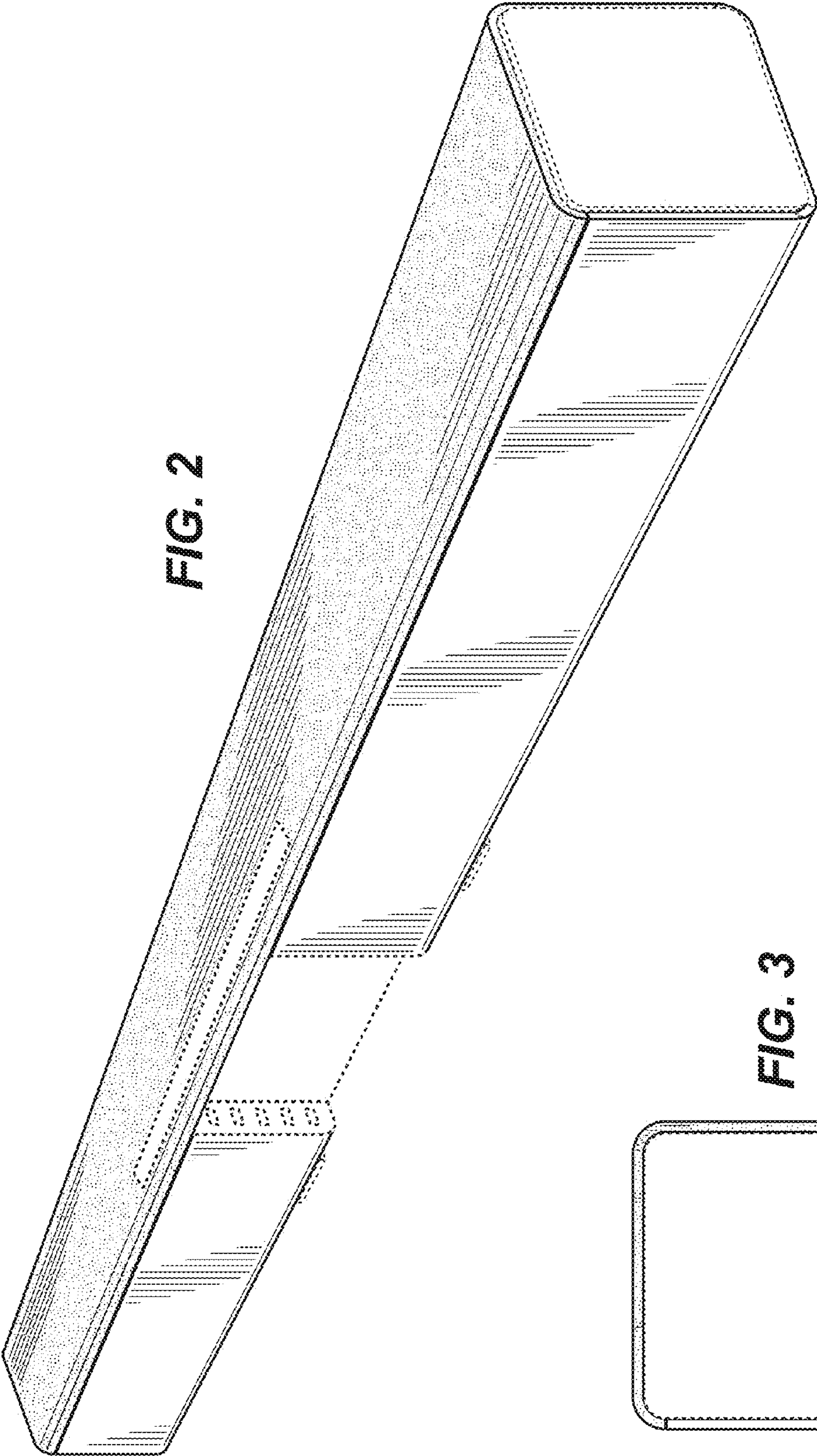


FIG. 1



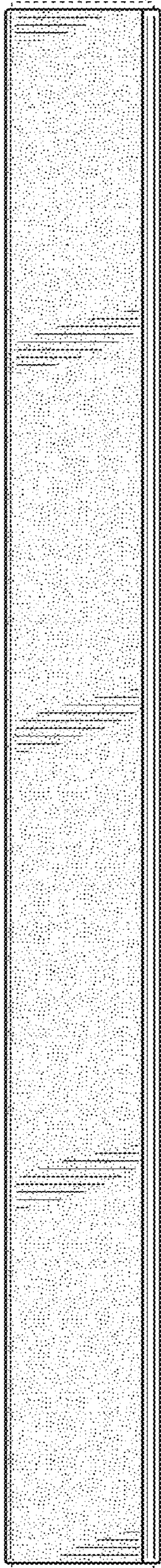


FIG. 4

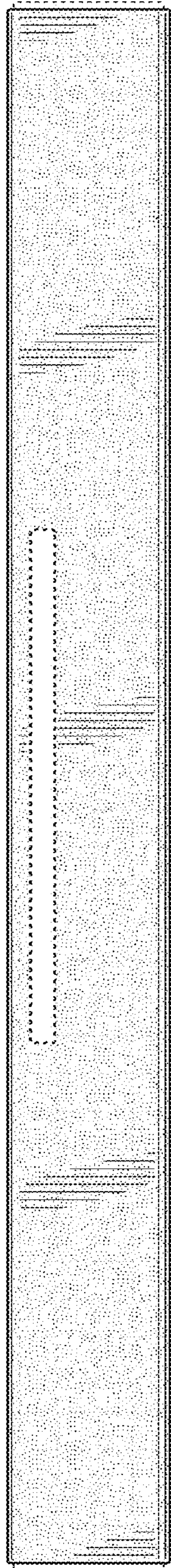


FIG. 5

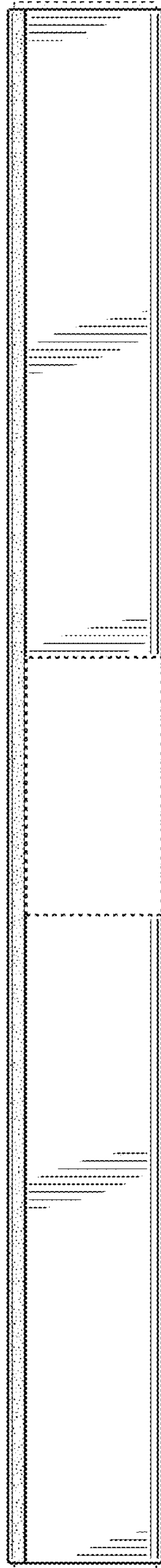


FIG. 6

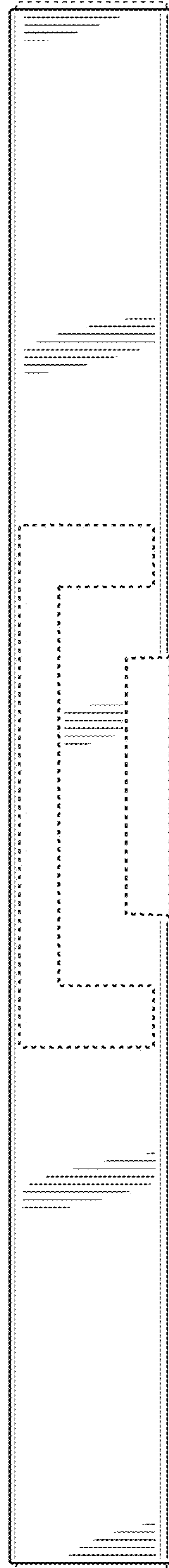


FIG. 7