



US00D759621S

(12) **United States Design Patent**
Maxwell et al.

(10) **Patent No.:** **US D759,621 S**
(45) **Date of Patent:** **** Jun. 21, 2016**

(54) **VIDEO COMMUNICATION SET**

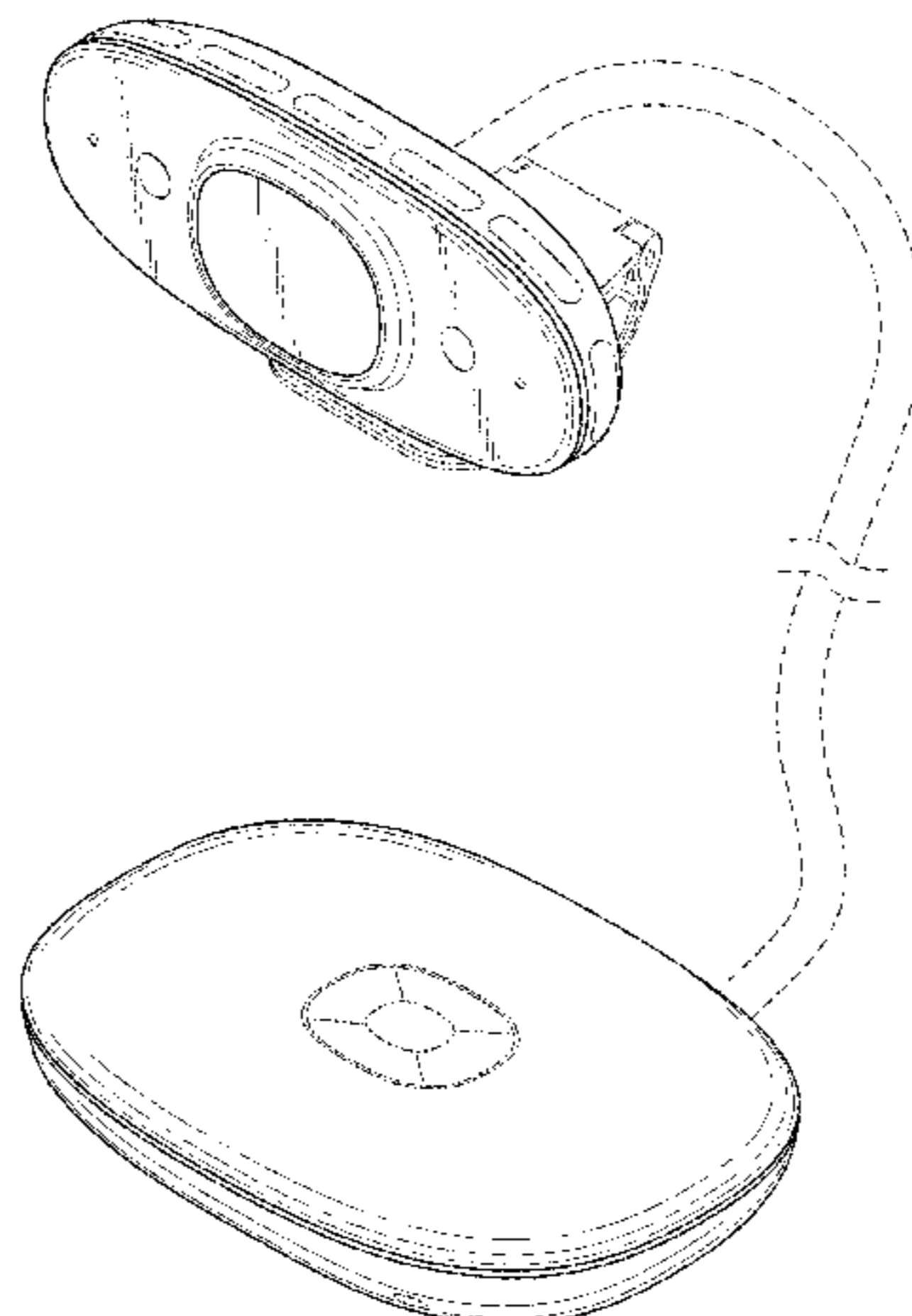
(56)

References Cited

- (71) Applicant: **Sorenson Communications, Inc.**, Salt Lake City, UT (US)
- (72) Inventors: **Conrad Arlo Maxwell**, Herriman, UT (US); **Eric V. Winsor**, West Jordan, UT (US); **Mark David Nelson**, Herriman, UT (US); **Merle L. Walker**, Sandy, UT (US); **Brent Carlen Giles**, Salt Lake City, UT (US); **Elie Mathias Monge**, San Francisco, CA (US); **Sean Patrick Murphy**, San Francisco, CA (US); **Shannon Colleen Fong**, San Francisco, CA (US); **Alice Viola Pintus**, Milan (IT); **Thomas Mitchell Dair**, Lafayette, CA (US)
- (73) Assignee: **Sorenson Communications, Inc.**, Salt Lake City, UT (US)
- (**) Term: **14 Years**
- (21) Appl. No.: **29/518,645**
- (22) Filed: **Feb. 25, 2015**
- (51) **LOC (10) Cl.** **14-03**
- (52) **U.S. Cl.**
USPC **D14/130; D16/208**
- (58) **Field of Classification Search**
USPC D14/126, 129, 130, 140, 140.2, 142, D14/144, 145, 149, 151, 356-358, 362, 365, D14/383-388, 467, 502; D24/127, 128, D24/158, 160, 161, 185, 186; D13/107, D13/108; D16/202, 203, 208, 241, 242
CPC H04M 1/274525; H04M 1/27455; H04M 1/02; H04M 1/0202; H04M 1/0264; H04M 1/0266; H04M 1/0295; H04M 1/72527; H04M 2201/50; H04M 2250/20; H04N 1/00106; H04N 1/00302; H04N 1/00305; H04N 1/00307; H04N 2007/145; H04N 5/2253; H04N 7/14; H04N 7/142
See application file for complete search history.

U.S. PATENT DOCUMENTS

D421,619	S	*	3/2000	Eto	D16/208
D534,509	S	*	1/2007	Rashid	D14/126
D548,763	S	*	8/2007	Boris	D16/202
D585,395	S		1/2009	Cho et al.		
D595,736	S	*	7/2009	Son	D14/502
D600,730	S		9/2009	Su		
D611,408	S	*	3/2010	Ferber	D13/108
7,736,071	B2	*	6/2010	Wahl G03B 17/561	348/373
D626,099	S		10/2010	Huang		
D627,813	S	*	11/2010	Chen	D16/202
D629,031	S		12/2010	Su et al.		
D630,505	S	*	1/2011	Westemeyer	D9/426
D631,079	S	*	1/2011	Tzeng	D16/202
D631,497	S	*	1/2011	Han	D16/202
D632,719	S	*	2/2011	Tsai	D16/202
D635,940	S		4/2011	Cho et al.		
D636,371	S	*	4/2011	Spielvogel	D14/142
D637,951	S	*	5/2011	Perez	D13/108
D640,692	S	*	6/2011	Waisman-Diamond	D14/240
D641,388	S	*	7/2011	Shih	D16/202
D641,770	S	*	7/2011	Hoehn	D16/202
D644,222	S	*	8/2011	Woo	D14/365
D645,466	S	*	9/2011	Woo	D14/365
D647,866	S		11/2011	Chen		
D649,945	S		12/2011	Kim et al.		
D649,946	S		12/2011	Do et al.		
D651,229	S		12/2011	Tan et al.		
D651,230	S		12/2011	Tan et al.		
D655,263	S		3/2012	Tsai		
D659,690	S	*	5/2012	Huang	D14/138 G
D662,532	S	*	6/2012	Chang	D16/202
D664,579	S	*	7/2012	Tzeng	D16/202
D665,439	S	*	8/2012	Khamsepoor	D16/202
D675,660	S		2/2013	Su		
D676,005	S		2/2013	Wood et al.		
D680,569	S	*	4/2013	Lee	D16/202
D685,355	S	*	7/2013	Holleman	D14/240
8,475,059	B2	*	7/2013	Khamsepoor G03B 17/04	348/373
D688,725	S	*	8/2013	Tsai	D16/242
D694,205	S		11/2013	Lim et al.		
8,593,567	B2	*	11/2013	Xiao H04N 5/2251	348/373
D708,249	S	*	7/2014	Kim	D16/218
D709,117	S	*	7/2014	Gan	D16/202
D719,153	S		12/2014	Lim et al.		
D725,171	S	*	3/2015	Mita	D16/202



D745,586 S * 12/2015 Chou D16/202
 9,217,911 B1 * 12/2015 Von Winsor G03B 17/561
 2003/0227563 A1 * 12/2003 Ting H04N 5/2252
 348/375

* cited by examiner

Primary Examiner — Susan Bennett Hattan

Assistant Examiner — Marie Fast Horse

(74) *Attorney, Agent, or Firm* — TraskBritt

(57)

CLAIM

The ornamental design for a video communication set, substantially as shown and described.

DESCRIPTION

FIG. 1 is a perspective view of a video communication set showing our new design wherein the set includes a camera and a main processing unit (hereinafter “MPU”);

FIG. 2 is a perspective view of a camera assembly of the video communication set of FIG. 1, shown separated from the set for clarity of disclosure;

FIG. 3 is a front view of the camera assembly of the video communication set of FIG. 1, shown separated from the set for clarity of disclosure;

FIG. 4 is a back view of the camera assembly of the video communication set of FIG. 1, shown separated from the set for clarity of disclosure;

FIG. 5 is a left side view of the camera assembly of the video communication set of FIG. 1, shown separated from the set for clarity of disclosure;

FIG. 6 is a right side view of the camera assembly of the video communication set of FIG. 1, shown separated from the set for clarity of disclosure;

FIG. 7 is a top view of the camera assembly of the video communication set of FIG. 1, shown separated from the set for clarity of disclosure;

FIG. 8 is a bottom view of the camera assembly of the video communication set of FIG. 1, shown separated from the set for clarity of disclosure;

FIG. 9 is a perspective view of the MPU of the video communication set of FIG. 1, shown separated from the set for clarity of disclosure;

FIG. 10 is a top view of the MPU of the video communication set of FIG. 1, shown separated from the set for clarity of disclosure;

FIG. 11 is a bottom view of the MPU of the video communication set of FIG. 1, shown separated from the set for clarity of disclosure;

FIG. 12 is a right side view of the MPU of the video communication set of FIG. 1, shown separated from the set for clarity of disclosure;

FIG. 13 is a left side view of the MPU of the video communication set of FIG. 1, shown separated from the set for clarity of disclosure;

FIG. 14 is a front view of the MPU of the video communication set of FIG. 1, shown separated from the set for clarity of disclosure;

FIG. 15 is a back view of the MPU of the video communication set of FIG. 1, shown separated from the set for clarity of disclosure; and,

FIG. 16 is a view of the camera assembly and the MPU of the video communication set of FIG. 1 showing an additional environment of being mounted on a top of an electronic display device.

The broken lines in the drawings consisting of uniform dashes depict an unclaimed connecting cord and are for environmental purposes only and form no part of the claimed design. The unclaimed environmental connecting cord in FIG. 1 is shown with a symbolic break in its length. The appearance of any portion of the article in between the broken lines, including the broken lines themselves, forms no part of the claimed design. The broken lines consisting of a long dash and two short dashes seen on the surfaces of the camera and the MPU depict portions of the camera and the MPU that form no part of the claim. The remaining broken lines seen in FIG. 16 consisting of a long dash and two short dashes showing the monitor and table depict environmental subject matter only and form no part of the claim.

1 Claim, 8 Drawing Sheets

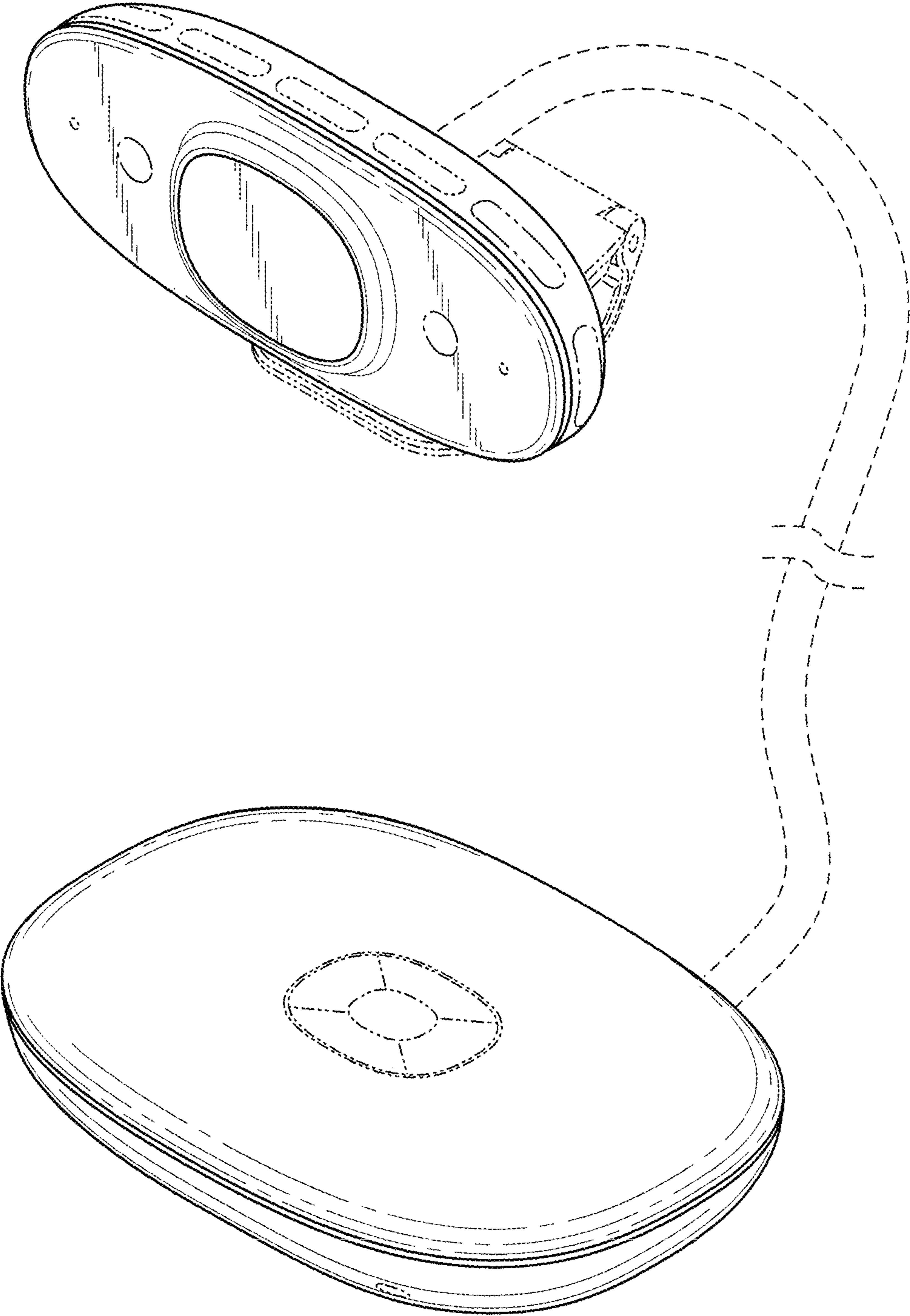


FIG. 1

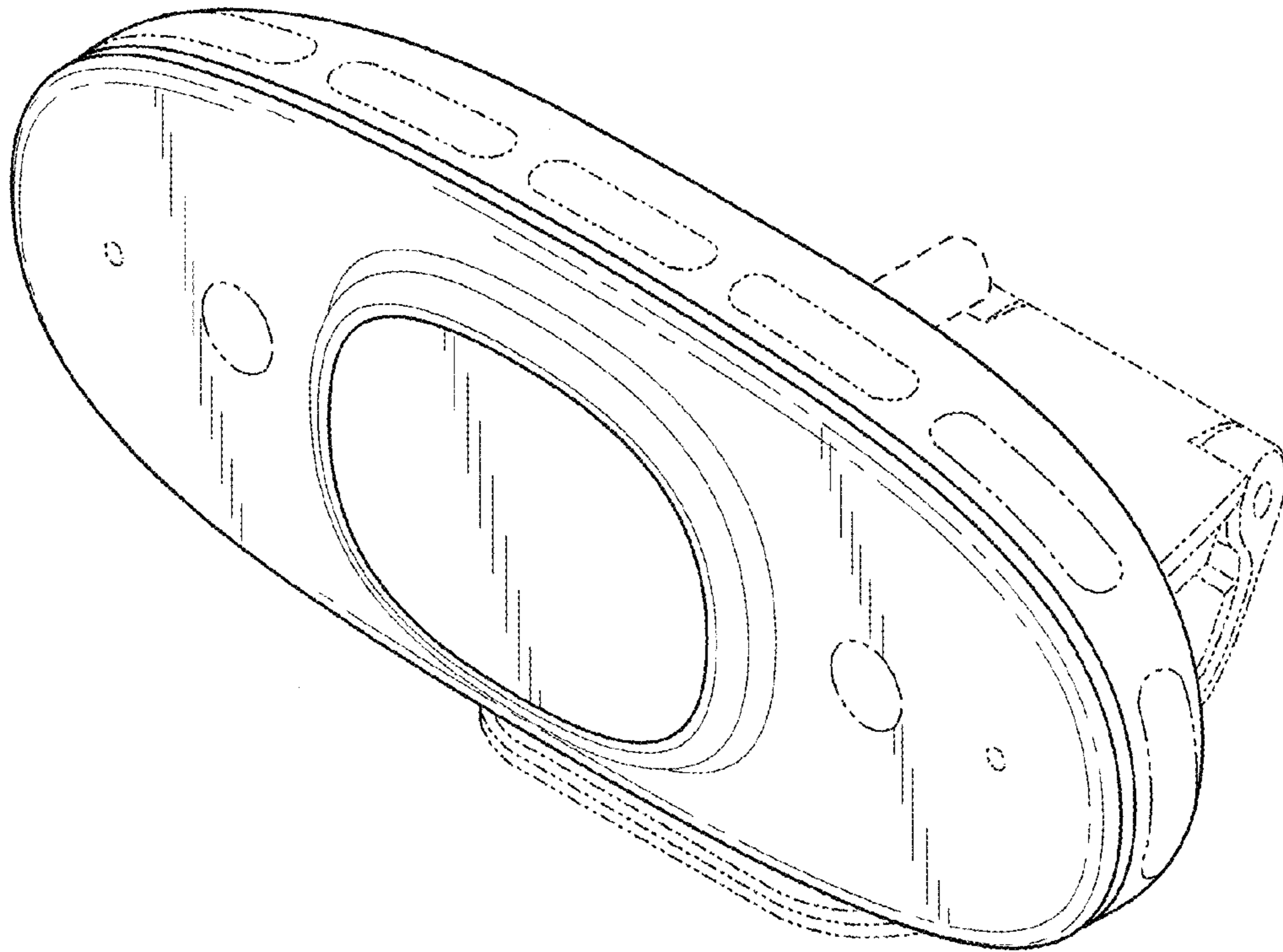


FIG. 2

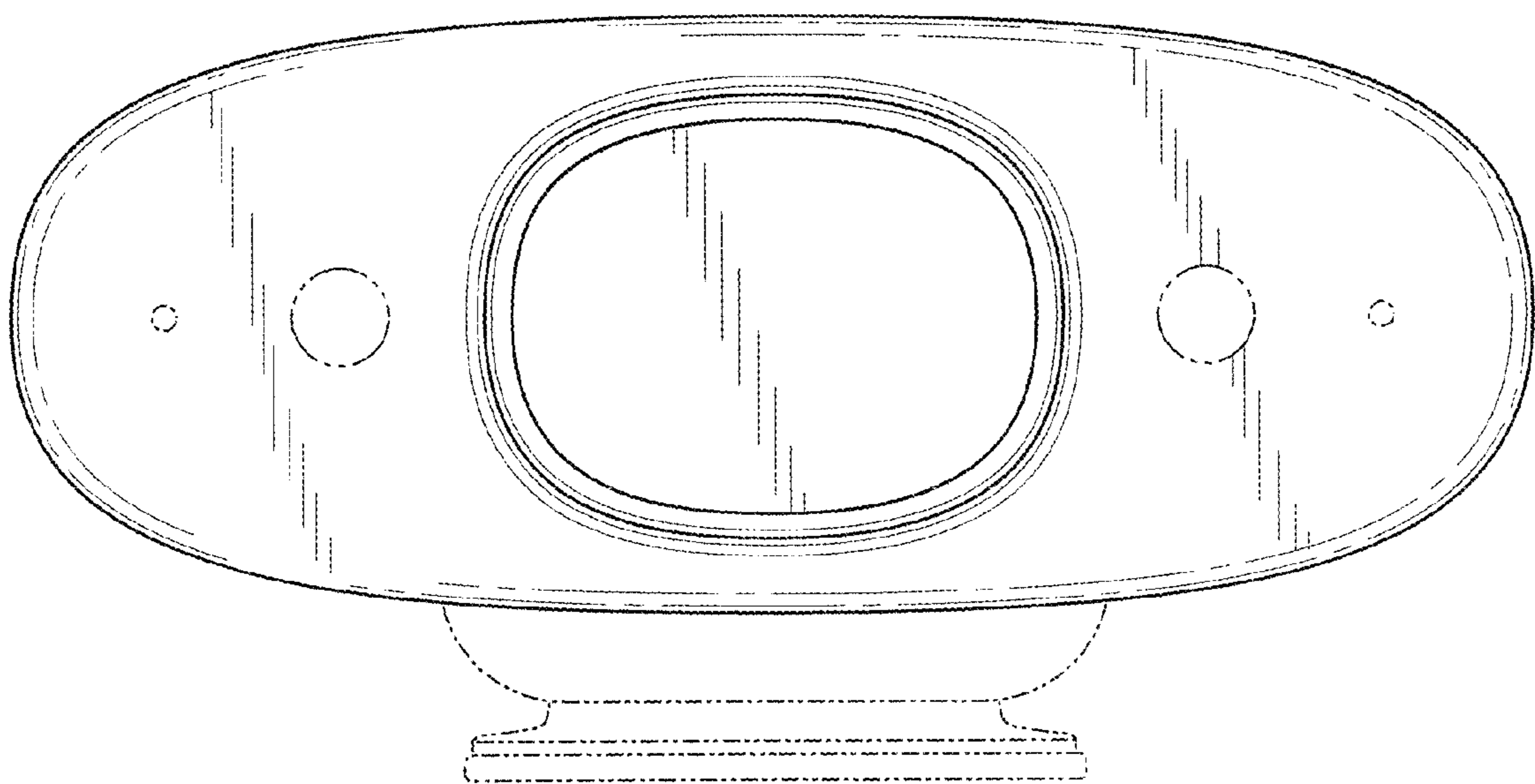


FIG. 3

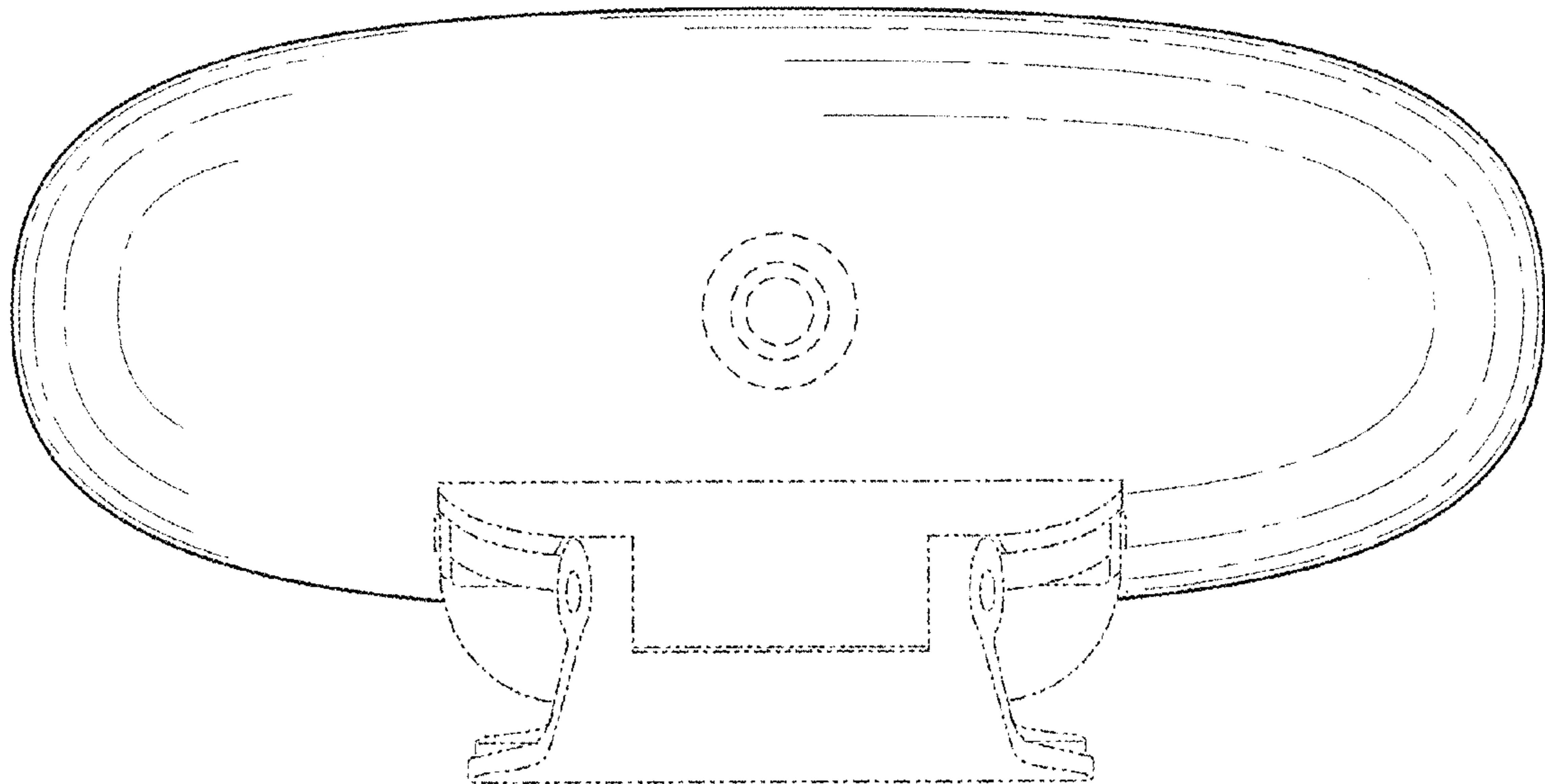


FIG. 4

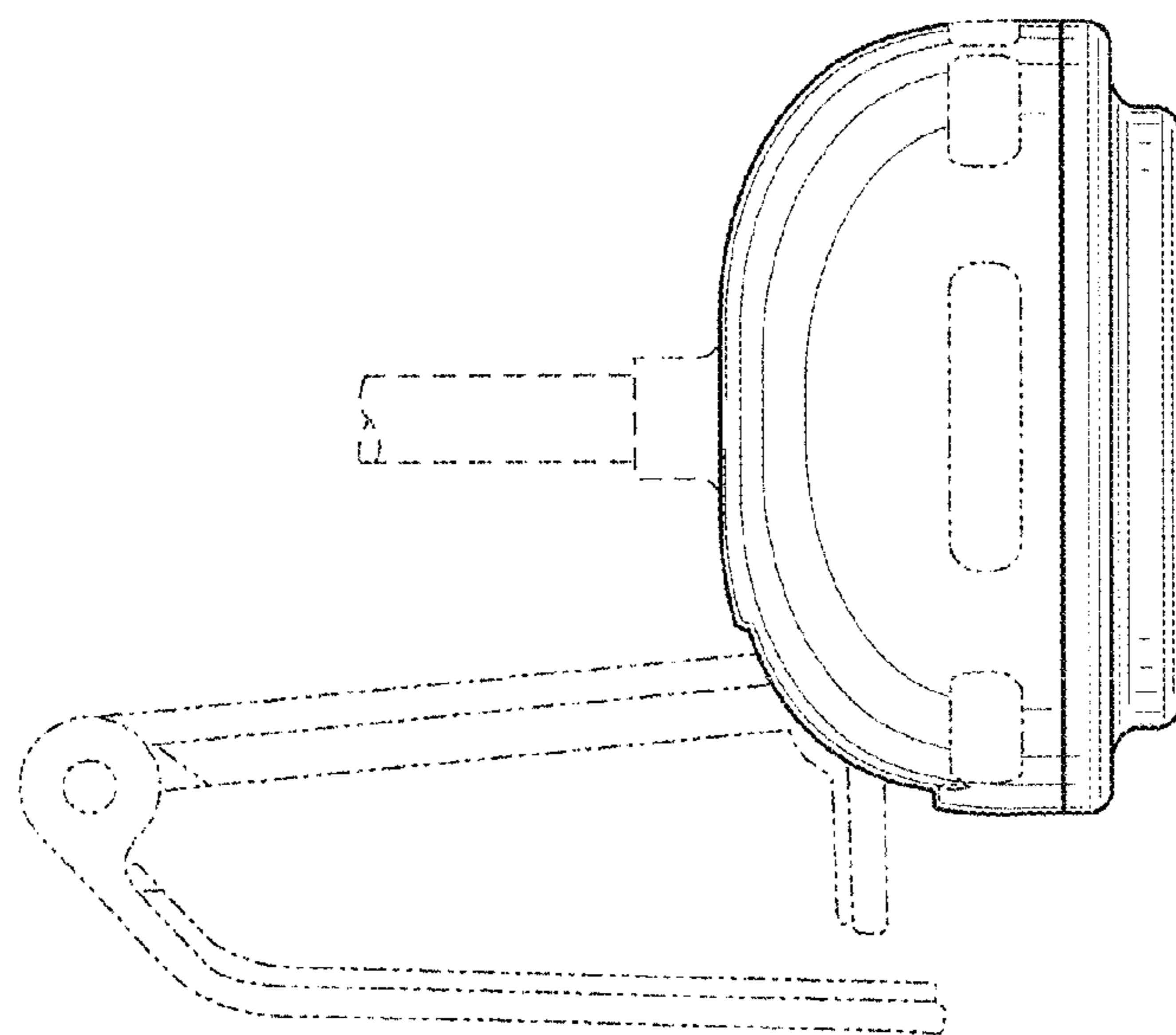


FIG. 5

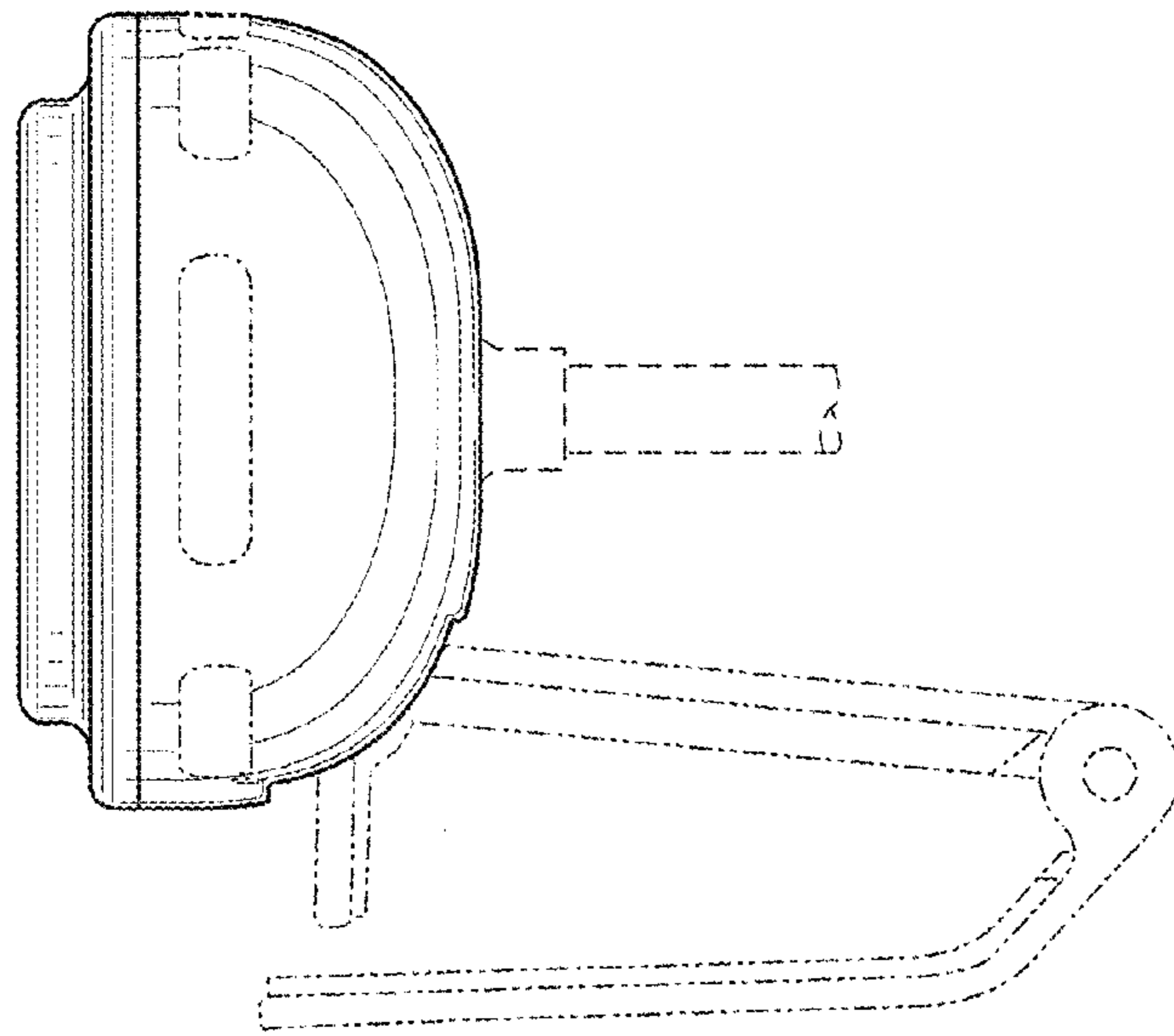


FIG. 6

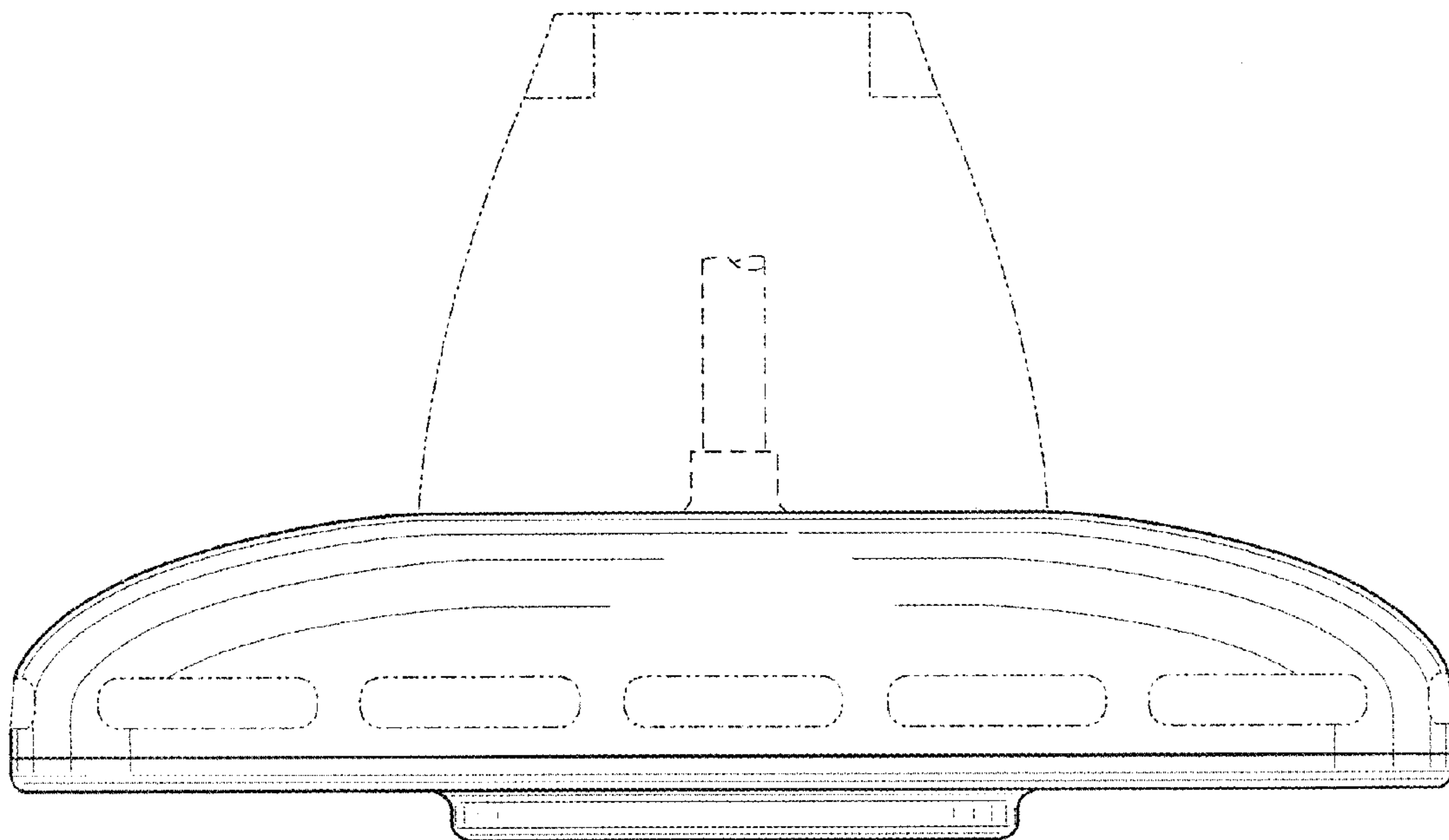


FIG. 7

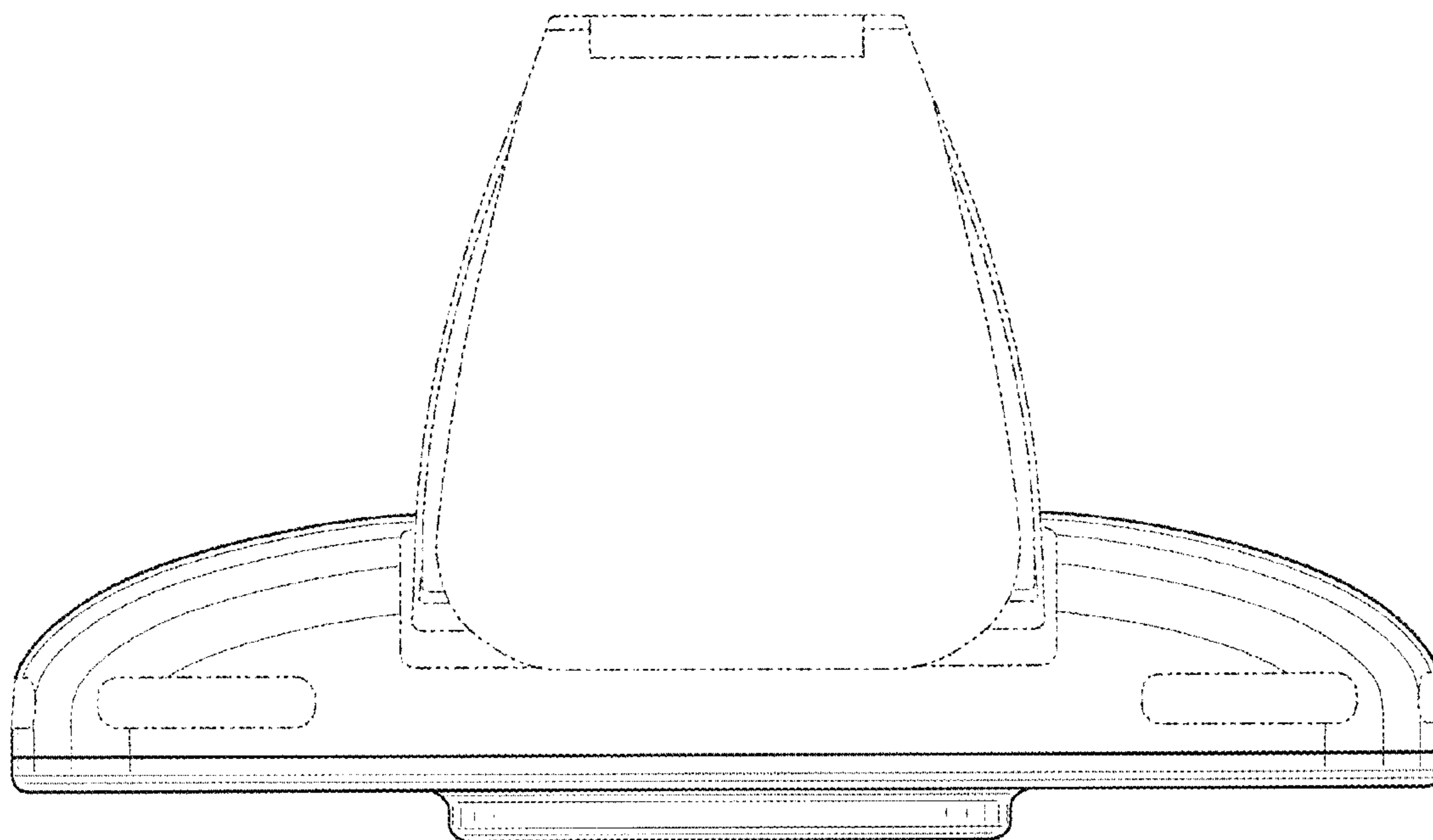


FIG. 8

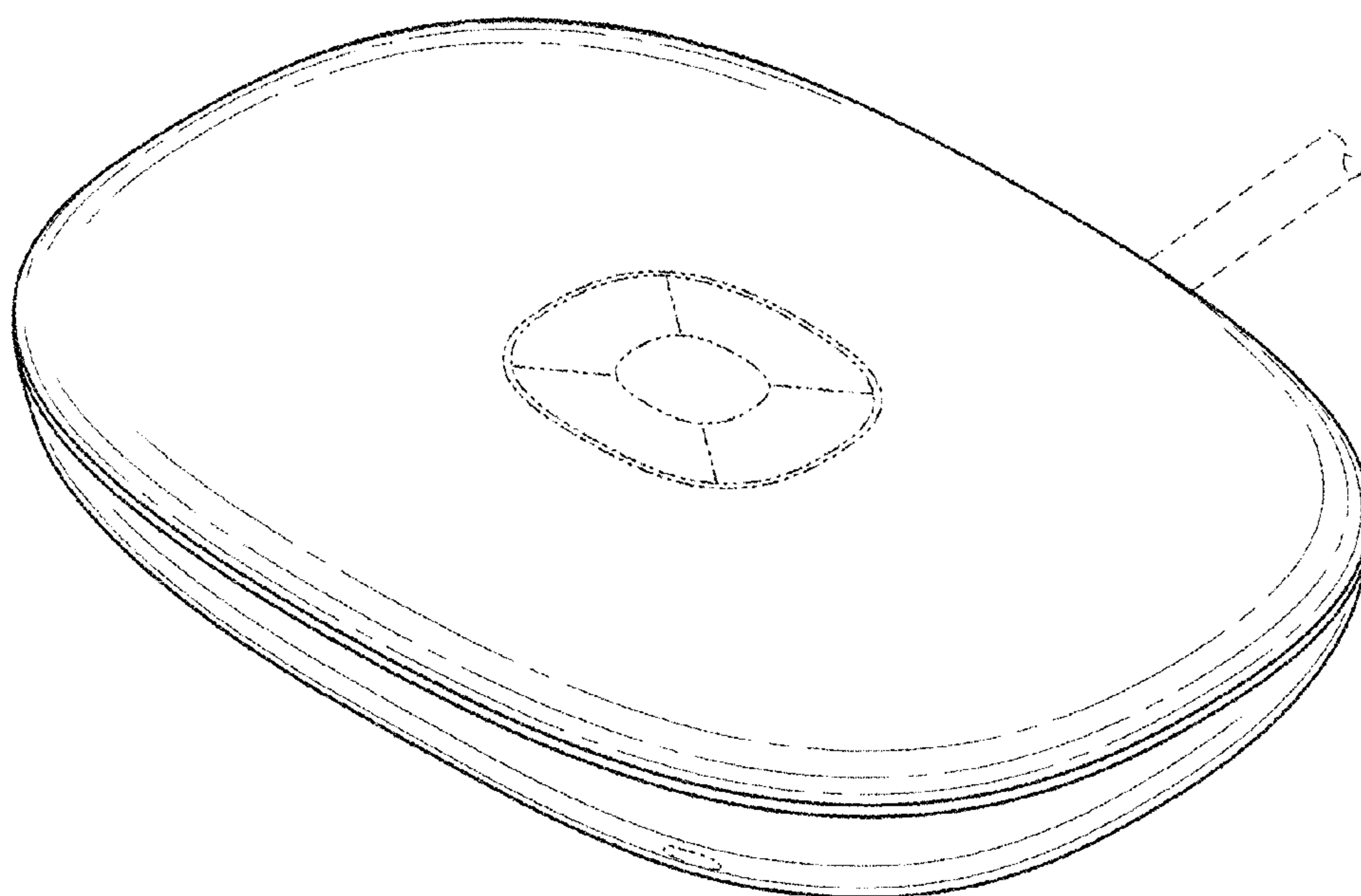


FIG. 9

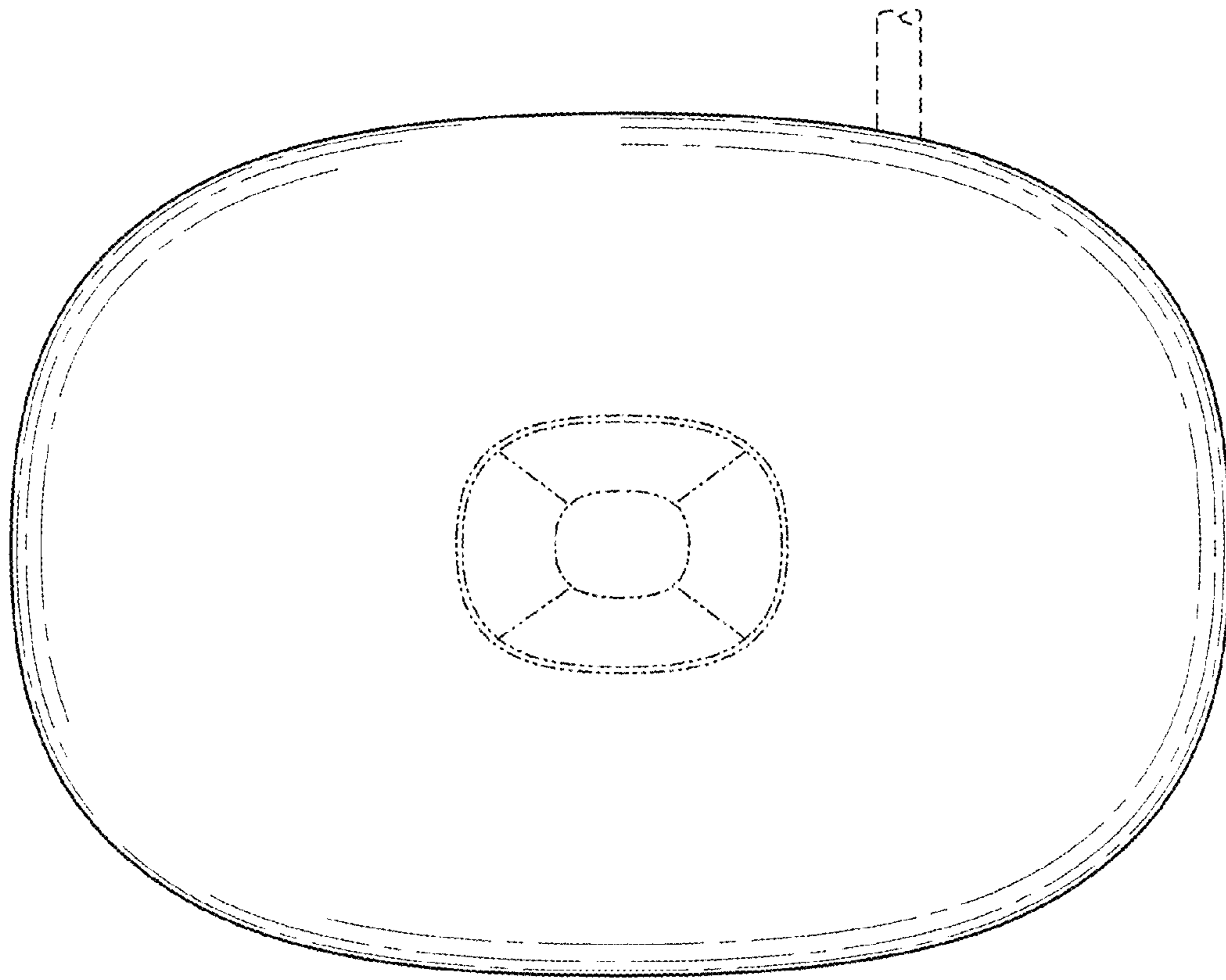


FIG. 10

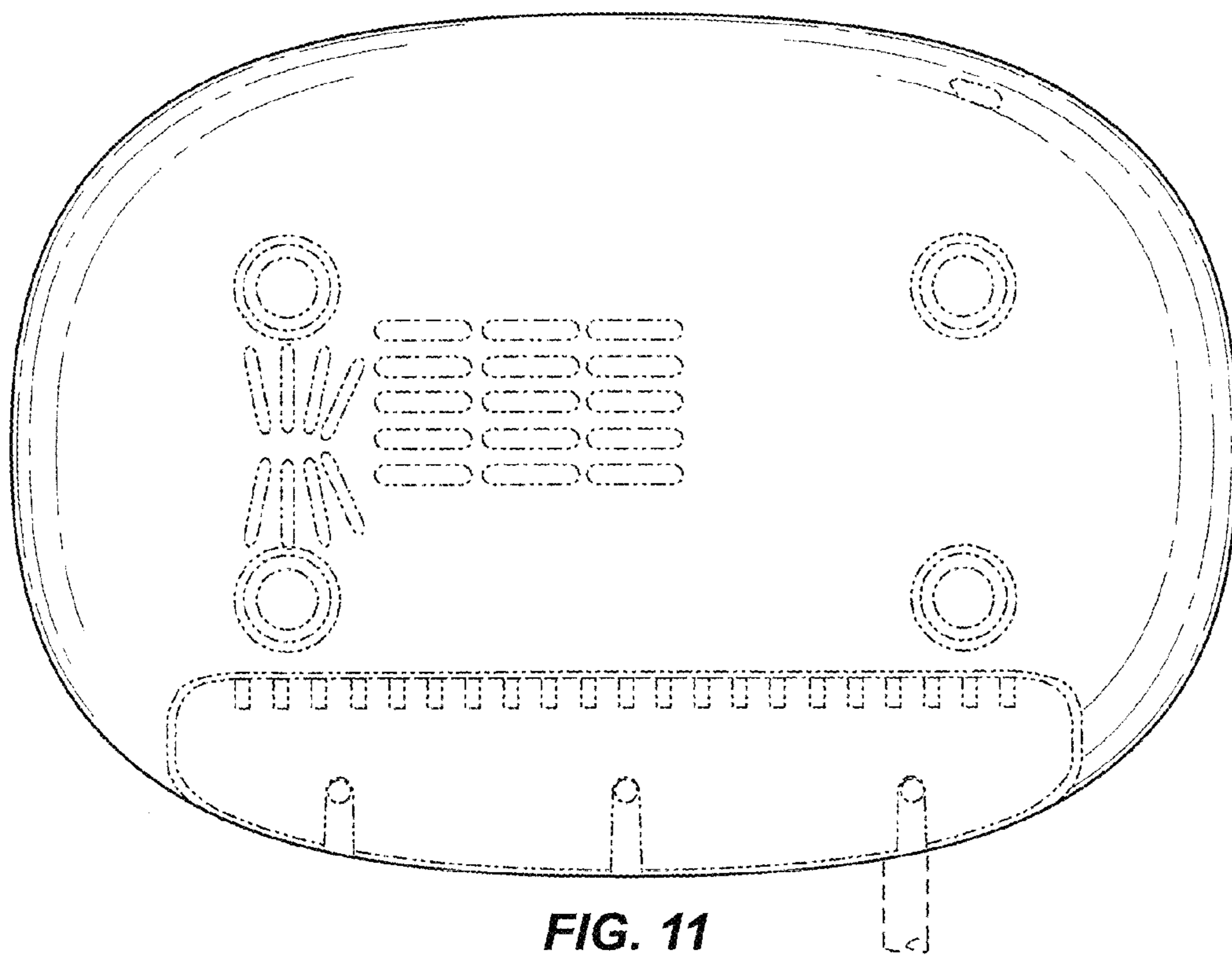


FIG. 11

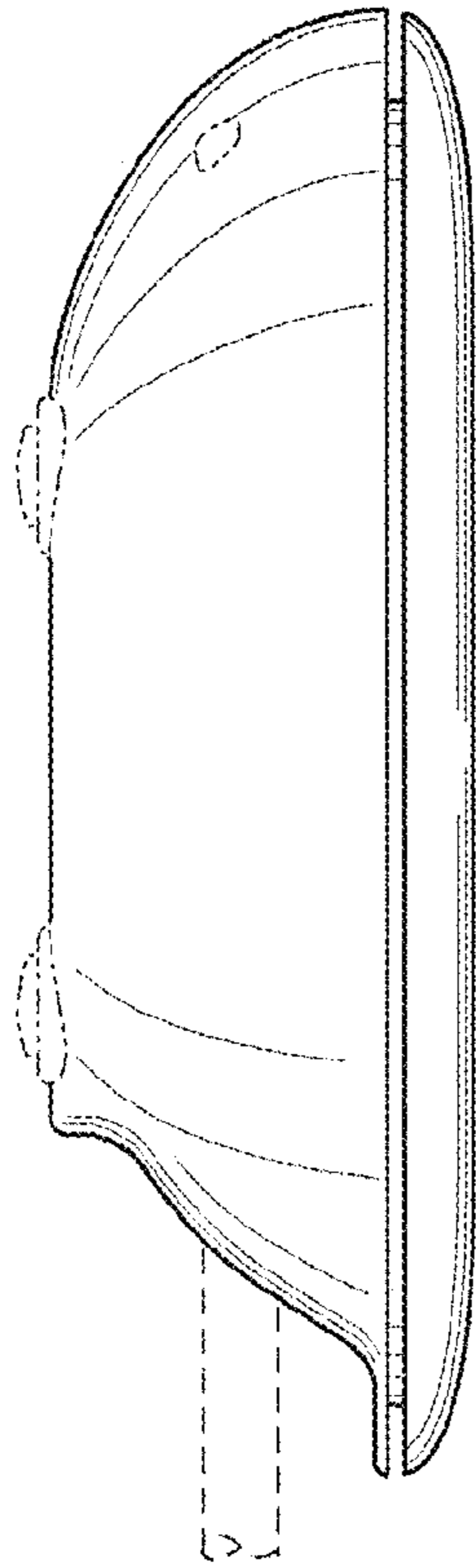


FIG. 12

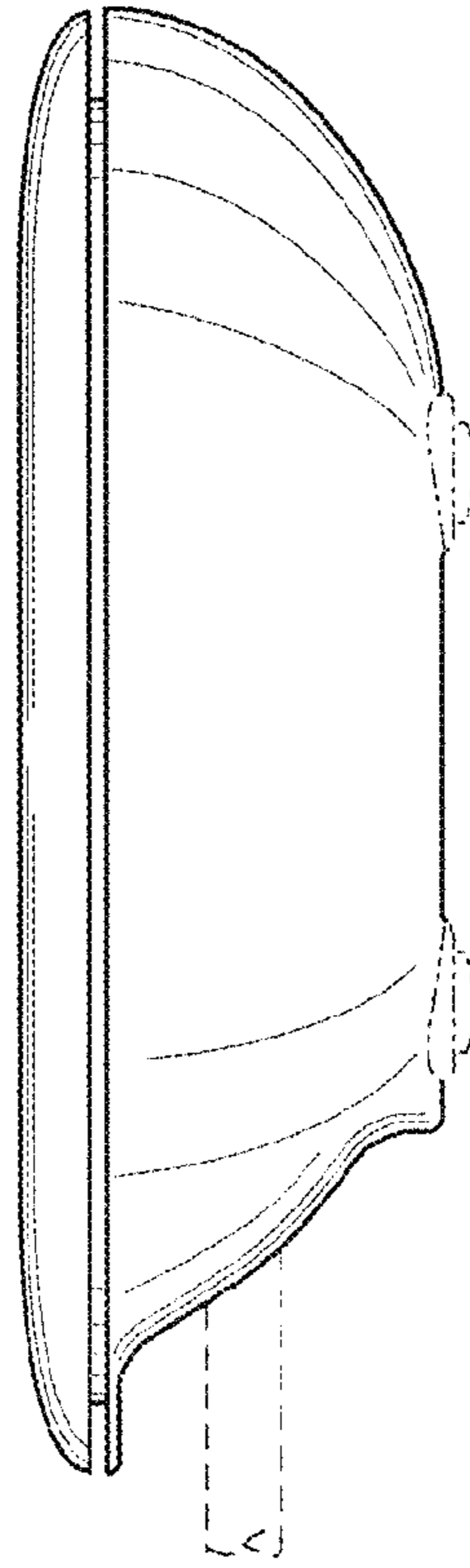


FIG. 13

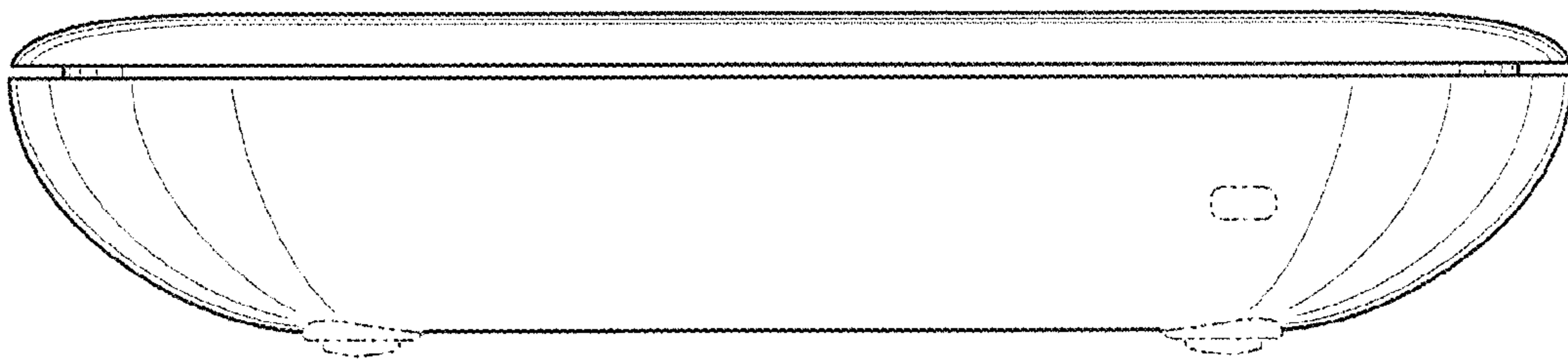


FIG. 14

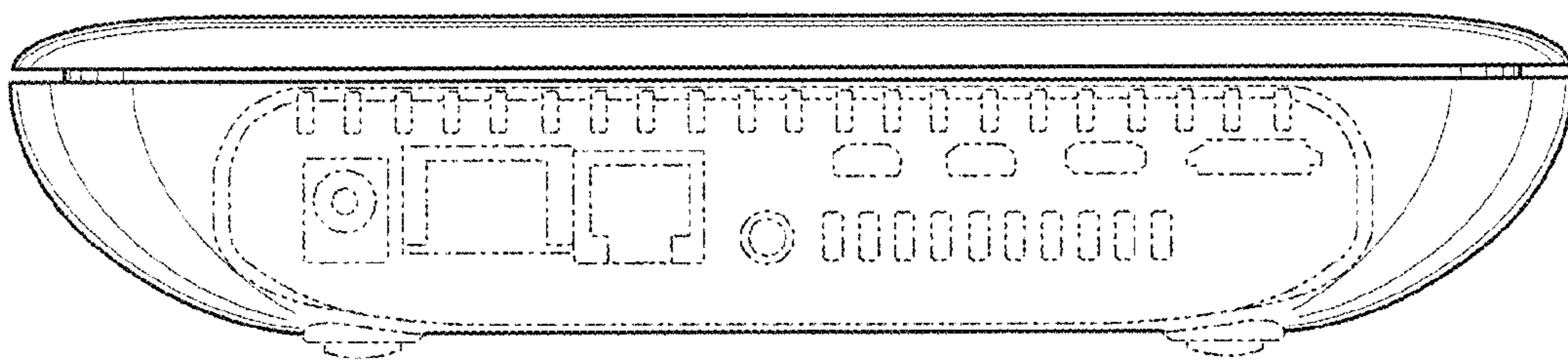


FIG. 15

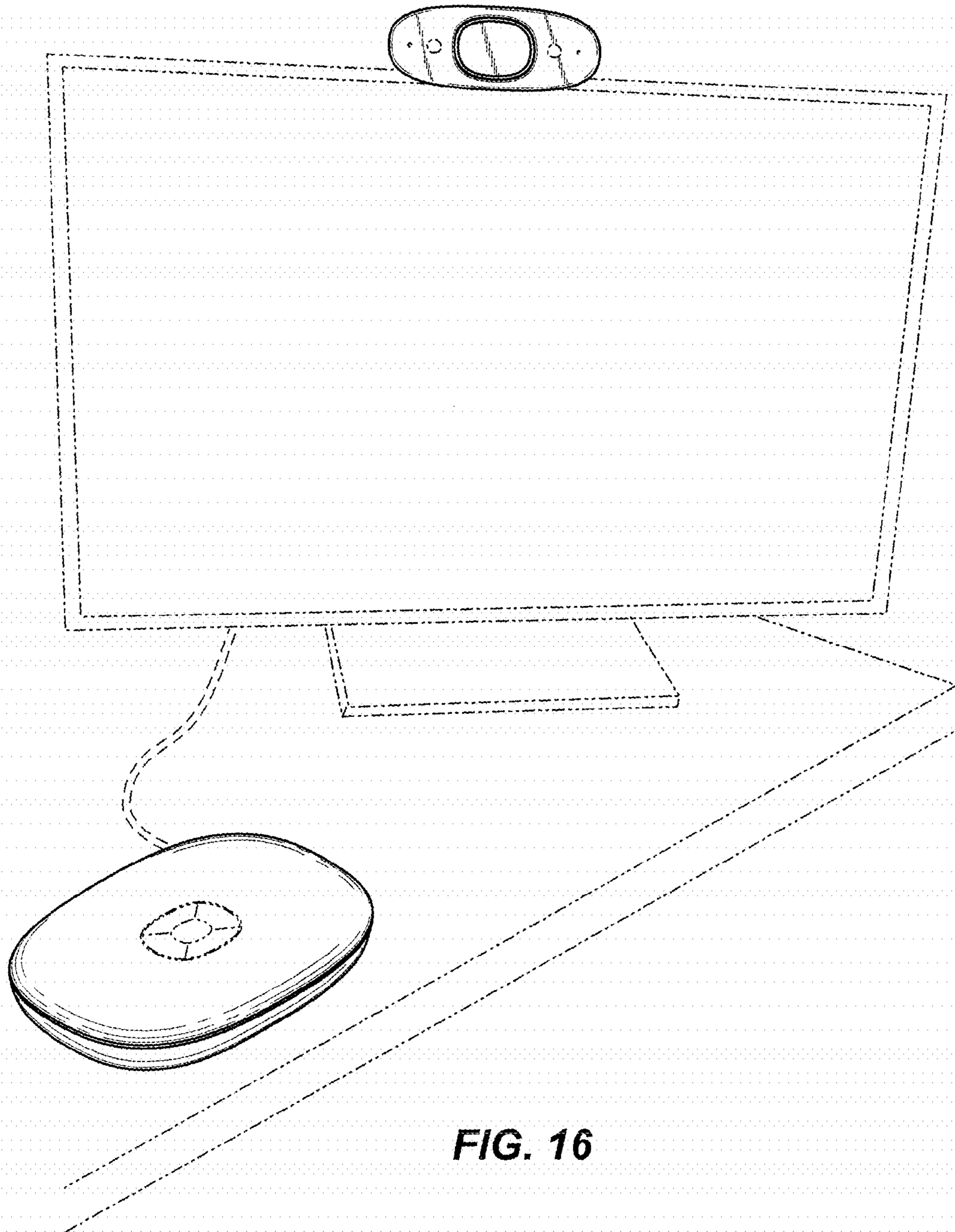


FIG. 16

UNITED STATES PATENT AND TRADEMARK OFFICE
CERTIFICATE OF CORRECTION

PATENT NO. : D759,621 S
APPLICATION NO. : 29/518645
DATED : June 21, 2016
INVENTOR(S) : Conrad Arlo Maxwell et al.

Page 1 of 1

It is certified that error appears in the above-identified patent and that said Letters Patent is hereby corrected as shown below:

On the Title Page

In ITEM (54) change "VIDEO COMMUNICATION SET" to --A VIDEO COMMUNICATION SET--

-

Signed and Sealed this
Twenty-third Day of May, 2017



Michelle K. Lee
Director of the United States Patent and Trademark Office