



US00D759611S

(12) **United States Design Patent**  
**Kim et al.**

(10) **Patent No.:** **US D759,611 S**  
(45) **Date of Patent:** **\*\* Jun. 21, 2016**

(54) **TV RECEIVER**

(71) Applicant: **LG ELECTRONICS INC.**, Seoul (KR)

(72) Inventors: **Mikyung Kim**, Seoul (KR); **Sangwon Yoon**, Seoul (KR); **Hyuntae Ahn**, Seoul (KR); **Junghoon Lee**, Seoul (KR)

(73) Assignee: **LG ELECTRONICS INC.**, Seoul (KR)

(\*\*) Term: **15 Years**

(21) Appl. No.: **29/529,219**

(22) Filed: **Jun. 4, 2015**

(30) **Foreign Application Priority Data**

Dec. 5, 2014 (KR) ..... 30-2014-0059301

(51) **LOC (10) Cl.** ..... **14-03**

(52) **U.S. Cl.**  
USPC ..... **D14/126**

(58) **Field of Classification Search**

USPC ..... D14/125-134, 239, 371, 136, 374-377,  
D14/440, 450, 448, 336, 342, 159; 312/7.2;  
348/836, 838, 180, 184, 325, 739;  
248/917-924, 465; 345/104, 133, 156,  
345/168, 87, 173; D21/329, 515, 577, 622,  
D21/333, 433, 448, 452, 450, 331, 505;  
D10/15, 26; 446/484, 175, 356;  
D6/477, 479, 300; D20/10, 19, 39  
CPC ... G06F 1/1601; G06F 1/1643; H05K 5/0004;  
H05K 5/0017; H05K 5/02; H05K 5/0217;  
H04N 13/0459

See application file for complete search history.

(56) **References Cited**

**U.S. PATENT DOCUMENTS**

D572,214 S \* 7/2008 Lewis ..... D14/126  
D661,123 S \* 6/2012 Curbbun ..... D20/10  
D712,367 S \* 9/2014 Park ..... D14/126  
D719,120 S \* 12/2014 Park ..... D14/126  
D736,168 S \* 8/2015 Kim ..... D14/126  
D736,169 S \* 8/2015 Kim ..... D14/126  
D737,235 S \* 8/2015 Kim ..... D14/126  
D744,446 S \* 12/2015 Kim ..... D14/126

\* cited by examiner

*Primary Examiner* — Raphael Barkai

(74) *Attorney, Agent, or Firm* — Birch, Stewart, Kolasch & Birch, LLP

(57) **CLAIM**

The ornamental design for a TV receiver, as shown and described.

**DESCRIPTION**

FIG. 1 is a front, right side, perspective view of a TV receiver with its 16:9 aspect ratio display showing our new design; FIG. 2 is a front view with its 16:9 aspect ratio display thereof; FIG. 3 is a rear view with its 16:9 aspect ratio display thereof; FIG. 4 is a left side view with its 16:9 aspect ratio display thereof;

FIG. 5 is a right side view with its 16:9 aspect ratio display thereof; FIG. 6 is a top view with its 16:9 aspect ratio display thereof; FIG. 7 is a bottom view with its 16:9 aspect ratio display thereof;

FIG. 8 is a front, right side, perspective view of a TV receiver with the 21:9 aspect ratio display after sliding its front cover up thereof;

FIG. 9 is a front view with the 21:9 aspect ratio display thereof;

FIG. 10 is a rear view with the 21:9 aspect ratio display thereof;

FIG. 11 is a left side view with the 21:9 aspect ratio display thereof;

FIG. 12 is a right side view with the 21:9 aspect ratio display thereof;

FIG. 13 is a top view with the 21:9 aspect ratio display thereof;

FIG. 14 is a bottom view with the 21:9 aspect ratio display thereof;

FIG. 15 is a front, right side, perspective view of a TV receiver with the 16:5 aspect ratio display after sliding its front cover fully up thereof;

FIG. 16 is a front view with the 16:5 aspect ratio display thereof;

FIG. 17 is a rear view with the 16:5 aspect ratio display thereof;

FIG. 18 is a left side view with the 16:5 aspect ratio display thereof;

FIG. 19 is a right side view with the 16:5 aspect ratio display thereof;

FIG. 20 is a top view with the 16:5 aspect ratio display thereof; and,

FIG. 21 is a bottom view with the 16:5 aspect ratio display thereof.

The broken lines indicate unclaimed portion of the article that form no part of the claimed design.

**1 Claim, 18 Drawing Sheets**

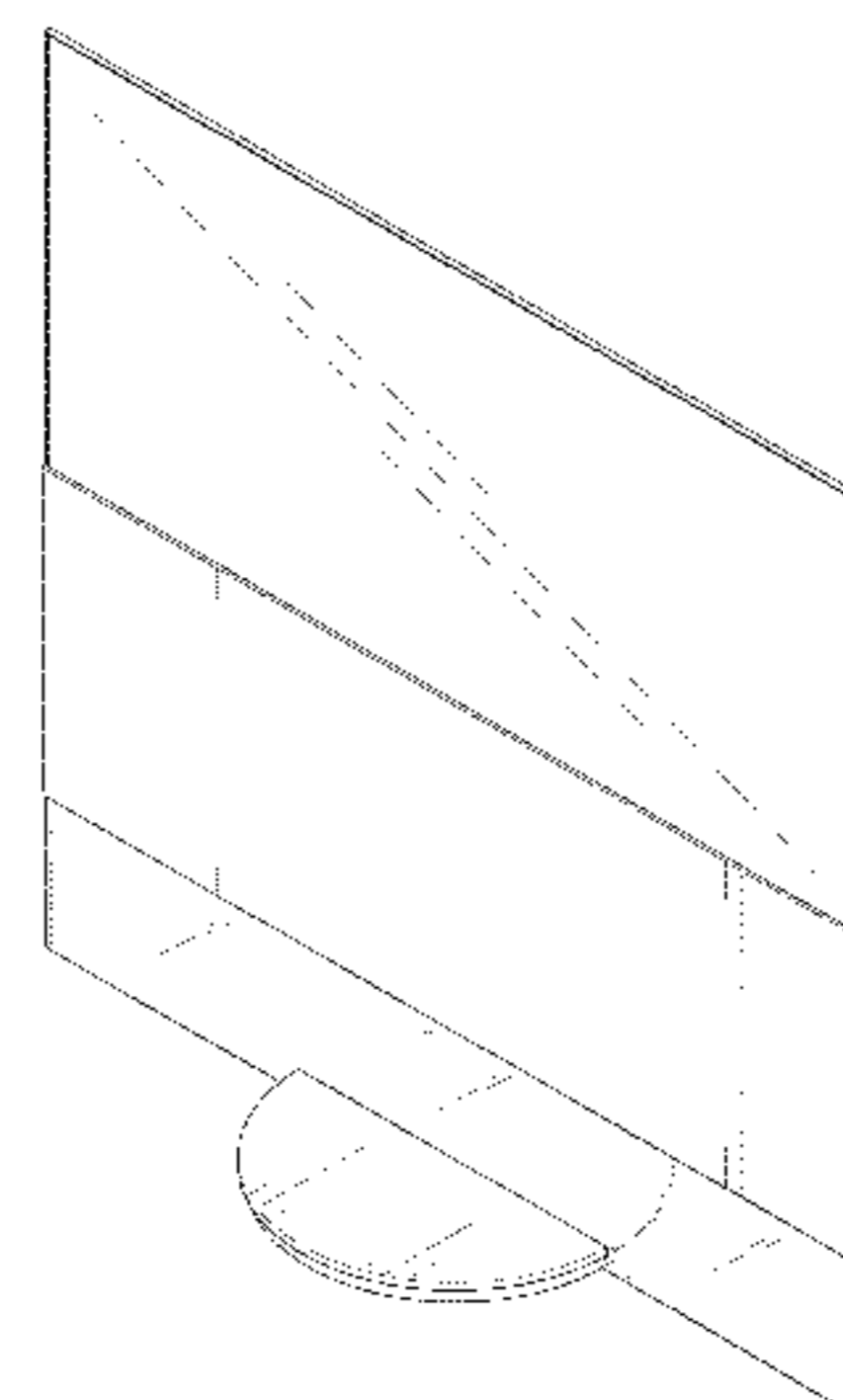
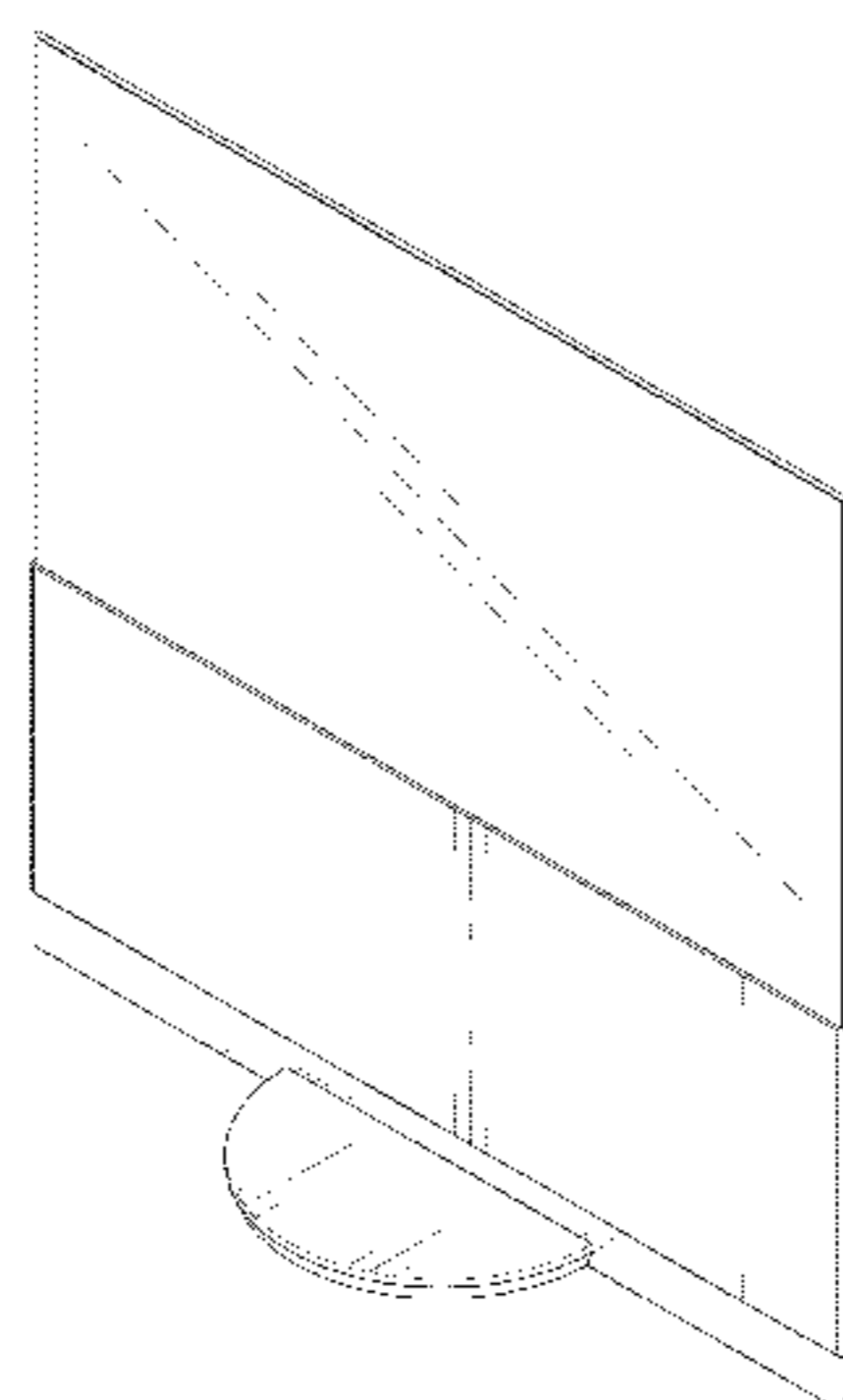


FIG. 1

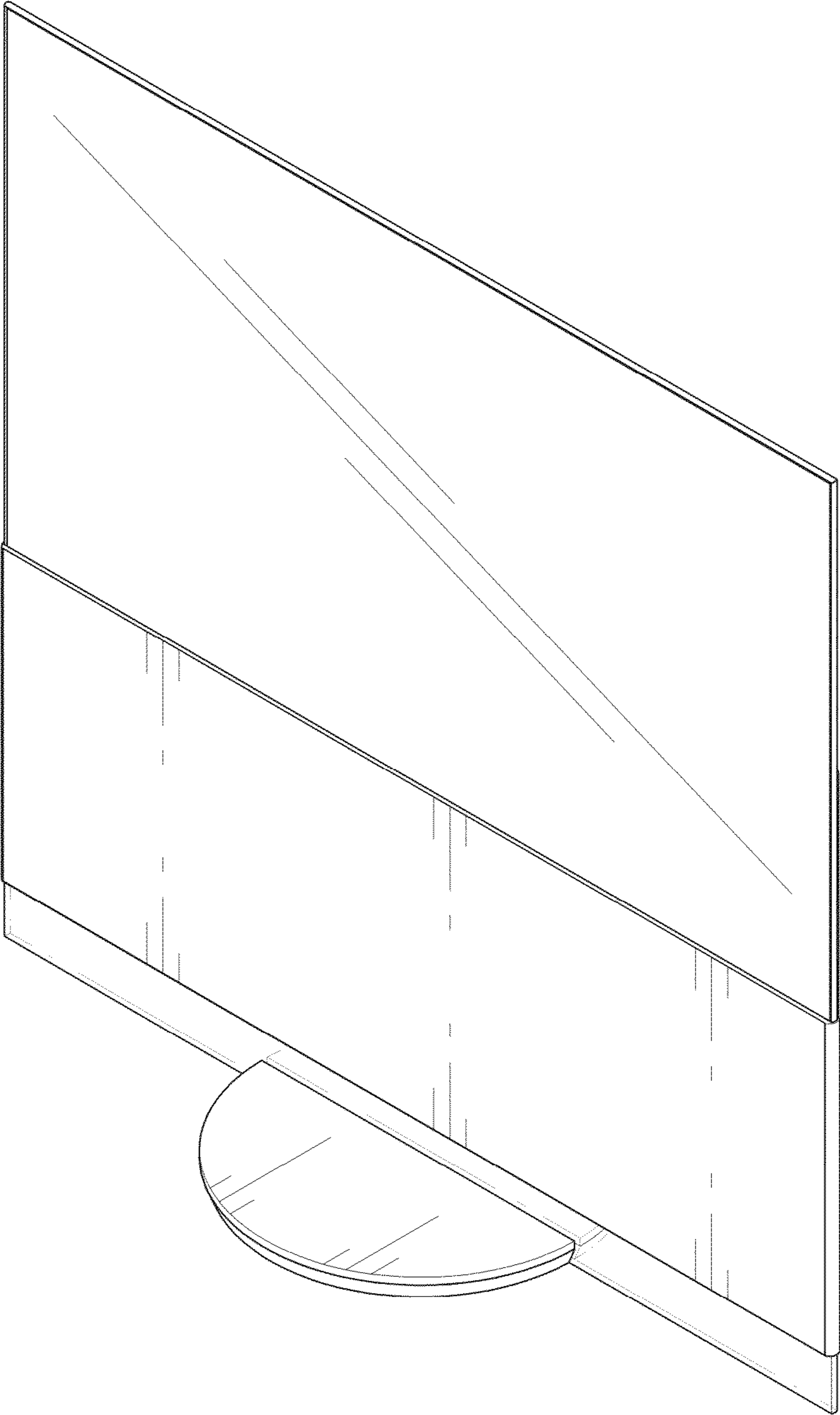


FIG. 2

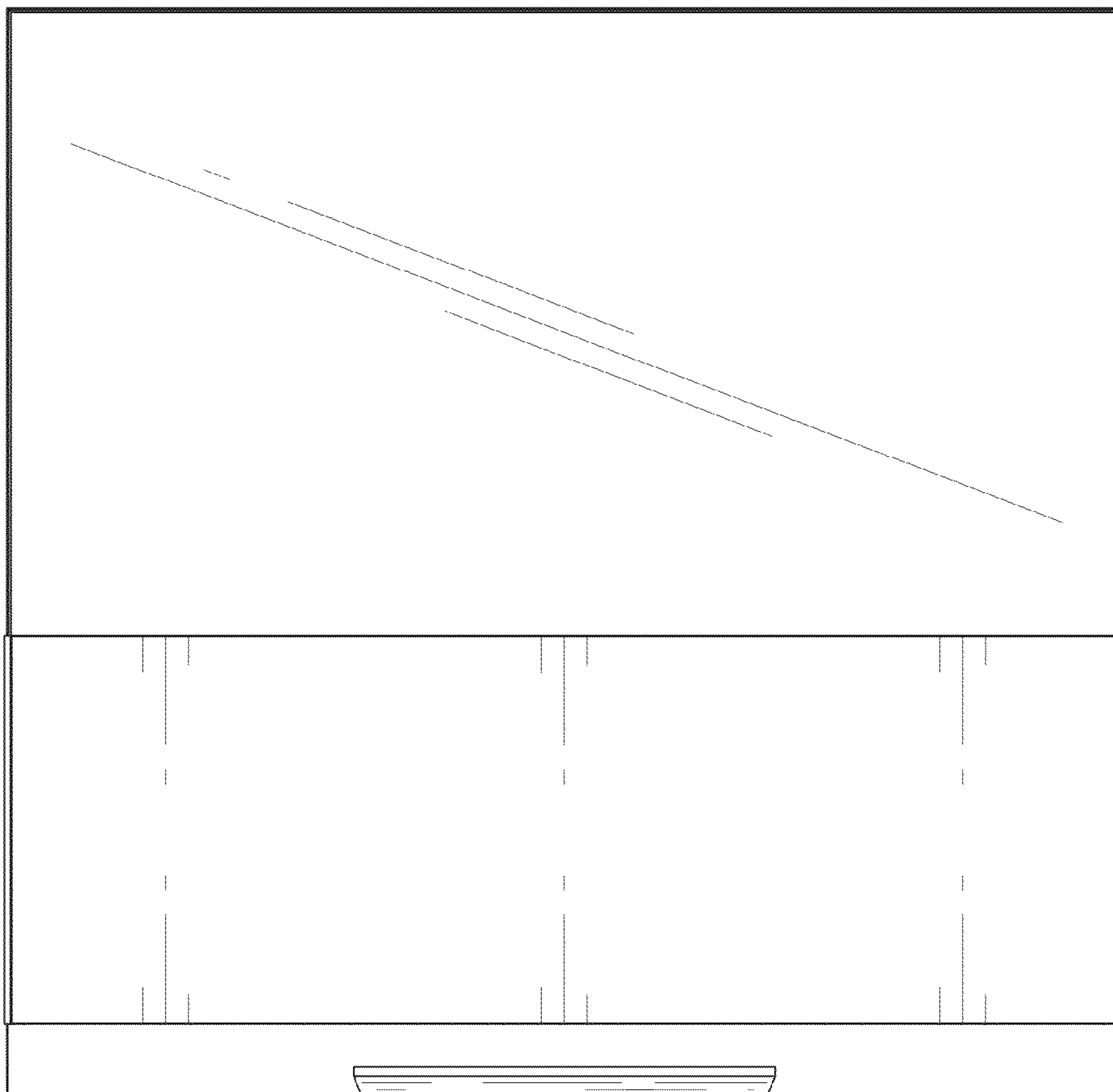


FIG. 3

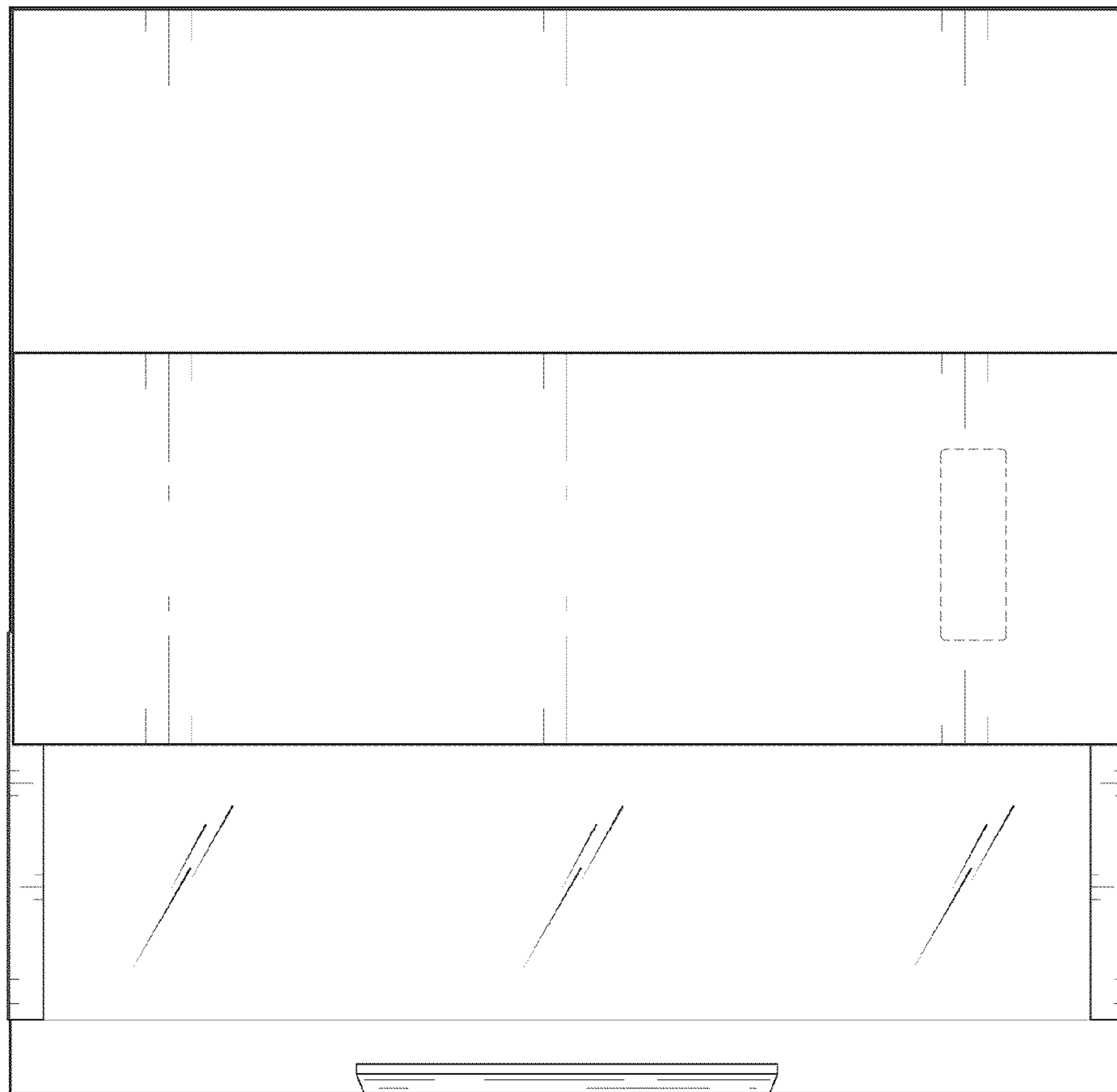


FIG. 4

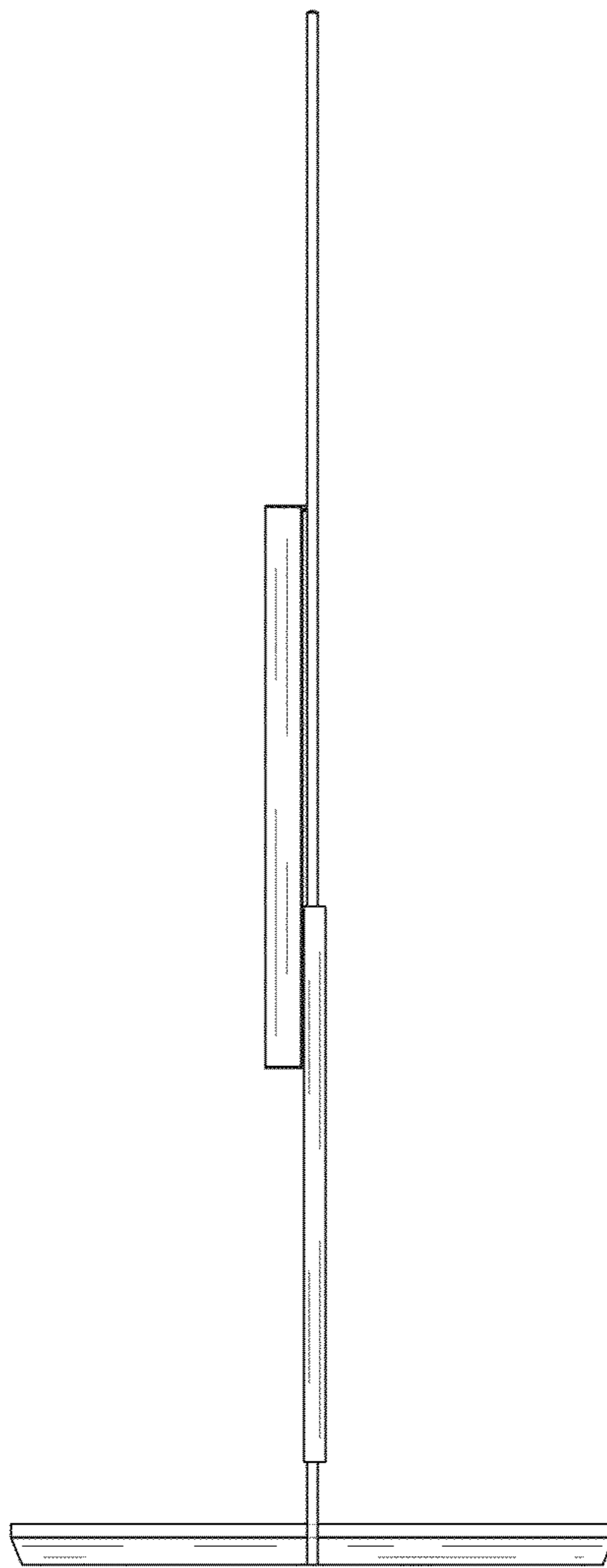


FIG. 5

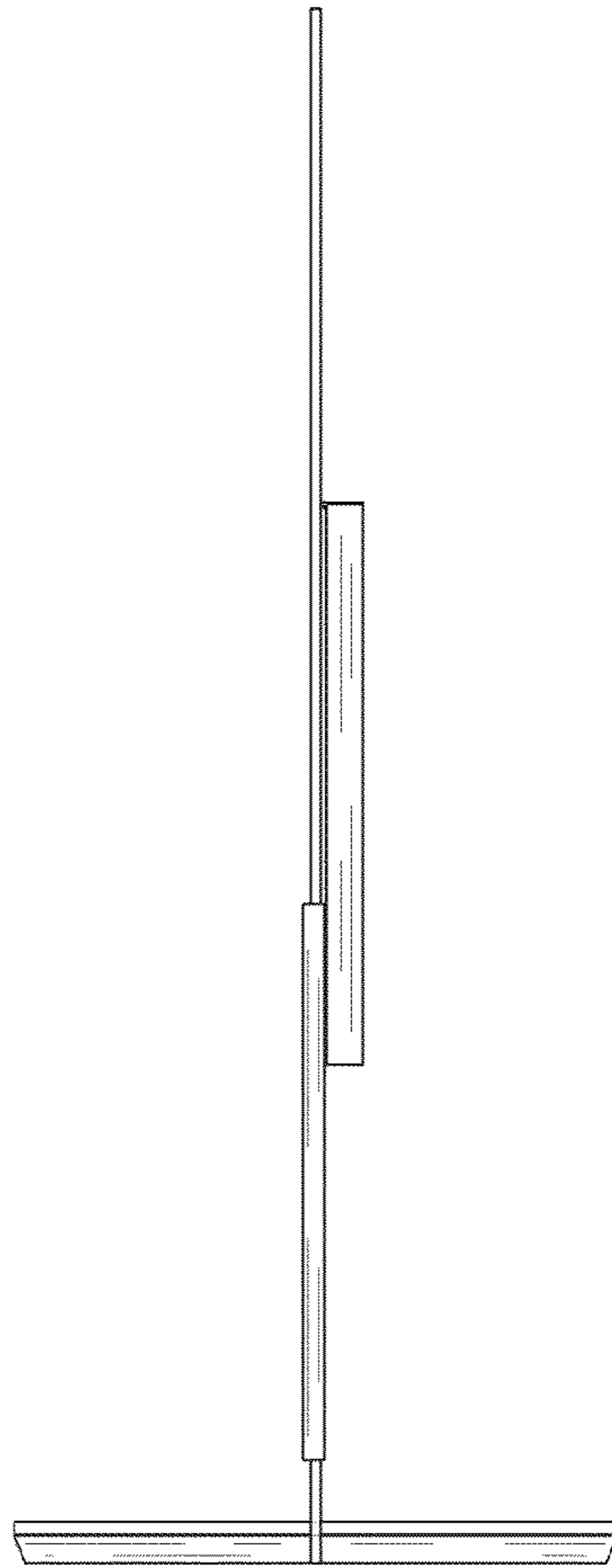


FIG. 6

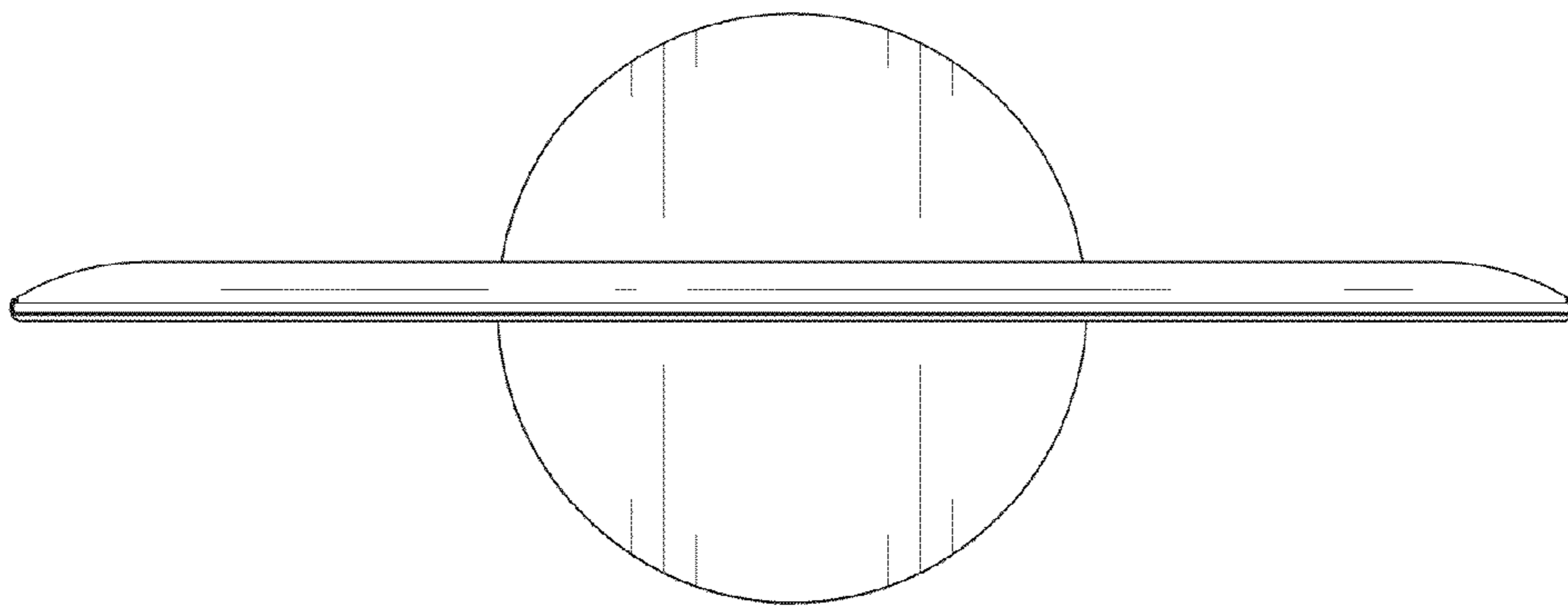


FIG. 7

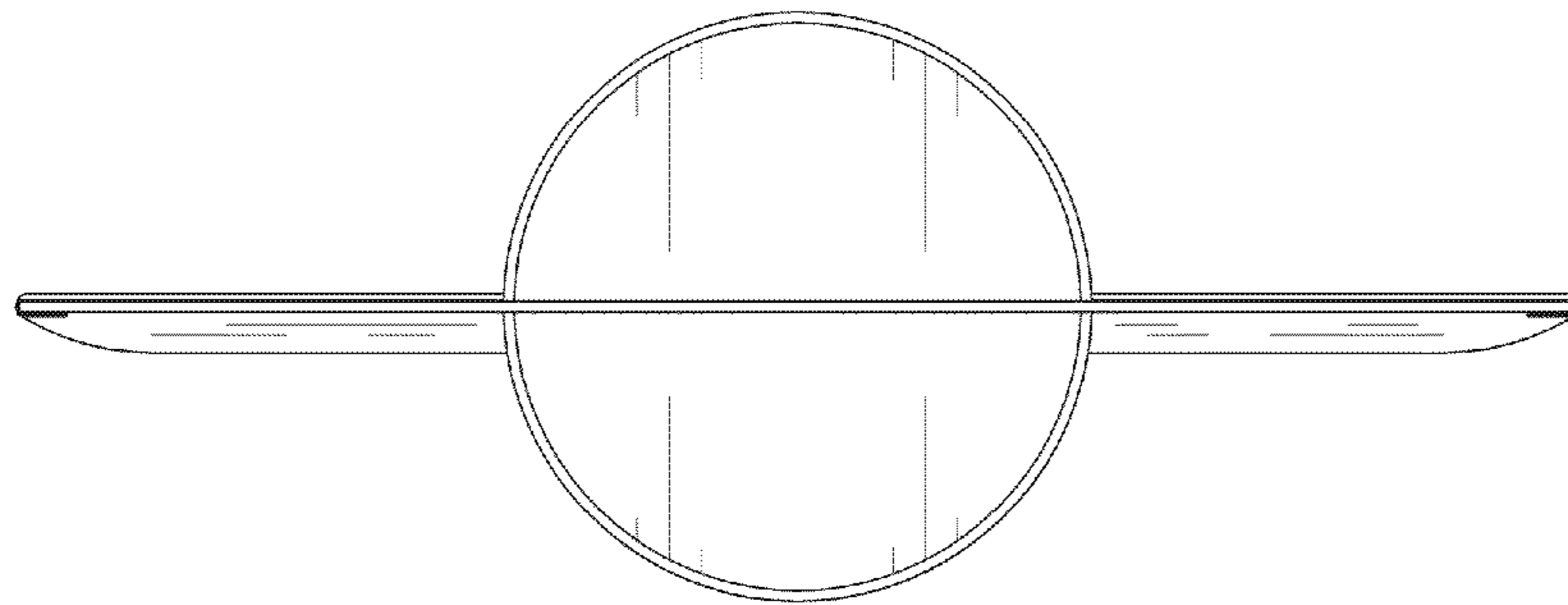


FIG. 8

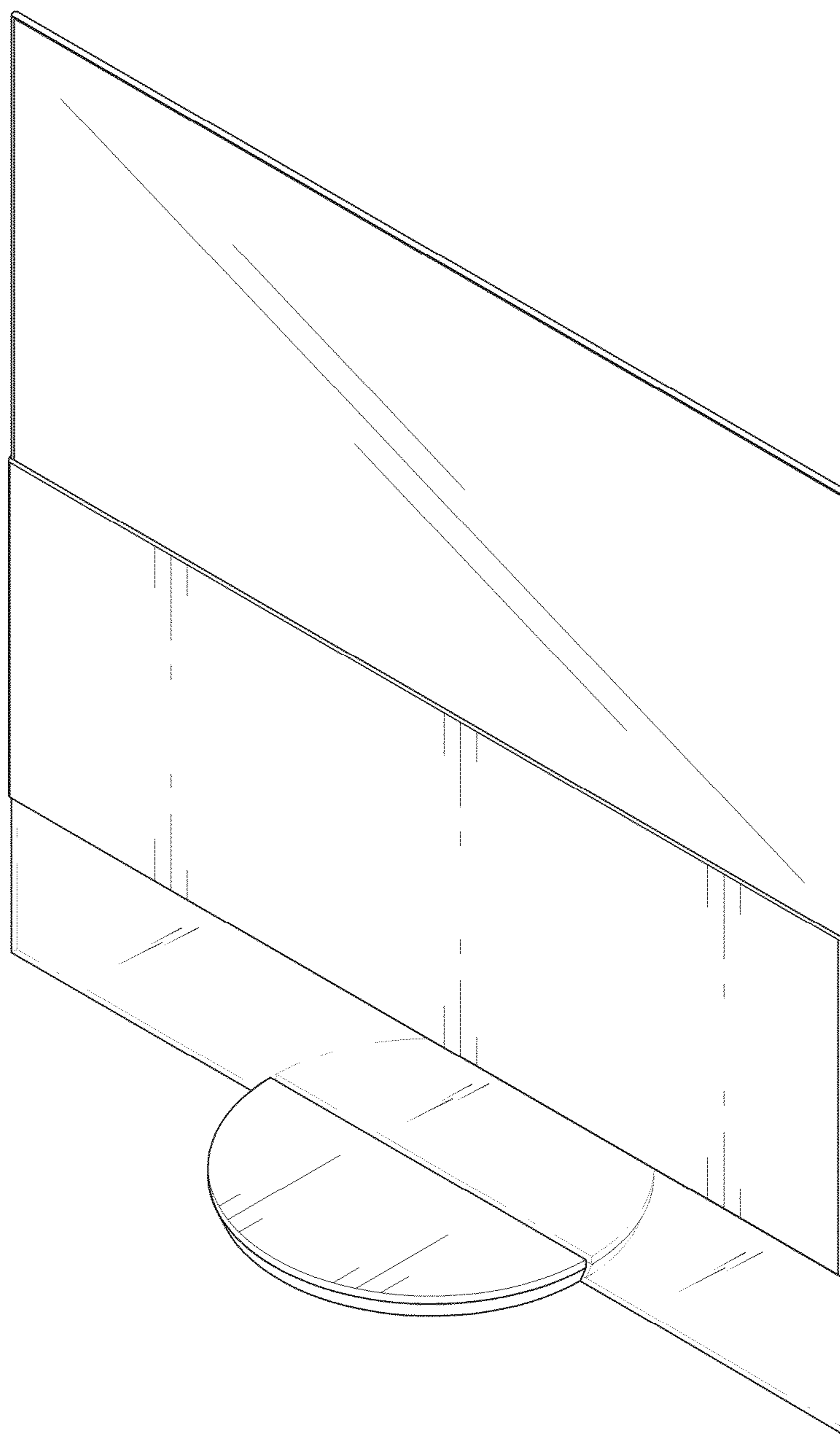




FIG. 9

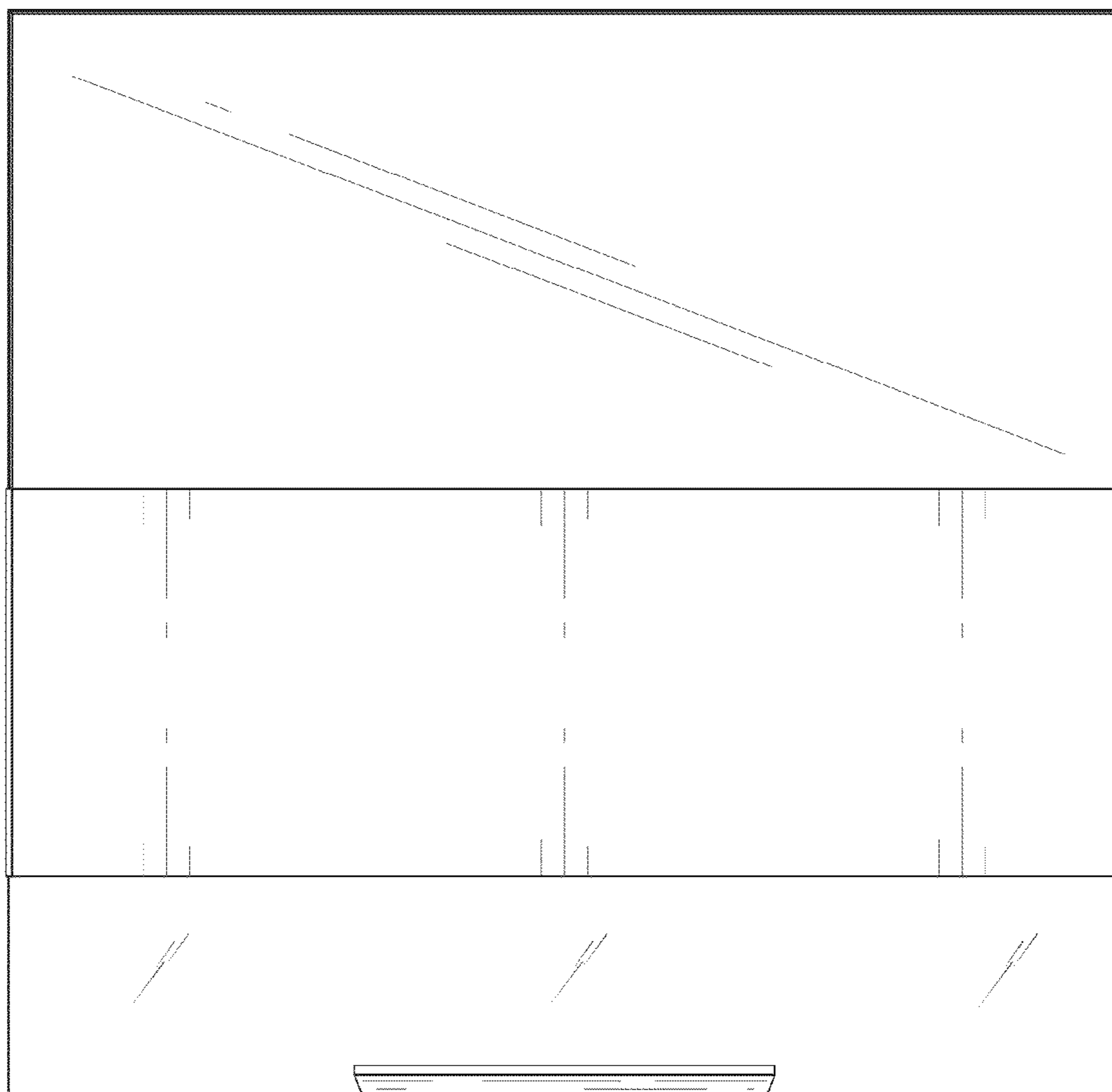


FIG. 10

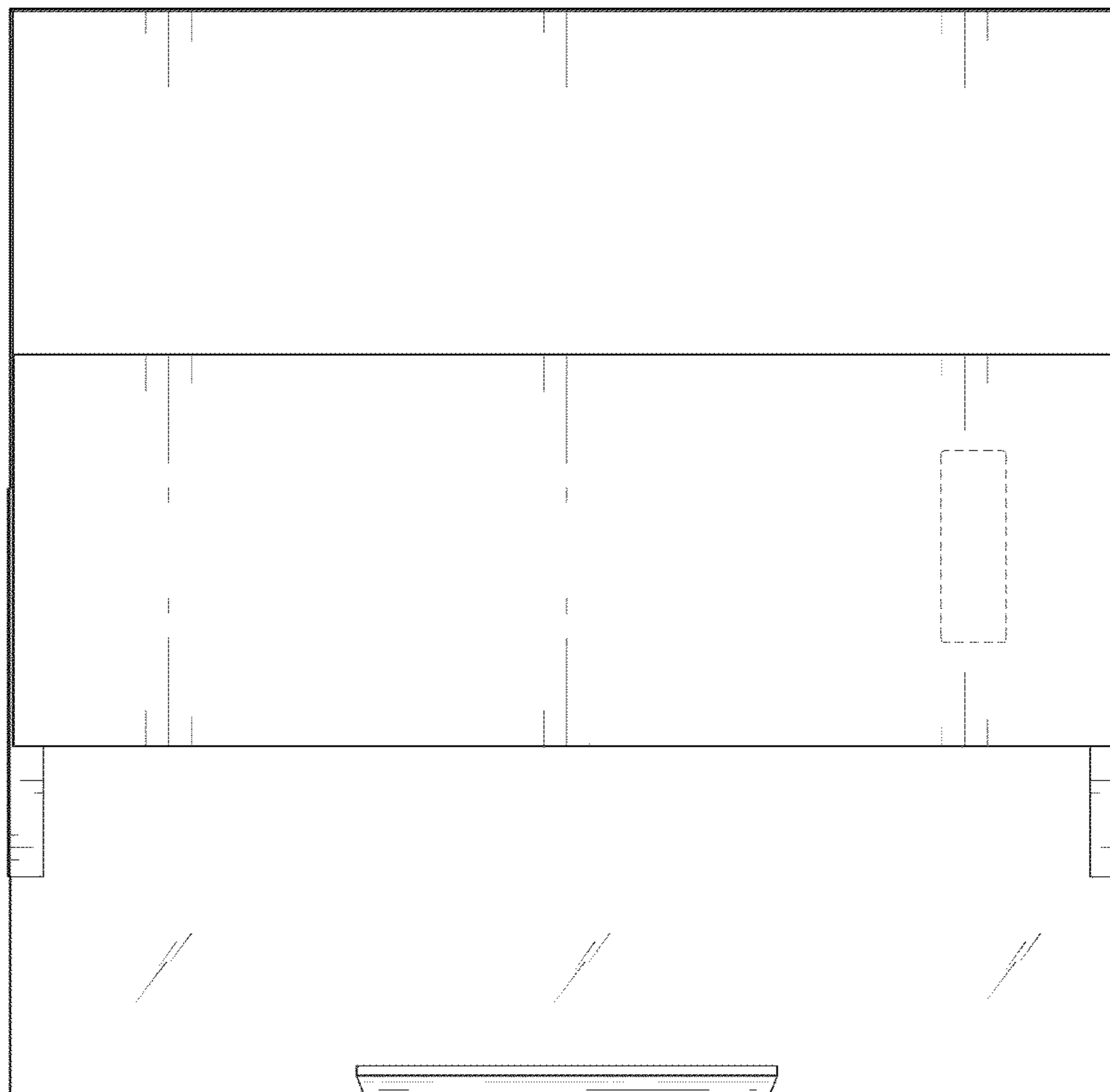


FIG.11

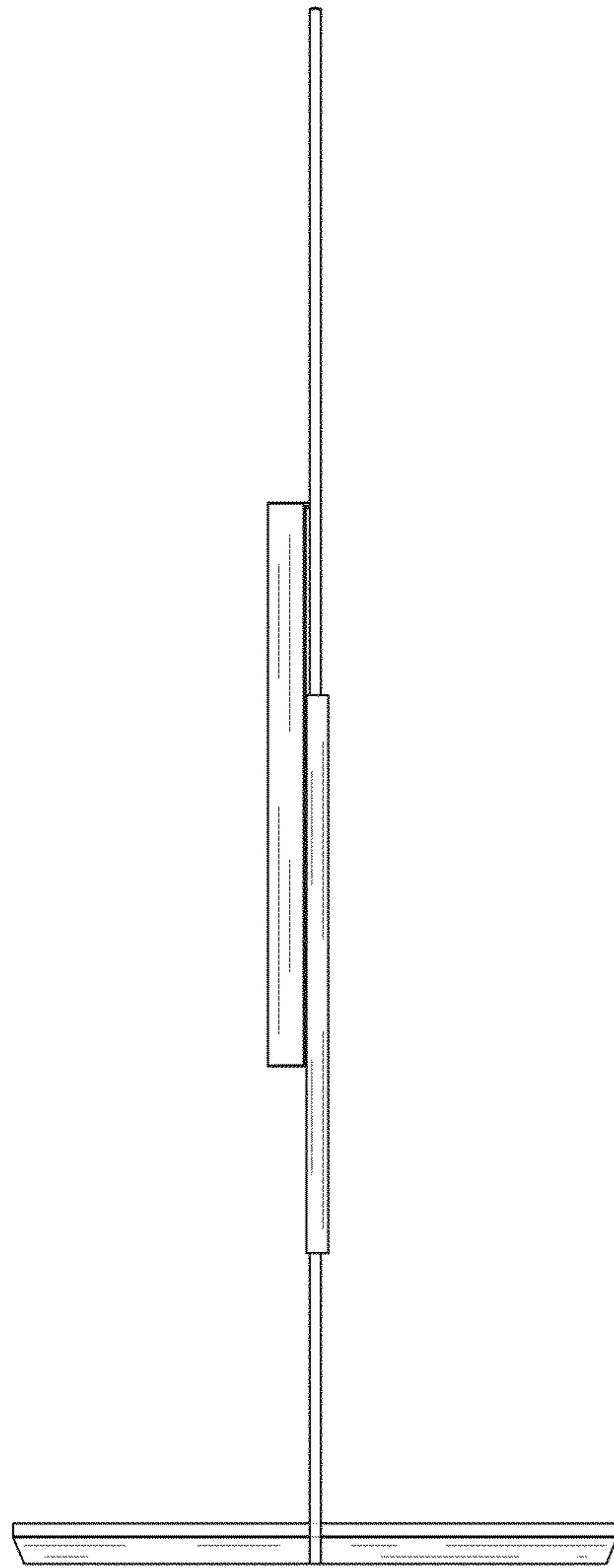


FIG. 12

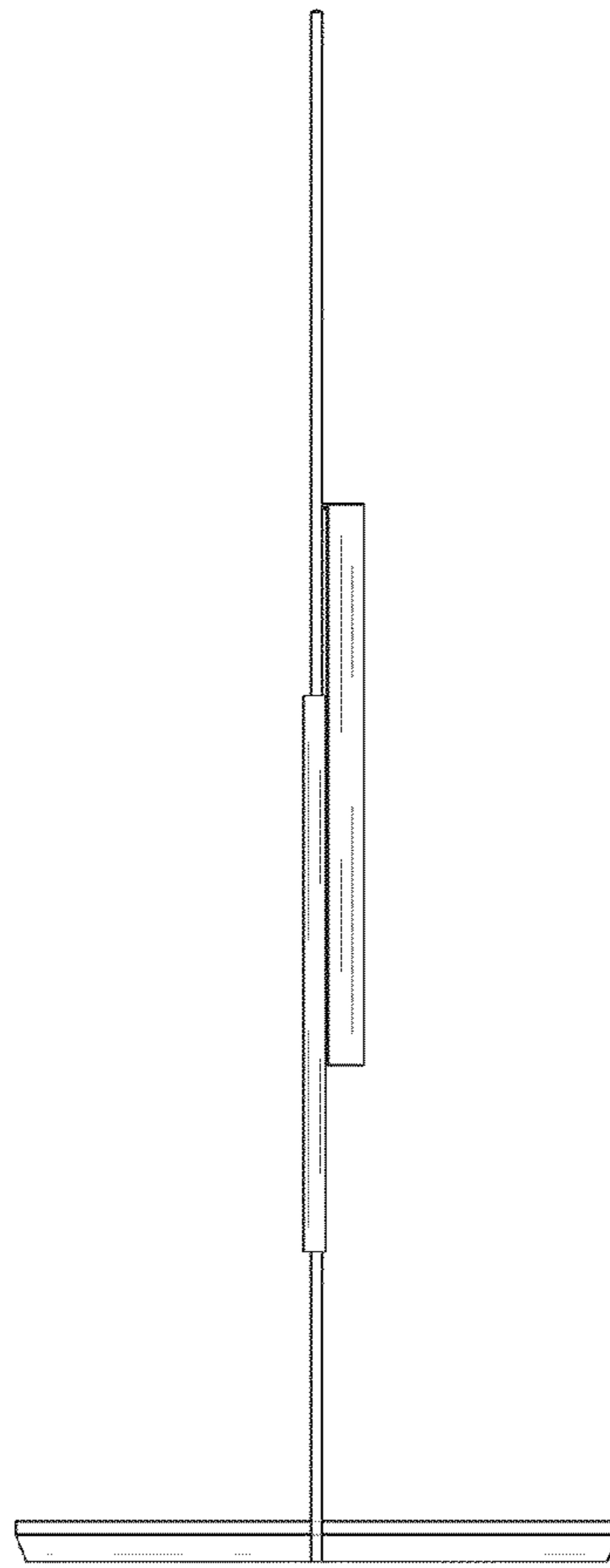


FIG. 13

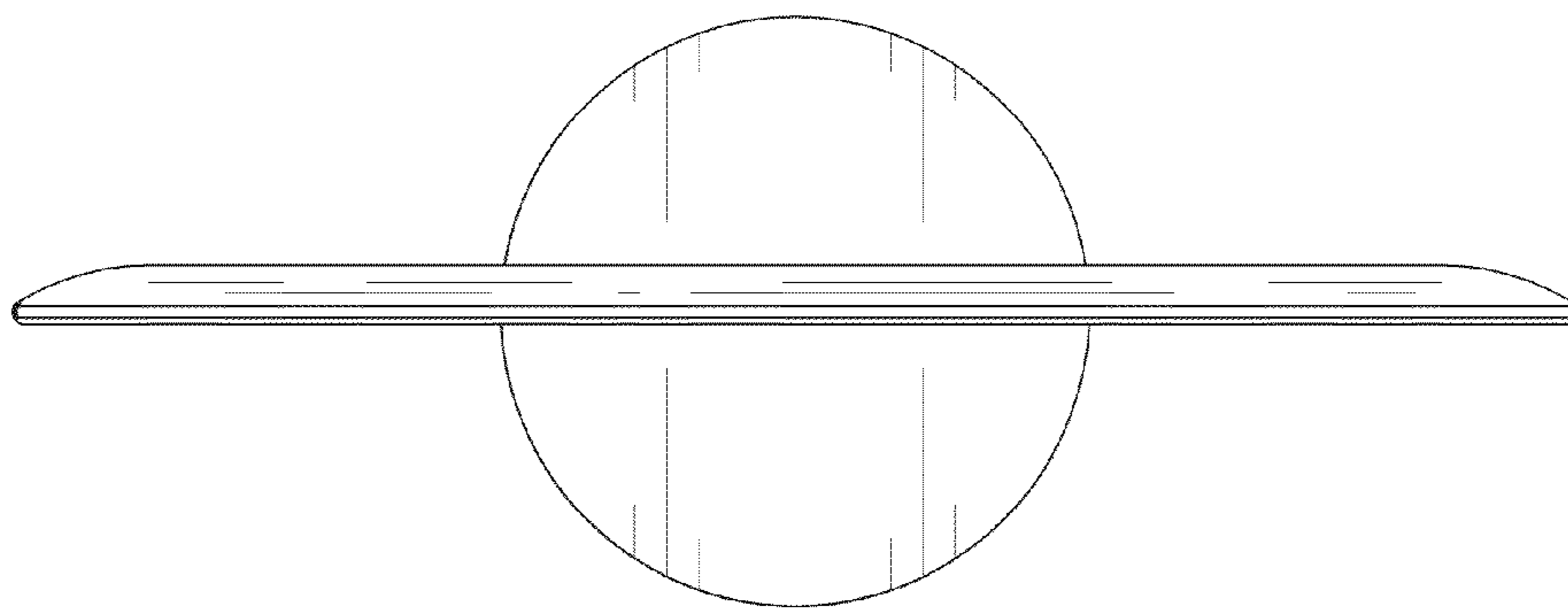


FIG. 14

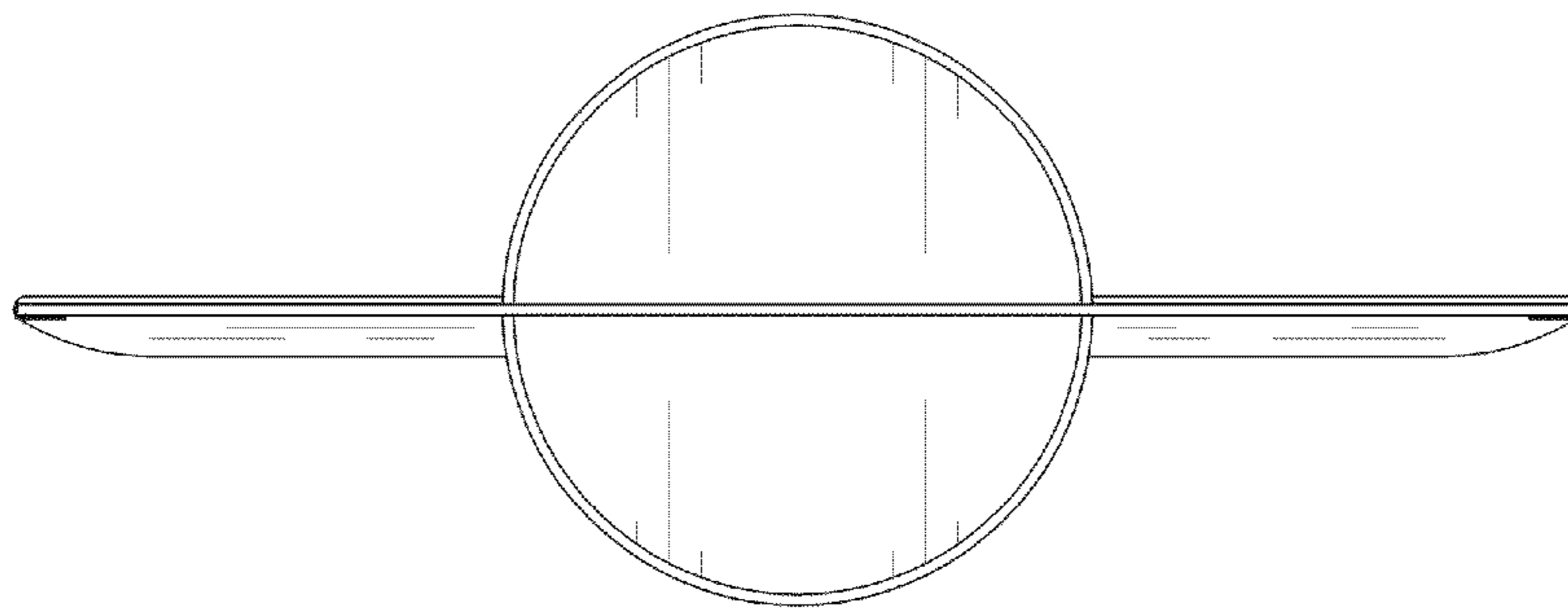


FIG. 15

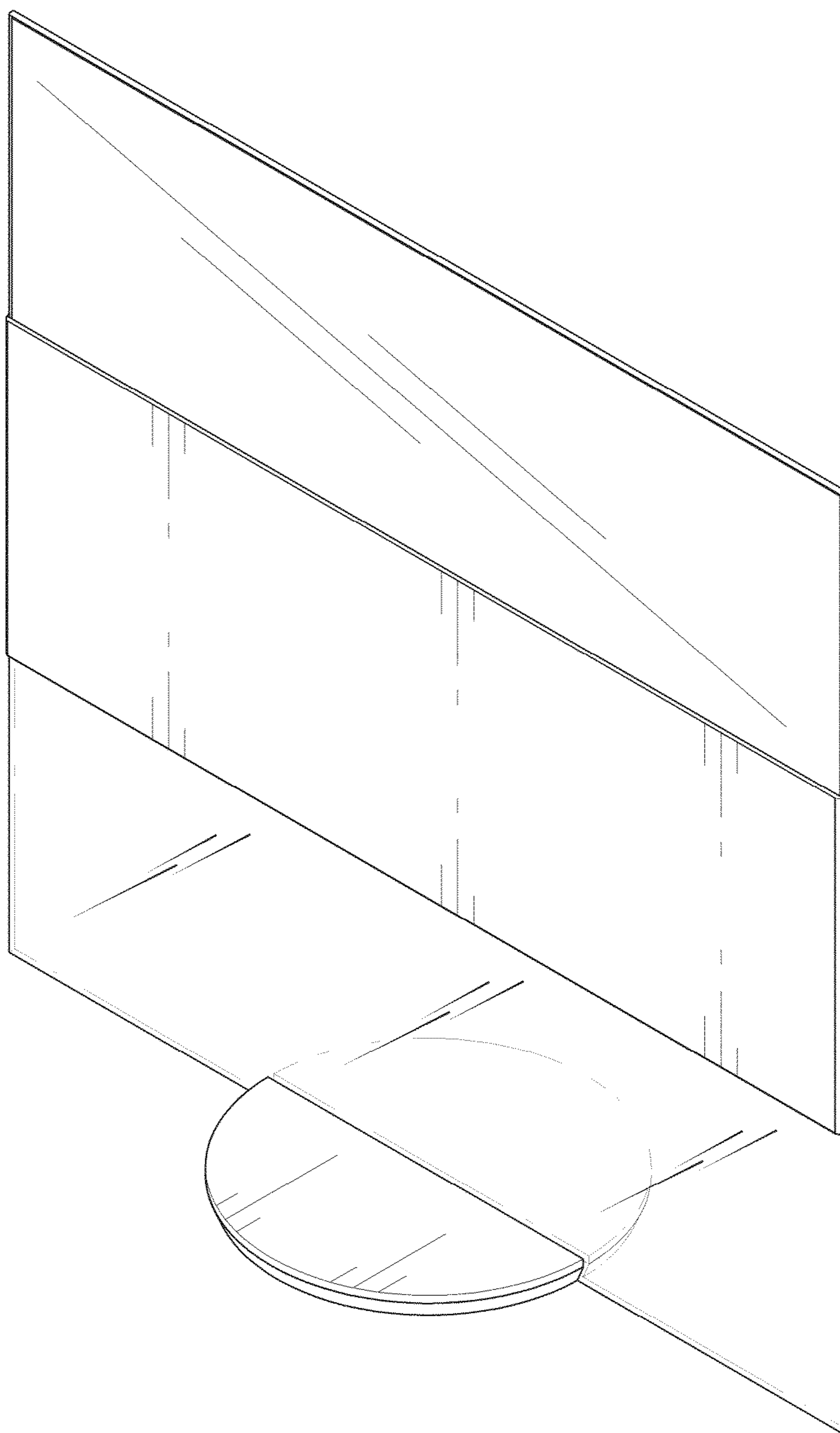


FIG. 16

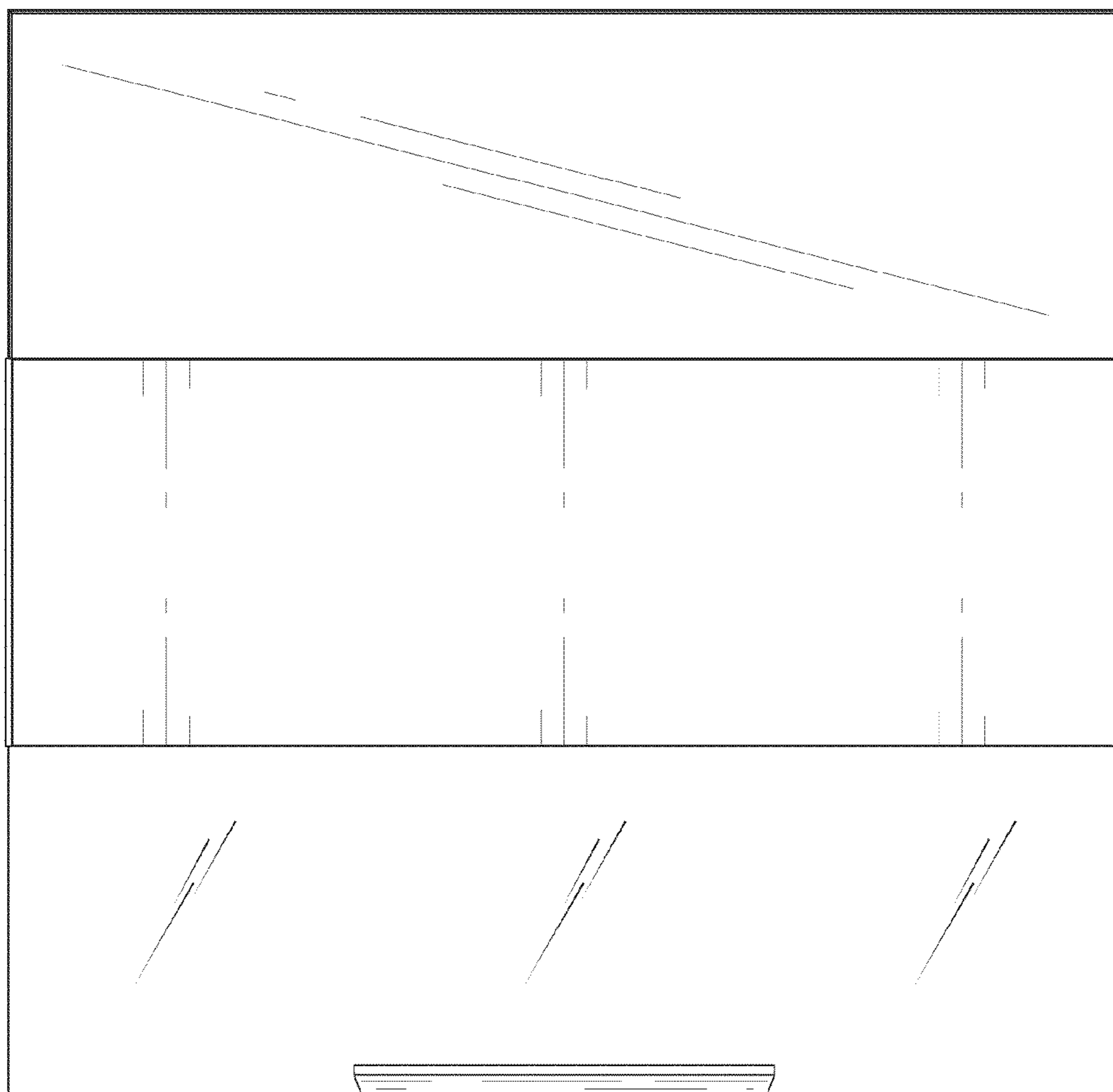


FIG. 17

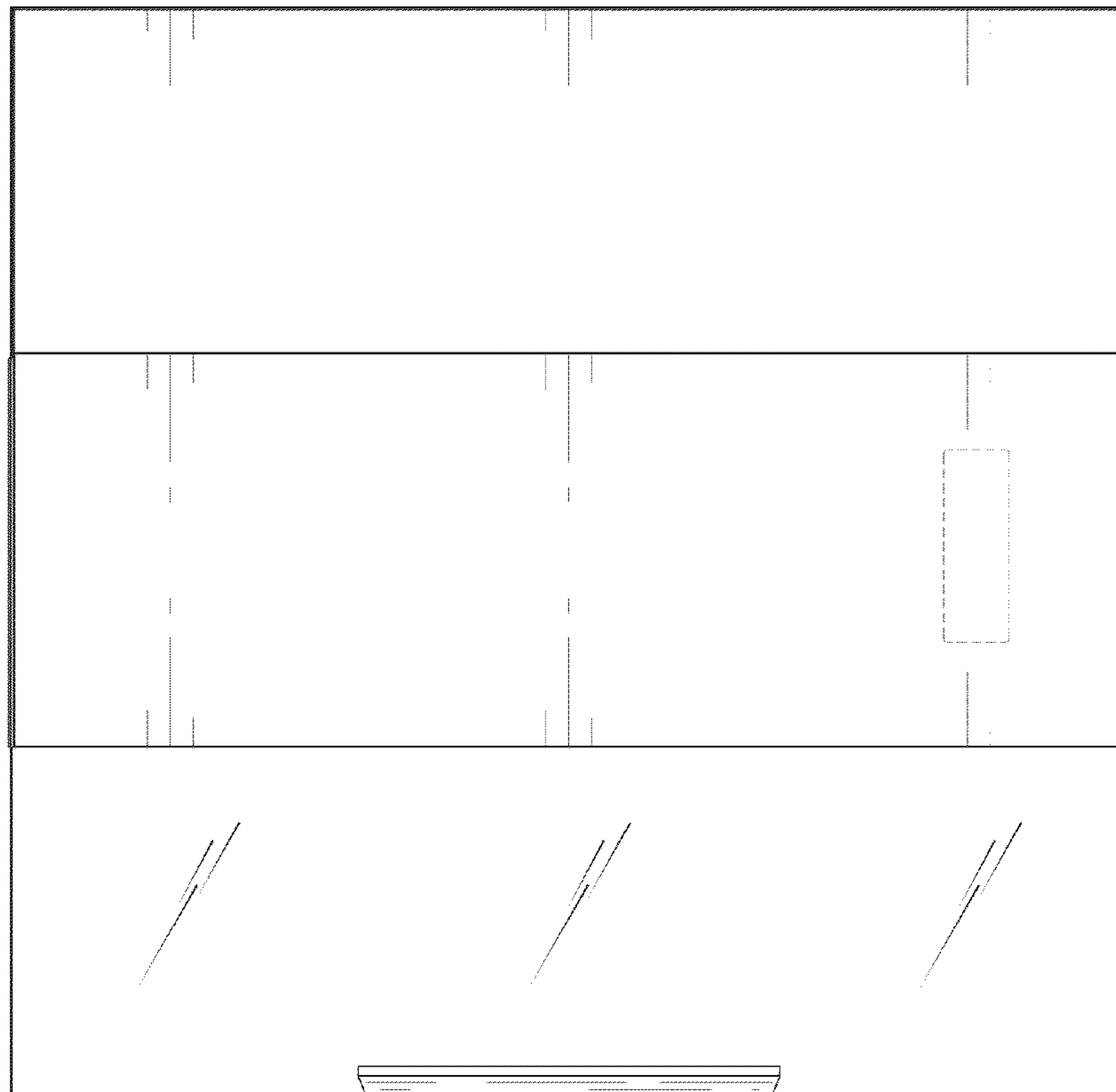




FIG. 18

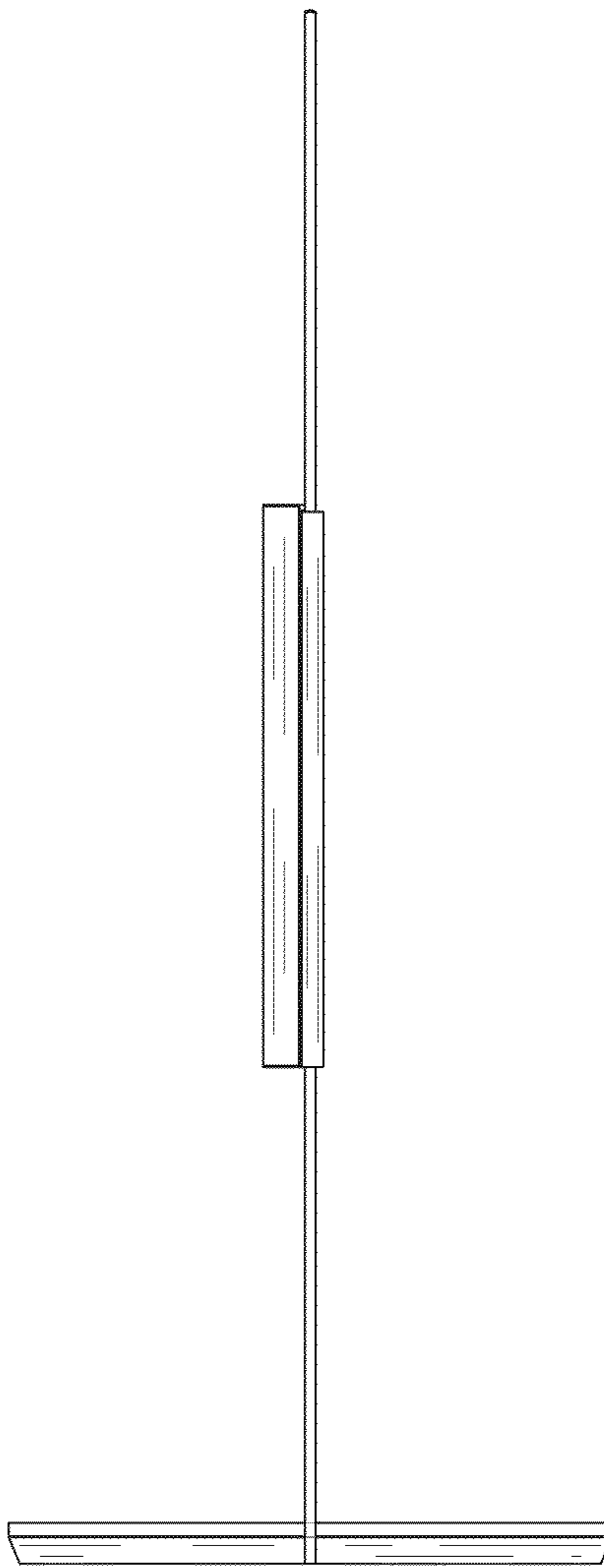


FIG. 19

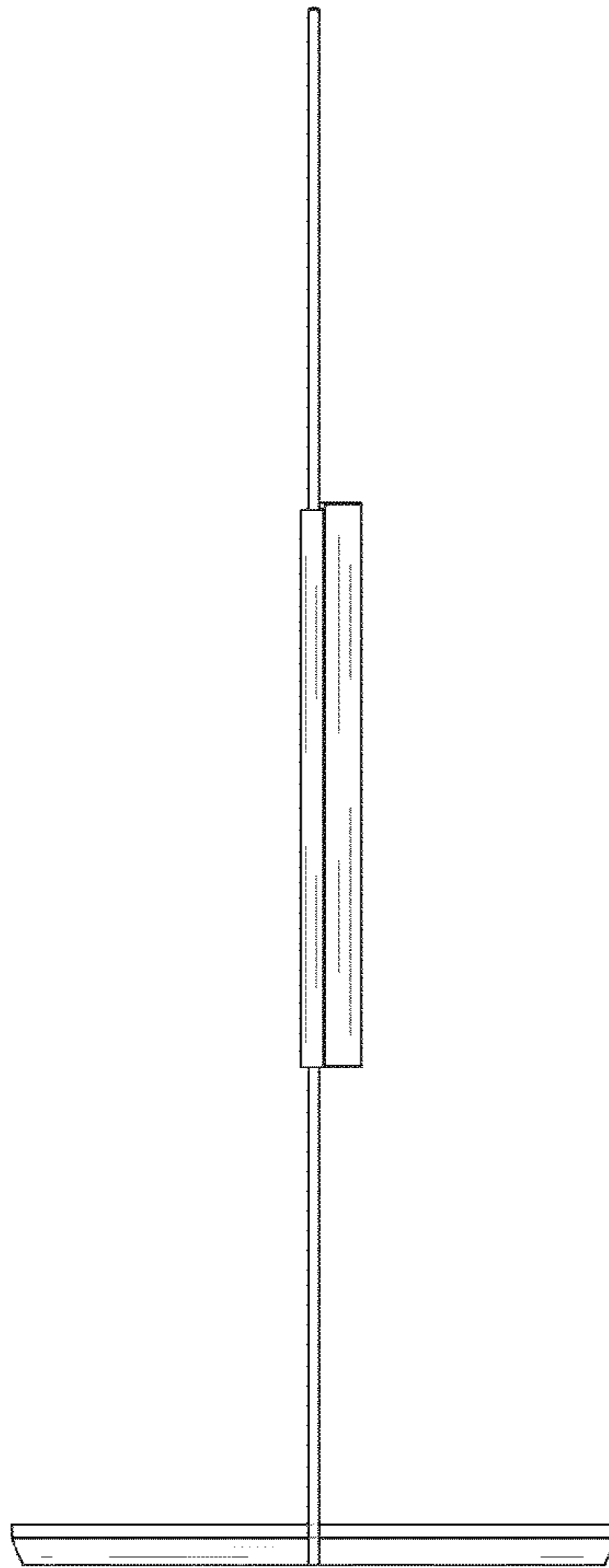


FIG. 20

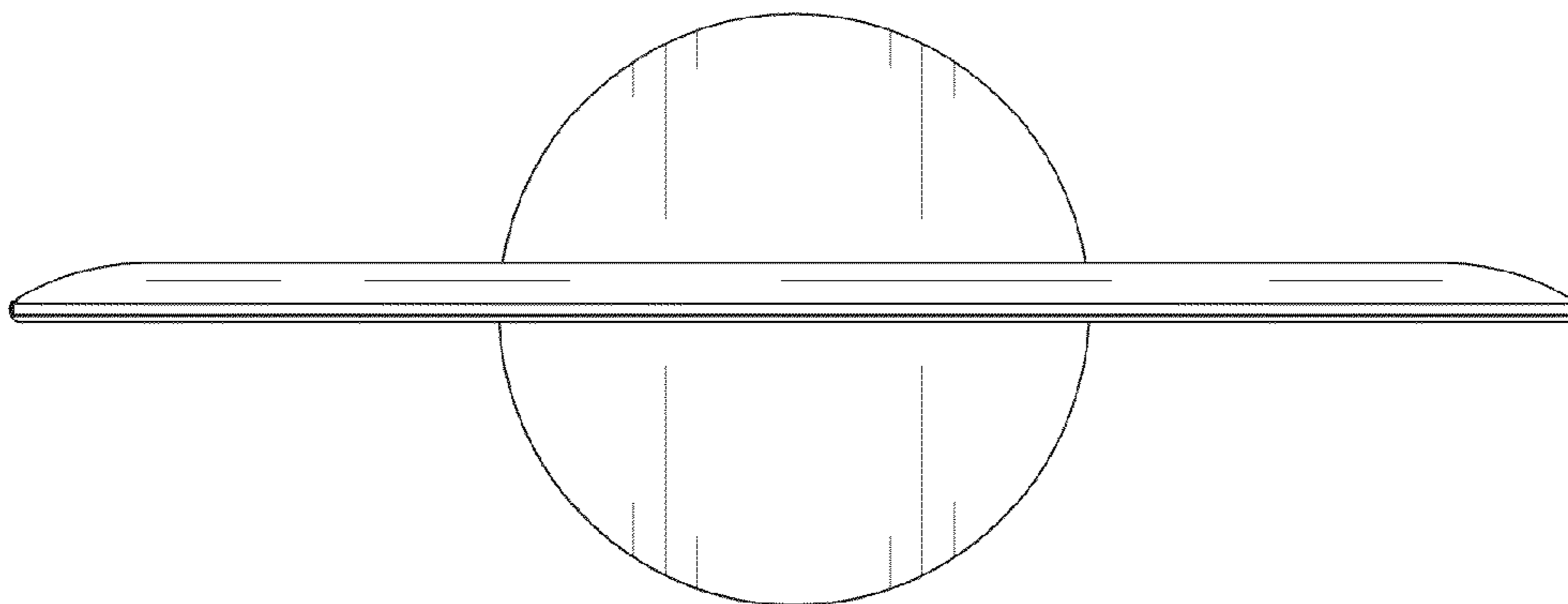


FIG. 21

