



US00D759608S

(12) **United States Design Patent**
Kim

(10) **Patent No.:** **US D759,608 S**
(45) **Date of Patent:** **** Jun. 21, 2016**

(54) **TV RECEIVER**

(71) Applicant: **LG ELECTRONICS INC.**, Seoul (KR)

(72) Inventor: **Miok Kim**, Seoul (KR)

(73) Assignee: **LG ELECTRONICS INC.**, Seoul (KR)

(**) Term: **14 Years**

(21) Appl. No.: **29/509,058**

(22) Filed: **Nov. 13, 2014**

(30) **Foreign Application Priority Data**

May 14, 2014 (KR) 30-2014-0023890

(51) **LOC (10) Cl.** **14-03**

(52) **U.S. Cl.**
USPC **D14/126**

(58) **Field of Classification Search**
USPC D14/125-134, 239, 371, 136, 374-377,
D14/440, 450, 448, 336, 342, 159; 312/7.2;
348/836, 838, 180, 184, 325, 739;
248/917-924, 465; 345/104, 133, 156,
345/168, 87, 173; D21/329, 515, 577, 622,
D21/333, 433, 448, 452, 450, 331, 505;
D10/15, 26; 446/484, 175, 356;
D6/477, 479, 300; D20/10, 19, 39
CPC ... G06F 1/1601; G06F 1/1643; H05K 5/0004;
H05K 5/0017; H05K 5/02; H05K 5/02107;
H04N 13/0459
See application file for complete search history.

(56) **References Cited**

U.S. PATENT DOCUMENTS

D551,186 S * 9/2007 Yang D14/126
D656,472 S * 3/2012 Iida D14/126

(Continued)

Primary Examiner — Raphael Barkai

(74) *Attorney, Agent, or Firm* — Birch, Stewart, Kolasch & Birch, LLP

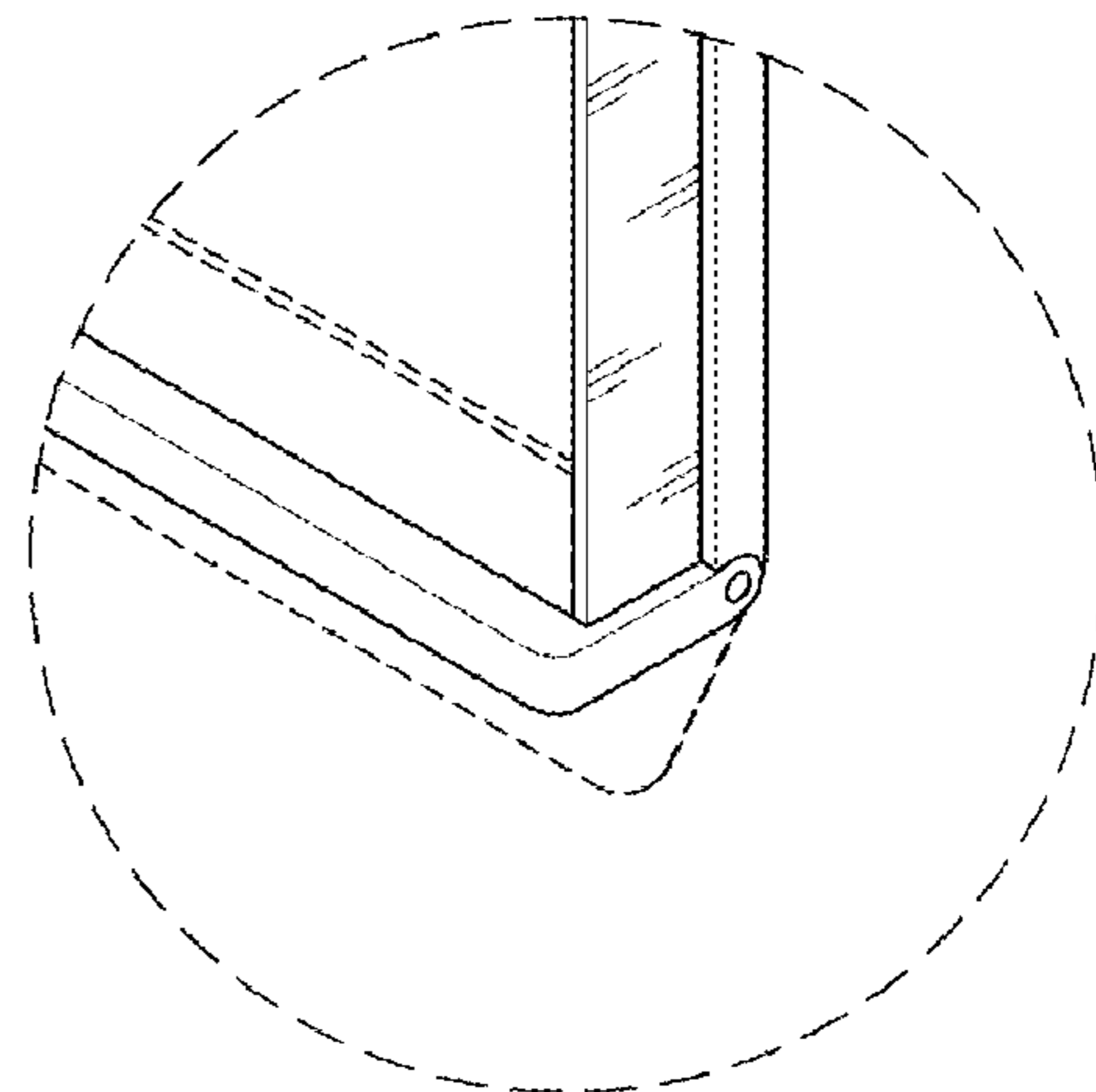
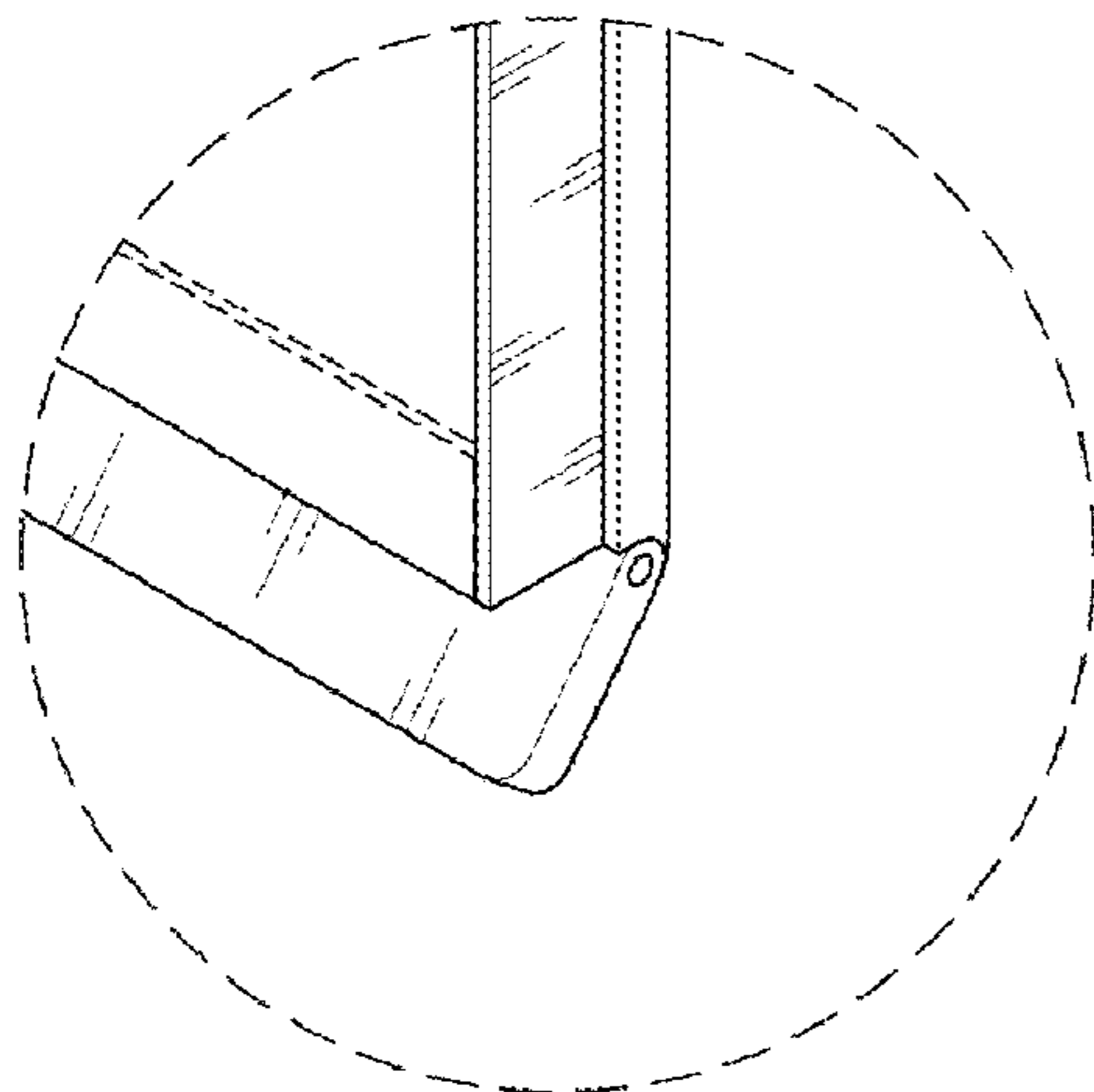
(57) **CLAIM**

The ornamental design for a TV receiver, as shown and described.

DESCRIPTION

FIG. 1 is a front, right side, perspective view of a TV receiver showing my new design;
FIG. 2 is a front view thereof;
FIG. 3 is a rear view thereof;
FIG. 4 is a left side view thereof;
FIG. 5 is a right side view thereof;
FIG. 6 is a top view thereof;
FIG. 7 is a bottom view thereof;
FIG. 8 is an enlarged view of the sound reflector which is opened thereof;
FIG. 9 is a cross-section of the 1-1 line in FIG. 1 thereof;
FIG. 10 is a front, right side, perspective view in a closed state thereof;
FIG. 11 is a front view in a closed state thereof;
FIG. 12 is a rear view in a closed state thereof;
FIG. 13 is a left side view in a closed state thereof;
FIG. 14 is a right side view in a closed state thereof;
FIG. 15 is a top view in a closed state thereof;
FIG. 16 is a bottom view in a closed state thereof;
FIG. 17 is an enlarged view of the sound reflector which is being closed thereof; and,
FIG. 18 is a cross-section of the 2-2 line in FIG. 10 thereof. The broken lines indicate unclaimed portion of the article that form no part of the claimed design, and the dash-dot broken lines define the bounds of the claimed design and form no part of the claimed design.

1 Claim, 10 Drawing Sheets



(56)

References Cited

U.S. PATENT DOCUMENTS

D660,815 S * 5/2012 Itou D14/126
D661,268 S * 6/2012 Itou D14/126
D709,044 S * 7/2014 Takami D14/126

D716,244 S * 10/2014 Kim D14/126
D725,621 S * 3/2015 Kim D14/126
D726,137 S * 4/2015 Lee D14/126
D738,337 S * 9/2015 Kang D14/126
D747,283 S * 1/2016 Hwangbo D14/126

* cited by examiner

FIG. 1

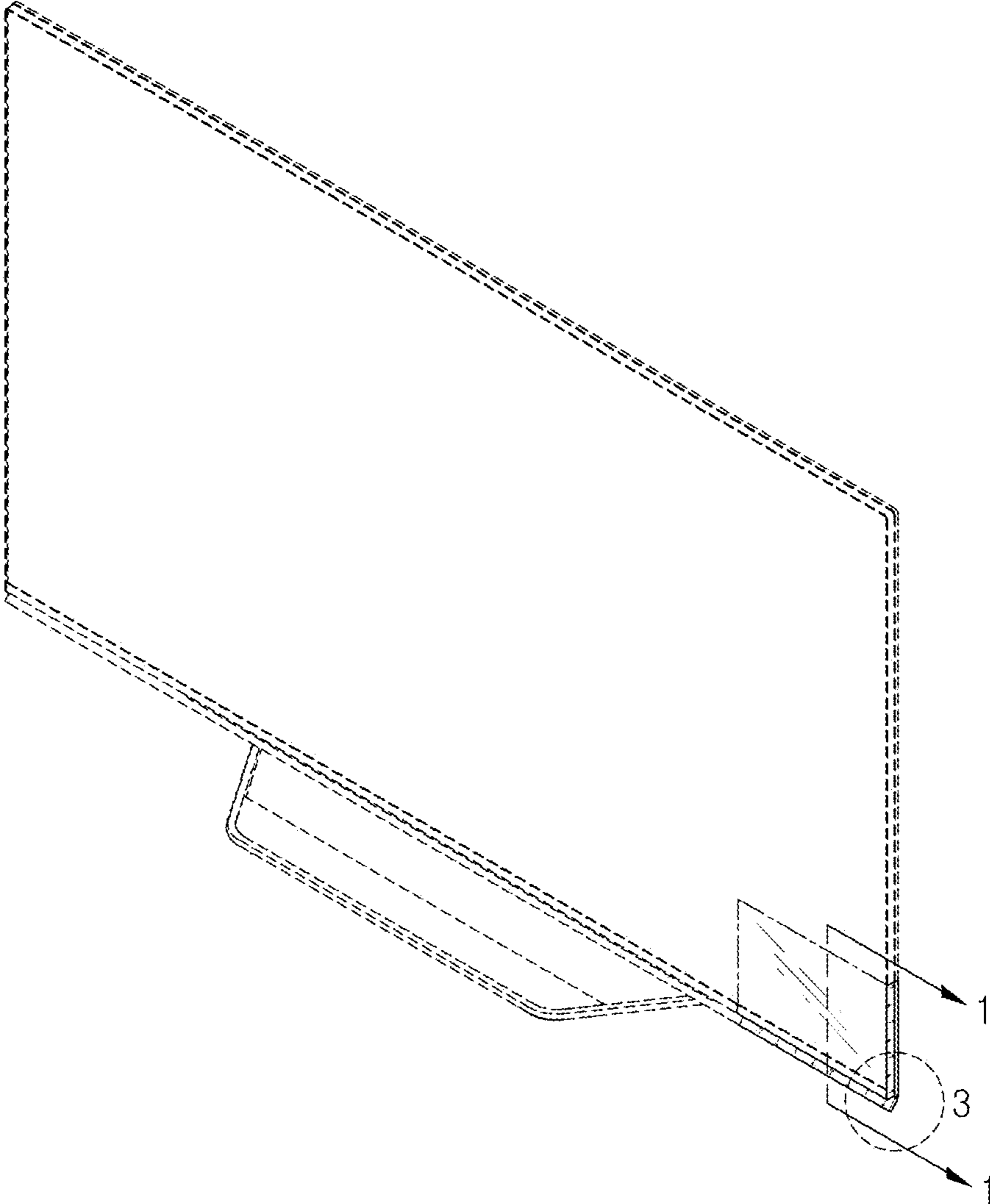


FIG. 2

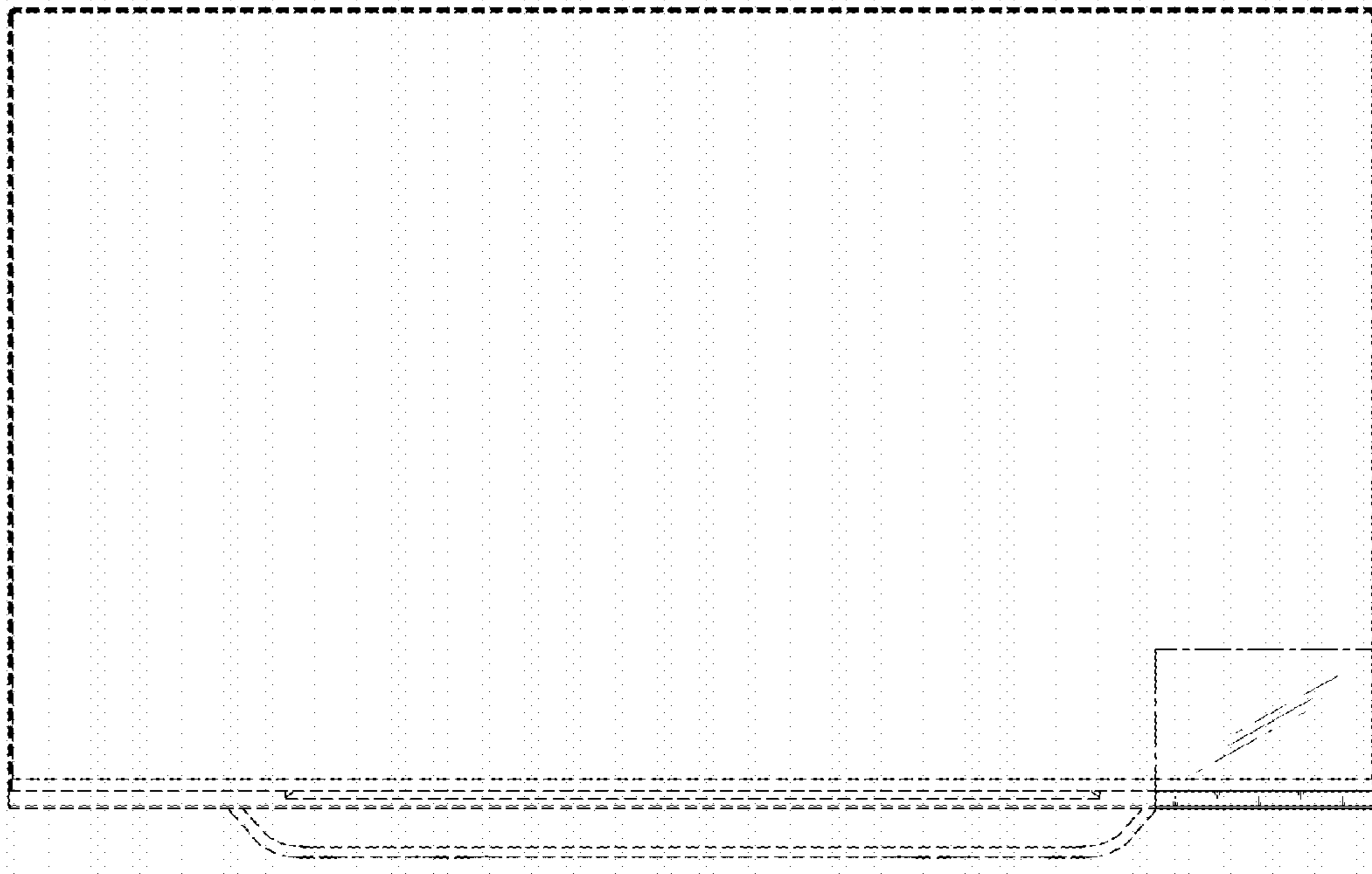


FIG. 3

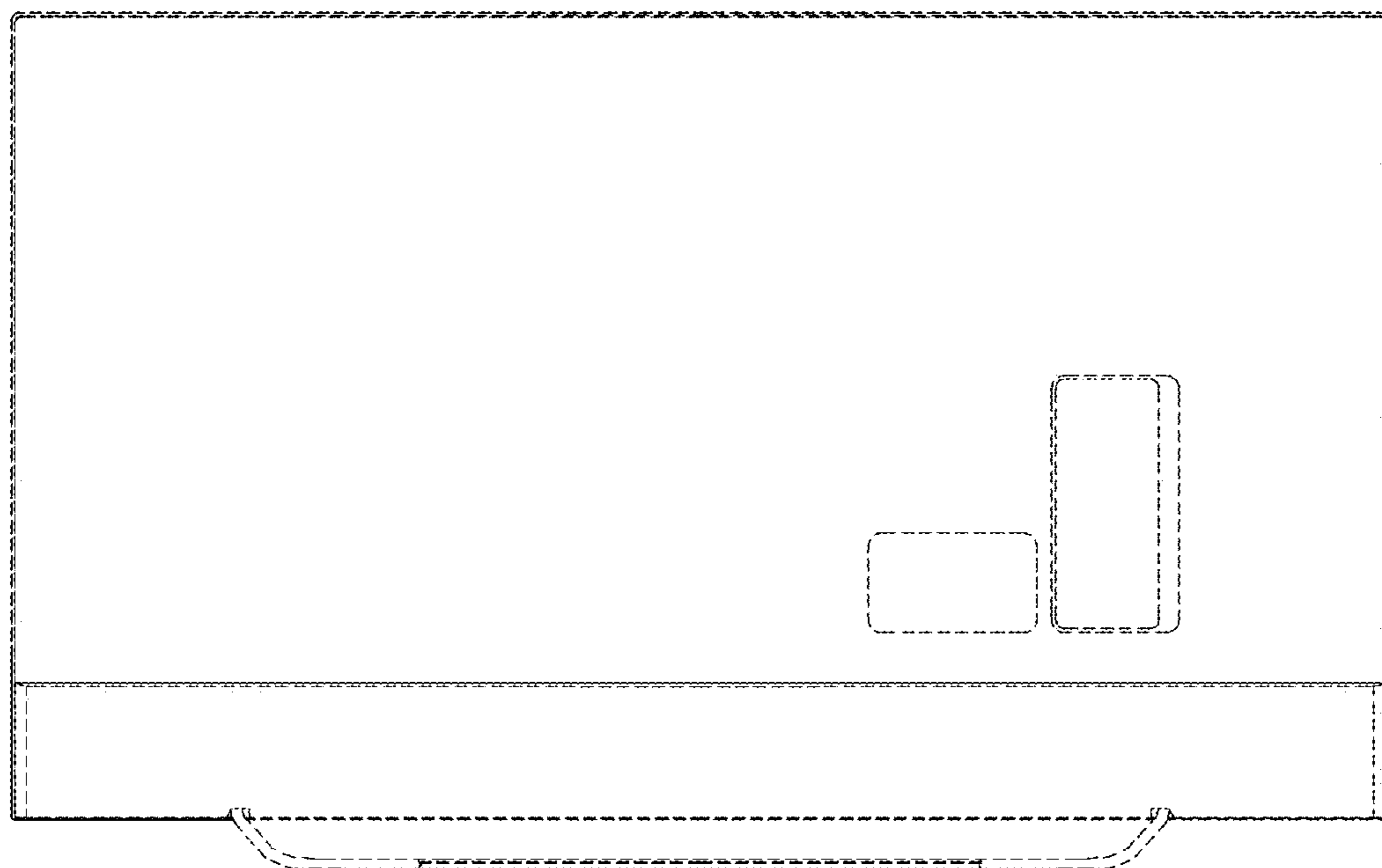


FIG. 4

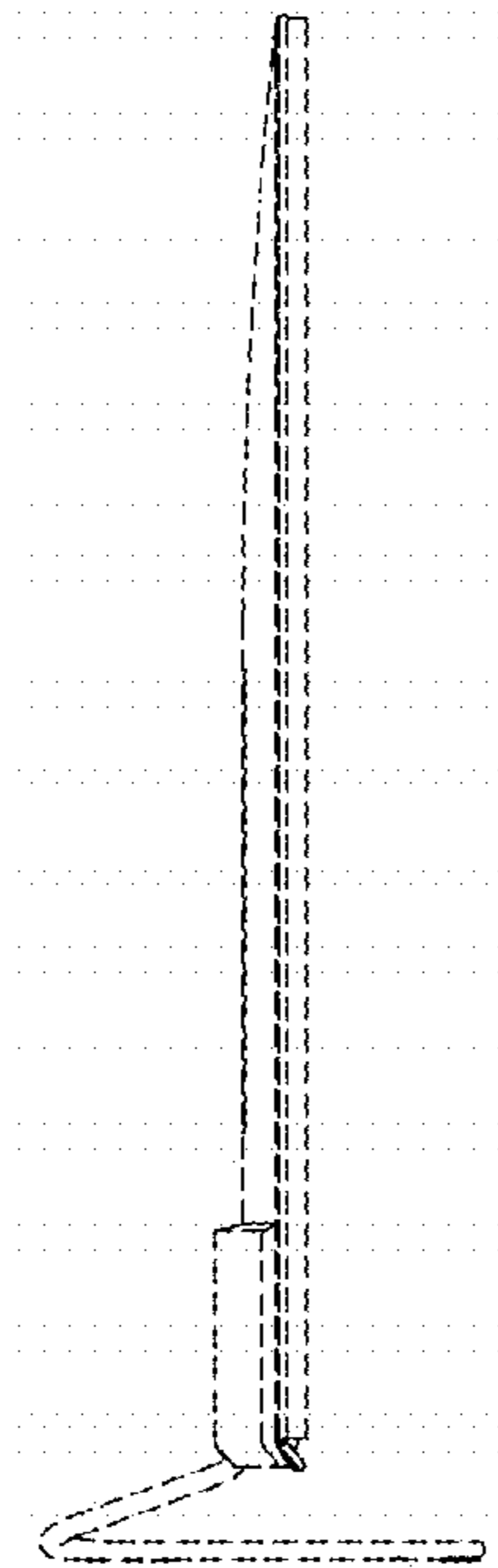


FIG. 5

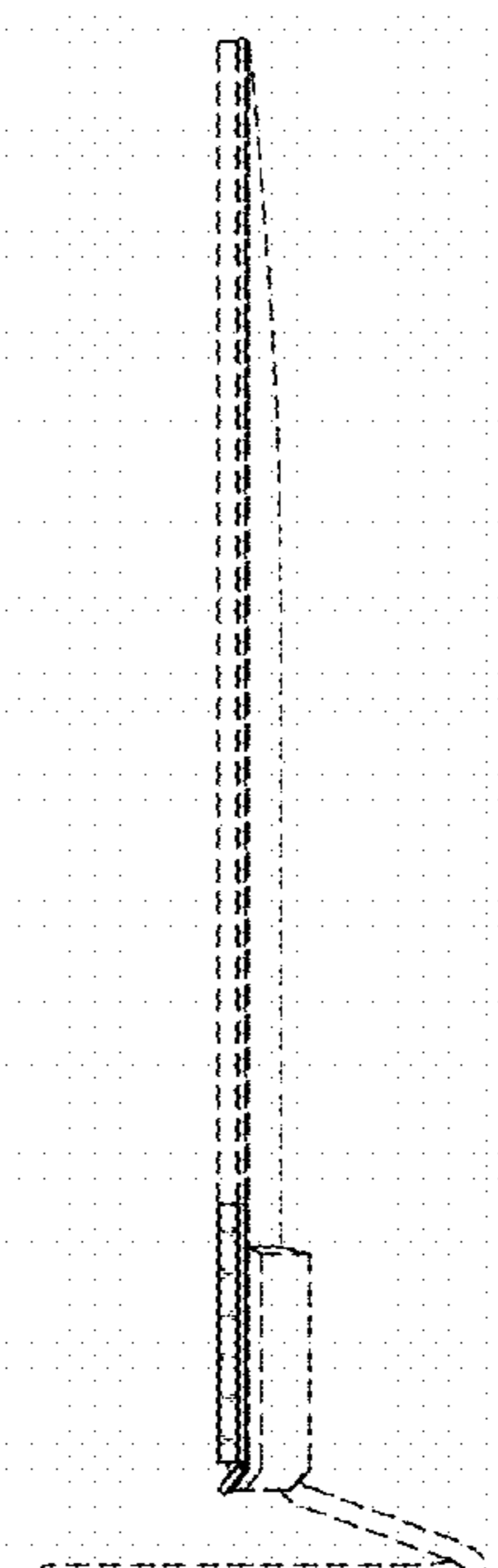


FIG. 6

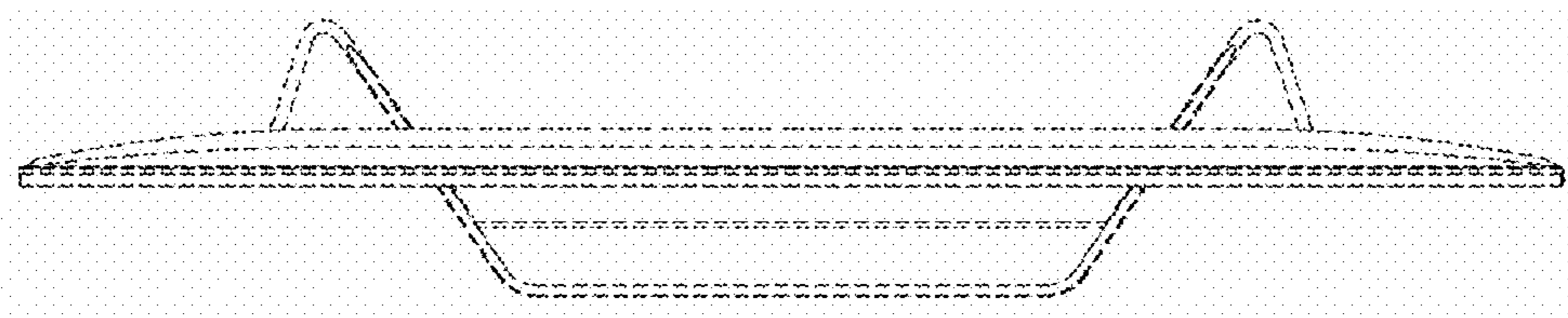


FIG. 7

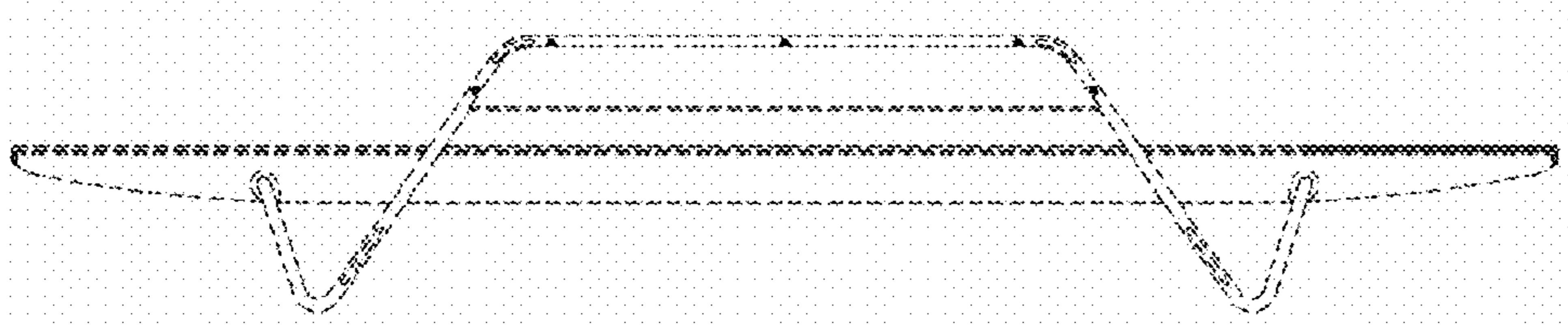


FIG. 8

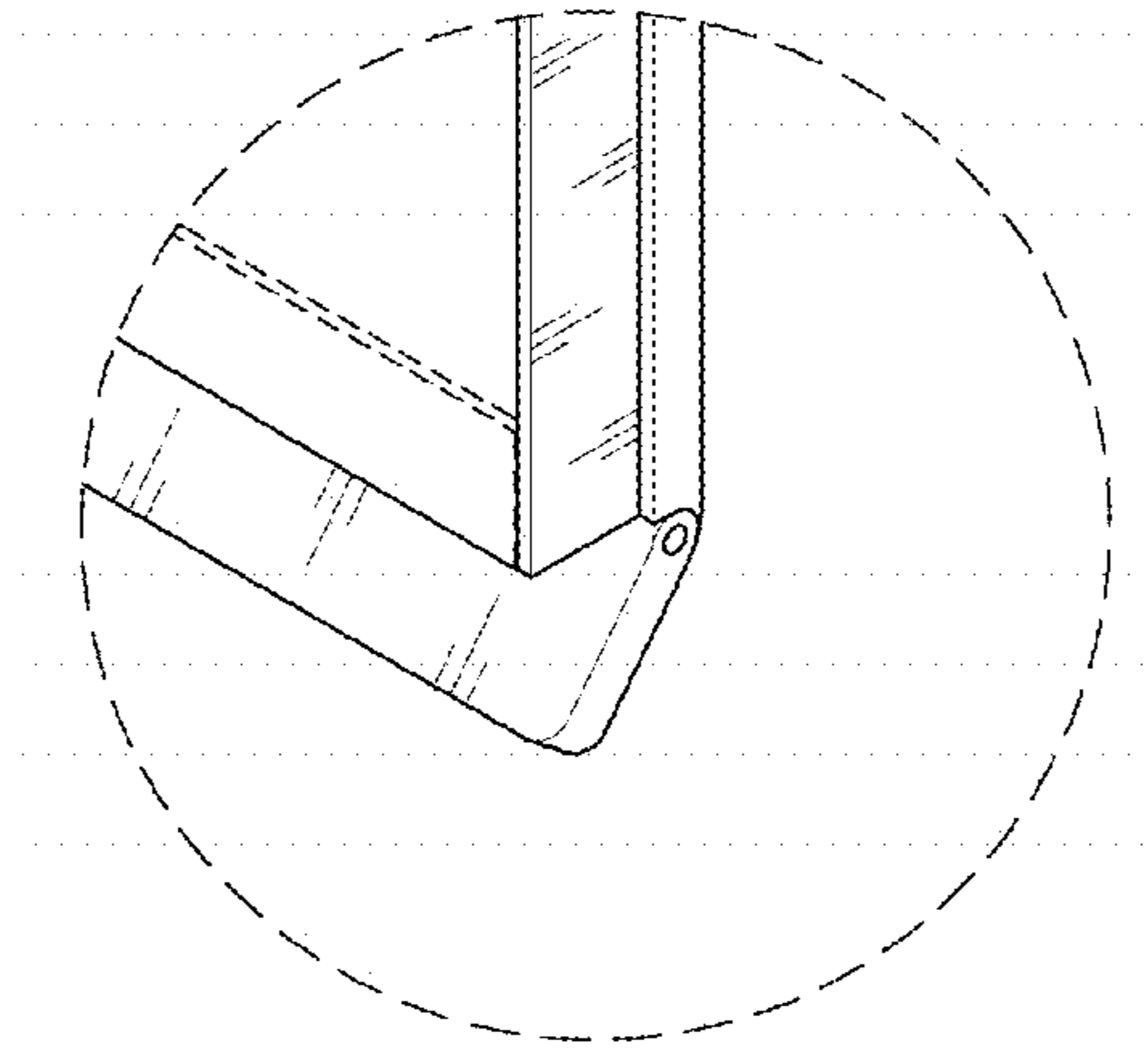


FIG. 9

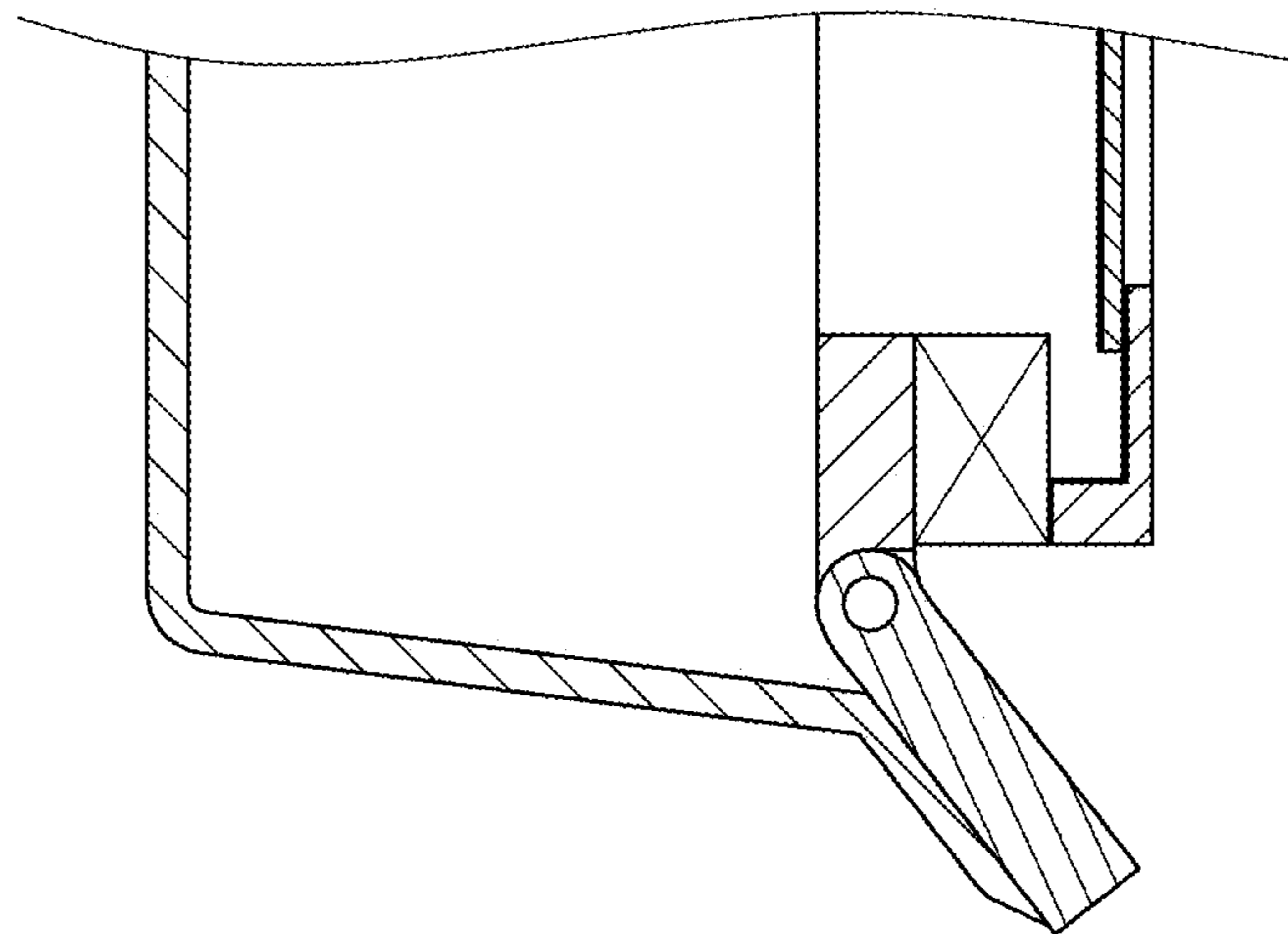


FIG. 10

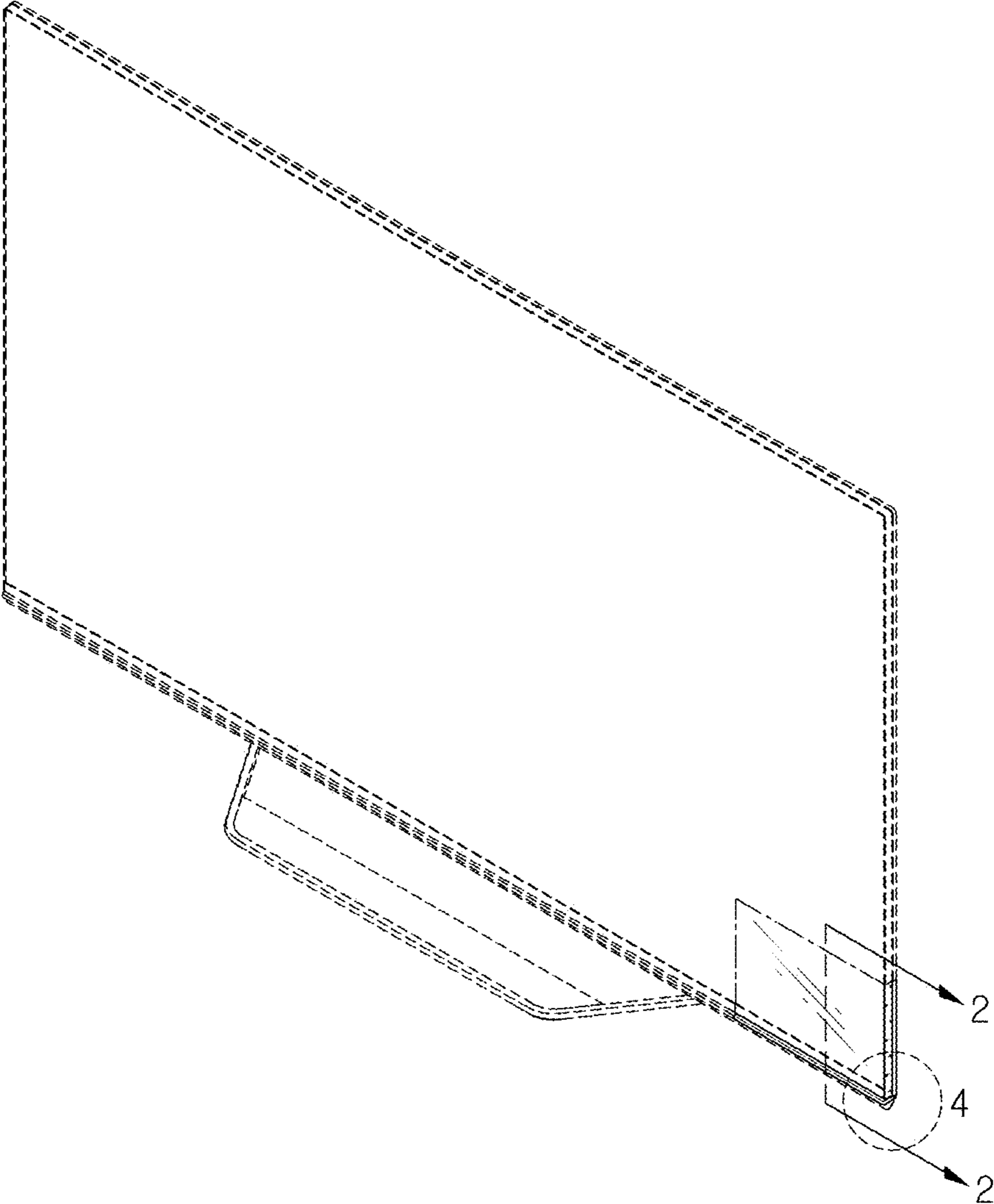


FIG. 11

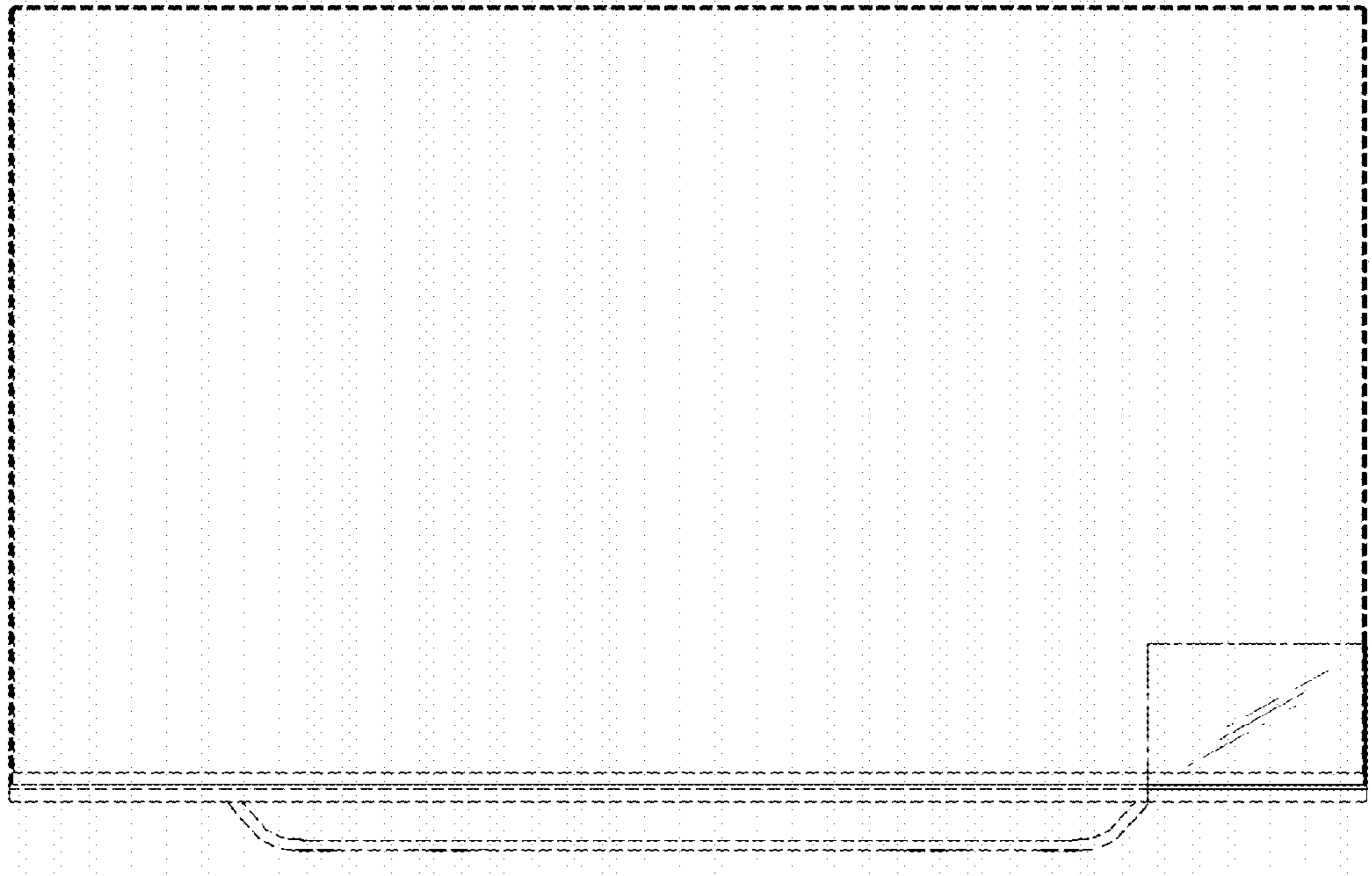


FIG. 12

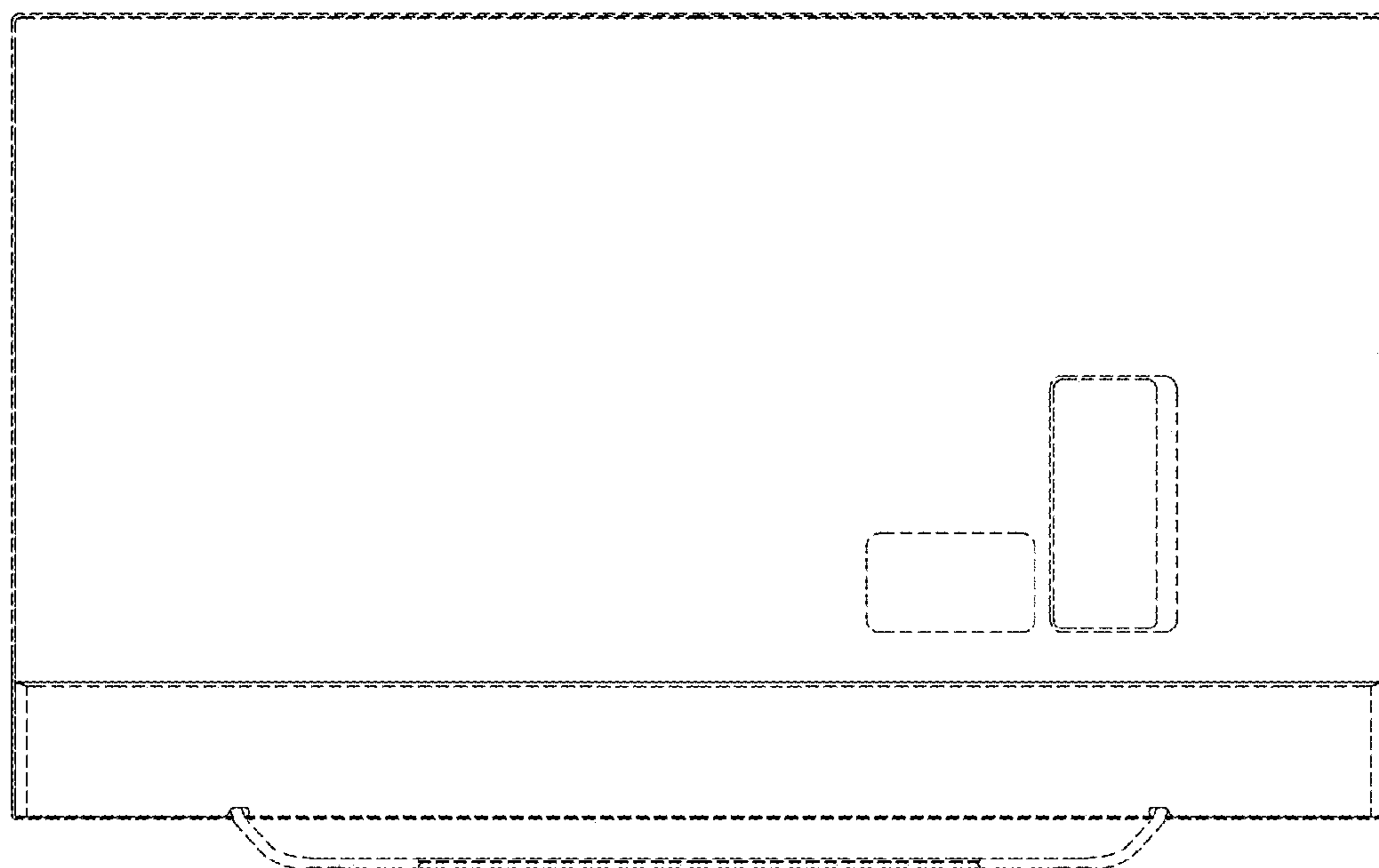


FIG. 13

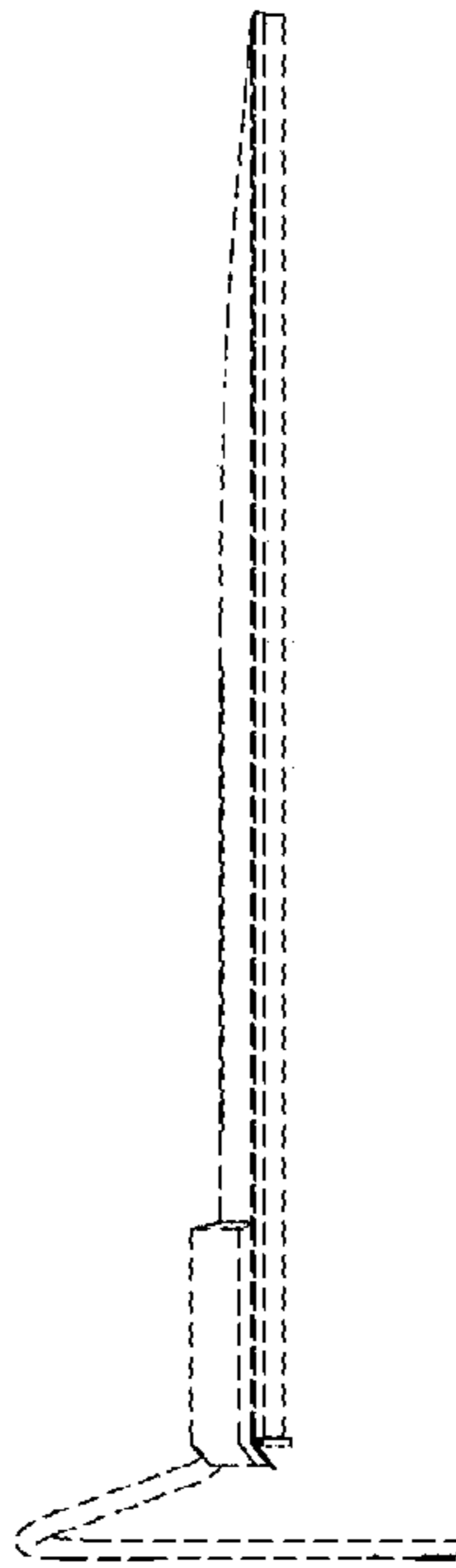


FIG. 14

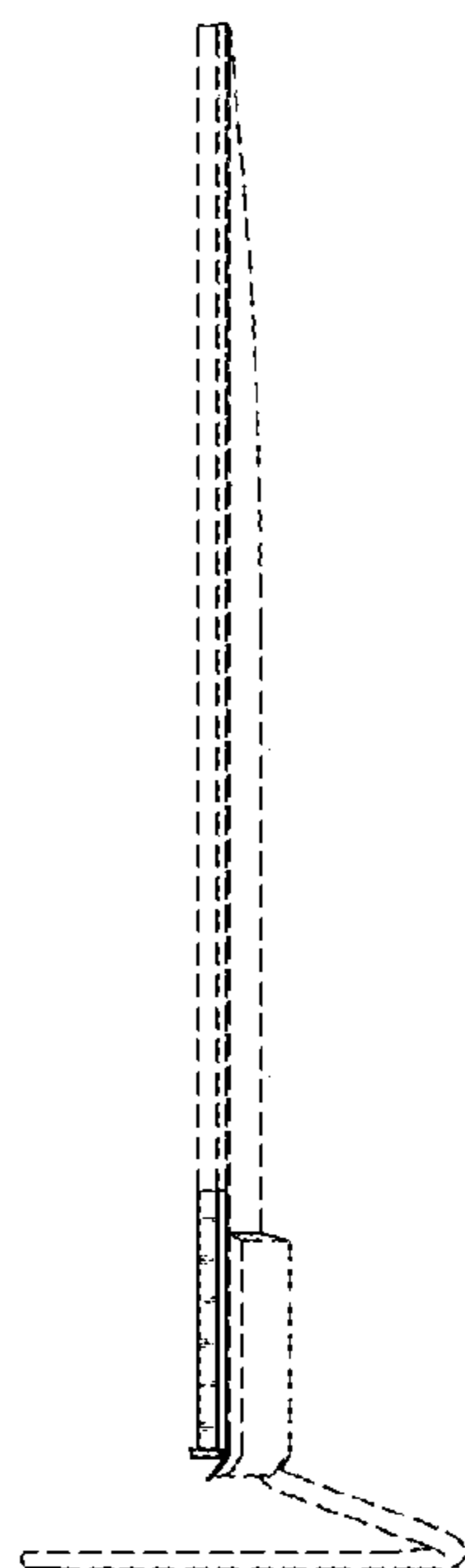


FIG. 15

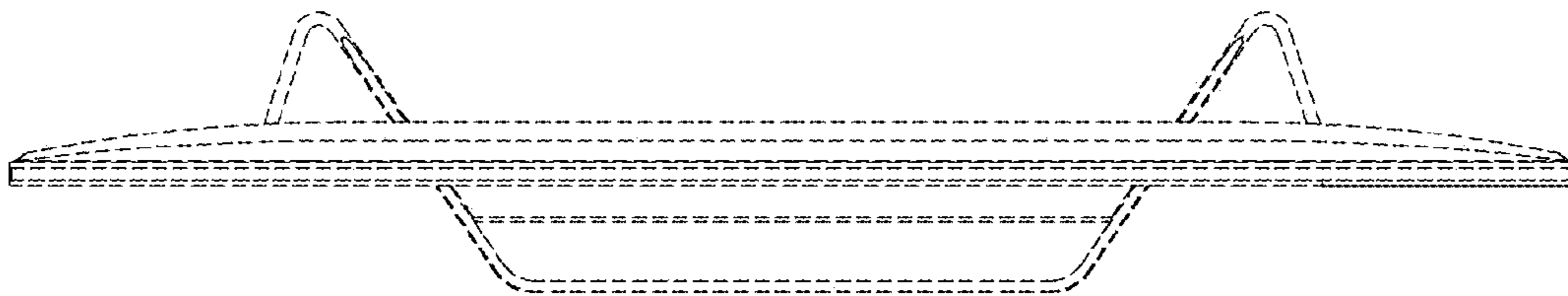


FIG. 16

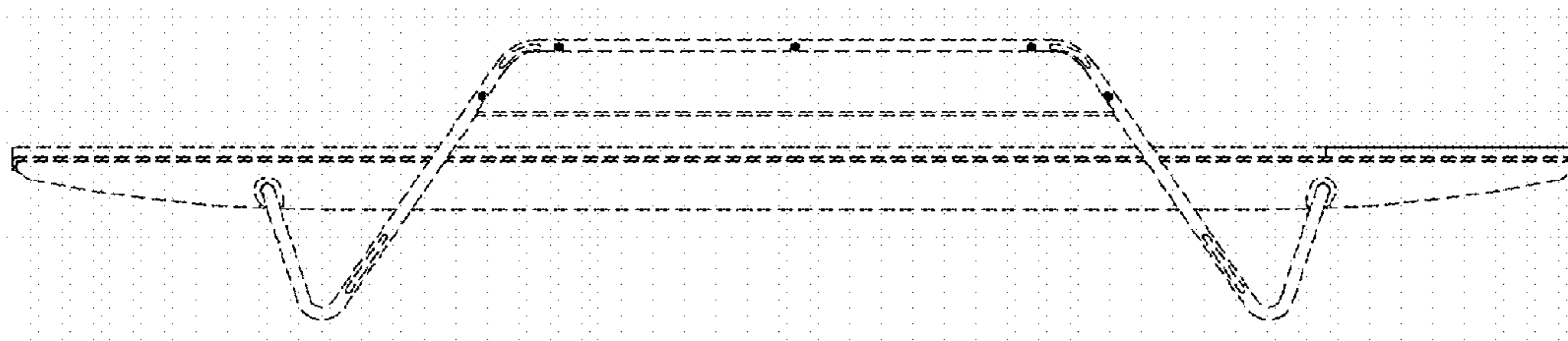


FIG. 17

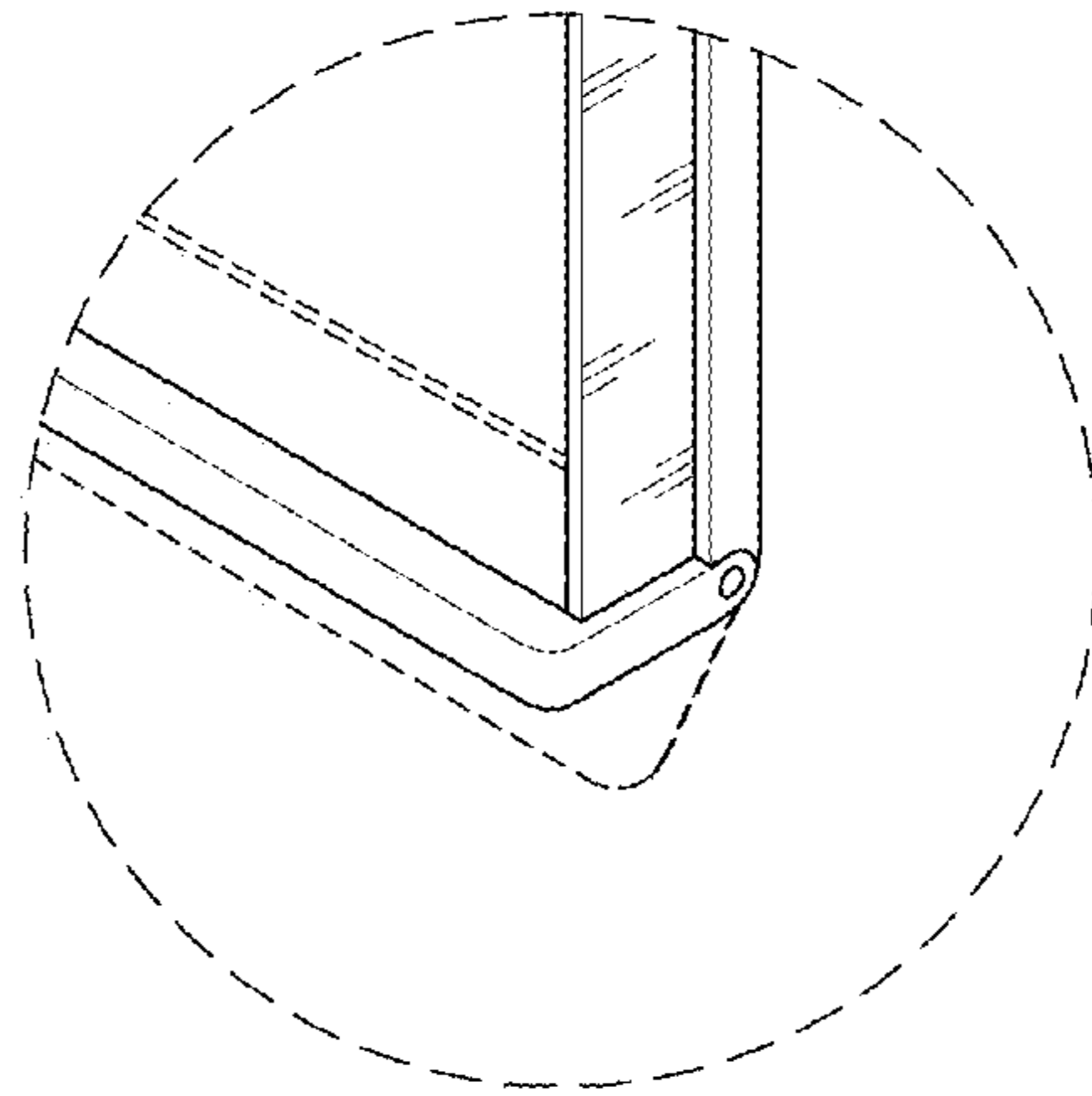


FIG. 18

