



US00D759607S

(12) **United States Design Patent**
Ann et al.

(10) **Patent No.:** **US D759,607 S**
(45) **Date of Patent:** **** Jun. 21, 2016**

(54) **TELEVISION RECEIVER**

(71) Applicant: **Samsung Electronics Co., Ltd.**,
Suwon-si (KR)

(72) Inventors: **Sungjin Ann**, Seoul (KR); **Sinwi Moon**,
Seogwipo-si (KR)

(73) Assignee: **Samsung Electronics Co., Ltd.**,
Suwon-si (KR)

(**) Term: **14 Years**

(21) Appl. No.: **29/495,271**

(22) Filed: **Jun. 30, 2014**

(30) **Foreign Application Priority Data**

Jan. 3, 2014 (KR) 30-2014-0000407

(51) **LOC (10) Cl.** **14-03**

(52) **U.S. Cl.**
USPC **D14/126**

(58) **Field of Classification Search**
USPC D14/125-134, 239, 371, 136, 374-377,
D14/440, 450, 448, 336, 342, 159; 312/7.2;
348/836, 838, 180, 184, 325, 739;
248/917-924, 465; 345/104, 133, 156,
345/168, 87, 173; D21/329, 515, 577, 622,
D21/333, 433, 448, 452, 450, 331, 505;
D10/15, 26; 446/484, 175, 356;
D6/477, 479, 300; D20/10, 19, 39
CPC ... G06F 1/1601; G06F 1/1643; H05K 5/0004;
H05K 5/0017; H05K 5/02; H05K 5/0217;
H04N 13/0459

See application file for complete search history.

(56) **References Cited**

U.S. PATENT DOCUMENTS

D499,386 S * 12/2004 Yang D14/126
D540,277 S * 4/2007 Kim D14/126
D546,788 S * 7/2007 Isshiki D14/126
D565,520 S * 4/2008 Yoshimura D14/126

D569,816 S * 5/2008 Fujiki D14/126
D572,679 S * 7/2008 Asanuma D14/126
D572,684 S * 7/2008 Suzuki D14/126
D576,122 S * 9/2008 Suzuki D14/126
D576,976 S * 9/2008 Rieu Piquet D14/126
D611,438 S * 3/2010 Kubota D14/126
D640,998 S * 7/2011 Takami D14/126
D642,149 S * 7/2011 Inoue D14/126
D694,726 S * 12/2013 Yamaguchi D14/126
D717,283 S * 11/2014 Yoon D14/126
D726,137 S * 4/2015 Lee D14/126

* cited by examiner

Primary Examiner — Raphael Barkai
(74) *Attorney, Agent, or Firm* — NSIP Law

(57) **CLAIM**

We claim the ornamental design for a television receiver, as shown and described.

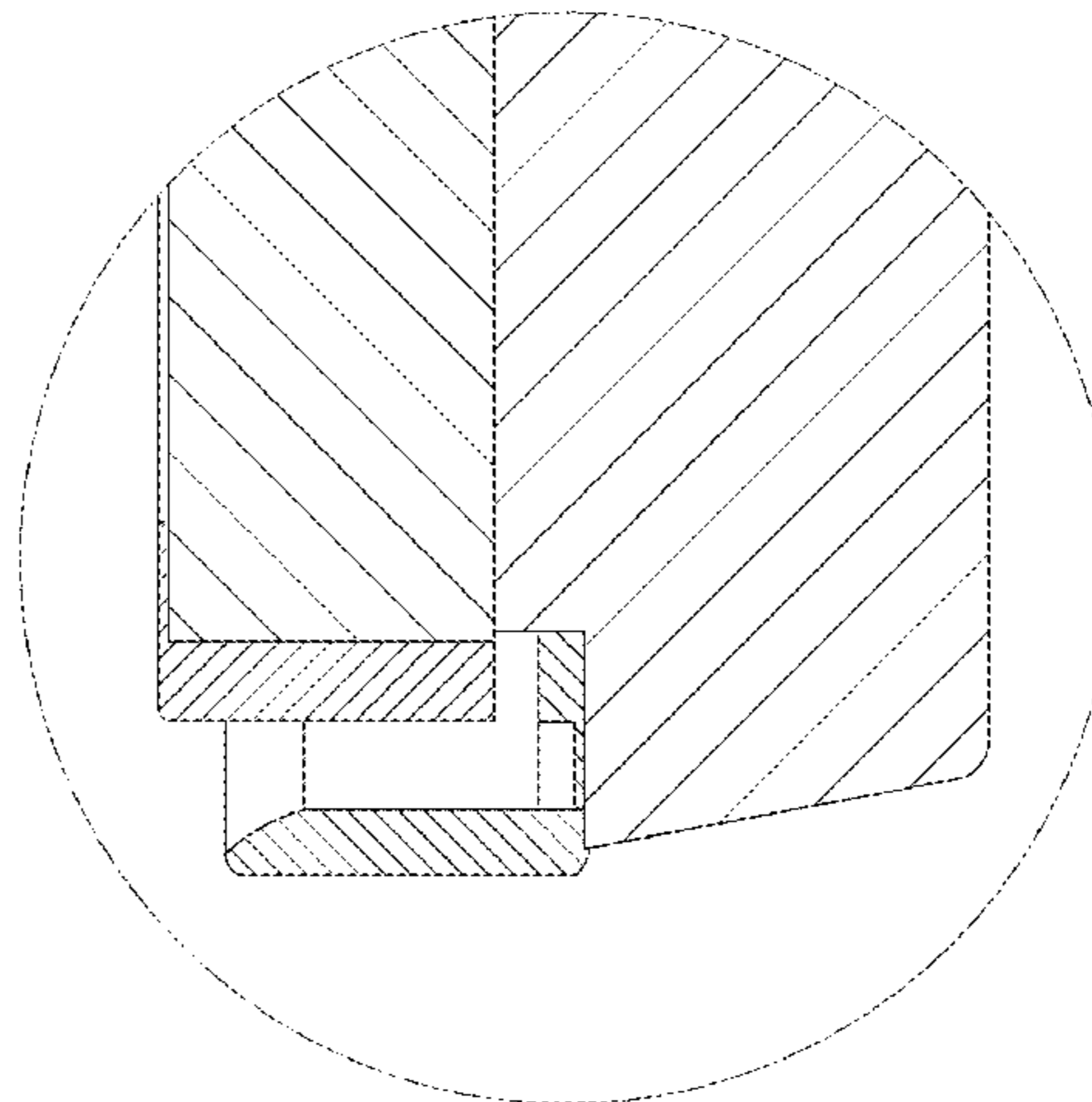
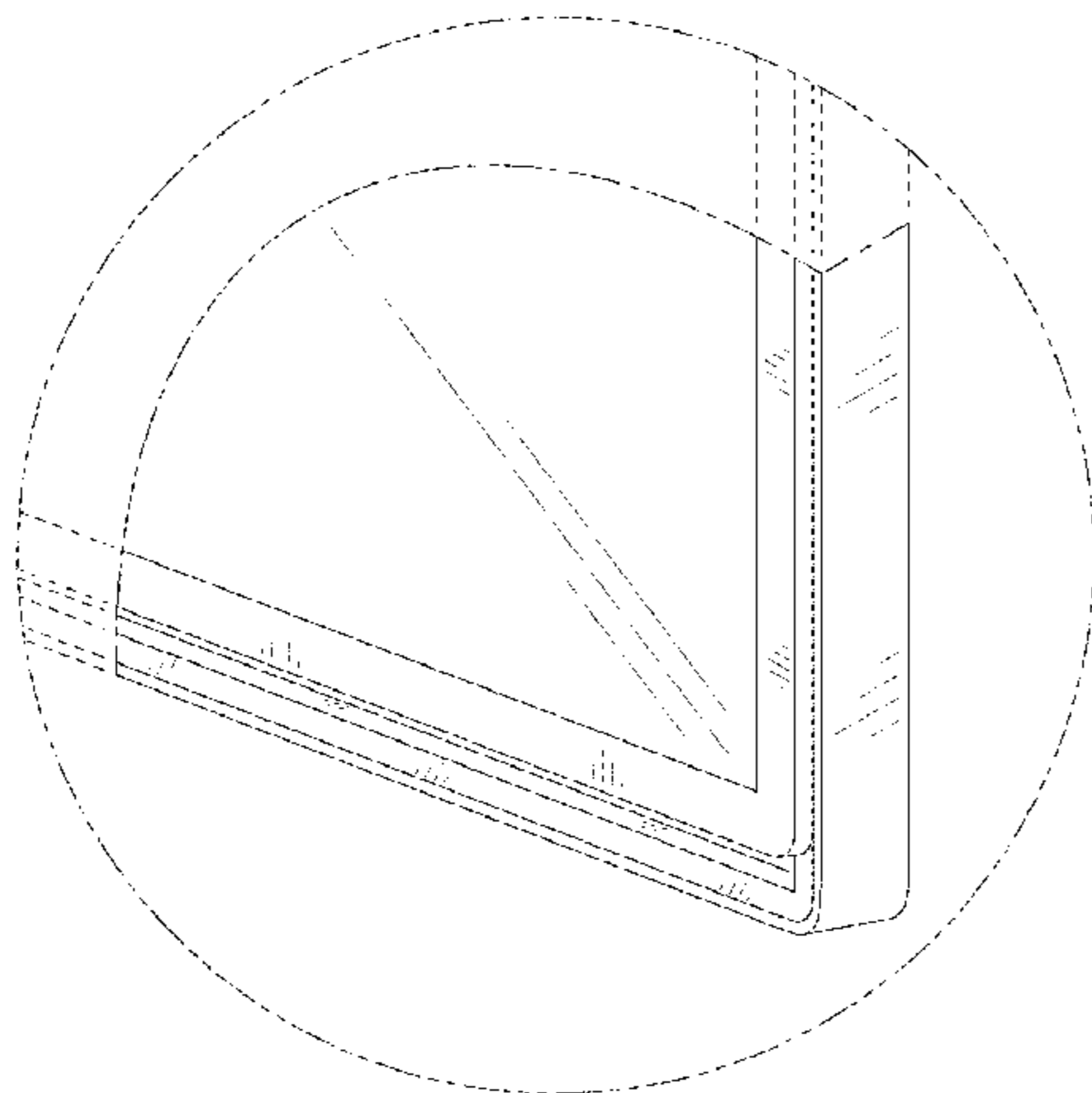
DESCRIPTION

FIG. 1 is a front perspective view of a television receiver showing our new design;
FIG. 2 is a front view thereof;
FIG. 3 is a rear view thereof;
FIG. 4 is a left-side view thereof;
FIG. 5 is a right-side view thereof;
FIG. 6 is a top view thereof;
FIG. 7 is a bottom view thereof;
FIG. 8 is an enlarged view of the encircled portion in FIG. 1;
FIG. 9 is an enlarged view of the encircled portion in FIG. 2;
and,
FIG. 10 is an enlarged cross-sectional view of the encircled portion in FIG. 2 taken through line of 10-10.

The broken lines in the figures show portions of the television receiver which form no part of the claimed design.
The dot-dash broken lines in the figures represent an unclaimed boundary line and form no part of the claimed design.

The dot-dot-dash broken lines encircling portions of the claimed design that are illustrated in enlargements form no part of the claimed design.

1 Claim, 10 Drawing Sheets



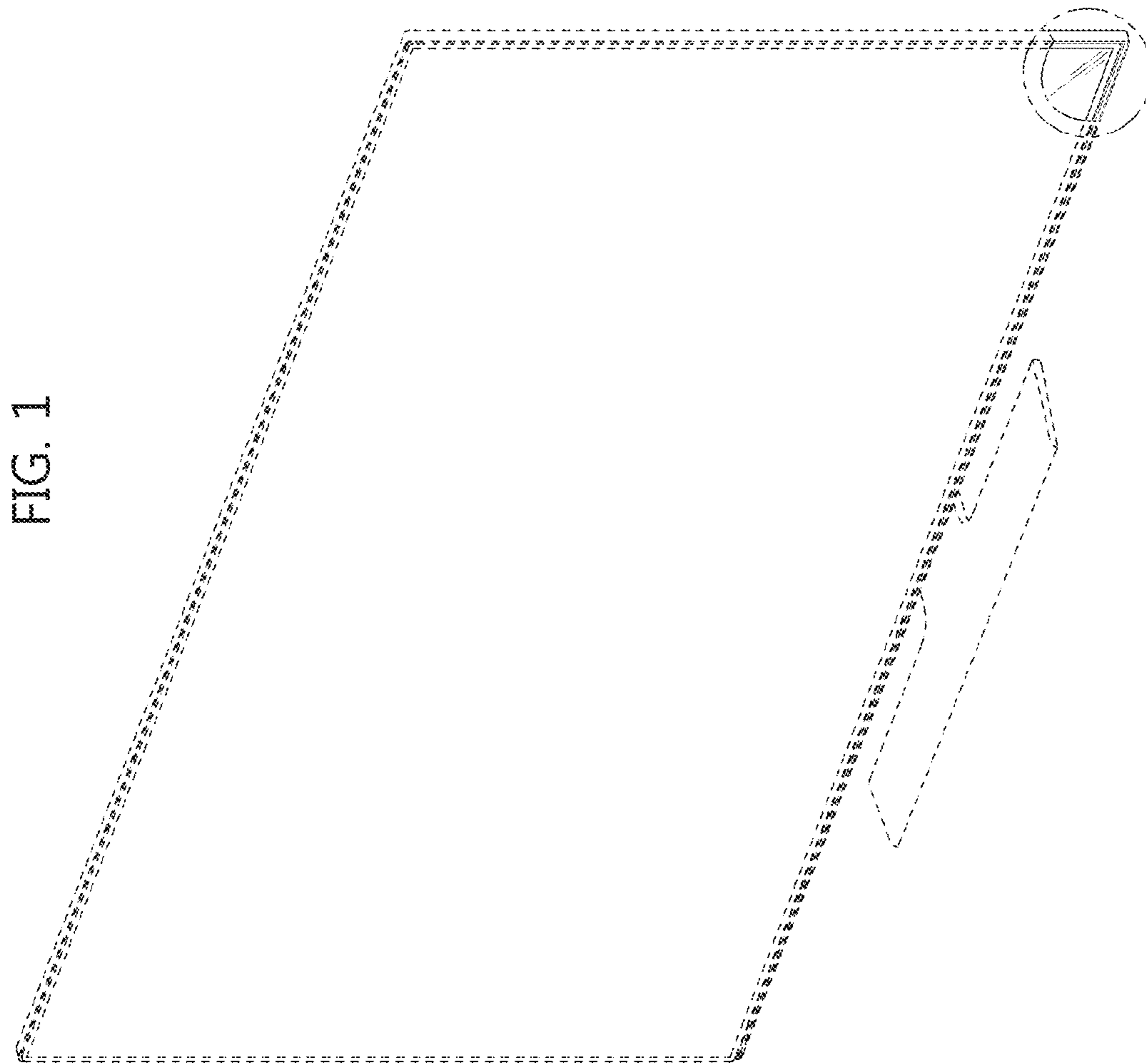


FIG. 2

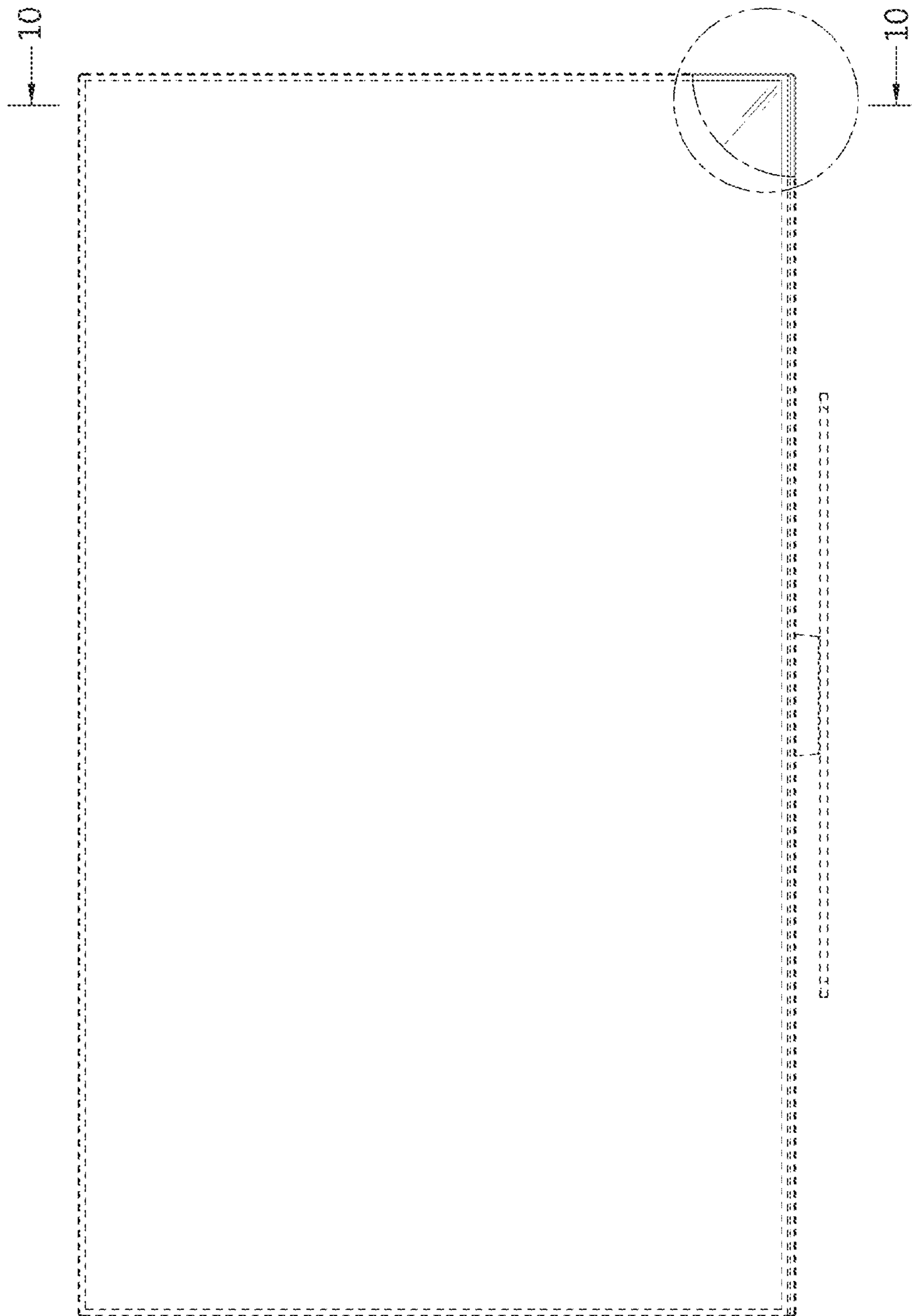


FIG. 3

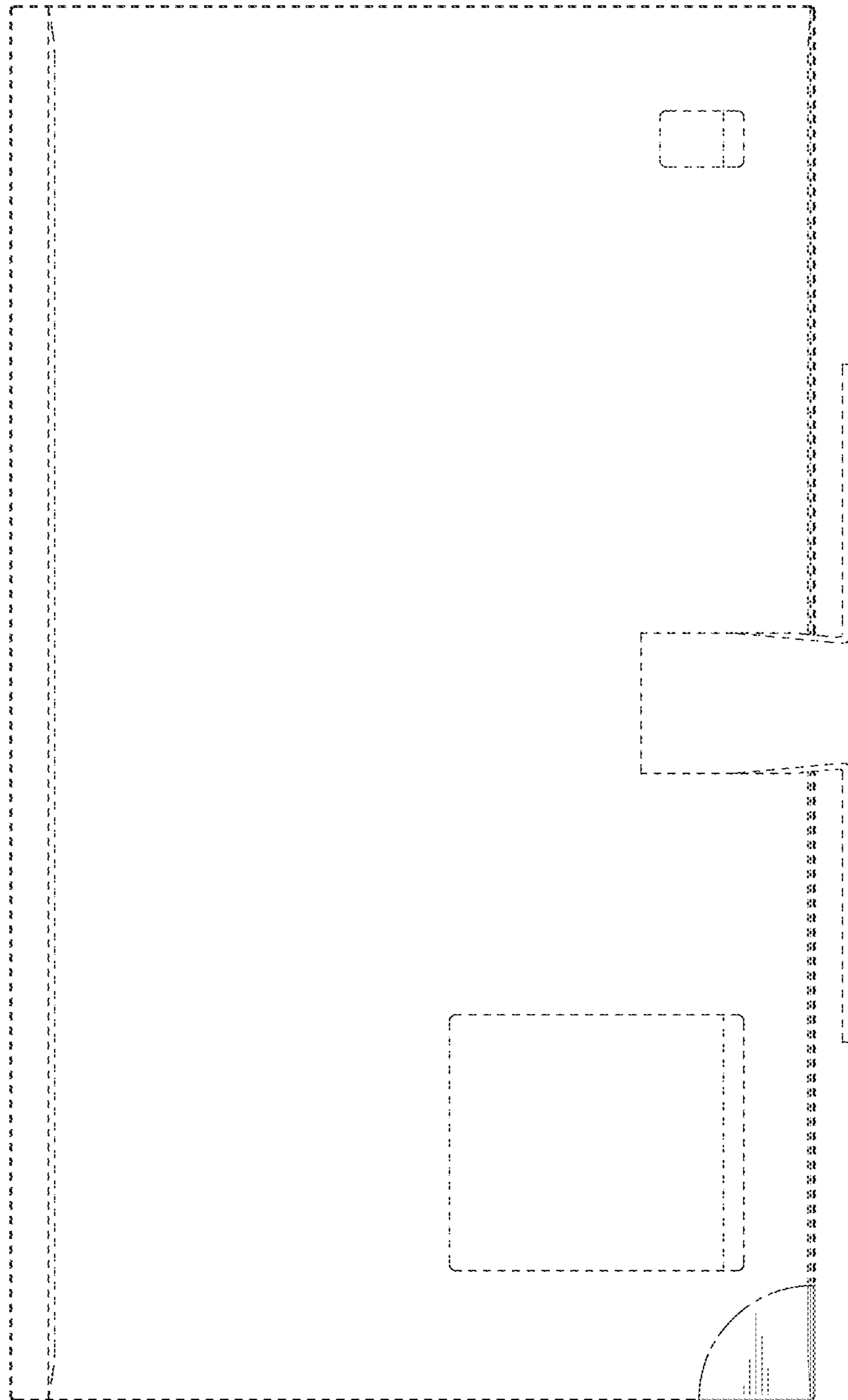


FIG. 4

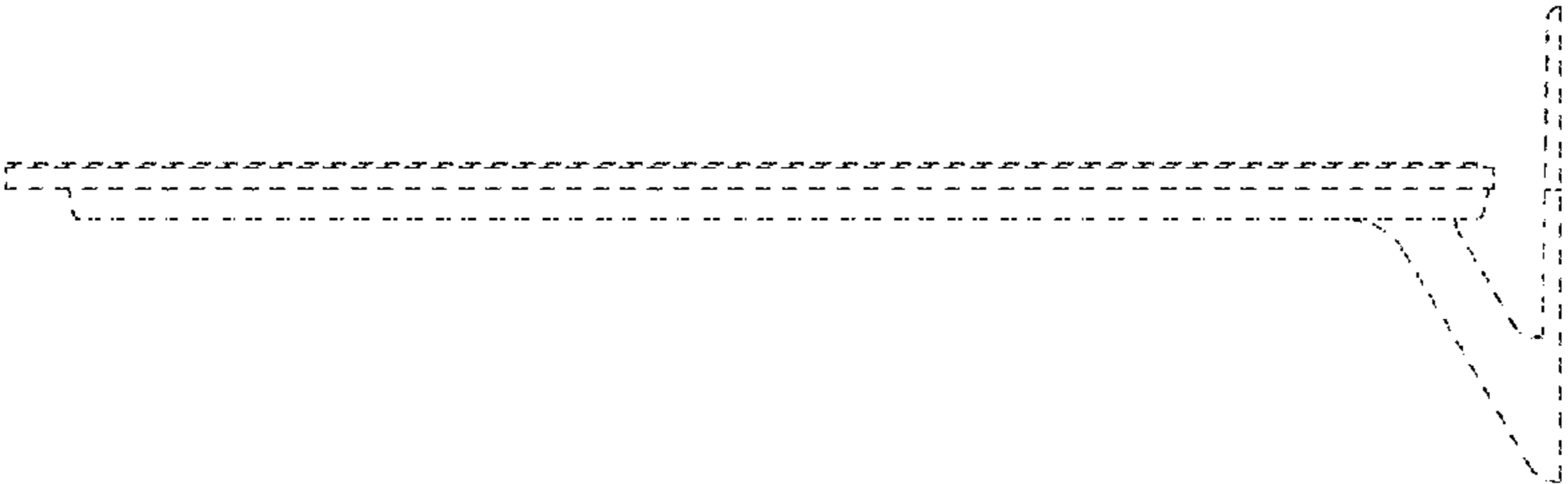


FIG. 5

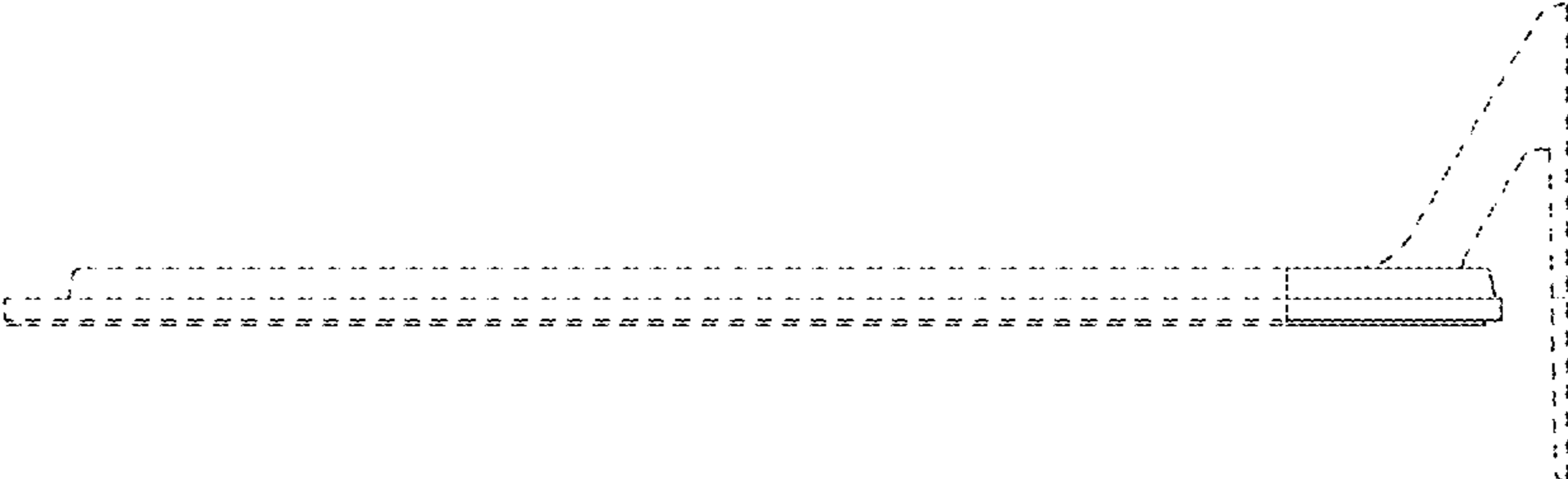


FIG. 6

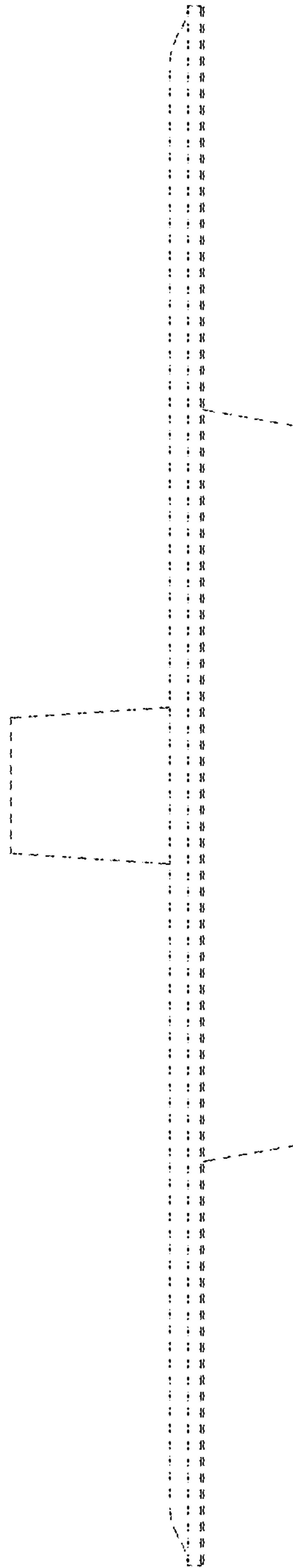


FIG. 7

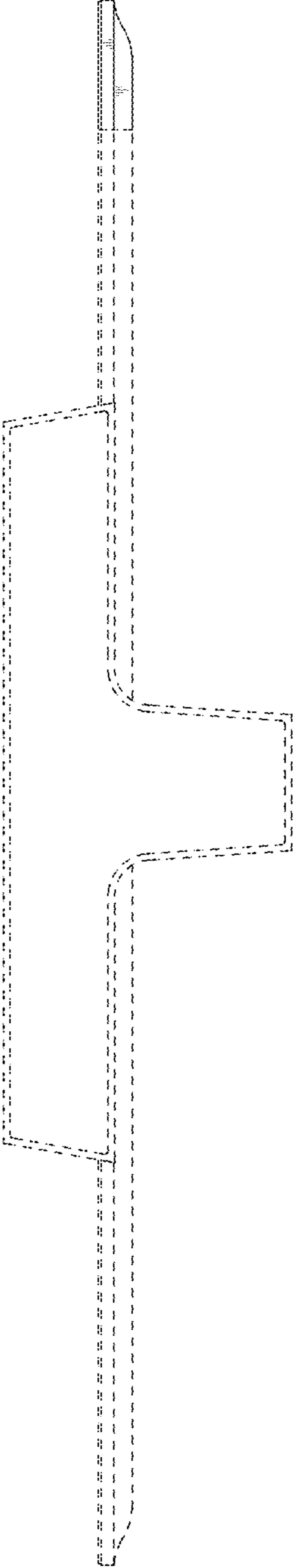


FIG. 8

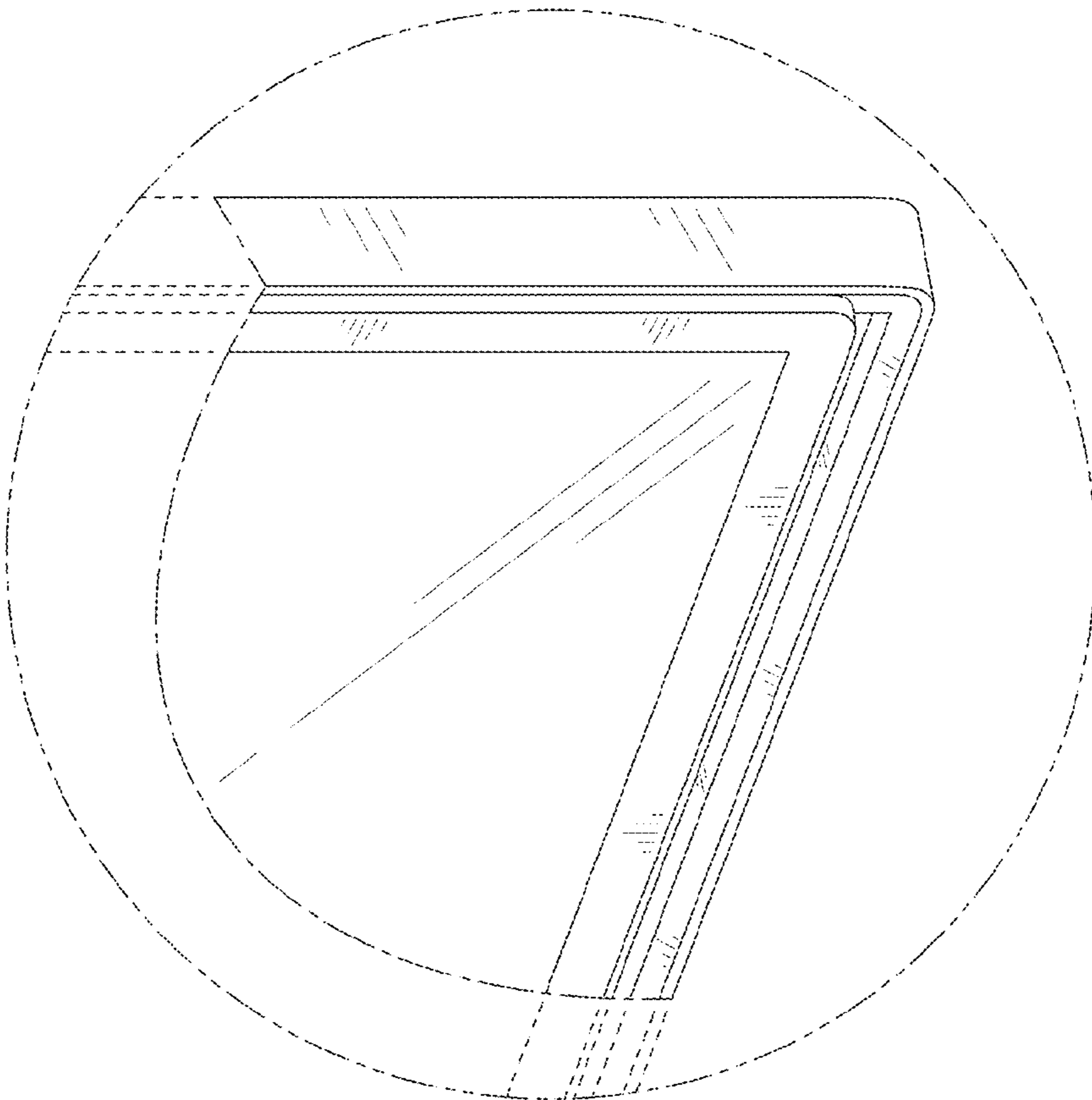


FIG. 9

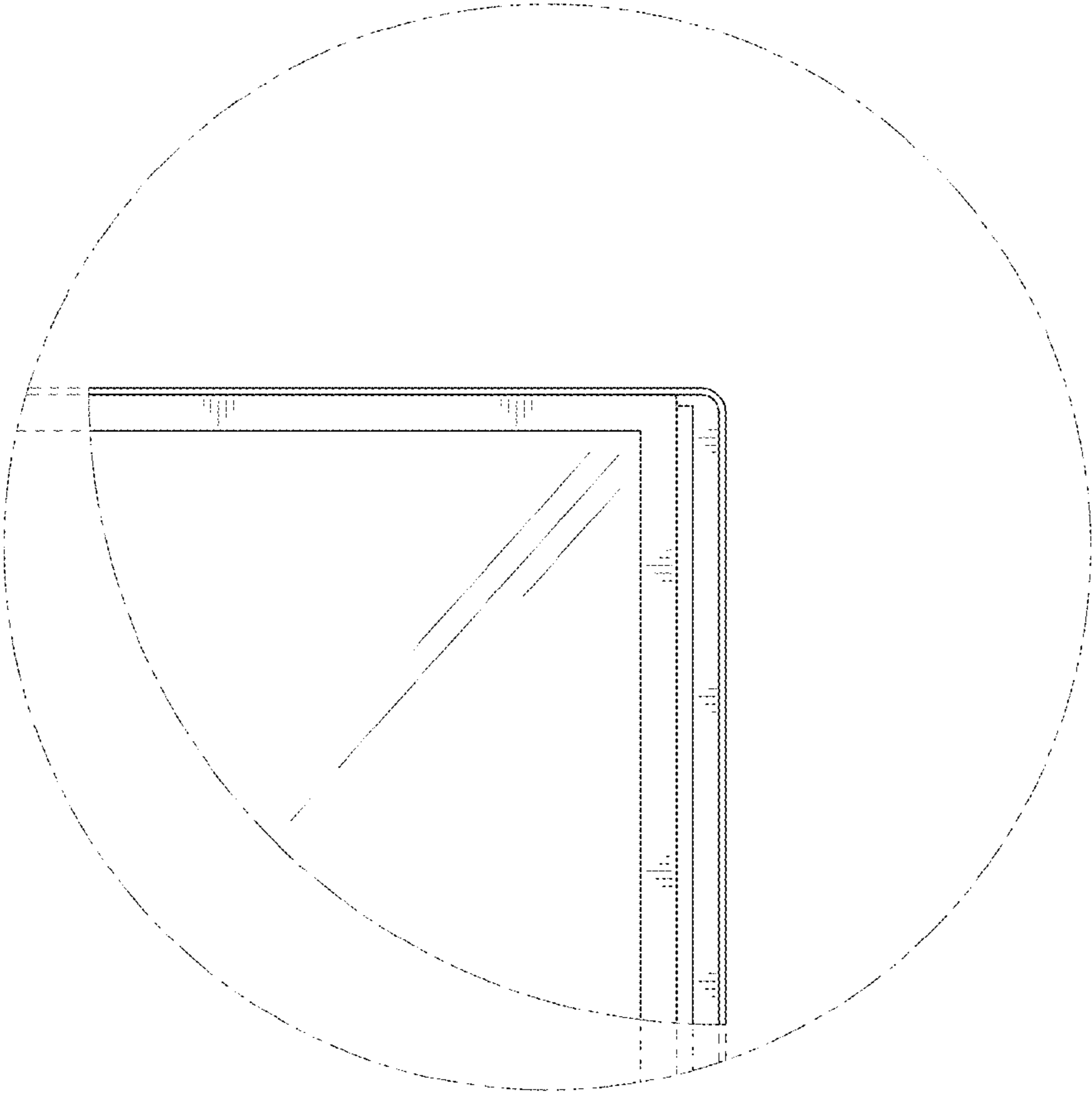


FIG. 10

