



US00D759606S

(12) **United States Design Patent**
Stowers et al.

(10) **Patent No.:** **US D759,606 S**
(45) **Date of Patent:** **** Jun. 21, 2016**

- (54) **CONTACT EXTRACTION TOOL**
- (71) Applicants: **Jeffery P Stowers**, Mount Sidney, VA (US); **Darryl M Ashby**, Weyers Cave, VA (US); **David L Rucker**, Earlysville, VA (US); **Christopher Church-Diccio**, Waynesboro, VA (US)
- (72) Inventors: **Jeffery P Stowers**, Mount Sidney, VA (US); **Darryl M Ashby**, Weyers Cave, VA (US); **David L Rucker**, Earlysville, VA (US); **Christopher Church-Diccio**, Waynesboro, VA (US)
- (73) Assignee: **Virginia Panel Corporation**, Waynesboro, VA (US)

2006/0270256 A1* 11/2006 Huss H01R 13/432
439/157
2009/0053937 A1 2/2009 Tsou
2011/0177699 A1 7/2011 Crofoot

FOREIGN PATENT DOCUMENTS

EP 2 058 904 11/2008

* cited by examiner

Primary Examiner — Deanna L Pratt
(74) *Attorney, Agent, or Firm* — 24IP Law Group; Timothy R. DeWitt

(57) **CLAIM**
The ornamental design for a contact extraction tool, as shown and described.

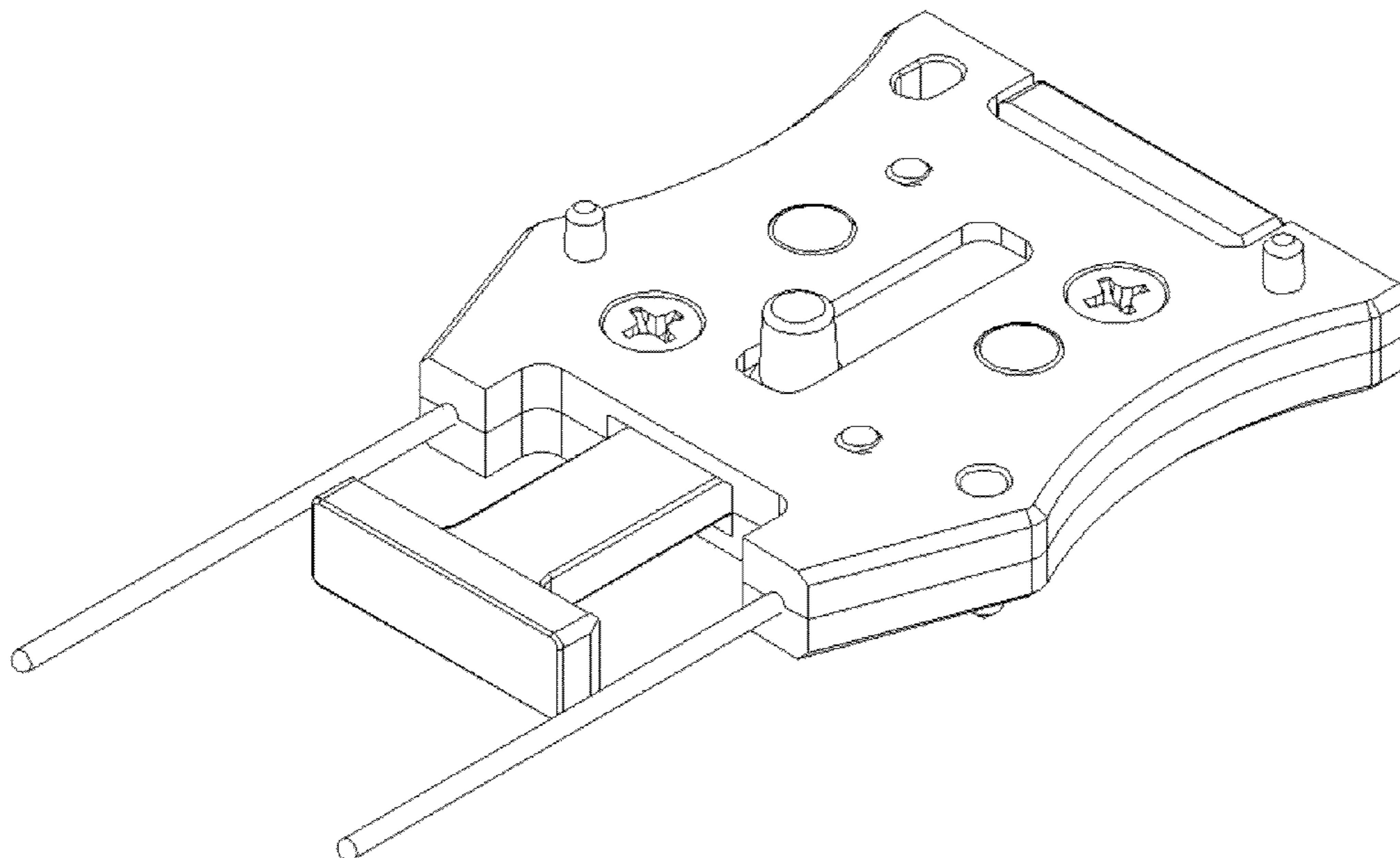
DESCRIPTION

FIG. 1 is a top perspective view of a contact extraction tool showing our new design;
 FIG. 2 is a bottom perspective view of the contact extraction tool shown in FIG. 1;
 FIG. 3 is a top view of the contact extraction tool shown in FIG. 1;
 FIG. 4 is a right side view of the contact extraction tool shown in FIG. 1;
 FIG. 5 is a left side view of the contact extraction tool shown in FIG. 1;
 FIG. 6 is a bottom view of the contact extraction tool shown in FIG. 1;
 FIG. 7 is a front view of the contact extraction tool shown in FIG. 1; and,
 FIG. 8 is a rear view of the contact extraction tool shown in FIG. 1.

- (**) Term: **14 Years**
- (21) Appl. No.: **29/503,335**
- (22) Filed: **Sep. 25, 2014**
- (51) **LOC (10) Cl.** **13-99**
- (52) **U.S. Cl.**
USPC **D13/199; D8/51**
- (58) **Field of Classification Search**
USPC D14/432, 433, 299; D13/199, 154;
D8/14, 51
See application file for complete search history.

- (56) **References Cited**
U.S. PATENT DOCUMENTS
6,098,276 A * 8/2000 Espiritu B25B 27/10
29/747
9,246,286 B2 * 1/2016 Stowers H01R 13/514

1 Claim, 3 Drawing Sheets



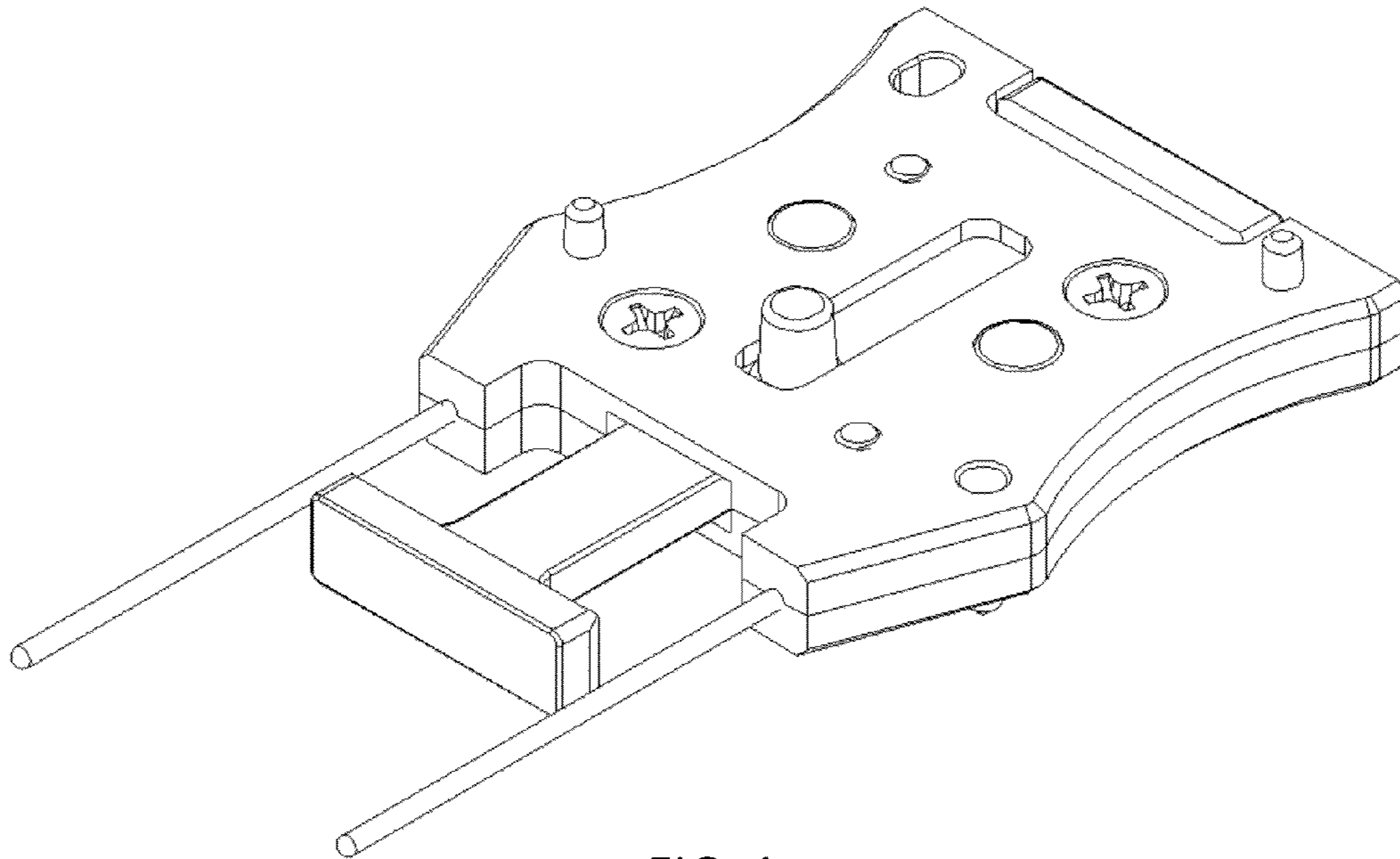


FIG. 1

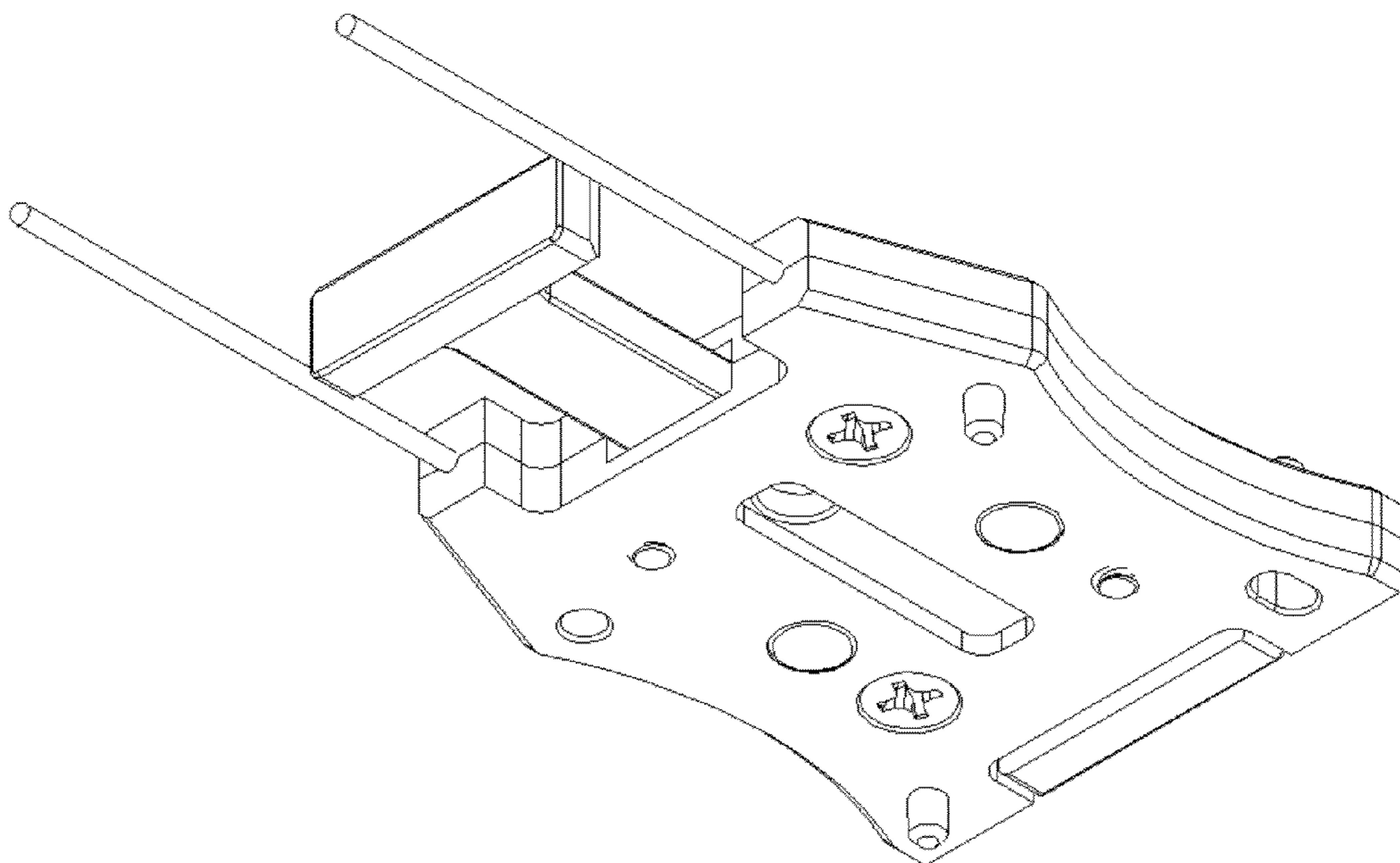


FIG. 2

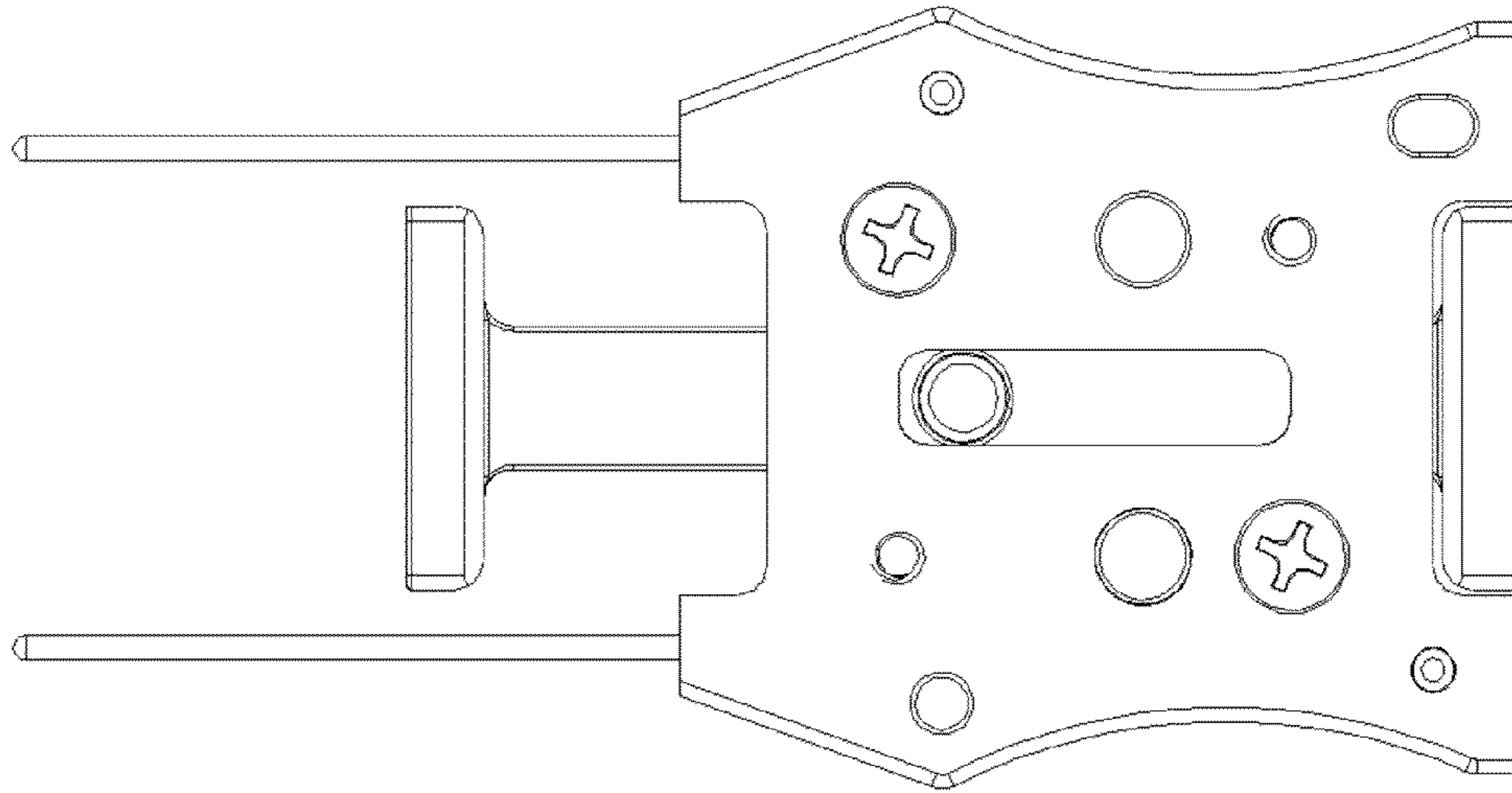


FIG. 3

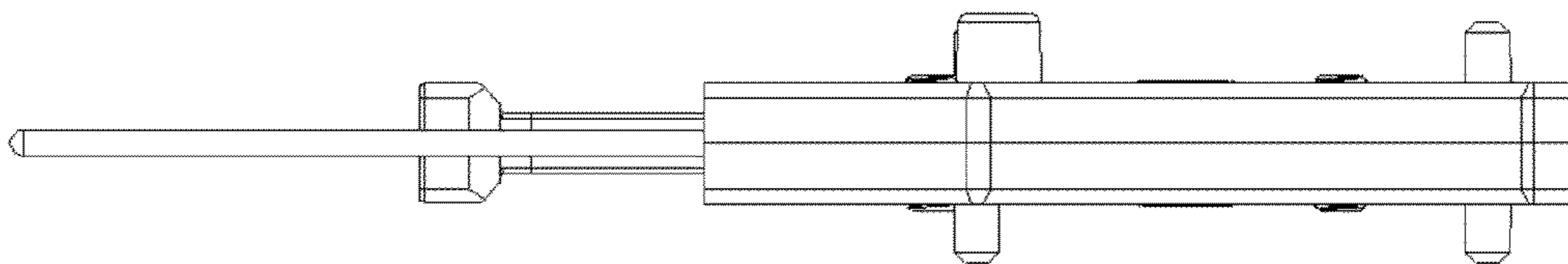


FIG. 4

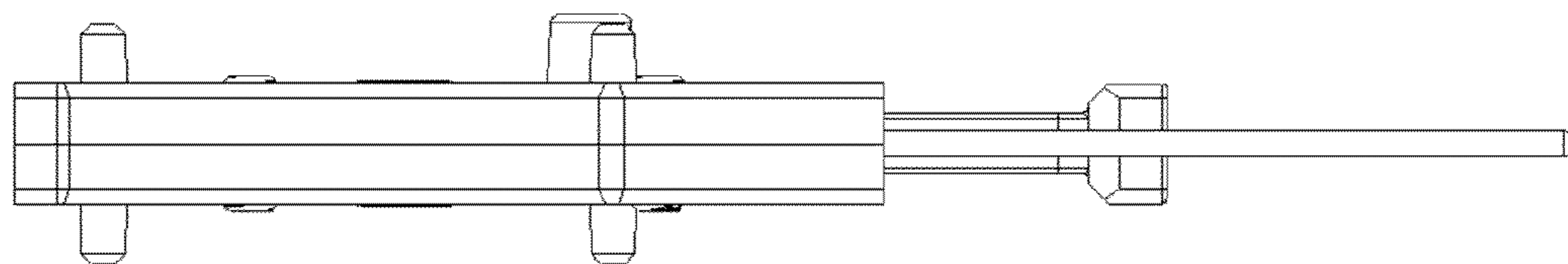


FIG. 5

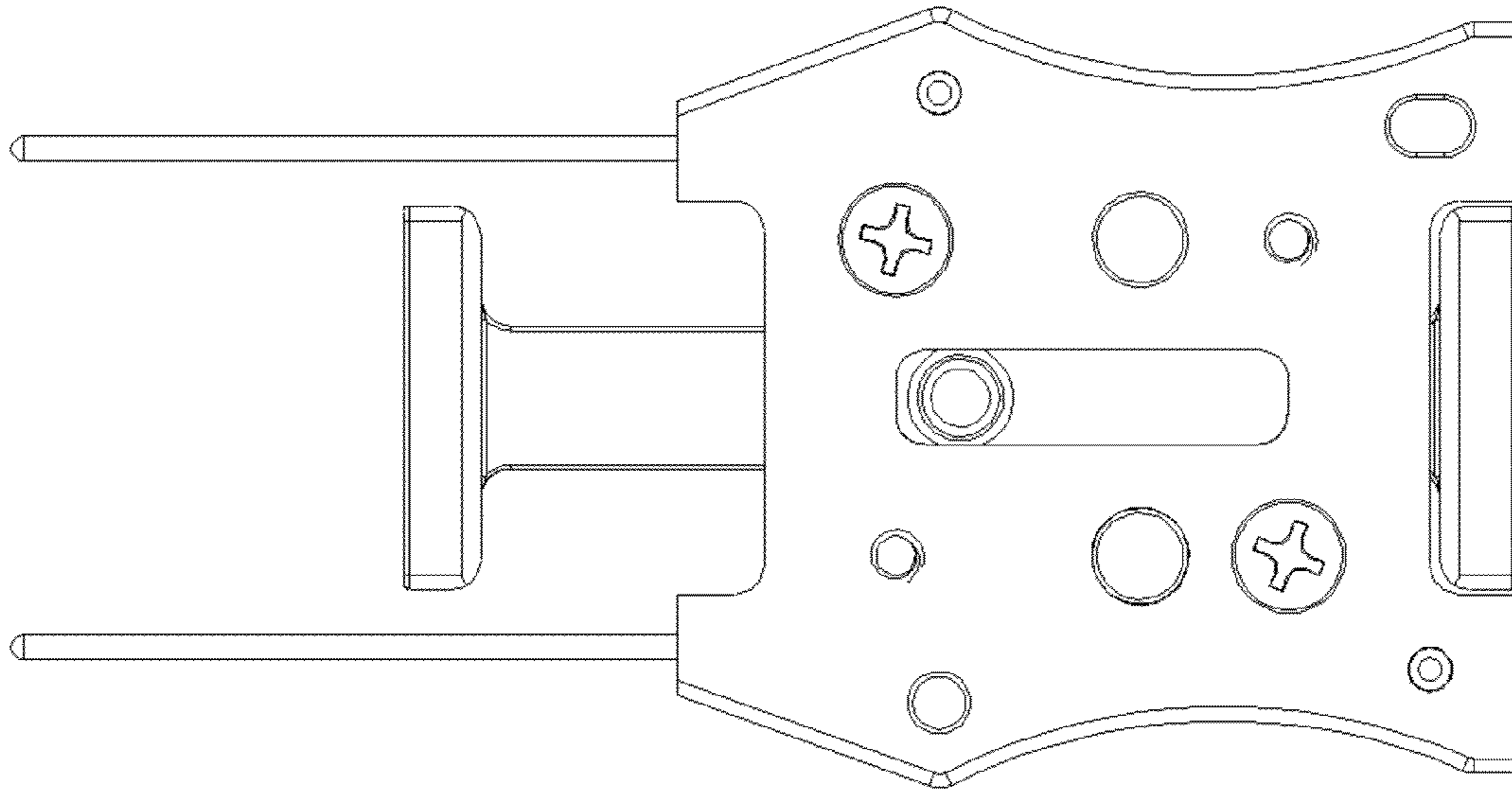


FIG. 6

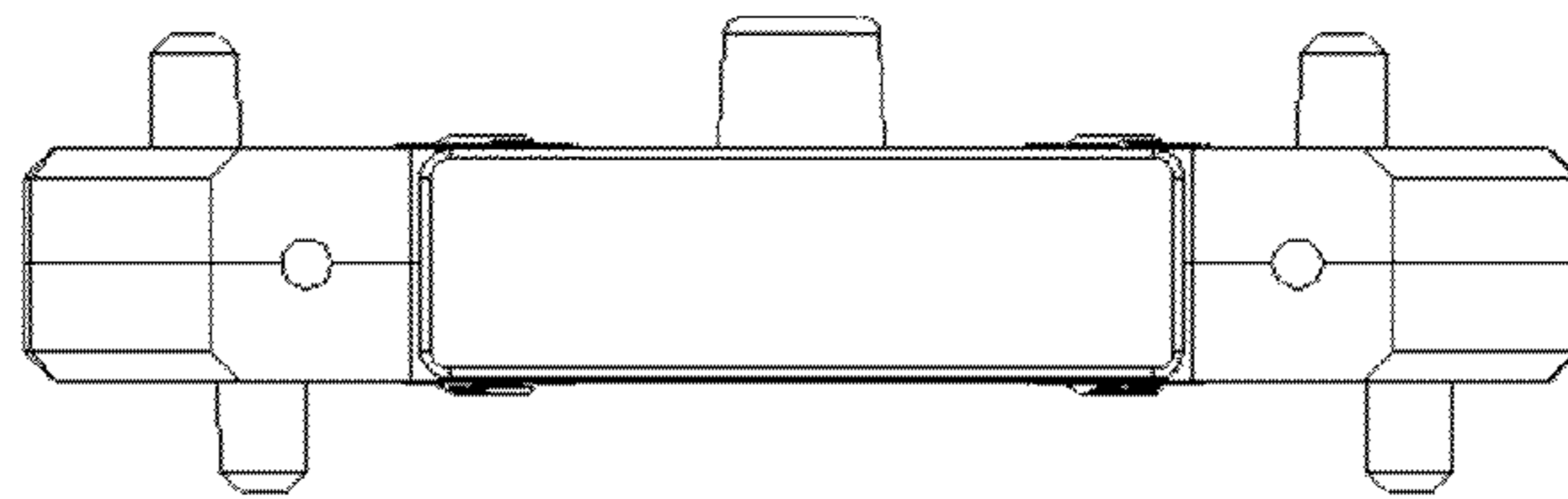


FIG. 7

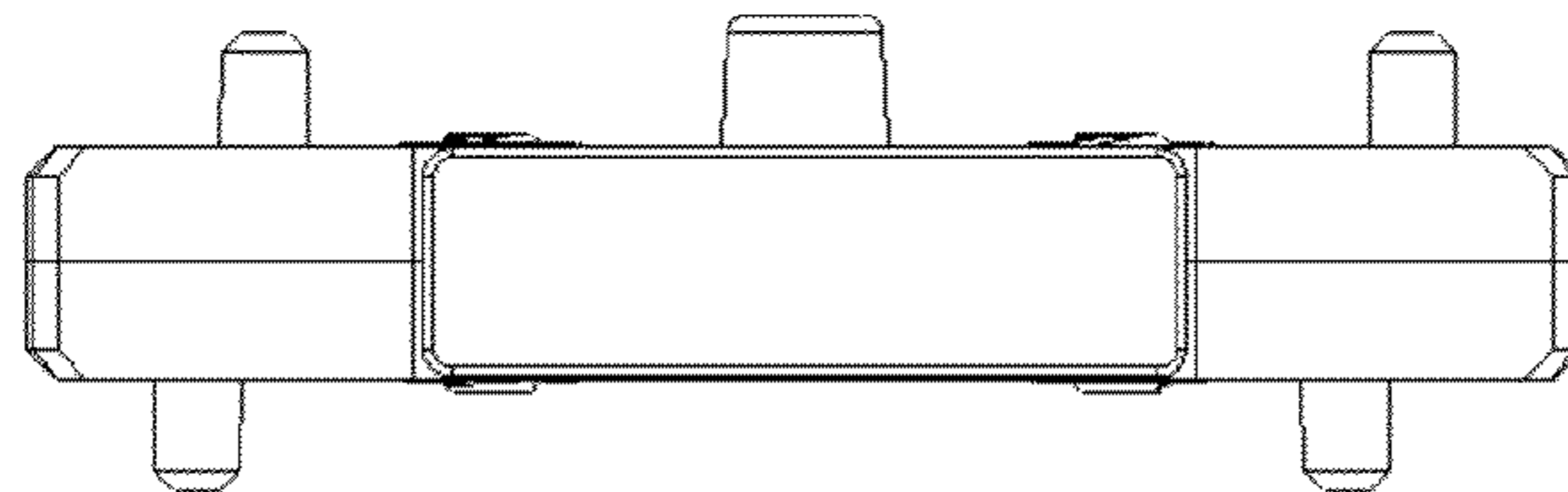


FIG. 8