



US00D759602S

(12) **United States Design Patent**
Murphy et al.

(10) **Patent No.:** **US D759,602 S**
(45) **Date of Patent:** **** Jun. 21, 2016**

(54) **BUSBAR**

(71) Applicant: **General Electric Company,**
Schenectady, NY (US)

(72) Inventors: **Mark Allen Murphy,** Erie, PA (US);
Jeffrey John Wolff, Lawrence Park, PA
(US)

(73) Assignee: **General Electric Company,**
Schenectady, NY (US)

(**) Term: **15 Years**

(21) Appl. No.: **29/548,719**

(22) Filed: **Dec. 16, 2015**

(51) **LOC (10) Cl.** **13-03**

(52) **U.S. Cl.**
USPC **D13/147; D13/154**

(58) **Field of Classification Search**
USPC **D13/146, 147, 154, 184, 199**
See application file for complete search history.

(56) **References Cited**

U.S. PATENT DOCUMENTS

D742,328 S	11/2015	Murphy et al.
D743,341 S	11/2015	Jiang et al.
D743,896 S	11/2015	Murphy et al.
D743,897 S	11/2015	Krivosnak et al.
D743,898 S	11/2015	Murphy et al.
D743,899 S	11/2015	Murphy et al.

D743,901 S	11/2015	Murphy et al.
D743,902 S	11/2015	Murphy et al.
D743,903 S	11/2015	Krivosnak et al.
D743,910 S	11/2015	Murphy et al.
D743,911 S	11/2015	Murphy et al.
2011/0235276 A1*	9/2011	Hentschel H01L 23/473 361/699
2012/0208410 A1*	8/2012	Ikeda H01M 2/206 439/883
2012/0217032 A1*	8/2012	Beaupre H02G 5/005 174/32

* cited by examiner

Primary Examiner — Daniel Bui

(74) *Attorney, Agent, or Firm* — GE Global Patent Operation

(57) **CLAIM**

The ornamental design for a busbar, as shown and described.

DESCRIPTION

FIG. 1 is a first perspective view of a busbar showing our new design;

FIG. 2 is a second perspective view thereof;

FIG. 3 is a top view thereof;

FIG. 4 is a bottom view thereof;

FIG. 5 is a first side view thereof;

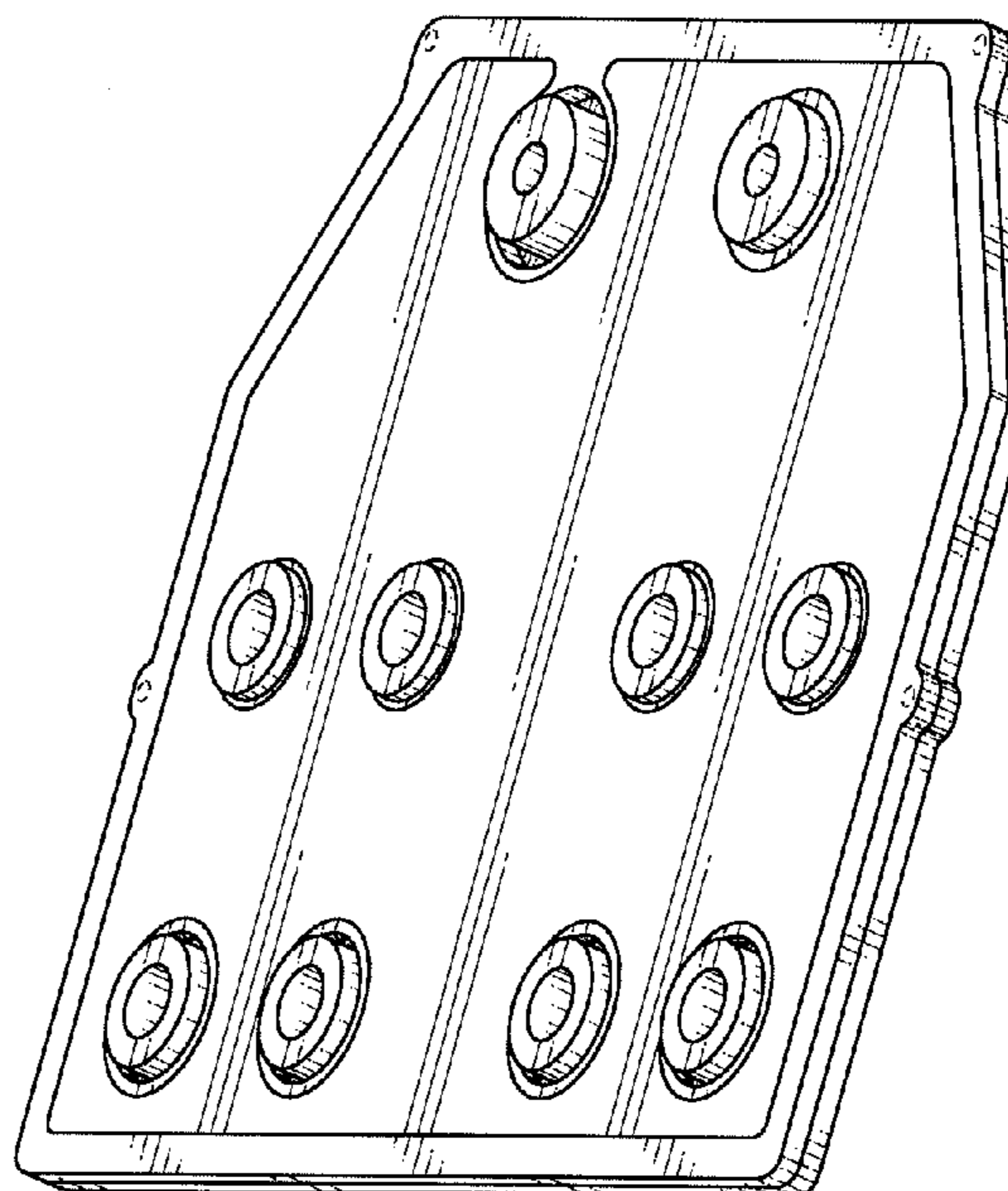
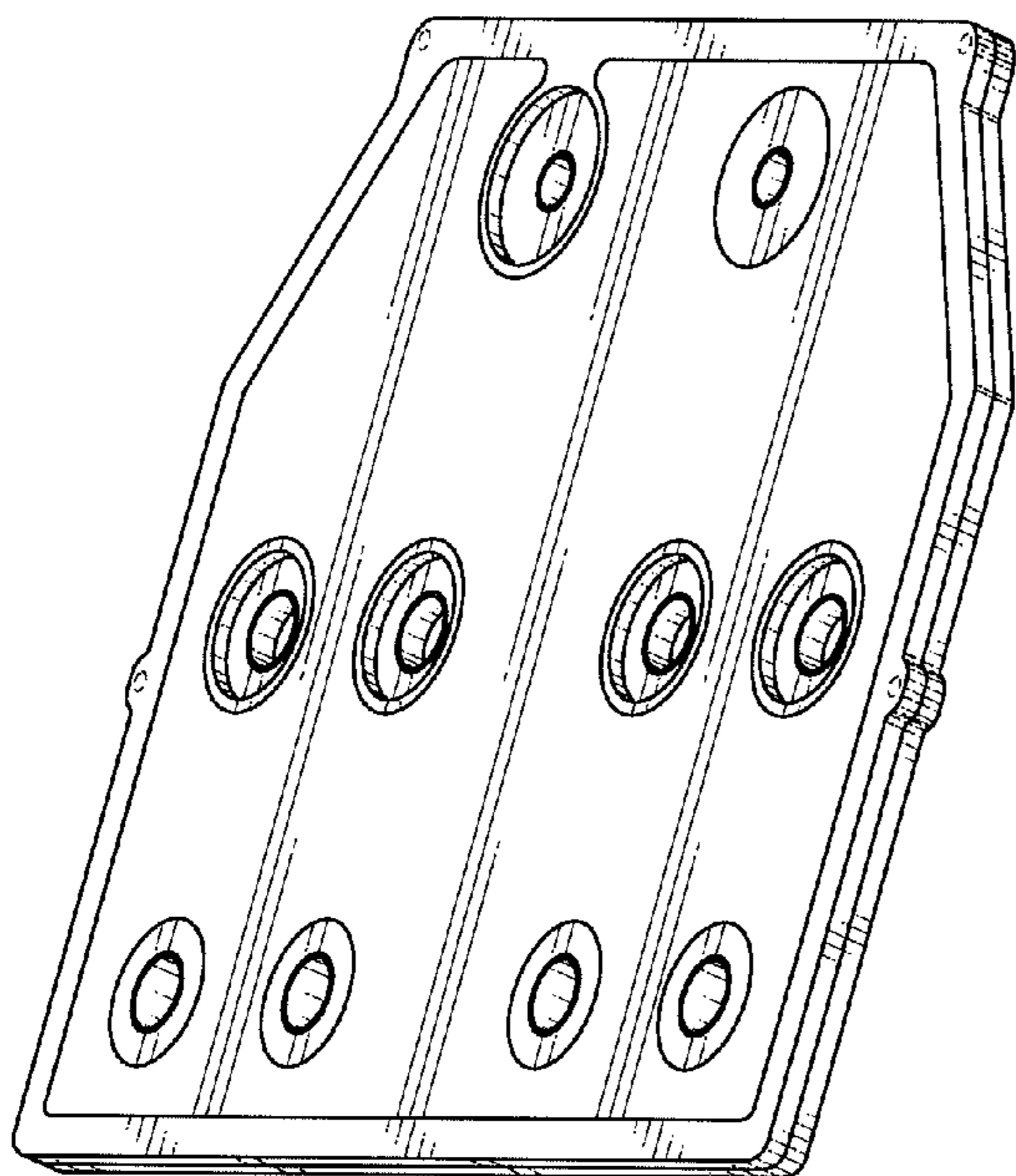
FIG. 6 is a second side view thereof;

FIG. 7 is a front view thereof; and,

FIG. 8 is a rear view thereof;

The broken line portion of the figures is included to show unclaimed subject matter only and forms no part of the claimed designs.

1 Claim, 3 Drawing Sheets



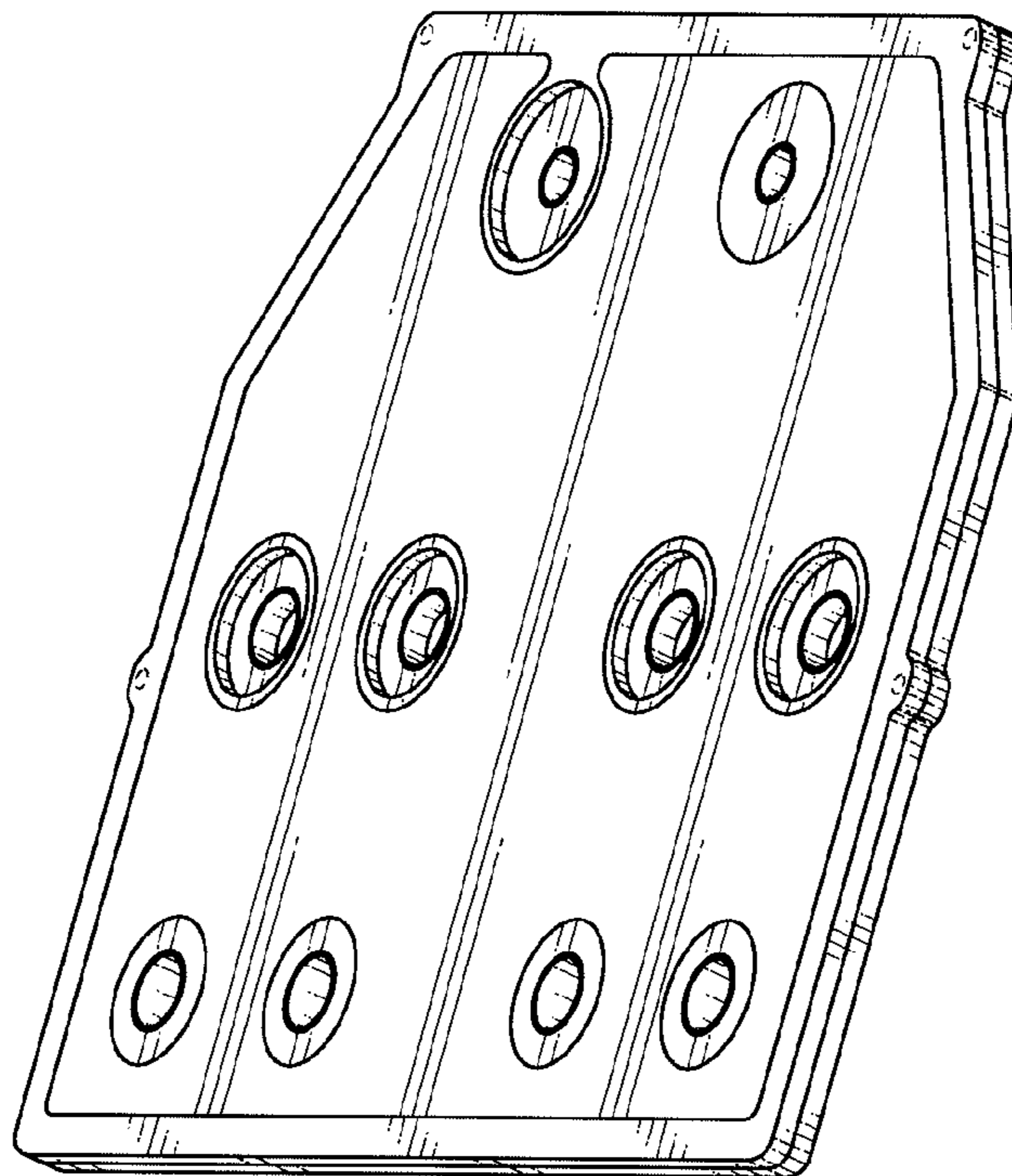


FIG. 1

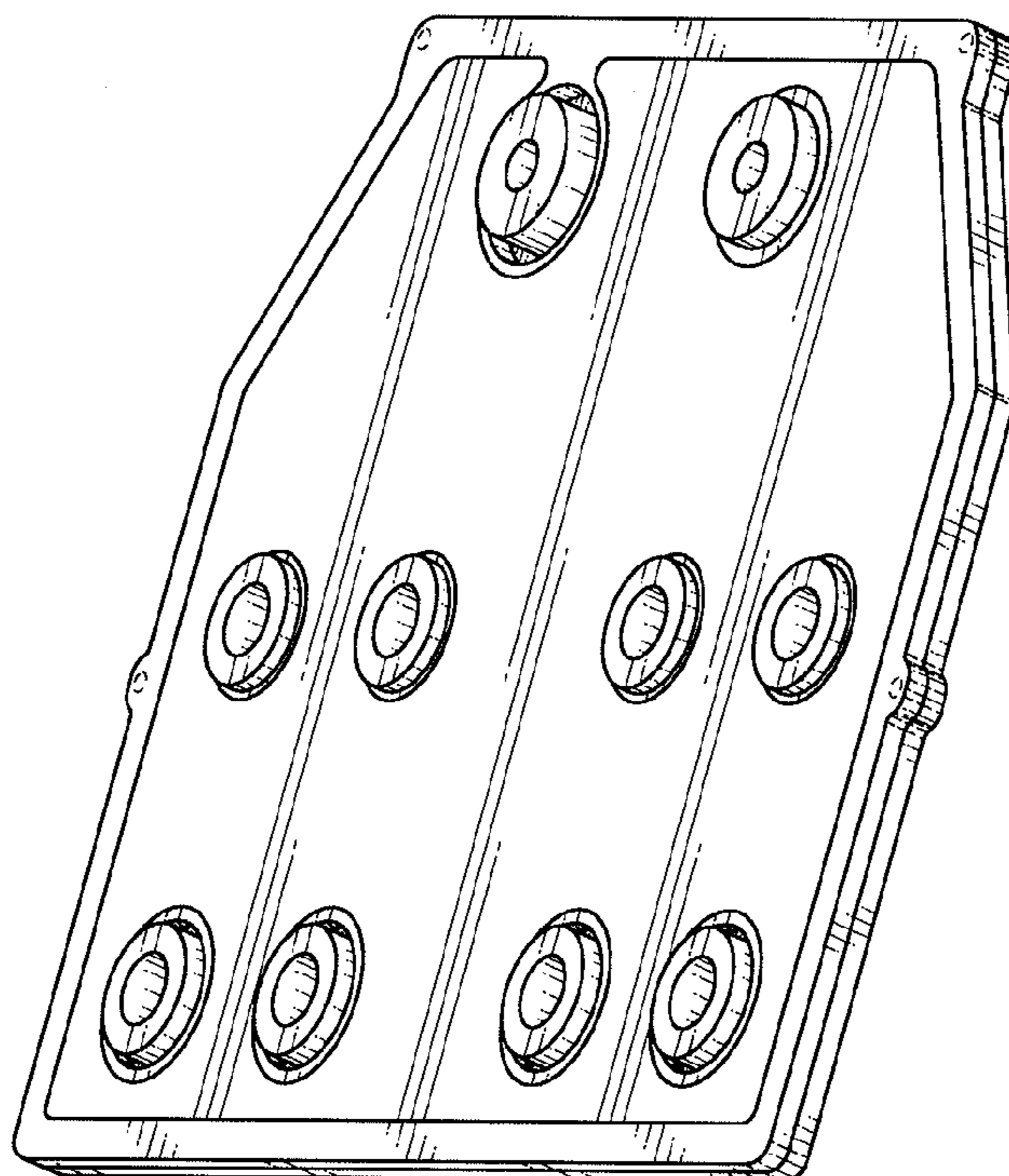


FIG. 2

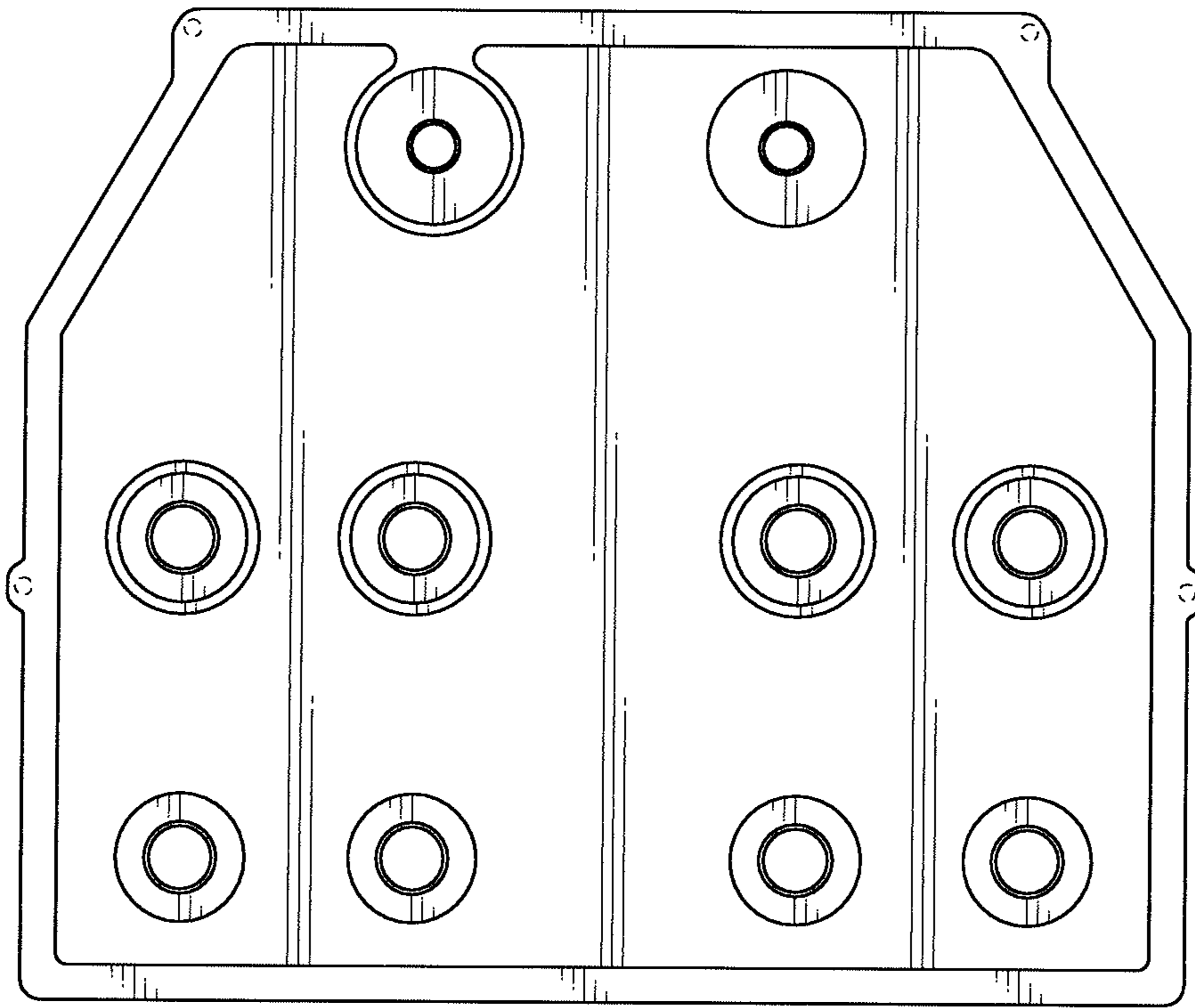


FIG. 3

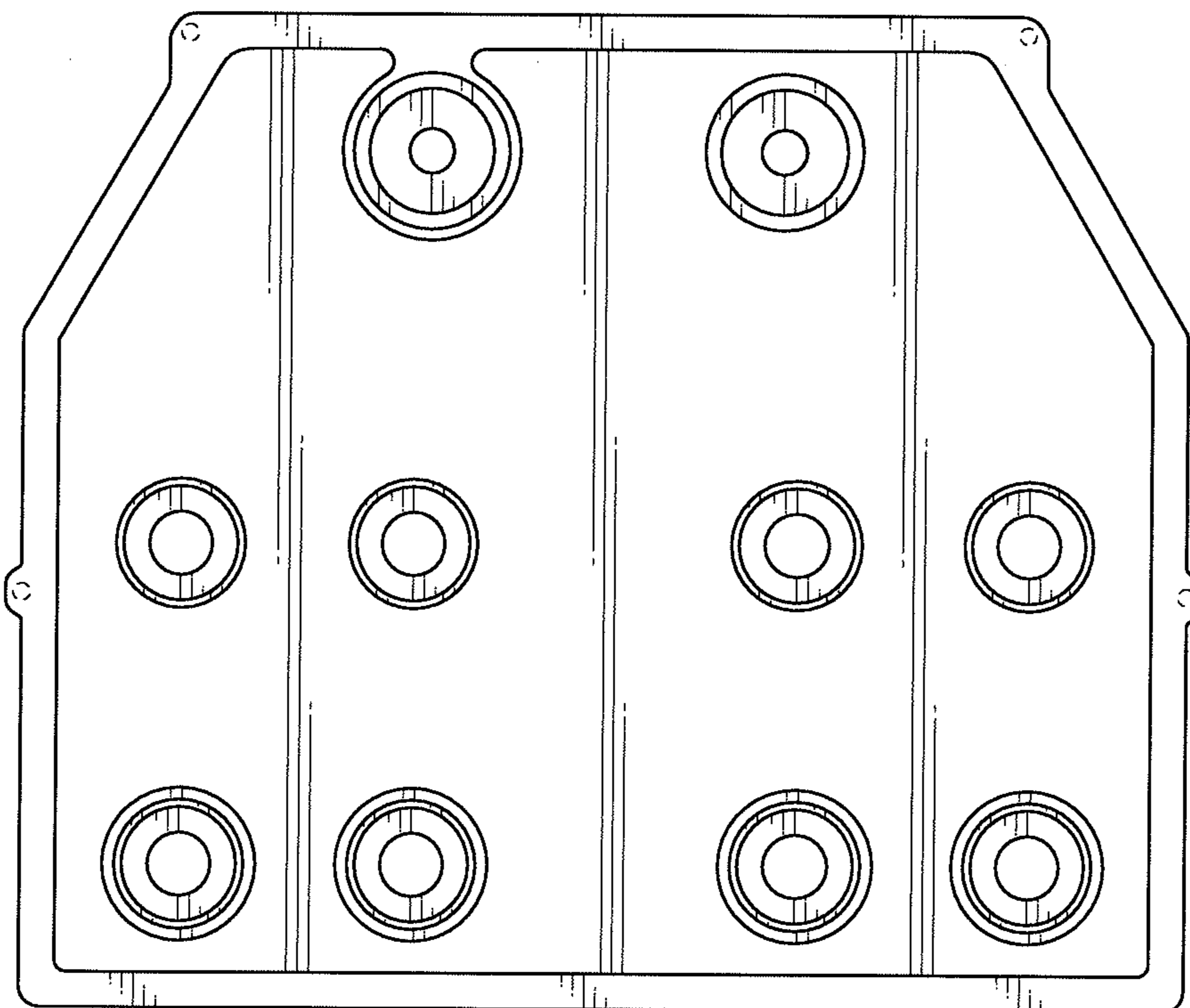


FIG. 4



FIG. 5

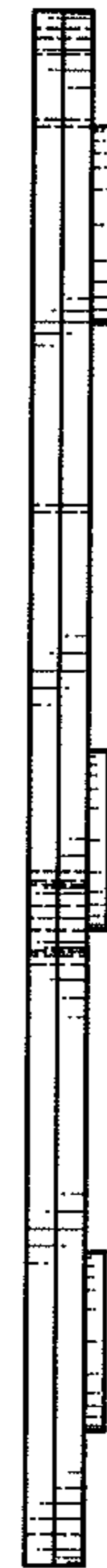


FIG. 6

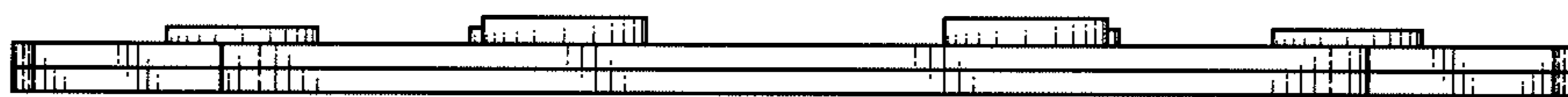


FIG. 7

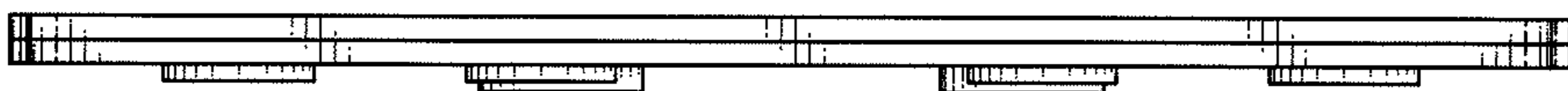


FIG. 8