

US00D759601S

(12) **United States Design Patent**  
**Kobuchi et al.**

(10) **Patent No.:** **US D759,601 S**  
(45) **Date of Patent:** **\*\* Jun. 21, 2016**

(54) **ELECTRICAL CONNECTOR**

(71) Applicant: **Japan Aviation Electronics Industry, Limited**, Tokyo (JP)  
(72) Inventors: **Toshiro Kobuchi**, Tokyo (JP); **Yoshinori Honma**, Tokyo (JP); **Takayuki Nishimura**, Tokyo (JP); **Hiroaki Obikane**, Tokyo (JP)  
(73) Assignee: **Japan Aviation Electronics Industry, Limited**, Tokyo (JP)

(\*\*) Term: **15 Years**

(21) Appl. No.: **29/543,272**

(22) Filed: **Oct. 22, 2015**

**Related U.S. Application Data**

(62) Division of application No. 29/511,622, filed on Dec. 12, 2014, now Pat. No. Des. 745,462.

(30) **Foreign Application Priority Data**

Jun. 30, 2014 (JP) ..... 2014-014359

(51) **LOC (10) Cl.** ..... **13-03**

(52) **U.S. Cl.**  
USPC ..... **D13/147**

(58) **Field of Classification Search**  
USPC ..... D13/133, 147, 153, 154, 184, 199  
See application file for complete search history.

(56) **References Cited**

U.S. PATENT DOCUMENTS

D589,898 S	4/2009	Chen	
D603,799 S	11/2009	Obikane et al.	
D641,705 S	7/2011	Sato et al.	
D642,531 S	8/2011	Nishimura et al.	
D642,534 S	8/2011	Nishimura	
D681,557 S	5/2013	Miyazaki	
D684,541 S	6/2013	Miyazaki	
D684,932 S	6/2013	Nishimura et al.	
D695,692 S	12/2013	Takanaga et al.	
D733,058 S	6/2015	Miyazaki	
D737,781 S	9/2015	Yoshioka	
D738,316 S	9/2015	Yoshioka	
D745,462 S	* 12/2015	Kobuchi	..... D13/147

\* cited by examiner

*Primary Examiner* — Daniel Bui  
(74) *Attorney, Agent, or Firm* — Cermak Nakajima & McGowan LLP; Tomoko Nakajima

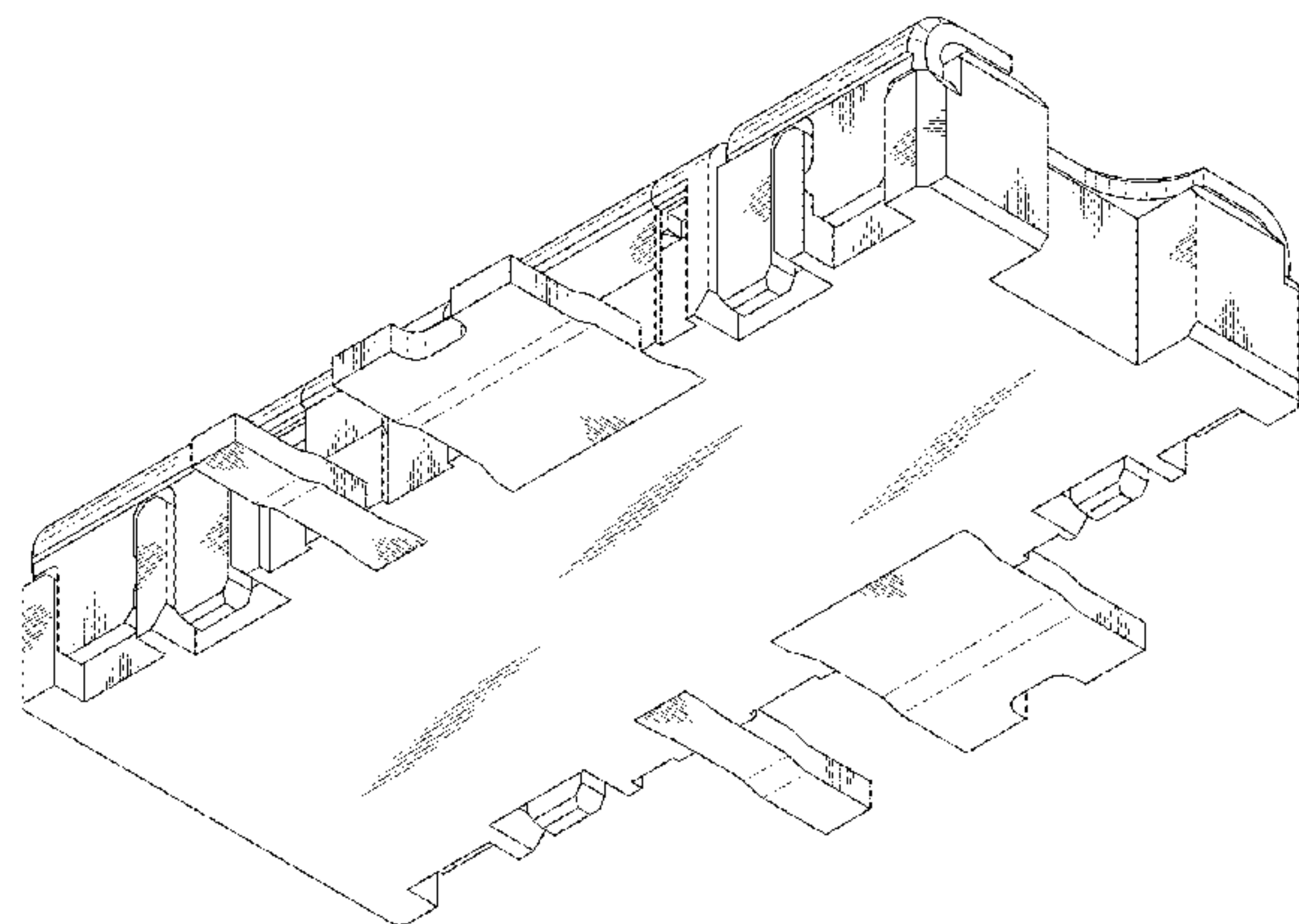
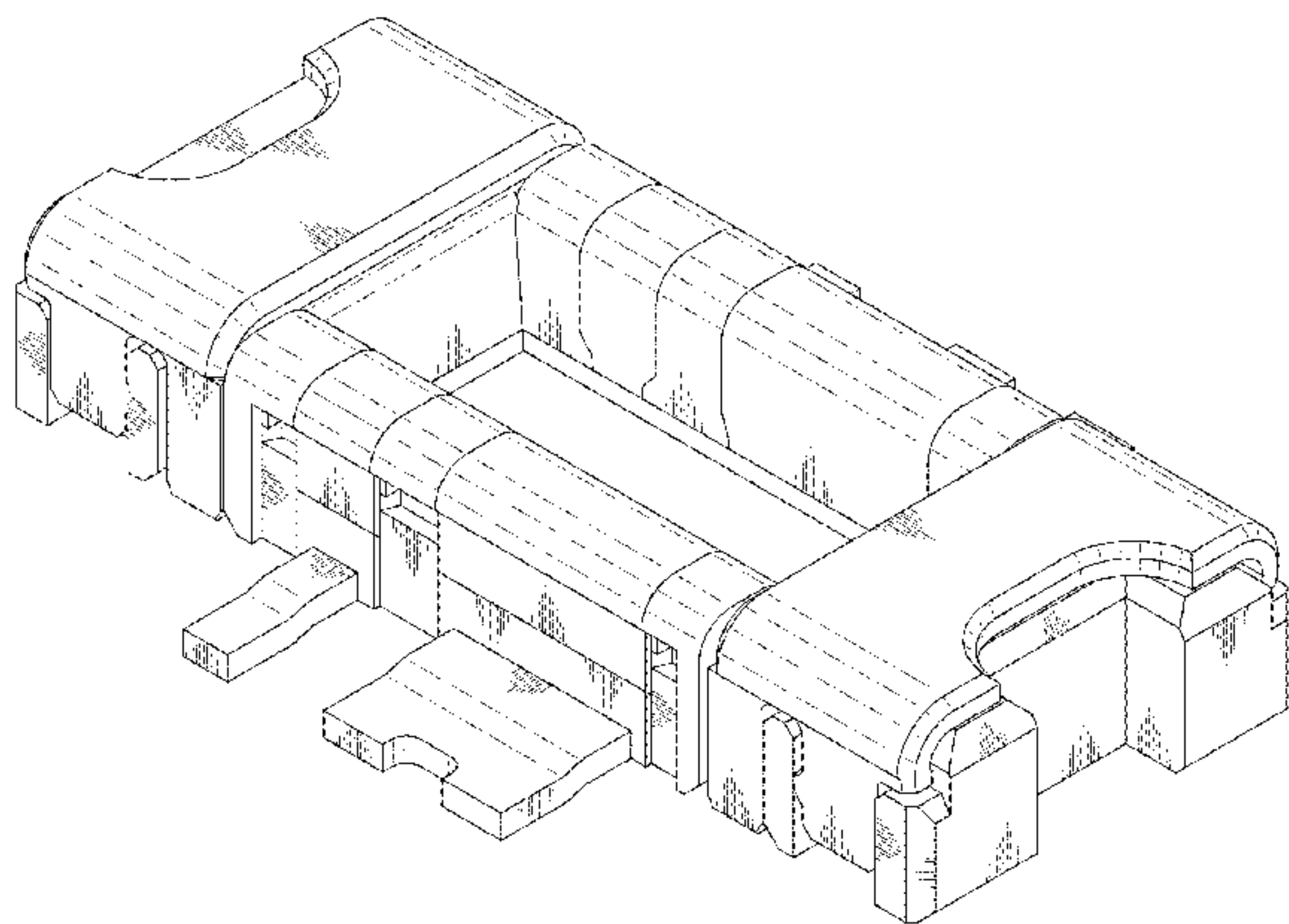
(57) **CLAIM**

The ornamental design for an electrical connector, as shown.

**DESCRIPTION**

FIG. 1 is a front elevational view of an electrical connector showing our new design;  
FIG. 2 is a top plan view thereof;  
FIG. 3 is a right side elevational view thereof;  
FIG. 4 is a left side elevational view thereof;  
FIG. 5 is a rear elevational view thereof; and  
FIG. 6 is a bottom plan view thereof.  
FIG. 7 is a front and top perspective view thereof;  
FIG. 8 is a front and bottom perspective view thereof;  
FIG. 9 is a rear and top perspective view thereof; and  
FIG. 10 is a rear and bottom perspective view thereof.

**1 Claim, 10 Drawing Sheets**



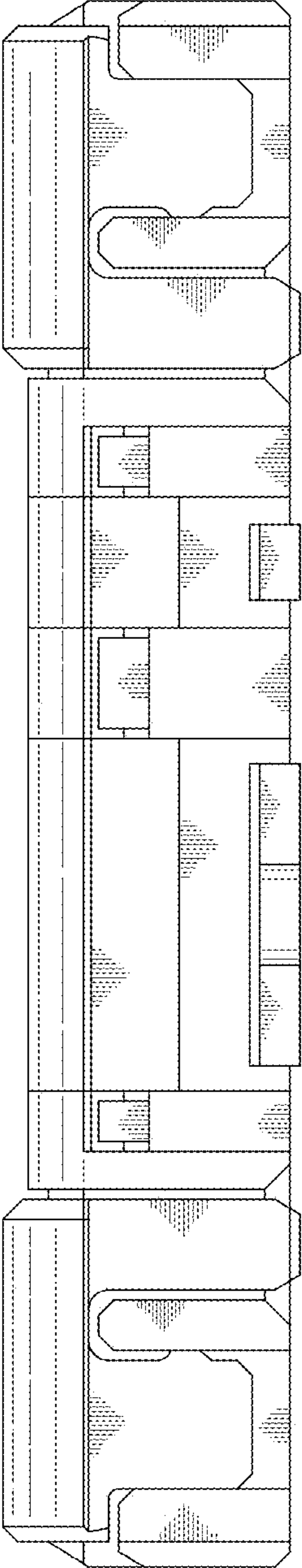


FIG.1

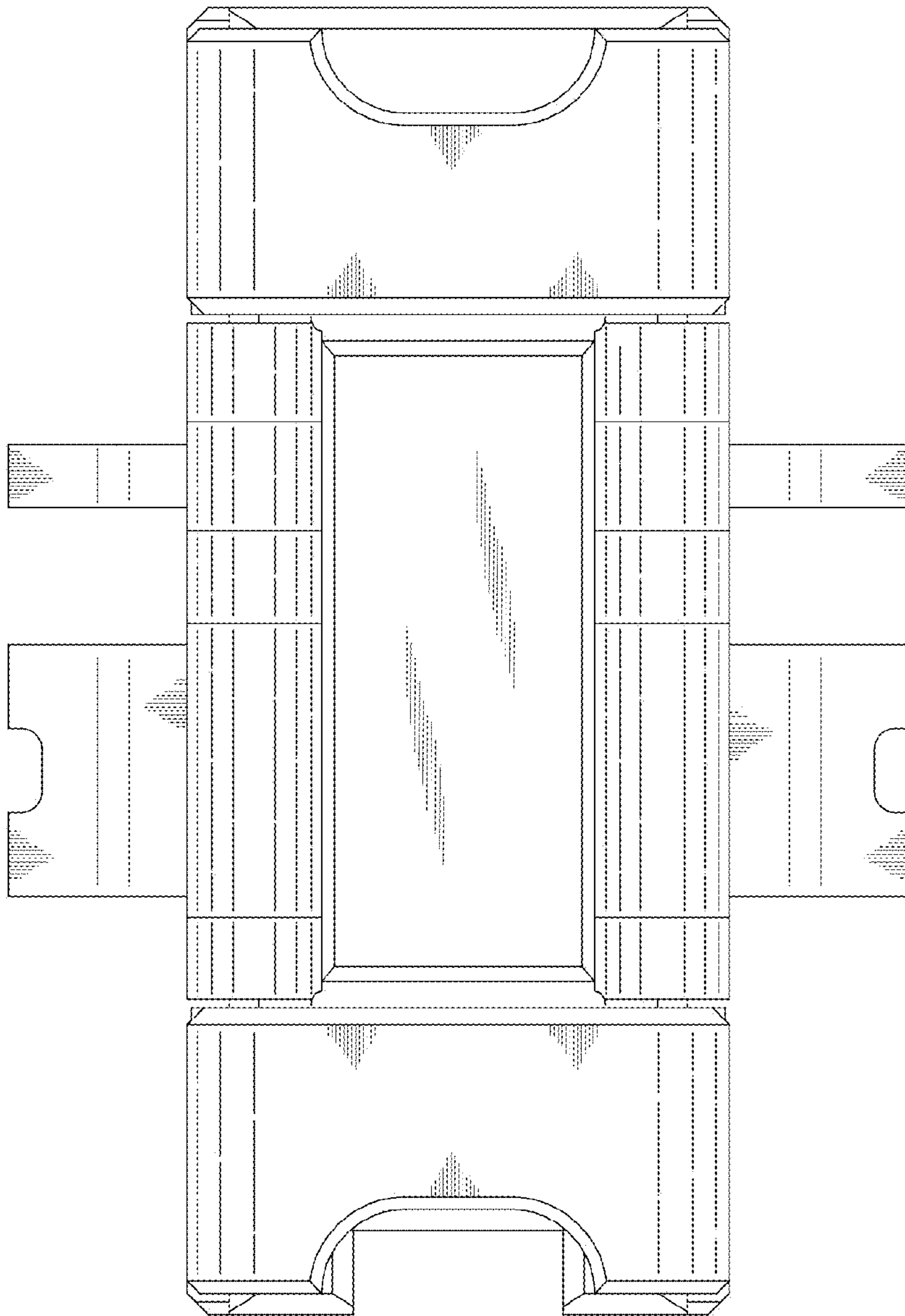


FIG.2

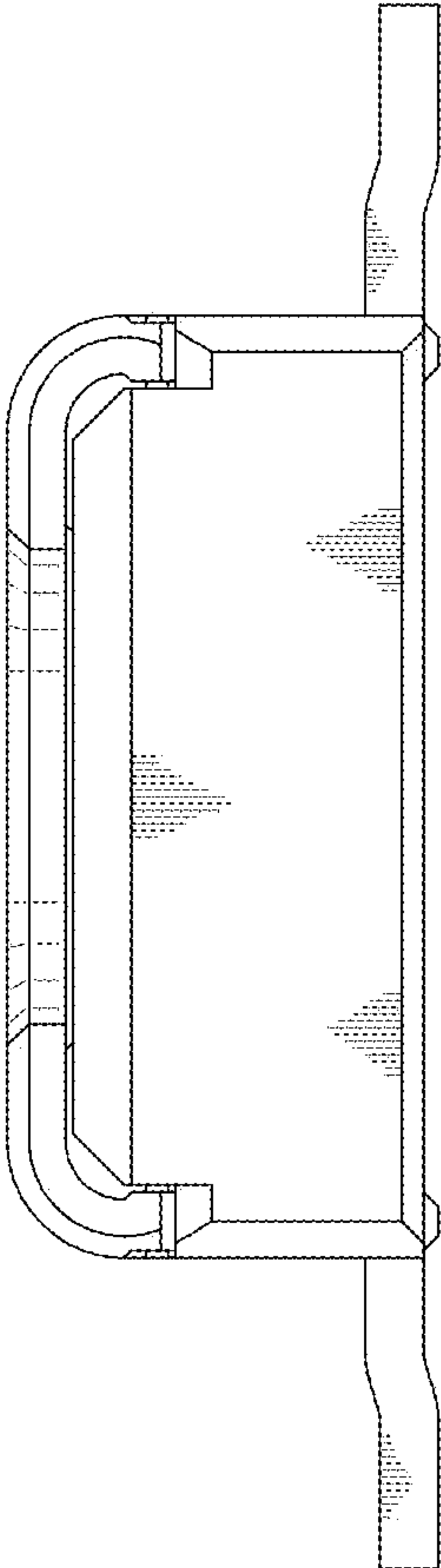


FIG.3

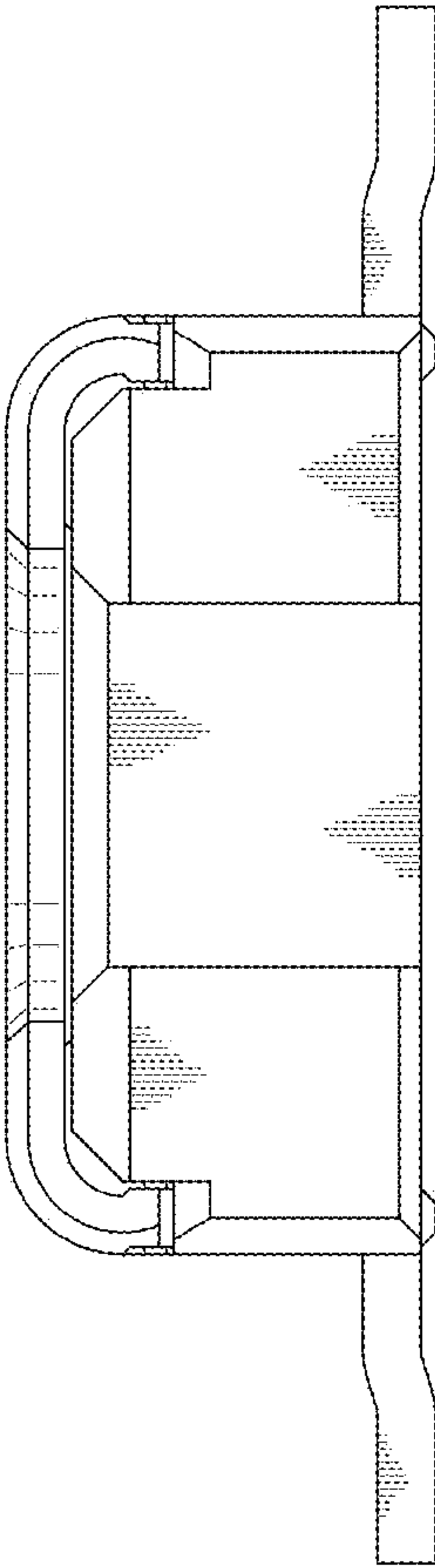


FIG.4

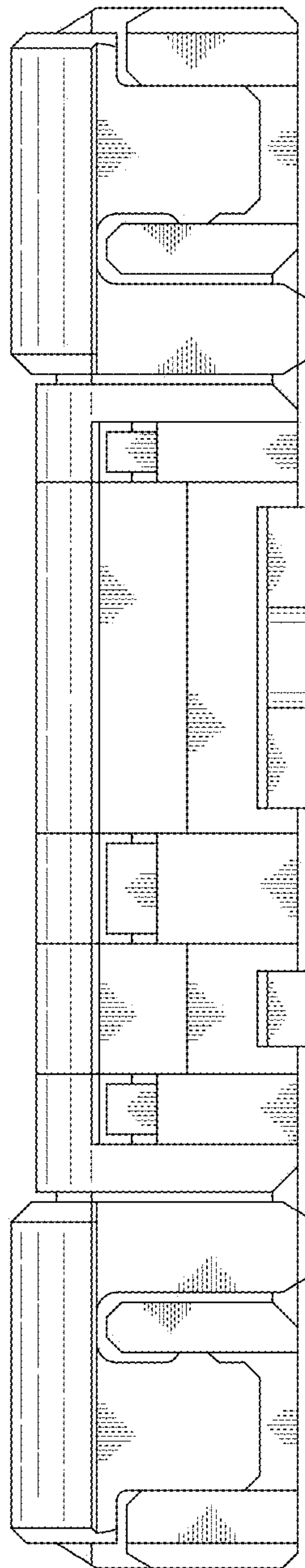


FIG. 5



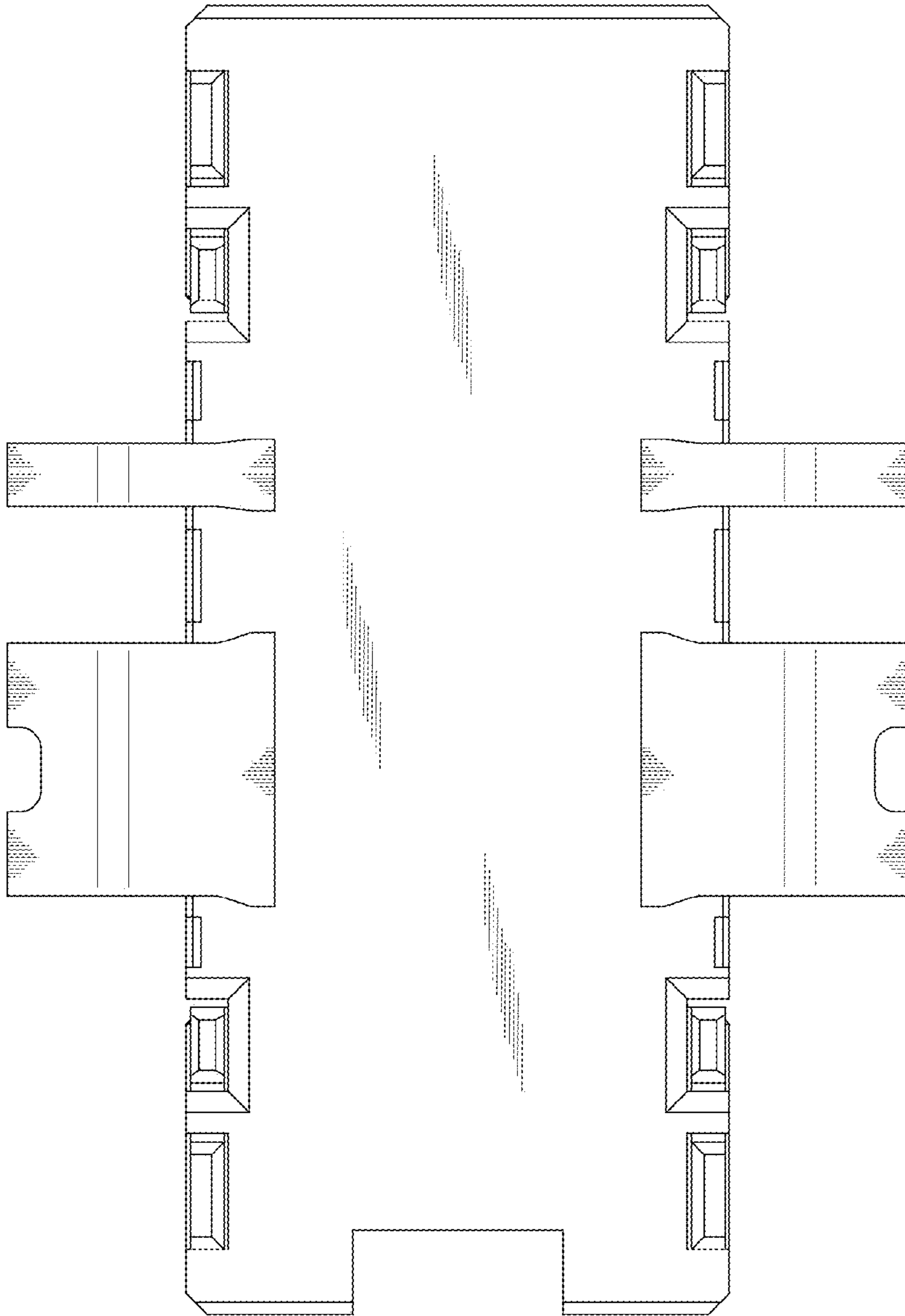


FIG.6

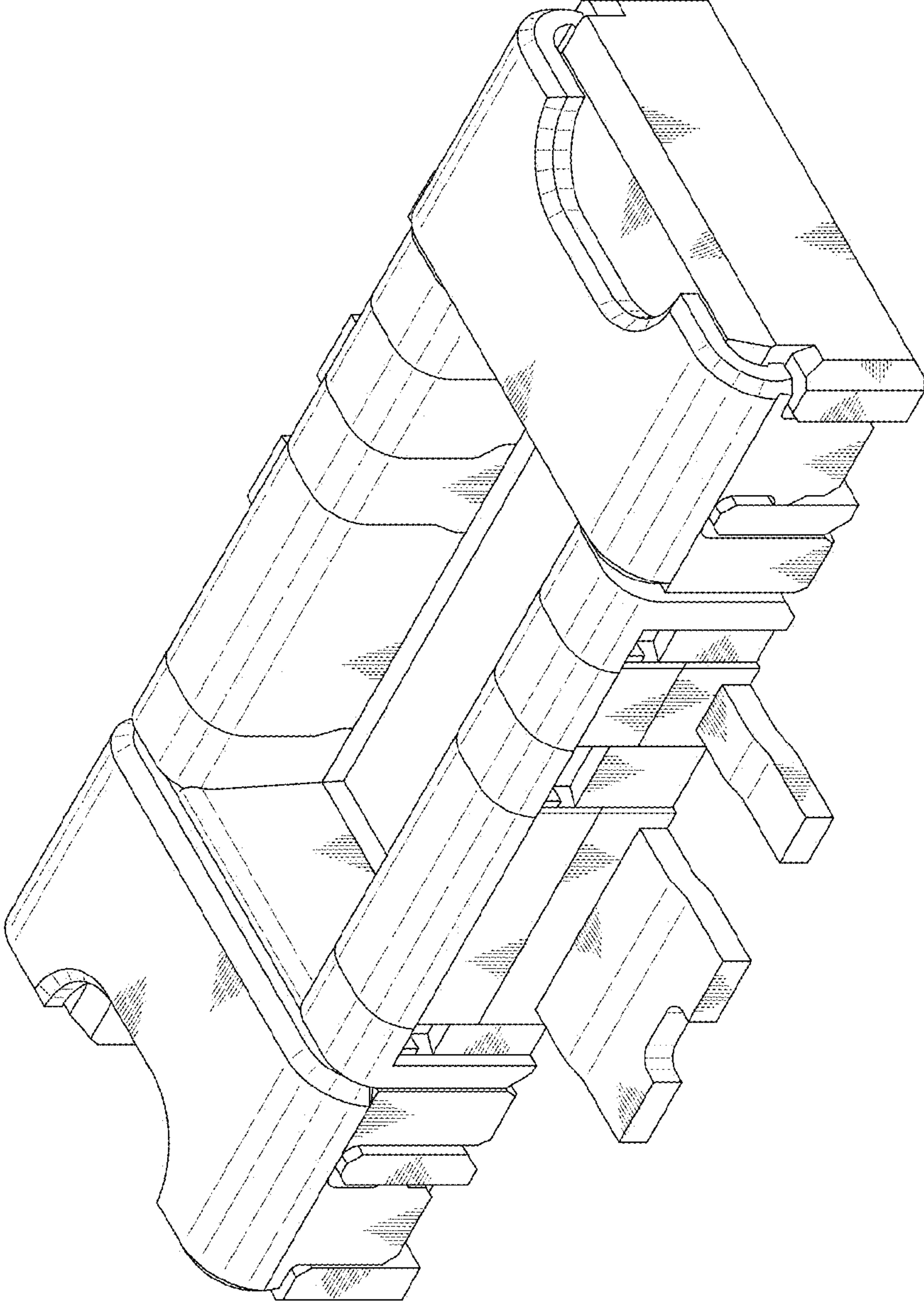


FIG.7



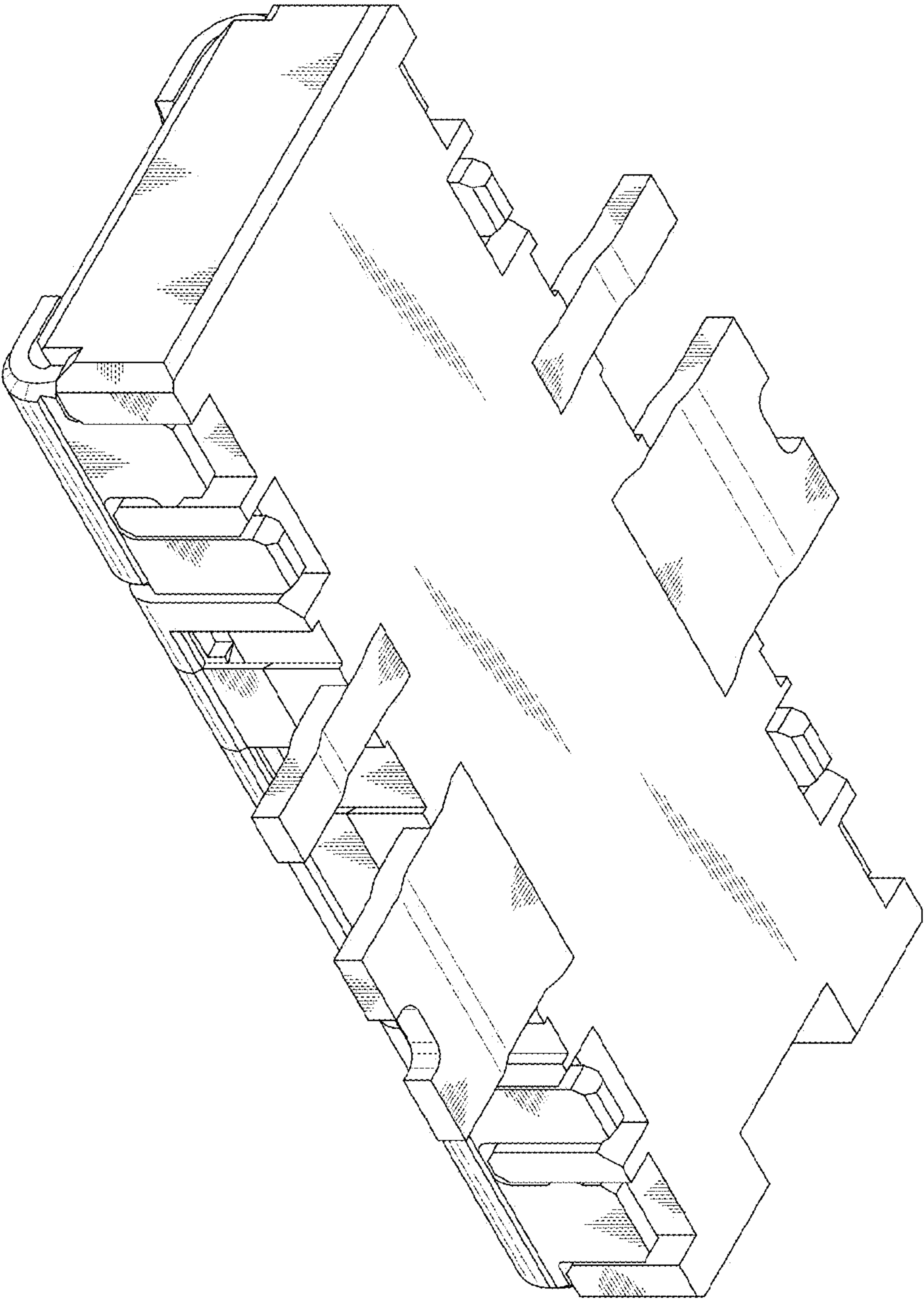


FIG.8

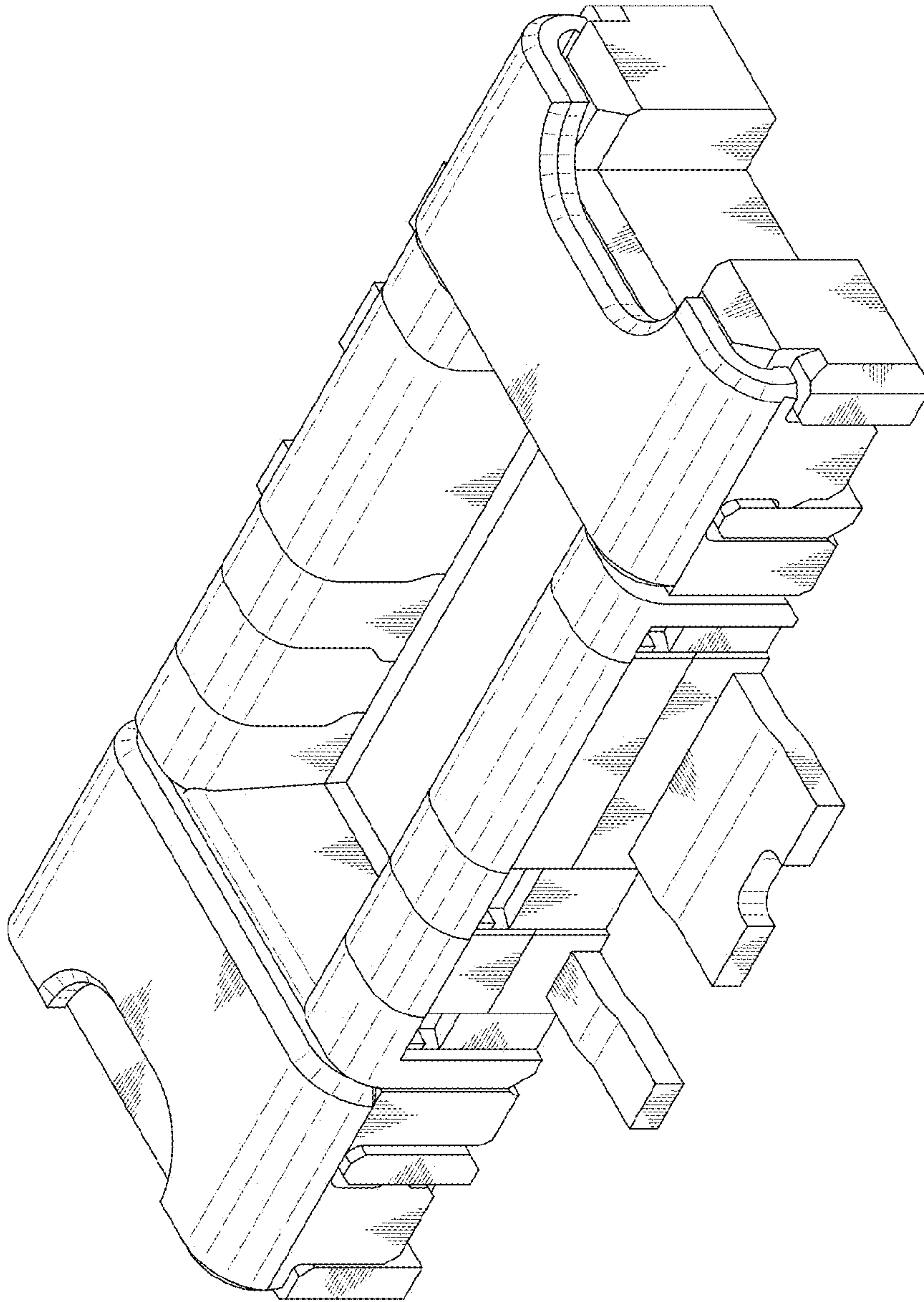


FIG. 9

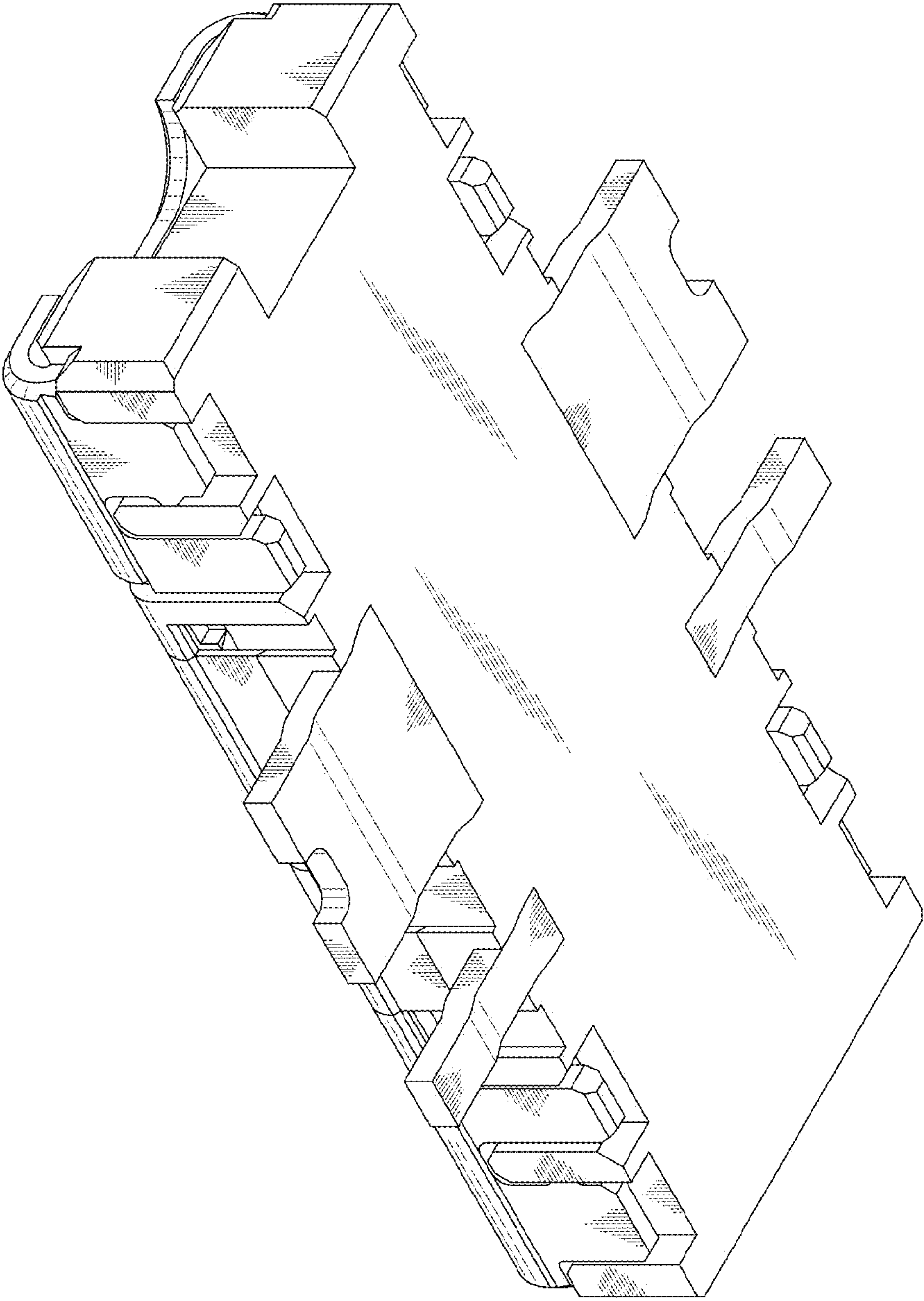


FIG.10