



US00D759600S

(12) **United States Design Patent**
Takemoto

(10) **Patent No.:** **US D759,600 S**
(45) **Date of Patent:** **** Jun. 21, 2016**

(54) **ELECTRICAL CONNECTOR**

(71) Applicant: **DAIICHI-SEIKO Co., Ltd.**, Kyoto (JP)

(72) Inventor: **Masatoshi Takemoto**, Tokyo (JP)

(73) Assignee: **DAIICHI-SEIKO CO., LTD.**, Kyoto
(JP)

(**) Term: **14 Years**

(21) Appl. No.: **29/526,431**

(22) Filed: **May 8, 2015**

(30) **Foreign Application Priority Data**

Nov. 11, 2014 (JP) 2014-025127

(51) **LOC (10) Cl.** **13-03**

(52) **U.S. Cl.**
USPC **D13/147**

(58) **Field of Classification Search**
USPC D13/118, 120, 133, 146, 147, 154, 184,
D13/199

See application file for complete search history.

(56) **References Cited**

U.S. PATENT DOCUMENTS

D539,225 S *	3/2007	Kishi	D13/147
D561,697 S *	2/2008	Chen	D13/147
D642,535 S *	8/2011	Sato	D13/147
D684,120 S *	6/2013	Miyazaki	D13/147
D688,210 S *	8/2013	Mashiyama	D13/147
D739,826 S *	9/2015	Omodachi	D13/147

* cited by examiner

Primary Examiner — Daniel Bui

(74) *Attorney, Agent, or Firm* — K&L Gates, LLP; Louis Cullman; Georgia Kefallinos

(57) **CLAIM**

The ornamental design for an electrical connector, as shown and described.

DESCRIPTION

FIG. 1 is a front elevation view of an electrical connector showing my design;
FIG. 2 is a back elevation view thereof;
FIG. 3 is a first side elevation view thereof;
FIG. 4 is a second side elevation view thereof;
FIG. 5 is a top plan view thereof;
FIG. 6 is a bottom plan view thereof;
FIG. 7 is a top perspective view thereof; and,
FIG. 8 is a bottom perspective view thereof.

1 Claim, 4 Drawing Sheets

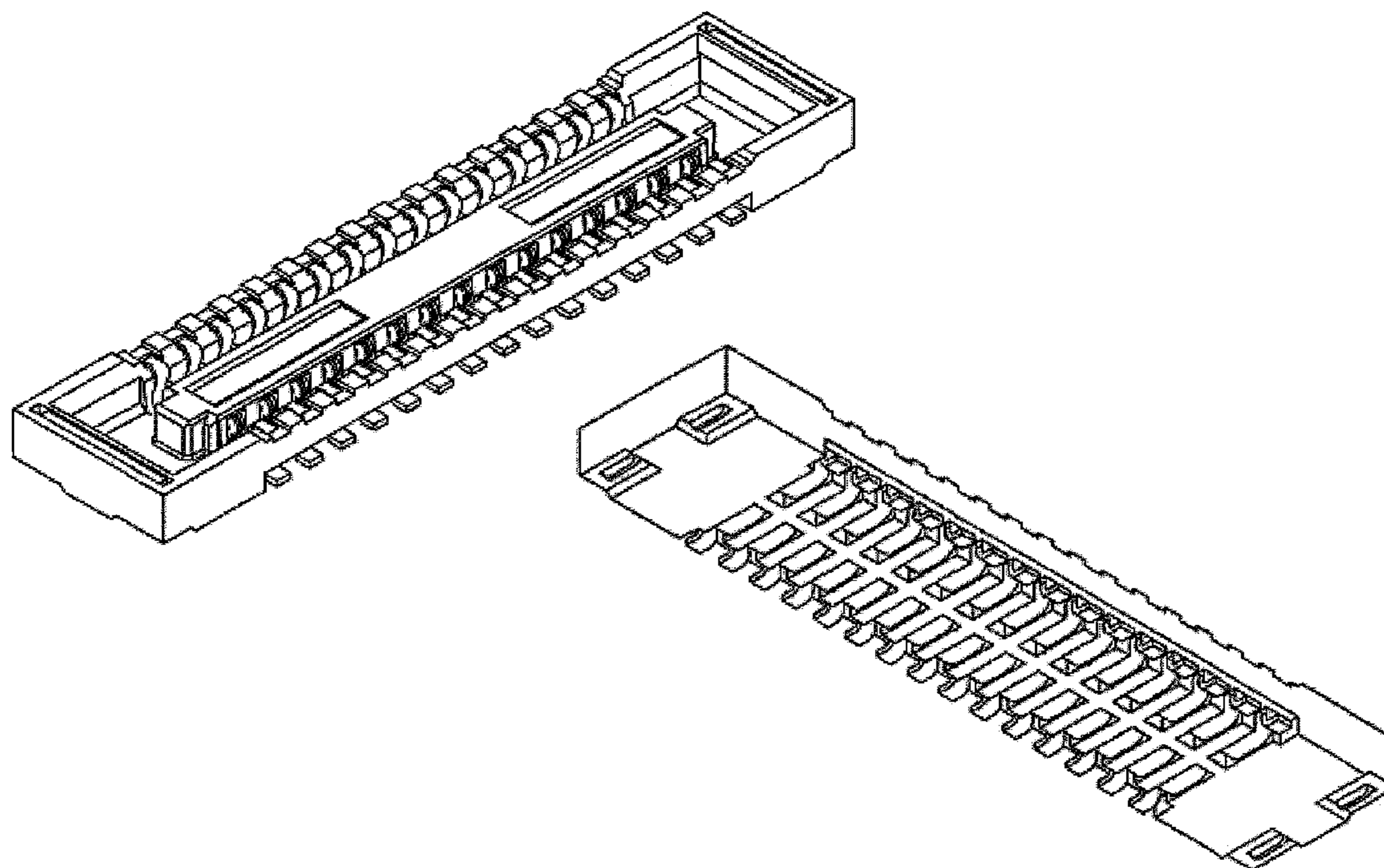


FIG. 1

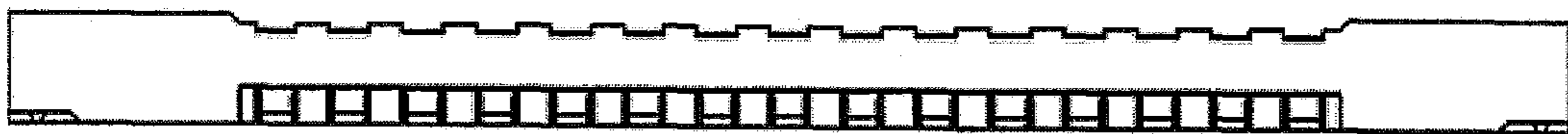


FIG. 2



FIG. 3



FIG. 4



FIG. 5

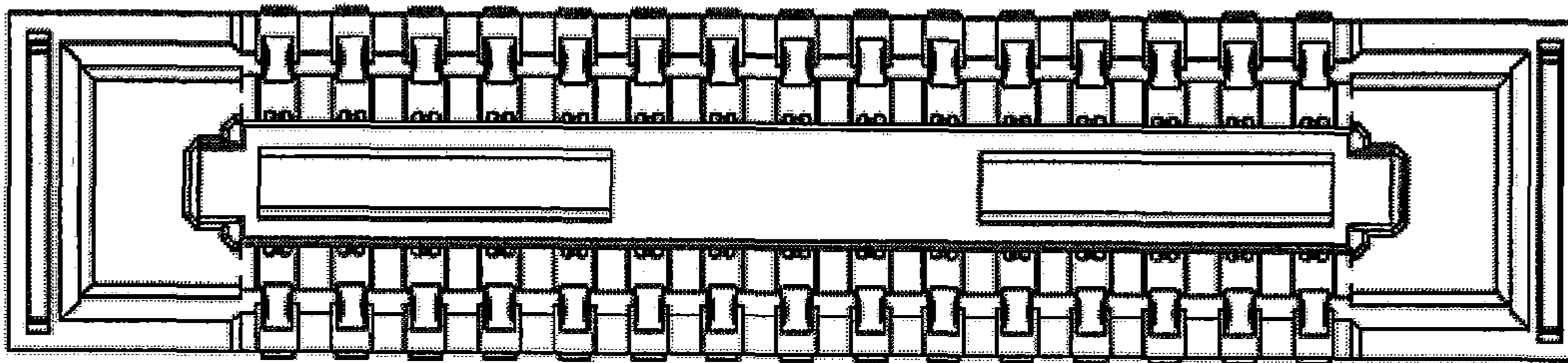


FIG. 6

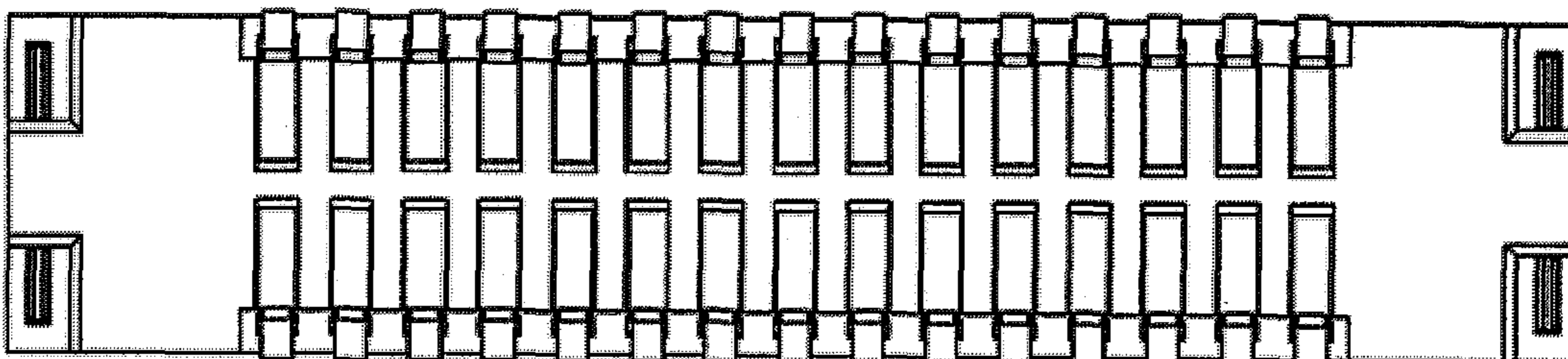


FIG. 7

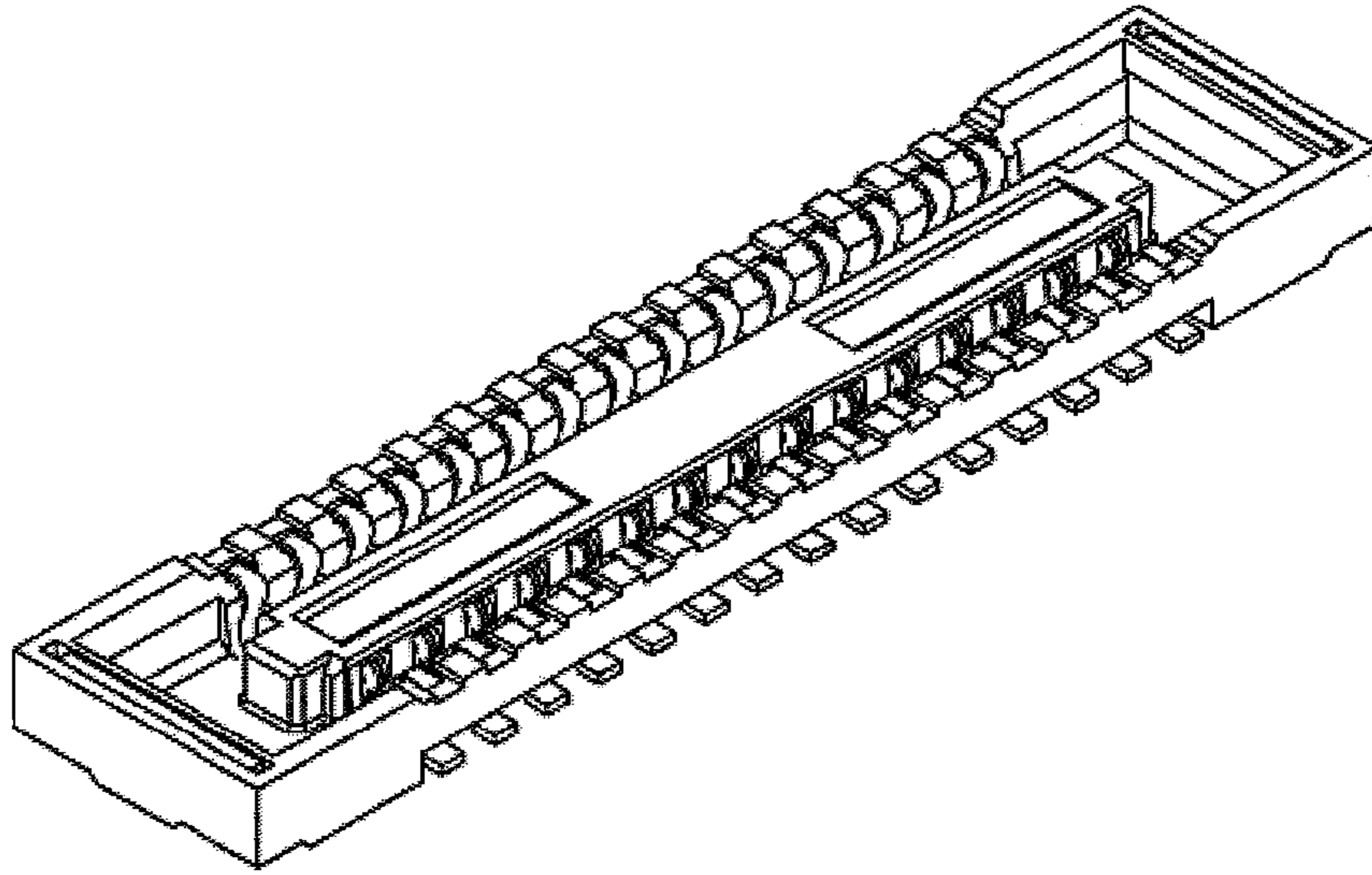


FIG. 8

